

|       |      |    |    |              |              |     |              |            |
|-------|------|----|----|--------------|--------------|-----|--------------|------------|
| Model | Year | MG | SG | Illustration | Restrictions | UPD | 18:04        | 30.01.2010 |
| 914   | 1976 | 0  | 01 | 001-00       |              | 248 | USA / CANADA |            |

| Pos | Part Number      | Description                            | Remark | Qty | Model |
|-----|------------------|--|--------|-----|-------|
|     |                  | tool<br>jack                           |        |     |       |
| >>  | >>914 721 001 10 | tool bag<br>comprising:                |        | 1   | 914-6 |
| -   | --- --- --- --   | tool bag                               |        | 1   |       |
| -   | 477 012 203 A    | spark plug wrench                      |        | 1   |       |
| -   | 477 012 227      | angular screw driver                   |        | 1   |       |
| -   | 999 571 045 02   | rim wrench                             |        | 1   |       |
| -   | 999 195 011 02   | double-end spanner<br>8 X 9 / 110 MM   |        | 1   |       |
| -   | 999 195 012 02   | double-end spanner<br>10 X 11 / 126 MM |        | 1   |       |
| -   | 999 195 007 02   | double-end spanner<br>12 X 13 / 140 MM |        | 1   |       |
| -   | 999 195 015 02   | double-end spanner<br>17 X 19 / 187 MM |        | 1   |       |
| -   | 999 195 014 02   | double-end spanner<br>14 X 15 / 157 MM |        | 1   |       |
| -   | 999 571 017 02   | ring wrench<br>22 X 19                 |        | 1   |       |
| -   | 999 191 002 02   | screwdriver                            |        | 1   |       |
| -   | 900 137 001 02   | phillips screwdriver<br>B 2            |        | 1   |       |
| -   | 999 107 003 02   | universal pliers                       |        | 1   |       |
| -   | 999 192 176 50   | narrow v-belt<br>9,5 X 710             |        | 1   |       |
| -   | 914 721 013 10   | bag<br>with<br>lock<br>fuse            |        | 1   |       |
| -   | --- --- --- --   | bag<br>plastic material                |        | 1   |       |
| -   | N 017 121 1      | safety fuse<br>8                       |        | 1   |       |
| -   | N 017 121 5      | safety fuse<br>25                      |        | 1   |       |
| -   | 911 721 702 00   | key<br>for<br>v-belt pulley            |        | 1   |       |

|       |      |    |    |              |              |     |              |            |
|-------|------|----|----|--------------|--------------|-----|--------------|------------|
| Model | Year | MG | SG | Illustration | Restrictions | UPD | 18:04        | 30.01.2010 |
| 914   | 1976 | 0  | 01 | 001-00       |              | 248 | USA / CANADA |            |

| Pos | Part Number     | Description  | Remark   | Qty | Model        |
|-----|-----------------|--|----------|-----|--------------|
| >>  | >>411 012 021   | tool bag<br>comprising:  |          | 1   | 914-4        |
| -   | 311 012 205 A   | socket wrench<br>for<br>wheel bolt                               |          | 1   |              |
| -   | 111 012 221     | socket wrench<br>with<br>handle                                  |          | 1   |              |
| -   | 343 012 221     | spark plug wrench<br>with<br>handle                              |          | 1   |              |
| -   | N 030 055 1     | double socket wrench<br>8 X 13                                   |          | 1   |              |
| -   | 251 012 243     | hook<br>for<br>hub cap   |          | 1   |              |
| -   | 111 012 255     | screwdriver<br>for<br>slotted screw<br>and<br>cross-recess screw |          | 1   |              |
| -   | 411 012 201 A   | socket wrench<br>for<br>spark plug                               |          | 1   |              |
| >>  | >>111 012 021 B | tool bag<br>comprising:  | /1,8/2,0 | 1   | 914-1,7/1,8V |
| -   | 111 012 219     | socket wrench<br>for<br>wheel bolt                               | /1,8/2,0 | 1   | 914-1,7/1,8V |
| -   | 111 012 221     | socket wrench<br>with<br>handle                                  | /1,8/2,0 | 1   | 914-1,7/1,8V |
| -   | N 030 057 1     | double-end spanner<br>10 X 13                                    | /1,8/2,0 | 1   | 914-1,7/1,8V |
| -   | 251 012 243     | hook<br>for<br>hub cap   | /1,8/2,0 | 1   | 914-1,7/1,8V |
| -   | 111 012 255     | screwdriver<br>for<br>slotted screw<br>cross-recess screw        | /1,8/2,0 | 1   | 914-1,7/1,8V |
| -   | 914 721 011 10  | jack   |          | 1   |              |
| -   | 914 721 111 10  | rubber ring<br>for<br>jack                                       |          | 1   |              |

PORSCHE

PET

PORSCHE

|       |      |    |    |              |              |     |              |            |
|-------|------|----|----|--------------|--------------|-----|--------------|------------|
| Model | Year | MG | SG | Illustration | Restrictions | UPD | 18:04        | 30.01.2010 |
| 914   | 1976 | 0  | 01 | 001-00       |              | 248 | USA / CANADA |            |

| Pos | Part Number      | Description                                   | Remark   | Qty | Model        |
|-----|------------------|---|----------|-----|--------------|
| -   | 914 722 021 10   | bracket<br>for<br>jack                        | /1,8/2,0 | 2   | 914-1,7/1,8V |
| -   | 914 722 105 10   | towing lug                                    |          | 1   |              |
| -   | 914 722 015 10   | bag<br>for<br>key                             |          | 1   |              |
| -   | 000 061 371      | floor mats                                    |          | 1   | 914-4        |
| >>  | >>914 721 008 10 | bag<br>comprising:                            |          | 1   | 914-6        |
| -   | 914 721 013 10   | bag<br>with<br>lock<br>fuse                   |          | 1   |              |
| -   | 999 170 055 90   | spark plug<br>- bosch -                       |          | 3   |              |
| -   | 901 105 901 50   | set of valve springs<br>inner<br>and<br>outer |          | 1   |              |
| -   | 901 105 901 51   | set of valve springs<br>inner<br>and<br>outer |          | 1   |              |
| -   | 901 105 417 00   | collet<br>divided                             |          | 2   |              |
| -   | 911 104 193 03   | valve stem seal<br>valve                      |          | 1   |              |
| -   | 901 105 370 02   | adjusting screw<br>valve                      |          | 2   |              |
| -   | 999 034 005 00   | hexagon nut                                   |          | 2   |              |
| -   | 911 107 176 01   | magnetic screw                                |          | 1   |              |
| -   | 900 123 011 30   | sealing ring<br>A 22 X 27                     |          | 1   |              |
| -   | 930 101 391 01   | gasket<br>for<br>oil strainer                 |          | 2   |              |
| -   | 901 609 309 00   | screened connector<br>ignition lead           |          | 2   |              |
| -   | 901 108 948 01   | gasket set<br>for<br>mixture control unit     |          | 1   |              |

|       |      |    |    |              |              |     |              |            |
|-------|------|----|----|--------------|--------------|-----|--------------|------------|
| Model | Year | MG | SG | Illustration | Restrictions | UPD | 18:04        | 30.01.2010 |
| 914   | 1976 | 0  | 01 | 001-00       |              | 248 | USA / CANADA |            |

| Pos | Part Number      | Description                                       | Remark | Qty | Model |
|-----|------------------|---|--------|-----|-------|
| -   | 914 423 401 02   | clutch cable                                      |        | 1   |       |
| -   | 901 104 391 01   | cylinder head gasket                              |        | 3   |       |
| -   | 930 105 193 00   | gasket<br>for<br>crankcase<br>and<br>chain case   |        | 1   |       |
| -   | 930 105 191 03   | gasket<br>for<br>lid<br>chain case                | /L     | 1   |       |
| -   | 930 105 192 01   | gasket<br>for<br>lid<br>chain case                | /R     | 1   |       |
| -   | 930 105 194 00   | gasket<br>for<br>lid<br>camshaft housing<br>upper |        | 2   |       |
| -   | 930 105 195 00   | gasket<br>for<br>lid<br>camshaft housing<br>lower |        | 2   |       |
| >>  | >>914 721 007 10 | bag<br>comprising:                                |        | 1   | 914-6 |
| -   | 914 721 902 10   | bag   |        | 1   |       |
| -   | 914 721 013 10   | bag<br>with<br>lock<br>fuse                       |        | 1   |       |
| -   | 999 170 010 91   | spark plug<br>- bosch -                           |        | 3   |       |
| -   | 901 105 901 50   | set of valve springs<br>inner<br>and<br>outer     |        | 1   |       |
| -   | 901 105 417 00   | collet<br>divided                                 |        | 2   |       |
| -   | 911 104 193 03   | valve stem seal<br>valve                          |        | 1   |       |
| -   | 901 105 370 02   | adjusting screw<br>valve                          |        | 2   |       |
| -   | 999 034 005 00   | hexagon nut                                       |        | 2   |       |

PORSCHE

# PET

PORSCHE

|       |      |    |    |              |              |     |              |            |
|-------|------|----|----|--------------|--------------|-----|--------------|------------|
| Model | Year | MG | SG | Illustration | Restrictions | UPD | 18:04        | 30.01.2010 |
| 914   | 1976 | 0  | 01 | 001-00       |              | 248 | USA / CANADA |            |

| Pos | Part Number    | Description                                       | Remark | Qty | Model |
|-----|----------------|---|--------|-----|-------|
| -   | 911 107 176 01 | magnetic screw                                    |        | 1   |       |
| -   | 900 123 011 30 | sealing ring<br>A 22 X 27                         |        | 1   |       |
| -   | 901 609 309 00 | screened connector<br>ignition lead               |        | 2   |       |
| -   | 901 108 948 01 | gasket set<br>for<br>mixture control unit         |        | 1   |       |
| -   | 914 423 401 02 | clutch cable                                      |        | 1   |       |
| -   | 930 105 191 03 | gasket<br>cylinder                                |        | 3   |       |
| -   | 901 104 391 01 | cylinder head gasket                              |        | 3   |       |
| -   | 930 105 193 00 | gasket<br>for<br>crankcase<br>and<br>chain case   |        | 1   |       |
| -   | 930 105 191 03 | gasket<br>for<br>lid<br>chain case                | /L     | 1   |       |
| -   | 930 105 192 01 | gasket<br>for<br>lid<br>chain case                | /R     | 1   |       |
| -   | 930 105 194 00 | gasket<br>for<br>lid<br>camshaft housing<br>upper |        | 2   |       |
| -   | 930 105 195 00 | gasket<br>for<br>lid<br>camshaft housing<br>lower |        | 2   |       |

PORSCHE

PET

PORSCHE

|       |      |    |    |              |              |     |              |            |
|-------|------|----|----|--------------|--------------|-----|--------------|------------|
| Model | Year | MG | SG | Illustration | Restrictions | UPD | 18:04        | 30.01.2010 |
| 914   | 1976 | 0  | 01 | 001-05       |              | 248 | USA / CANADA |            |

| Pos | Part Number    | Description  | Remark   | Qty | Model        |
|-----|----------------|--|----------|-----|--------------|
| -   | 901 006 508 00 | stickers<br>sticker<br>for<br>generator<br>and<br>regulator  |          | 1   | SPM          |
| -   | 901 006 509 00 | sticker<br>for<br>ignition point<br>adjustment   |          | 1   | SPM          |
| -   | 901 006 509 02 | sticker<br>for<br>ignition point<br>adjustment   | ) (J) 69 | 1   | SPM: (USA    |
| -   | 901 006 509 03 | sticker<br>for<br>ignition point<br>adjustment   | ) (J) 70 | 1   | SPM: (USA    |
| -   | 901 006 509 06 | sticker<br>for<br>catalytic converter<br>adjustment  |          | 1   | SPM          |
| -   | 901 006 509 09 | sticker<br>for<br>ignition point<br>adjustment   | 71       | 1   | SPM          |
| -   | 901 006 507 00 | sticker<br>tyre pressure<br>for<br>V > 200 KM/H  |          | 1   | SPM          |
| -   | 901 006 504 01 | sticker<br>for<br>engine-oil level   |          | 1   | SPM          |
| -   | 022 100 175    | sticker<br>for<br>valve clearance<br>adjustment<br>sticker<br>for<br>valve clearance<br>adjustment<br>see group<br>1/11/00 |          | 1   | 914-1,7/1,8V |
| -   | 901 006 503 00 | sticker<br>for<br>valve clearance<br>adjustment  |          | 1   | SPM          |

PORSCHE

PET

PORSCHE

|       |      |    |    |              |              |     |              |            |
|-------|------|----|----|--------------|--------------|-----|--------------|------------|
| Model | Year | MG | SG | Illustration | Restrictions | UPD | 18:04        | 30.01.2010 |
| 914   | 1976 | 0  | 01 | 001-05       |              | 248 | USA / CANADA |            |

| Pos | Part Number    | Description                              | Remark  | Qty | Model       |
|-----|----------------|--|---------|-----|-------------|
| -   | 901 006 502 00 | sticker<br>for<br>firing order           |         | 1   | SPM         |
| -   | 911 108 611 01 | sticker<br>for<br>filter<br>number plate |         | 1   | 914-6       |
| -   | 914 006 501 00 | sticker<br>tyre                          |         | 1   | 914-6       |
| -   | 914 006 501 10 | sticker<br>tyre<br>155 SR 15             | -71     | 1   | 914-4       |
| -   | 914 006 501 11 | sticker<br>tyre<br>155 SR 15             | 72-     | 1   | 914-4       |
| -   | 914 006 504 10 | sticker<br>tyre<br>155 SR 15             | -73     | 1   | 914-1,7     |
| -   | 914 006 505 10 | sticker<br>tyre<br>165 SR 15             | -74     | 1   | 914-2,0     |
| -   | 914 006 505 10 | sticker<br>tyre<br>165 SR 15             | -74     | 1   | 914-1,7     |
| -   | 914 006 505 11 | sticker<br>tyre<br>165 SR 15             | 75-     | 1   | 914-1,8     |
| -   | 914 006 506 00 | sticker<br>tyre<br>165 HR 15             | 2,0 -74 | 1   | 914-1,7/1,8 |
| -   | 914 006 506 11 | sticker<br>tyre<br>165 HR 15             | 75-     | 1   | 914-2,0     |
| -   | 911 108 611 01 | sticker<br>for<br>filter<br>number plate |         | 1   | 914-6       |
| -   | 914 006 501 00 | sticker<br>tyre                          |         | 1   | 914-6       |
| -   | 914 006 501 10 | sticker<br>tyre<br>155 SR 15             | -71     | 1   | 914-4       |
| -   | 914 006 501 11 | sticker<br>tyre<br>155 SR 15             | 72-     | 1   | 914-4       |

PORSCHE

# PET

PORSCHE

|       |      |    |    |              |              |     |              |            |
|-------|------|----|----|--------------|--------------|-----|--------------|------------|
| Model | Year | MG | SG | Illustration | Restrictions | UPD | 18:04        | 30.01.2010 |
| 914   | 1976 | 0  | 01 | 001-05       |              | 248 | USA / CANADA |            |

| Pos | Part Number    | Description                                 | Remark  | Qty | Model       |
|-----|----------------|---|---------|-----|-------------|
| -   | 914 006 504 10 | sticker<br>tyre<br>155 SR 15                | -73     | 1   | 914-1,7     |
| -   | 914 006 505 10 | sticker<br>tyre<br>165 SR 15                | -74     | 1   | 914-2,0     |
| -   | 914 006 505 10 | sticker<br>tyre<br>165 SR 15                | -74     | 1   | 914-1,7     |
| -   | 914 006 505 11 | sticker<br>tyre<br>165 SR 15                | 75-     | 1   | 914-1,8     |
| -   | 914 006 506 00 | sticker<br>tyre<br>165 HR 15                | 2,0 -74 | 1   | 914-1,7/1,8 |
| -   | 914 006 506 11 | sticker<br>tyre<br>165 HR 15                | 75-     | 1   | 914-2,0     |
| -   | 411 000 263 A  | sticker<br>required octane number<br>98 ROZ |         | 1   |             |
| -   | 113 000 263 B  | sticker<br>indicator lights<br>91 ROZ       |         | 1   |             |
| -   | PCG 701 105 00 | badge<br>for<br>lacquers                    |         | 1   |             |



PORSCHE

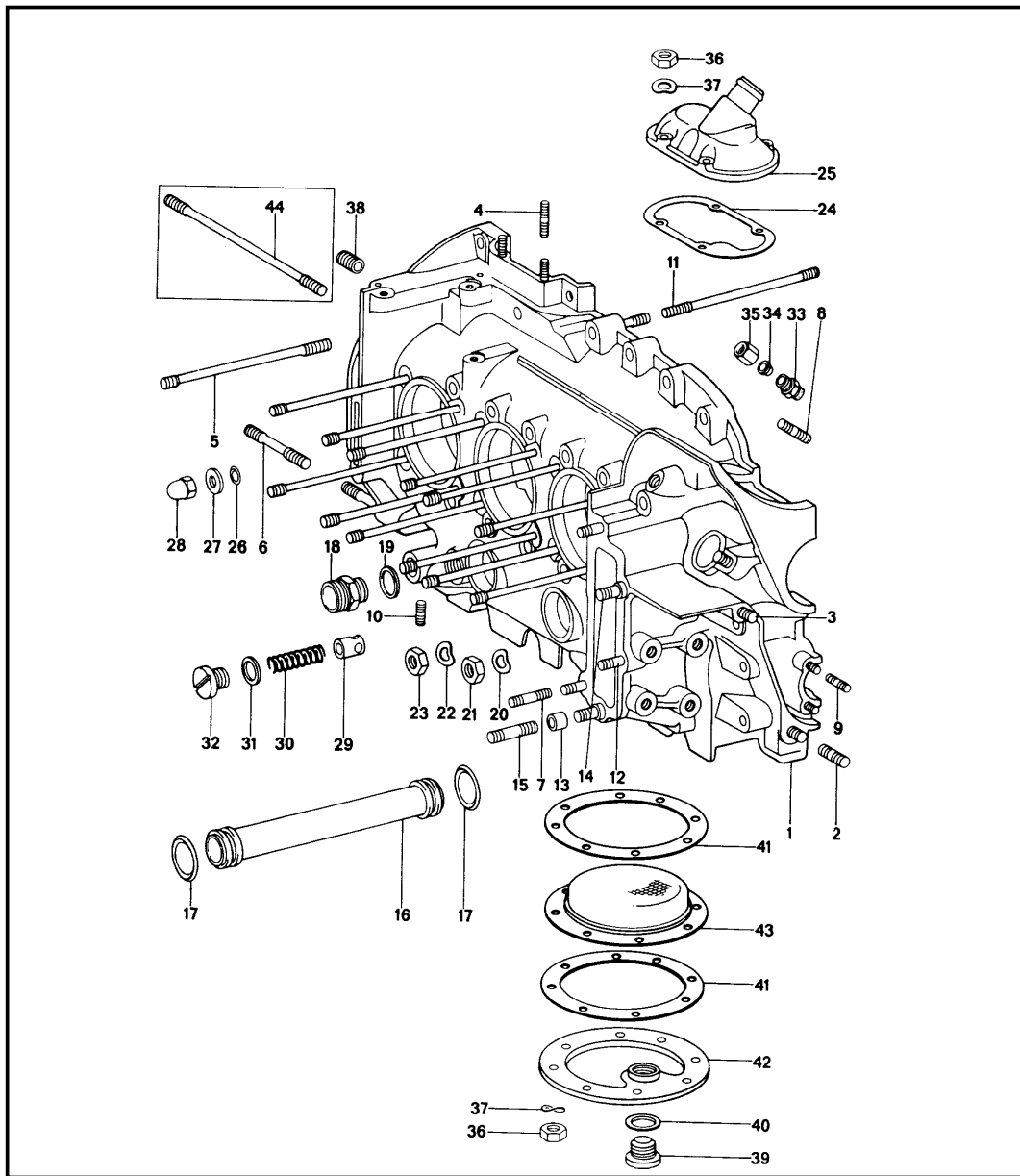
PET

PORSCHE

|       |      |    |    |              |              |     |              |            |
|-------|------|----|----|--------------|--------------|-----|--------------|------------|
| Model | Year | MG | SG | Illustration | Restrictions | UPD | 18:05        | 30.01.2010 |
| 914   | 1976 | 0  | 02 | 002-00       |              | 248 | USA / CANADA |            |

| Pos | Part Number    | Description   | Remark | Qty | Model |
|-----|----------------|---|--------|-----|-------|
| -   | 914 361 902 00 | snow chains<br>ski rack<br><br>snow chains<br>set<br>for<br>tyre<br>155 SR 15<br>155 SR 15 M + S<br>155 SR 15 M + S - E |        | X   |       |
| -   | 911 361 909 00 | snow chains<br>set<br>for<br>tyre<br>165 HR 15<br>165 SR 15<br>165 SR 15 M + S<br>165 SR 15 M + S - E                   |        | X   |       |
| -   | 914 801 901 10 | ski rack<br>complete<br>front and rear<br>set<br>for subsequent installation  |        | 1   |       |

|       |      |    |    |              |              |     |              |            |         |     |         |
|-------|------|----|----|--------------|--------------|-----|--------------|------------|---------|-----|---------|
| Model | Year | MG | SG | Illustration | Restrictions | UPD | 18:05        | 30.01.2010 | PORSCHE | PET | PORSCHE |
| 914   | 1976 | 1  | 01 | 101-05       |              | 248 | USA / CANADA |            |         |     |         |

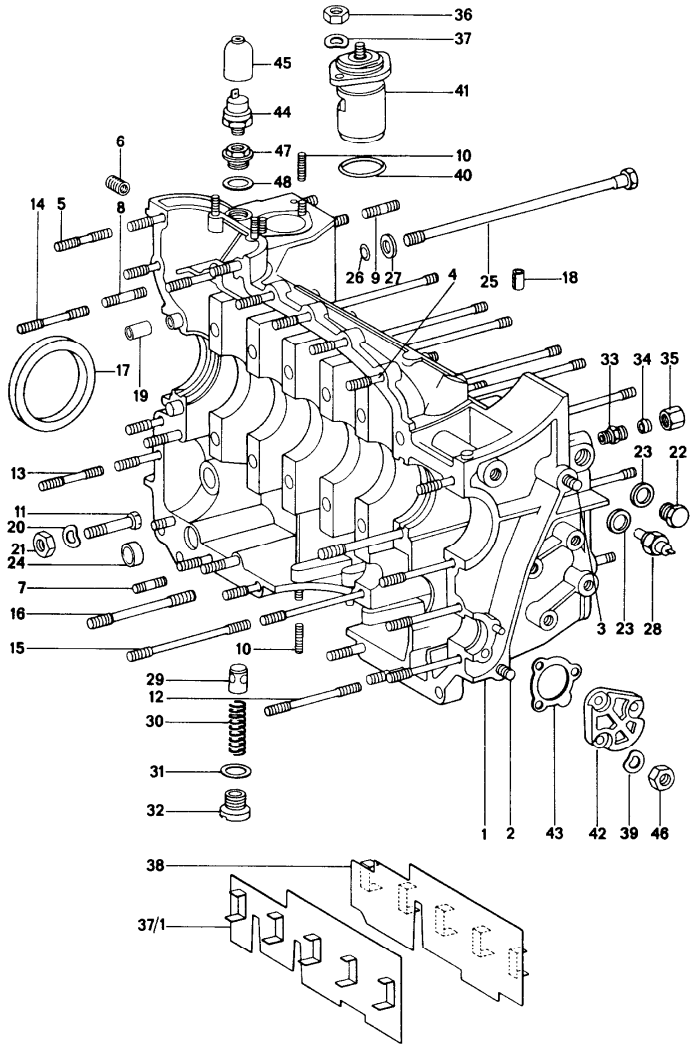


| Pos | Part Number    | Description                            | Remark | Qty | Model |
|-----|----------------|--|--------|-----|-------|
| 1   | 901 101 912 00 | crankcase left                         |        | 1   | 914-6 |
| 2   | 999 062 090 02 | stud M 10 X 40                         |        | 2   |       |
| 3   | 999 062 039 02 | stud M 10 X 50                         |        | 1   |       |
| 4   | 999 062 085 02 | stud BM 6 X 20                         |        | 4   |       |
| 5   | 901 101 172 03 | stud                                   |        | 24  |       |
| 6   | 999 061 034 02 | stud                                   |        | 2   |       |
| 7   | 999 062 007 02 | stud BM 8 X 22                         |        | 4   |       |
| 8   | 900 061 004 02 | stud BM 8 X 12 for support distributor |        | 1   |       |
| 9   | 999 062 002 02 | stud BM 6 X 15                         |        | 3   |       |
| 10  | 999 062 055 02 | stud BM 6 X 12                         |        | 5   |       |
| 11  | 901 101 174 00 | stud                                   |        | 2   |       |
| 12  | 999 062 006 02 | stud BM 8 X 20                         |        | 2   |       |
| 13  | 901 101 145 00 | dowel sleeve                           |        | 4   |       |
| 14  | 999 062 008 02 | stud                                   |        | 2   |       |
| 15  | 999 062 009 02 | stud BM 8 X 28                         |        | 2   |       |
| 16  | 901 107 351 01 | oil tube                               |        | 4   |       |
| 17  | 999 707 112 40 | round seal R 25 - 6                    |        | 8   |       |
| 18  | 900 136 013 02 | union A 16                             |        | 1   |       |
| 19  | 900 123 011 30 | sealing ring A 22 X 27                 |        | 1   |       |

|       |      |    |    |              |              |     |              |            |         |     |         |
|-------|------|----|----|--------------|--------------|-----|--------------|------------|---------|-----|---------|
| Model | Year | MG | SG | Illustration | Restrictions | UPD | 18:05        | 30.01.2010 | PORSCHE | PET | PORSCHE |
| 914   | 1976 | 1  | 01 | 101-05       |              | 248 | USA / CANADA |            |         |     |         |

| Pos | Part Number    | Description                | Remark | Qty | Model | Pos | Part Number    | Description                                  | Remark | Qty | Model |
|-----|----------------|----------------------------|--------|-----|-------|-----|----------------|--|--------|-----|-------|
| 20  | 900 031 014 30 | washer<br>8,4              |        | 21  |       | 42  | 930 101 902 00 | lid<br>technical information<br>gr.1 nr.1/85 |        | 1   |       |
| 21  | 900 084 004 02 | hexagon nut<br>M 8         |        | 21  |       | 43  | 901 101 380 01 | oil strainer                                 |        | 1   |       |
| 21  | 900 084 004 03 | hexagon nut<br>M 8         |        | 21  |       | 44  | 999 062 099 02 | stud<br>BM 10 X 105                          |        | 2   | SPM   |
| 22  | N 012 242 3    | spring washer<br>B 10 X 18 |        | 1   |       |     |                |  |        |     |       |
| 23  | 900 157 002 02 | hexagon nut<br>M 10        |        | 1   |       |     |                |  |        |     |       |
| 24  | 930 107 791 00 | gasket                     |        | 1   |       |     |                |  |        |     |       |
| 25  | 901 107 073 02 | lid                        |        | 1   |       |     |                |  |        |     |       |
| 26  | 999 701 006 40 | o-ring                     |        | 12  |       |     |                |  |        |     |       |
| 27  | 901 101 161 01 | washer                     |        | 12  |       |     |                |  |        |     |       |
| 28  | 999 070 004 02 | cap nut                    |        | 13  |       |     |                |  |        |     |       |
| 29  | 901 107 512 01 | piston                     |        | 1   |       |     |                |  |        |     |       |
| 30  | 901 107 531 00 | compression spring         |        | 1   |       |     |                |  |        |     |       |
| 31  | 900 123 071 30 | sealing ring<br>A 18 X 24  |        | 1   |       |     |                |  |        |     |       |
| 32  | 999 064 010 02 | screw plug                 |        | 1   |       |     |                |  |        |     |       |
| 33  | 901 107 375 00 | screw socket               |        | 1   |       |     |                |  |        |     |       |
| -   | 900 123 005 30 | sealing ring<br>A 12 X 16  |        | 1   |       |     |                |  |        |     |       |
| 34  | N 020 825 1    | cutting ring<br>LL 8       |        | 1   |       |     |                |  |        |     |       |
| 35  | 900 104 003 02 | union nut<br>ALL 8         |        | 1   |       |     |                |  |        |     |       |
| 36  | 900 076 010 02 | hexagon nut<br>M 6         |        | 6   |       |     |                |  |        |     |       |
| 37  | 900 028 008 01 | spring washer<br>B 8       |        | 6   |       |     |                |  |        |     |       |
| 39  | 911 107 176 01 | magnetic screw             |        | 1   |       |     |                |  |        |     |       |
| 40  | 900 123 011 30 | sealing ring<br>A 22 X 27  |        | 1   |       |     |                |  |        |     |       |
| 41  | 930 101 391 01 | gasket                     |        | 2   |       |     |                |  |        |     |       |

|       |      |    |    |              |              |     |              |            |         |     |         |
|-------|------|----|----|--------------|--------------|-----|--------------|------------|---------|-----|---------|
| Model | Year | MG | SG | Illustration | Restrictions | UPD | 18:06        | 30.01.2010 | PORSCHE | PET | PORSCHE |
| 914   | 1976 | 1  | 01 | 101-10       |              | 248 | USA / CANADA |            |         |     |         |

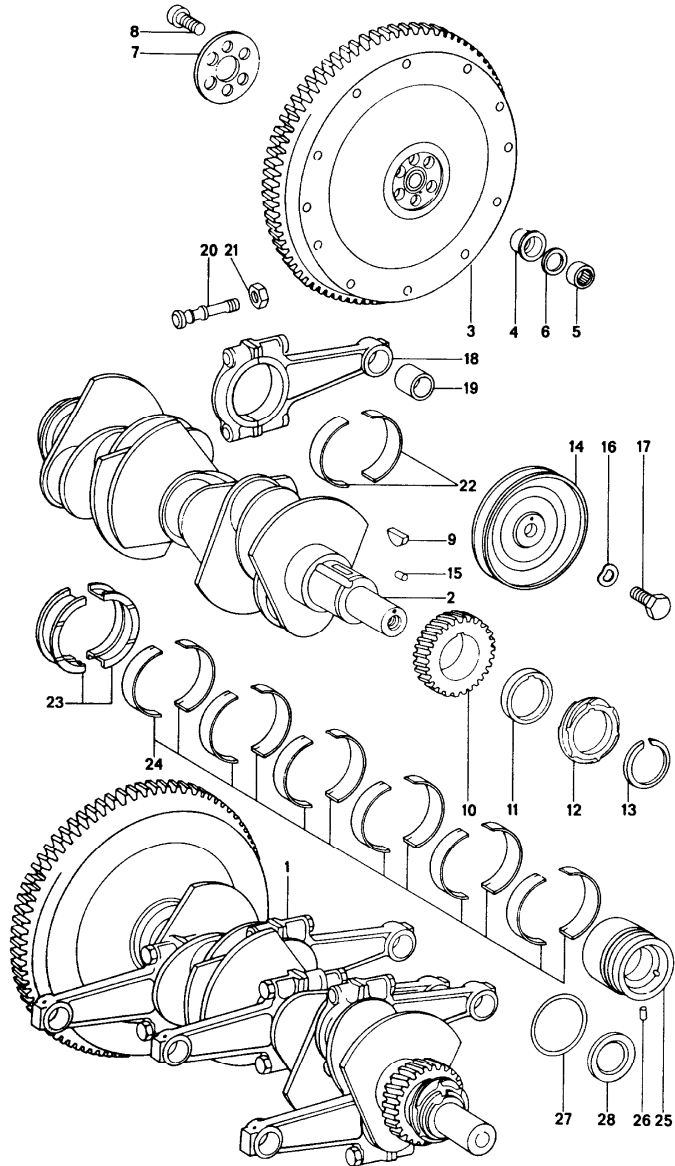


| Pos | Part Number    | Description                                      | Remark | Qty | Model |
|-----|----------------|--|--------|-----|-------|
| 1   | 901 101 912 00 | crankcase right                                  |        | 1   | 914-6 |
| 2   | 999 062 090 02 | crankcase with studs                             |        | 1   |       |
| 3   | 999 061 056 02 | stud M 10 X 40                                   |        | 2   |       |
| 4   | 999 062 010 02 | stud   |        | 1   |       |
| 5   | 999 062 115 02 | stud BM 8 X 35                                   |        | 1   |       |
| 6   | 999 504 062 02 | stud BM 8 X 32                                   |        | 12  |       |
| 7   | 999 062 006 02 | threaded bush                                    |        | 1   |       |
| 8   | 999 062 006 02 | stud BM 8 X 20 for mount oil pump and chain case |        | 3   |       |
| 9   | 999 062 009 02 | stud BM 8 X 28                                   |        | 1   |       |
| 10  | 900 061 057 02 | stud BM 8 X 15                                   |        | 4   |       |
| 11  | 999 062 055 02 | stud BM 6 X 12                                   |        | 7   |       |
| 12  | 900 074 134 02 | hexagon-head bolt M 8 X 45                       |        | 1   |       |
| 13  | N 014 432 4    | stud   |        | 3   |       |
| 14  | 999 062 075 02 | stud BM 8 X 48                                   |        | 2   |       |
| 15  | 999 062 138 02 | stud BM 8 X 52                                   |        | 1   |       |
| 16  | 999 062 051 02 | stud BM 8 X 108                                  |        | 1   |       |
| 17  | 999 062 217 08 | screw BM 10 X 85                                 |        | 1   |       |
| 18  | 999 113 057 52 | radial sealing ring 65 X 85 X 10                 |        | 1   |       |

|       |      |    |    |              |              |     |              |            |         |     |         |
|-------|------|----|----|--------------|--------------|-----|--------------|------------|---------|-----|---------|
| Model | Year | MG | SG | Illustration | Restrictions | UPD | 18:06        | 30.01.2010 | PORSCHE | PET | PORSCHE |
| 914   | 1976 | 1  | 01 | 101-10       |              | 248 | USA / CANADA |            |         |     |         |

| Pos  | Part Number    | Description   | Remark | Qty | Model | Pos  | Part Number    | Description               | Remark | Qty | Model |
|------|----------------|---|--------|-----|-------|------|----------------|---------------------------|--------|-----|-------|
| (17) | 901 102 911 00 | radial sealing ring<br>64,5 X 85 X 10<br>undersize                  |        | 1   |       | 34   | N 020 825 1    | cutting ring<br>LL 8      |        | 1   |       |
| 18   | 900 095 025 01 | roll pin<br>8 X 16<br>for<br>fan housing                            |        | 1   |       | 35   | 900 104 003 02 | union nut<br>ALL 8        |        | 1   |       |
| 19   | 901 101 195 00 | dowel sleeve  |        | 2   |       | 36   | 900 076 010 02 | hexagon nut<br>M 6        |        | 2   |       |
| 20   | 900 031 014 30 | washer<br>8,4   |        | 1   |       | 37   | 900 028 008 01 | spring washer<br>B 6      |        | 2   |       |
| -    | 999 151 022 02 | washer<br>20 X 8,4 X 2<br>between<br>housing<br>and<br>ground strap |        | 1   |       | 37/1 | 901 101 035 01 | oil strainer              | /L     | 1   |       |
| 21   | 900 084 004 02 | hexagon nut<br>M 8  |        | 1   |       | 38   | 901 101 036 01 | oil strainer              | /R     | 1   |       |
| 21   | 900 084 004 03 | hexagon nut<br>M 8  |        | 1   |       | 39   | 900 031 011 30 | washer<br>M 6             |        | 3   |       |
| 22   | 900 124 002 02 | screw plug<br>AM 14 X 1,5   |        | 1   | SPM   | 40   | 999 701 053 50 | sealing ring<br>39,2 X 3  |        | 1   |       |
| 23   | 900 123 007 30 | sealing ring<br>14 X 18   |        | 1   |       | 41   | 901 107 751 00 | oil thermostat            | -70    | 1   |       |
| 24   | 999 704 172 50 | sealing ring  |        | 1   |       | (41) | 930 107 765 00 | oil thermostat            | 71-    | 1   |       |
| 25   | 901 101 173 00 | screw   |        | 11  |       | 42   | 901 105 141 02 | cover                     |        | 1   |       |
| 26   | 999 701 006 40 | o-ring  |        | 12  |       | 43   | 930 105 198 01 | gasket                    |        | 1   |       |
| 27   | 901 101 161 01 | washer  |        | 12  |       | 44   | 911 606 230 00 | oil pressure switch       |        | 1   |       |
| 28   | 901 641 632 00 | remote temperature sensor   |        | 1   |       | 45   | 999 659 009 40 | water protection cap      |        | 1   |       |
| 29   | 901 107 512 01 | piston  |        | 1   |       | 46   | 900 084 010 02 | hexagon nut<br>M 6        |        | 3   |       |
| 30   | 901 107 531 00 | compression spring  |        | 1   |       | 47   | 901 101 175 01 | adapter                   |        | 1   |       |
| 31   | 900 123 071 30 | sealing ring<br>A 18 X 24   |        | 1   |       | 48   | 900 123 044 30 | sealing ring<br>A 18 X 22 |        | 1   |       |
| 32   | 999 064 010 02 | screw plug  |        | 1   |       |      |                |                           |        |     |       |
| 33   | 901 107 375 00 | screw socket  |        | 1   |       |      |                |                           |        |     |       |
| -    | 900 123 005 30 | sealing ring<br>A 12 X 16   |        | 1   |       |      |                |                           |        |     |       |

|       |      |    |    |              |              |     |              |            |         |     |         |
|-------|------|----|----|--------------|--------------|-----|--------------|------------|---------|-----|---------|
| Model | Year | MG | SG | Illustration | Restrictions | UPD | 18:06        | 30.01.2010 | PORSCHE | PET | PORSCHE |
| 914   | 1976 | 1  | 02 | 102-00       |              | 248 | USA / CANADA |            |         |     |         |



| Pos  | Part Number      | Description                       | Remark | Qty | Model     |
|------|------------------|-----------------------------------|--------|-----|-----------|
| 1    | ---              | crankshaft                        |        | 1   | 914-6     |
|      | ---              | crankshaft with connecting rod    |        | 1   |           |
| 2    | > 901 102 011 00 | crankshaft                        |        | 1   |           |
| 3    | 901 102 026 01   | flywheel complete                 |        | 1   |           |
| -    | 999 012 014 00   | straight pin                      |        | 3   |           |
| 4-6  | 901 102 025 01   | bush complete                     |        | 1   |           |
| 7    | 901 102 162 04   | washer for mount flywheel         |        | 1   |           |
| 8    | 911 102 171 00   | pan-head screw for mount flywheel |        | 6   | 901/36/38 |
| (8)  | 999 067 009 01   | pan-head screw                    |        | 6   | 901/37/39 |
| 9    | 901 102 147 00   | woodruff key                      |        | 1   |           |
| 10   | 901 102 111 00   | timing gear for number 0          |        | 1   |           |
| (10) | 901 102 111 10   | timing gear for number 1          |        | 1   |           |
| 11   | 901 102 145 00   | intermediate ring                 |        | 1   |           |
| 12   | 901 102 115 00   | drive wheel                       |        | 1   |           |
| 13   | 901 102 148 00   | circlip                           |        | 1   |           |
| 14   | 911 102 017 50   | v-belt pulley                     |        | 1   |           |
| 15   | 900 012 060 00   | straight pin 5 M 6 X 10           |        | 1   |           |
| 16   | 900 028 014 01   | spring washer B 12                |        | 1   |           |
| 17   | 999 093 005 02   | hexagon-head bolt M 12 X 1,5 X 22 |        | 1   |           |

|       |      |    |    |              |              |     |              |            |         |     |         |
|-------|------|----|----|--------------|--------------|-----|--------------|------------|---------|-----|---------|
| Model | Year | MG | SG | Illustration | Restrictions | UPD | 18:06        | 30.01.2010 | PORSCHE | PET | PORSCHE |
| 914   | 1976 | 1  | 02 | 102-00       |              | 248 | USA / CANADA |            |         |     |         |

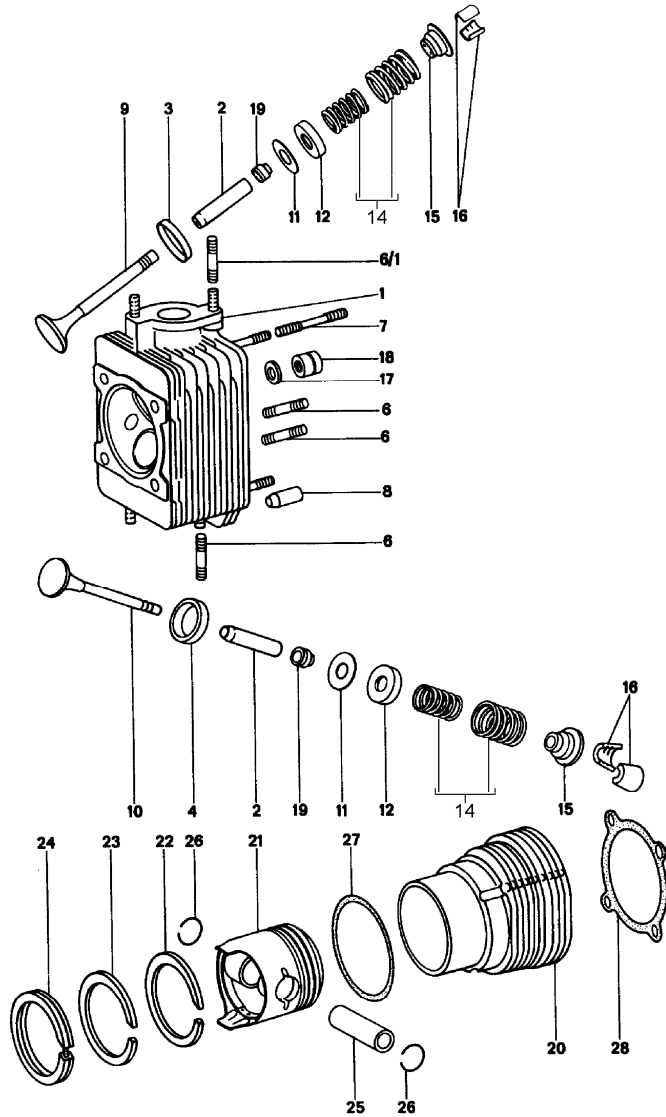
| Pos  | Part Number      | Description   | Remark | Qty | Model | Pos  | Part Number      | Description  | Remark | Qty | Model |
|------|------------------|---|--------|-----|-------|------|------------------|--|--------|-----|-------|
| (18) | 901 103 011 26   | connecting rod<br>weight group:<br>6 = 596 - 605 GR.  |        | 6   |       | >>   | >>911 101 901 50 | set of crankshaft bearings<br>undersize 0.25 mm<br>inner<br>comprising:    |        | 1   |       |
| (18) | 901 103 011 27   | connecting rod<br>weight group:<br>7 = 605 - 614 GR.  |        | 6   |       | (23) | 901 101 131 50   | bearing shell<br>I   |        | 2   |       |
| (18) | 901 103 011 29   | connecting rod<br>weight group:<br>9 = 623 - 632 GR.  |        | 6   |       | (24) | 901 101 132 50   | bearing shell<br>II - VII  |        | 12  |       |
| (18) | 901 103 011 31   | connecting rod<br>weight group:<br>11 = 641 - 650 GR. |        | 6   |       | (25) | 901 101 138 53   | bearing sleeve<br>for<br>bearing<br>VIII                                   |        | 1   |       |
| (18) | 901 103 011 32   | connecting rod<br>weight group:<br>12 = 650 - 659 GR. |        | 6   |       | >>   | >>911 101 901 55 | set of crankshaft bearings<br>undersize 0.50 mm<br>inner<br>comprising:    |        | 1   |       |
| 19   | 901 103 131 01   | connecting rod bush                                   |        | 6   |       | (23) | 901 101 131 55   | bearing shell<br>I   |        | 2   |       |
| 20   | 901 103 172 00   | connecting rod bolt                                   |        | 12  |       | (24) | 901 101 132 55   | bearing shell<br>II - VII  |        | 12  |       |
| 21   | 901 103 173 00   | connecting rod nut                                    |        | 12  |       | (25) | 901 101 138 58   | bearing sleeve<br>for<br>bearing<br>VIII                                   |        | 1   |       |
| (22) | 901 103 141 50   | connecting-rod bearing<br>undersize 0.25 mm           |        | X   |       | >>   | >>911 101 901 65 | set of crankshaft bearings<br>undersize<br>0,75 MM<br>inner<br>comprising: |        | 1   |       |
| (22) | 901 103 141 60   | connecting-rod bearing<br>undersize 0.50 mm           |        | X   |       | (23) | 901 101 131 65   | bearing shell<br>I   |        | 2   |       |
| (22) | 901 103 141 70   | connecting-rod bearing<br>undersize<br>0,75 MM        |        | X   |       | (24) | 901 101 132 65   | bearing shell<br>II - VII  |        | 12  |       |
| (22) | 901 103 141 80   | connecting-rod bearing<br>undersize<br>1,00 MM        |        | X   |       | (25) | 901 101 138 68   | bearing sleeve<br>for<br>bearing<br>VIII                                   |        | 1   |       |
| >>   | >>911 101 901 00 | set of crankshaft bearings<br>comprising:             |        | 1   |       | >>   | >>911 101 901 69 | set of crankshaft bearings<br>undersize<br>1,00 MM<br>inner<br>comprising: |        | 1   |       |
| 23   | 901 101 131 00   | bearing shell<br>I                                    |        | 2   |       | (23) | 901 101 131 69   | bearing shell<br>I   |        | 2   |       |
| 24   | 901 101 132 00   | bearing shell<br>II - VII                             |        | 12  |       |      |                  |  |        |     |       |
| 25   | 901 101 138 03   | bearing sleeve<br>for<br>bearing<br>VIII              |        | 1   |       |      |                  |  |        |     |       |

|       |      |    |    |              |              |     |              |            |         |     |         |
|-------|------|----|----|--------------|--------------|-----|--------------|------------|---------|-----|---------|
| Model | Year | MG | SG | Illustration | Restrictions | UPD | 18:06        | 30.01.2010 | PORSCHE | PET | PORSCHE |
| 914   | 1976 | 1  | 02 | 102-00       |              | 248 | USA / CANADA |            |         |     |         |

| Pos  | Part Number      | Description  | Remark | Qty | Model | Pos  | Part Number      | Description   | Remark | Qty | Model |
|------|------------------|--|--------|-----|-------|------|------------------|---|--------|-----|-------|
| (24) | 901 101 132 69   | bearing shell<br>II - VII  |        | 12  |       | (25) | 901 101 138 78   | bearing sleeve<br>for<br>bearing<br>VIII  |        | 1   |       |
| (25) | 901 101 138 69   | bearing sleeve<br>for<br>bearing<br>VIII   |        | 1   |       | >>   | >>911 101 901 85 | set of crankshaft bearings<br>oversize 0.25 mm<br>outer<br>undersize<br>0,75 MM<br>inner<br>comprising: |        | 1   |       |
| >>   | >>911 101 901 60 | set of crankshaft bearings<br>oversize 0.25 mm<br>outer<br>comprising:                               |        | 1   |       |      |                  |   |        |     |       |
| (23) | 901 101 131 60   | bearing shell<br>I   |        | 2   |       | (23) | 901 101 131 85   | bearing shell<br>I  |        | 2   |       |
| (24) | 901 101 132 60   | bearing shell<br>II - VII  |        | 12  |       | (24) | 901 101 132 85   | bearing shell<br>II - VII   |        | 12  |       |
| (25) | 901 101 138 63   | bearing sleeve<br>for<br>bearing<br>VIII   |        | 1   |       | (25) | 901 101 138 88   | bearing sleeve<br>for<br>bearing<br>VIII  |        | 1   |       |
| >>   | >>911 101 901 70 | set of crankshaft bearings<br>oversize 0.25 mm<br>outer<br>undersize 0.25 mm<br>inner<br>comprising: |        | 1   |       | >>   | >>911 101 901 89 | set of crankshaft bearings<br>oversize 0.25 mm<br>outer<br>undersize<br>1,00 MM<br>inner<br>comprising: |        | 1   |       |
| (23) | 901 101 131 70   | bearing shell<br>I   |        | 2   |       | (23) | 901 101 131 89   | bearing shell<br>I  |        | 2   |       |
| (24) | 901 101 132 70   | bearing shell<br>II - VII  |        | 12  |       | (24) | 901 101 132 89   | bearing shell<br>II - VII   |        | 12  |       |
| (25) | 901 101 138 73   | bearing sleeve<br>for<br>bearing<br>VIII   |        | 1   |       | (25) | 901 101 138 89   | bearing sleeve<br>for<br>bearing<br>VIII  |        | 1   |       |
| >>   | >>911 101 901 75 | set of crankshaft bearings<br>oversize 0.25 mm<br>outer<br>undersize 0.50 mm<br>inner<br>comprising: |        | 1   |       | 26   | 900 012 061 00   | straight pin<br>5H 8 X 10 DIN 7   |        | 1   |       |
| (23) | 901 101 131 75   | bearing shell<br>I   |        | 2   |       | 27   | 900 174 041 40   | sealing ring<br>R 50 X 4 PAB/769  |        | 1   |       |
| (24) | 901 101 132 75   | bearing shell<br>II - VII  |        | 12  |       | 28   | 999 113 049 52   | radial sealing ring<br>30 X 50 X 10   |        | 1   |       |
|      |                  |  |        |     |       | (28) | 999 113 291 40   | sealing ring<br>29,5 X 50 X 10  |        | 1   |       |



|       |      |    |    |              |              |     |              |            |         |     |         |
|-------|------|----|----|--------------|--------------|-----|--------------|------------|---------|-----|---------|
| Model | Year | MG | SG | Illustration | Restrictions | UPD | 18:06        | 30.01.2010 | PORSCHE | PET | PORSCHE |
| 914   | 1976 | 1  | 03 | 103-00       |              | 248 | USA / CANADA |            |         |     |         |

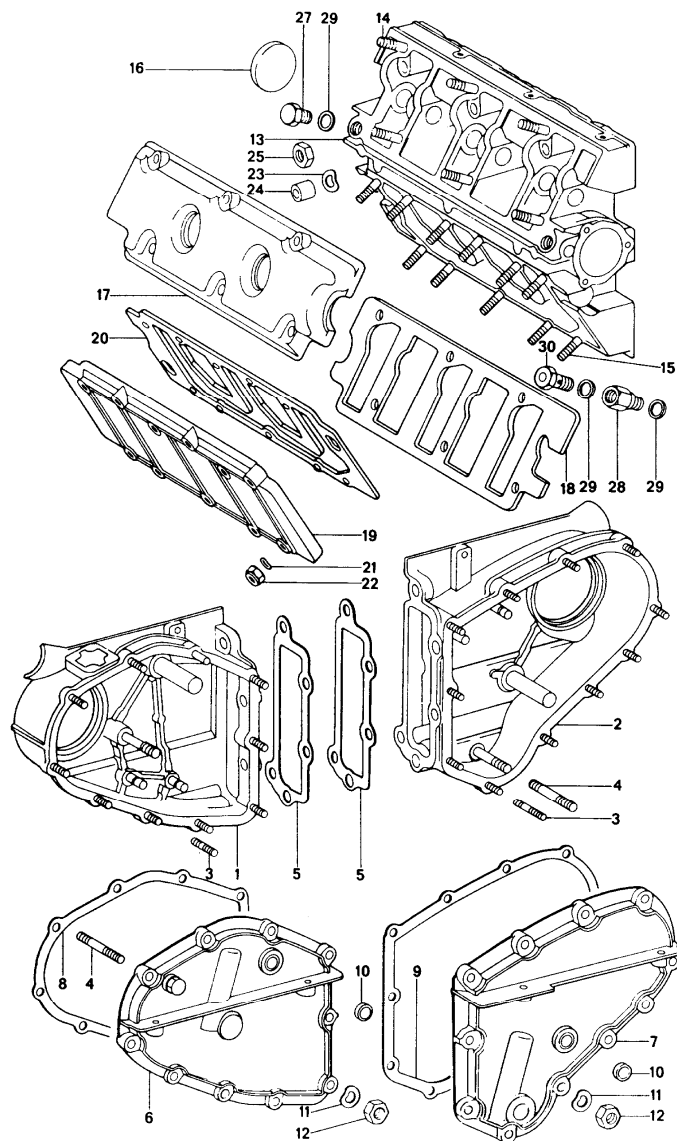


| Pos | Part Number    | Description   | Remark | Qty | Model |
|-----|----------------|---|--------|-----|-------|
|     |                | cylinder head<br>cylinder with piston                         |        |     | 914-6 |
| 1   | 901 104 036 02 | cylinder head<br>complete                                     |        | 6   |       |
| (1) | 901 104 006 04 | cylinder head<br>with valves<br>ready for installation        |        | 6   |       |
| 2   | 930 104 321 50 | valve guide<br>1st oversize                                   |        | X   |       |
| (2) | 901 104 321 61 | valve guide<br>2nd oversize                                   |        | X   |       |
| 3   | 901 104 313 50 | valve seat ring<br>for<br>intake<br>oversize                  |        | X   |       |
| 4   | 901 104 317 53 | valve seat ring<br>for<br>exhaust<br>2nd oversize<br>unleaded |        | X   |       |
| 6   | 900 061 006 01 | stud<br>BM 8 X 20   |        | 24  |       |
| 6/1 | 999 062 008 02 | stud<br>BM 8 X 25   |        | 12  |       |
| 7   | 900 061 012 02 | stud<br>BM 8 X 50   |        | 24  |       |
| 8   | 999 012 006 00 | straight pin  |        | 12  |       |
| 9   | 901 105 407 00 | intake valve  |        | 6   |       |
| 10  | 901 105 408 50 | exhaust valve<br>unleaded                                     |        | 6   |       |
| 11  | 930 105 461 00 | washer  |        | X   |       |
| 12  | 901 105 463 00 | ring  |        | 12  |       |
| 14  | 901 105 901 50 | set of valve springs<br>outer<br>and<br>inner                 |        | 12  |       |
| 14  | 901 105 901 51 | set of valve springs<br>outer<br>and<br>inner                 |        | 12  |       |

|       |      |    |    |              |              |     |              |            |         |     |         |
|-------|------|----|----|--------------|--------------|-----|--------------|------------|---------|-----|---------|
| Model | Year | MG | SG | Illustration | Restrictions | UPD | 18:06        | 30.01.2010 | PORSCHE | PET | PORSCHE |
| 914   | 1976 | 1  | 03 | 103-00       |              | 248 | USA / CANADA |            |         |     |         |

| Pos  | Part Number    | Description   | Remark | Qty | Model | Pos  | Part Number    | Description   | Remark | Qty | Model |
|------|----------------|---|--------|-----|-------|------|----------------|---|--------|-----|-------|
| 15   | 901 105 421 03 | concave washer  |        | 12  |       | 1-26 | 901 103 038 50 | piston complete<br>\$ 80,5<br>1st oversize<br>- mahle -   |        | X   |       |
| 16   | 901 105 417 00 | collet  |        | 24  |       |      |                |   |        |     |       |
| 17   | 999 031 083 01 | washer  |        | 24  |       |      |                |   |        |     |       |
| 18   | 901 104 382 02 | cylinder head nut   |        | 24  |       | 1-26 | 901 103 038 60 | piston complete<br>\$ 81<br>2nd oversize<br>- mahle -     |        | X   |       |
| 19   | 911 104 193 03 | valve stem seal<br>valve                                    |        | 12  |       |      |                |   |        |     |       |
| 0-26 | 901 103 903 01 | cylinder with piston complete<br>group 5<br>- mahle -       |        | 6   |       | 1-26 | 901 103 038 51 | piston complete<br>\$ 80,5<br>1st oversize<br>- SCHMIDT - |        | X   |       |
| 0-26 | 901 103 903 02 | cylinder with piston complete<br>group 6<br>- mahle -       |        | 6   |       | 1-26 | 901 103 038 61 | piston complete<br>\$ 81<br>2nd oversize<br>- SCHMIDT -   |        | X   |       |
| 0-26 | 901 103 903 05 | cylinder with piston complete<br>group 5<br>- SCHMIDT -     |        | 6   |       | 2-24 | 901 103 901 52 | set of piston rings<br>\$ 80,5<br>- mahle -               |        | 6   |       |
| 0-26 | 901 103 903 06 | cylinder with piston complete<br>group 6<br>- SCHMIDT -     |        | 6   |       | 2-24 | 901 103 901 62 | set of piston rings<br>\$ 81<br>- mahle -                 |        | 6   |       |
| 1-26 | -              | piston complete<br>\$ 80 ;<br>single parts<br>not available |        | X   |       | 2-24 | 901 103 901 53 | set of piston rings<br>\$ 80,5<br>- SCHMIDT -             |        | 6   |       |
| 2-24 | 901 103 901 02 | set of piston rings<br>- mahle -                            |        | 6   |       | 2-24 | 901 103 901 63 | set of piston rings<br>\$ 81<br>- SCHMIDT -               |        | 6   |       |
| 2-24 | 901 103 901 03 | set of piston rings<br>- SCHMIDT -                          |        | 6   |       |      |                |   |        |     |       |
| 25   | 901 103 323 00 | piston pin  |        | 6   |       |      |                |   |        |     |       |
| 26   | 900 178 002 00 | circlip<br>C 22   |        | 6   |       |      |                |   |        |     |       |
| 27   | 901 104 191 00 | gasket  |        | 6   |       |      |                |   |        |     |       |
| 28   | 901 104 391 01 | cylinder head gasket<br>cylinder head                       |        | 6   |       |      |                |   |        |     |       |

|       |      |    |    |              |              |     |              |            |         |     |         |
|-------|------|----|----|--------------|--------------|-----|--------------|------------|---------|-----|---------|
| Model | Year | MG | SG | Illustration | Restrictions | UPD | 18:06        | 30.01.2010 | PORSCHE | PET | PORSCHE |
| 914   | 1976 | 1  | 03 | 103-05       |              | 248 | USA / CANADA |            |         |     |         |

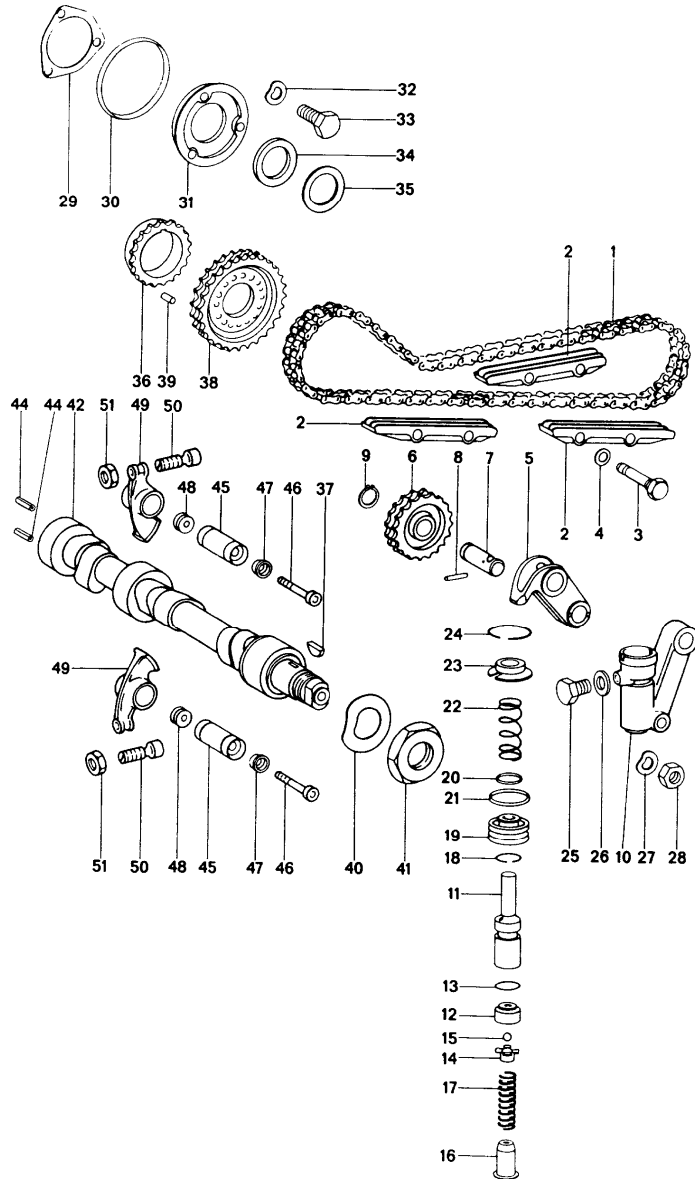


| Pos | Part Number    | Description                                   | Remark | Qty | Model |
|-----|----------------|---|--------|-----|-------|
| 1   | 930 105 061 02 | chain case<br>camshaft housing                |        |     | 914-6 |
| 2   | 930 105 062 01 | chain case<br>complete                        | /L     | 1   |       |
|     |                | - INTERTEIL -                                 |        |     |       |
|     |                | - INTERTEIL -                                 |        |     |       |
| 3   | 930 105 062 01 | chain case<br>complete                        | /R     | 1   |       |
|     |                | - INTERTEIL -                                 |        |     |       |
| 3   | 999 062 102 02 | stud<br>BM 6 X 22                             |        | 21  |       |
| 4   | 900 061 012 02 | stud<br>BM 8 X 50                             |        | 2   |       |
| 5   | 930 105 193 00 | gasket<br>crankcase<br>and<br>chain case      |        | 2   |       |
| 6   | 930 105 063 01 | lid<br>for<br>chain case<br>complete<br>left  |        | 1   |       |
| 7   | 930 105 064 00 | lid<br>for<br>chain case<br>complete<br>right |        | 1   |       |
| 8   | 930 105 191 03 | gasket<br>for<br>lid<br>chain case<br>left    |        | 1   |       |
| 9   | 930 105 192 01 | gasket<br>for<br>lid<br>chain case<br>right   |        | 1   |       |
| 10  | 900 036 008 02 | lid   |        | 2   |       |
| 11  | 900 031 011 30 | washer<br>6,4                                 |        | 21  |       |
| 12  | 900 084 010 02 | hexagon nut<br>M 6                            |        | 21  |       |

|       |      |    |    |              |              |     |              |            |         |     |         |
|-------|------|----|----|--------------|--------------|-----|--------------|------------|---------|-----|---------|
| Model | Year | MG | SG | Illustration | Restrictions | UPD | 18:06        | 30.01.2010 | PORSCHE | PET | PORSCHE |
| 914   | 1976 | 1  | 03 | 103-05       |              | 248 | USA / CANADA |            |         |     |         |

| Pos  | Part Number    | Description                                       | Remark | Qty | Model | Pos  | Part Number    | Description                                     | Remark | Qty | Model |
|------|----------------|---|--------|-----|-------|------|----------------|---|--------|-----|-------|
| 13   | 901 105 021 05 | camshaft housing complete                         |        | 2   |       | (22) | 900 084 004 03 | hexagon nut<br>M 8<br>for<br>chain case         |        | 6   |       |
| 14   | 999 062 009 02 | stud<br>BM 8 X 28                                 |        | 12  |       |      |                |   |        |     |       |
| 15   | 999 062 010 02 | stud<br>BM 8 X 35                                 |        | 22  |       | 23   | N 012 241 1    | spring washer<br>BM 8 X 15                      |        | 36  |       |
| -    | 901 105 379 00 | stopper   |        | 4   |       | (23) | N 012 241 1    | spring washer<br>BM 8 X 15<br>for<br>chain case |        | 4   |       |
| 16   | 901 105 161 01 | lid   |        | 2   |       |      |                |   |        |     |       |
| 17   | 901 105 115 03 | lid<br>for<br>camshaft housing<br>upper           |        | 2   |       | 24   | 901 111 271 00 | nut   |        | 6   |       |
|      |                |   |        |     |       | 25   | 900 076 025 02 | hexagon nut<br>M 8                              |        | 30  |       |
| 18   | 930 105 194 00 | gasket<br>for<br>lid<br>camshaft housing<br>upper |        | 2   |       | (25) | 900 076 025 02 | hexagon nut<br>M 8<br>for<br>chain case         |        | 4   |       |
| 19   | 930 105 116 00 | lid<br>for<br>camshaft housing<br>lower           |        | 2   |       | 27   | 901 105 374 00 | screw plug                                      |        | 2   |       |
|      |                |   |        |     |       | 28   | 901 105 361 01 | intermediate piece                              |        | 2   |       |
| 20   | 930 105 195 00 | gasket<br>for<br>lid<br>camshaft housing<br>lower |        | 2   |       | 29   | 900 123 005 00 | sealing ring<br>A 12 X 16                       |        | 6   |       |
|      |                |   |        |     |       | 30   | 900 134 006 02 | banjo bolt<br>A 6                               |        | 2   |       |
| 21   | 900 031 014 30 | washer<br>8,4                                     |        | 34  |       |      |                |   |        |     |       |
| (21) | 900 031 014 30 | washer<br>8,4<br>for<br>chain case                |        | 5   |       |      |                |   |        |     |       |
| 22   | 900 084 004 02 | hexagon nut<br>M 8                                |        | 34  |       |      |                |   |        |     |       |
| 22   | 900 084 004 03 | hexagon nut<br>M 8                                |        | 34  |       |      |                |   |        |     |       |
| (22) | 900 084 004 02 | hexagon nut<br>M 8<br>for<br>chain case           |        | 6   |       |      |                |   |        |     |       |

|       |      |    |    |              |              |     |              |            |         |     |         |
|-------|------|----|----|--------------|--------------|-----|--------------|------------|---------|-----|---------|
| Model | Year | MG | SG | Illustration | Restrictions | UPD | 18:06        | 30.01.2010 | PORSCHE | PET | PORSCHE |
| 914   | 1976 | 1  | 03 | 103-10       |              | 248 | USA / CANADA |            |         |     |         |

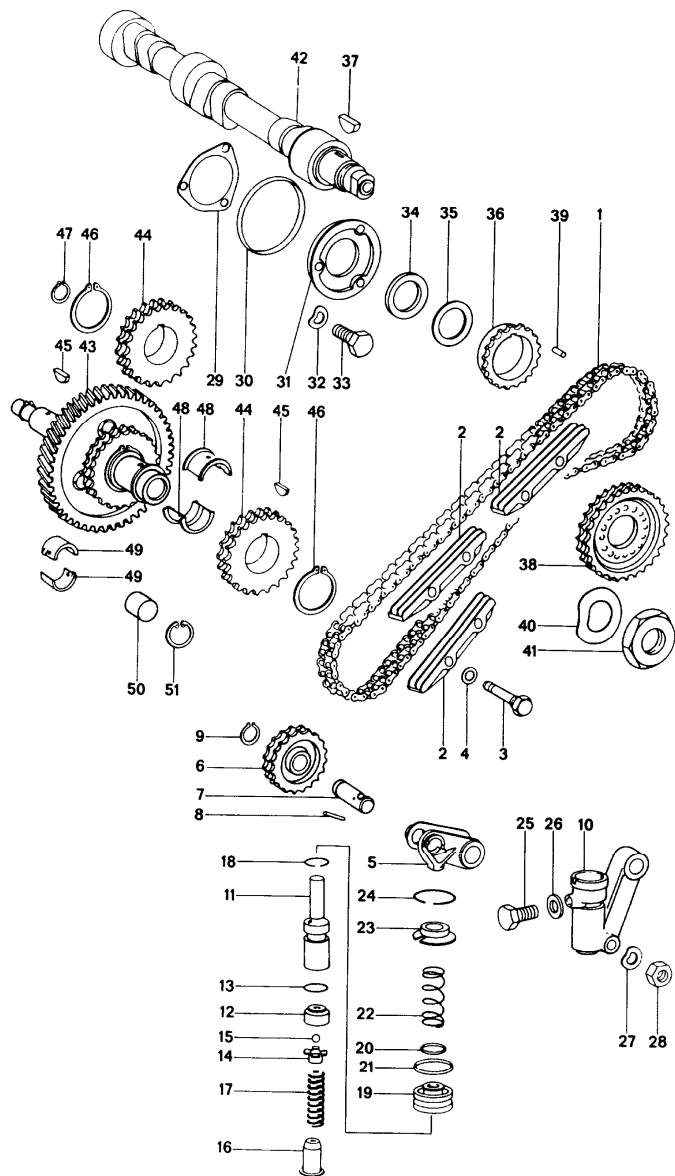


| Pos  | Part Number       | Description  | Remark | Qty | Model |
|------|-------------------|--|--------|-----|-------|
| 1    | 901 105 529 00    | valve control left                                       |        |     | 914-6 |
| 1    | 901 105 529 00    | timing chain   |        | 1   |       |
| 2    | 911 105 222 05    | guide rail   |        | 3   |       |
| 3    | 901 105 226 03    | bolt for guide rail                                      |        | 4   |       |
| 4    | * 900 123 066 30  | sealing ring A 10 X 16                                   |        | 4   |       |
| 5    | 901 105 505 02    | chain wheel support                                      | /L     | 1   |       |
| 6    | 901 105 055 00    | sprocket complete  |        | 1   |       |
| 7    | 901 105 056 01    | bolt complete  |        | 1   |       |
| 8    | 900 197 010 00    | tensioning sleeve 3 X 22                                 |        | 1   |       |
| 10   | 901 105 050 01    | housing housing complete                                 |        | 1   |       |
| 0-26 | * 930 105 049 00  | chain adjuster complete                                  |        | 1   |       |
| -    | 911 105 901 00    | repair kit comprising: picture 12-15, 18, 20, 21, 24, 26 |        | 1   |       |
| 11   | 930 105 559 00    | piston for chain adjuster                                |        | 1   |       |
| 12   | * --- --- --- --- | intermediate piece                                       |        | 1   |       |
| 13   | * --- --- --- --- | o-ring R 10 - 1,3  |        | 1   |       |
| 14   | * --- --- --- --- | housing for ball valve                                   |        | 1   |       |
| 15   | * --- --- --- --- | ball 5 MM V  |        | 1   |       |
| 16   | 930 105 523 00    | spring guide   |        | 1   |       |

|       |      |    |    |              |              |     |              |            |         |     |         |
|-------|------|----|----|--------------|--------------|-----|--------------|------------|---------|-----|---------|
| Model | Year | MG | SG | Illustration | Restrictions | UPD | 18:06        | 30.01.2010 | PORSCHE | PET | PORSCHE |
| 914   | 1976 | 1  | 03 | 103-10       |              | 248 | USA / CANADA |            |         |     |         |

| Pos | Part Number       | Description                                 | Remark | Qty | Model | Pos | Part Number    | Description                  | Remark | Qty | Model |
|-----|-------------------|---|--------|-----|-------|-----|----------------|------------------------------|--------|-----|-------|
| 17  | 916 105 534 00    | compression spring<br>for<br>chain adjuster |        | 1   |       | 38  | 901 105 546 02 | sprocket<br>II               |        | 1   |       |
| 18  | * --- --- --- --- | circlip<br>16                               |        | 1   |       | 39  | 900 243 001 00 | straight pin<br>A 6 H 8 X 14 |        | 1   |       |
| 19  | 901 105 557 01    | piston                                      |        | 1   |       | 40  | 900 028 021 02 | spring washer<br>B 30        |        | 1   |       |
| 20  | * --- --- --- --- | o-ring<br>8,3 - 2,4                         |        | 1   |       | 41  | 901 105 172 00 | nut<br>for<br>camshaft       |        | 1   |       |
| 21  | * --- --- --- --- | o-ring<br>20,3 - 2,4                        |        | 1   |       | 42  | 901 105 133 01 | camshaft                     | /L     | 1   |       |
| 22  | 930 105 535 01    | compression spring                          |        | 1   |       | 44  | 900 095 017 01 | tensioning sleeve<br>5 X 24  |        | 2   | SPM   |
| 23  | 930 105 568 00    | concave washer                              |        | 1   |       | 45  | 901 105 342 04 | rocker shaft                 |        | 12  |       |
| 24  | * --- --- --- --- | circlip<br>28                               |        | 1   |       | 46  | 999 067 008 00 | pan-head screw               |        | 12  |       |
| 25  | 930 105 573 00    | bleeder screw                               |        | 1   |       | 47  | 901 105 344 02 | bush                         |        | 12  |       |
| 26  | * --- --- --- --- | sealing ring<br>A 6,5 X 9,5                 |        | 1   |       | 48  | 901 105 376 02 | nut                          |        | 12  |       |
| 27  | N 012 241 1       | spring washer<br>B 8 X 15                   |        | 1   |       | 49  | 930 105 043 00 | rocker arm<br>complete       |        | 12  |       |
| 28  | 900 076 025 02    | hexagon nut<br>M 8                          |        | 1   |       | 50  | 901 105 370 02 | adjusting screw<br>complete  |        | 12  |       |
| 29  | 930 105 197 05    | gasket                                      |        | 1   |       | 51  | 999 034 005 00 | hexagon nut                  |        | 12  |       |
| 30  | * 999 701 124 40  | o-ring<br>67,5 X 75,5 X 4                   |        | 1   |       |     |                |                              |        |     |       |
| 31  | 930 105 196 00    | cover                                       |        | 1   |       |     |                |                              |        |     |       |
| 32  | 900 028 008 01    | spring washer<br>B 6                        |        | 3   |       |     |                |                              |        |     |       |
| 33  | 900 075 017 02    | hexagon-head bolt<br>M 6 X 25               |        | 3   |       |     |                |                              |        |     |       |
| 34  | 901 105 562 00    | thrust washer                               |        | 1   |       |     |                |                              |        |     |       |
| 35  | 901 105 561 00    | shim  |        | X   |       |     |                |                              |        |     |       |
| 36  | 901 105 583 01    | flange<br>sprocket                          |        | 1   |       |     |                |                              |        |     |       |
| 37  | 900 118 005 00    | woodruff key<br>4 X 5                       |        | 1   |       |     |                |                              |        |     |       |

|       |      |    |    |              |              |     |              |            |         |     |         |
|-------|------|----|----|--------------|--------------|-----|--------------|------------|---------|-----|---------|
| Model | Year | MG | SG | Illustration | Restrictions | UPD | 18:06        | 30.01.2010 | PORSCHE | PET | PORSCHE |
| 914   | 1976 | 1  | 03 | 103-15       |              | 248 | USA / CANADA |            |         |     |         |



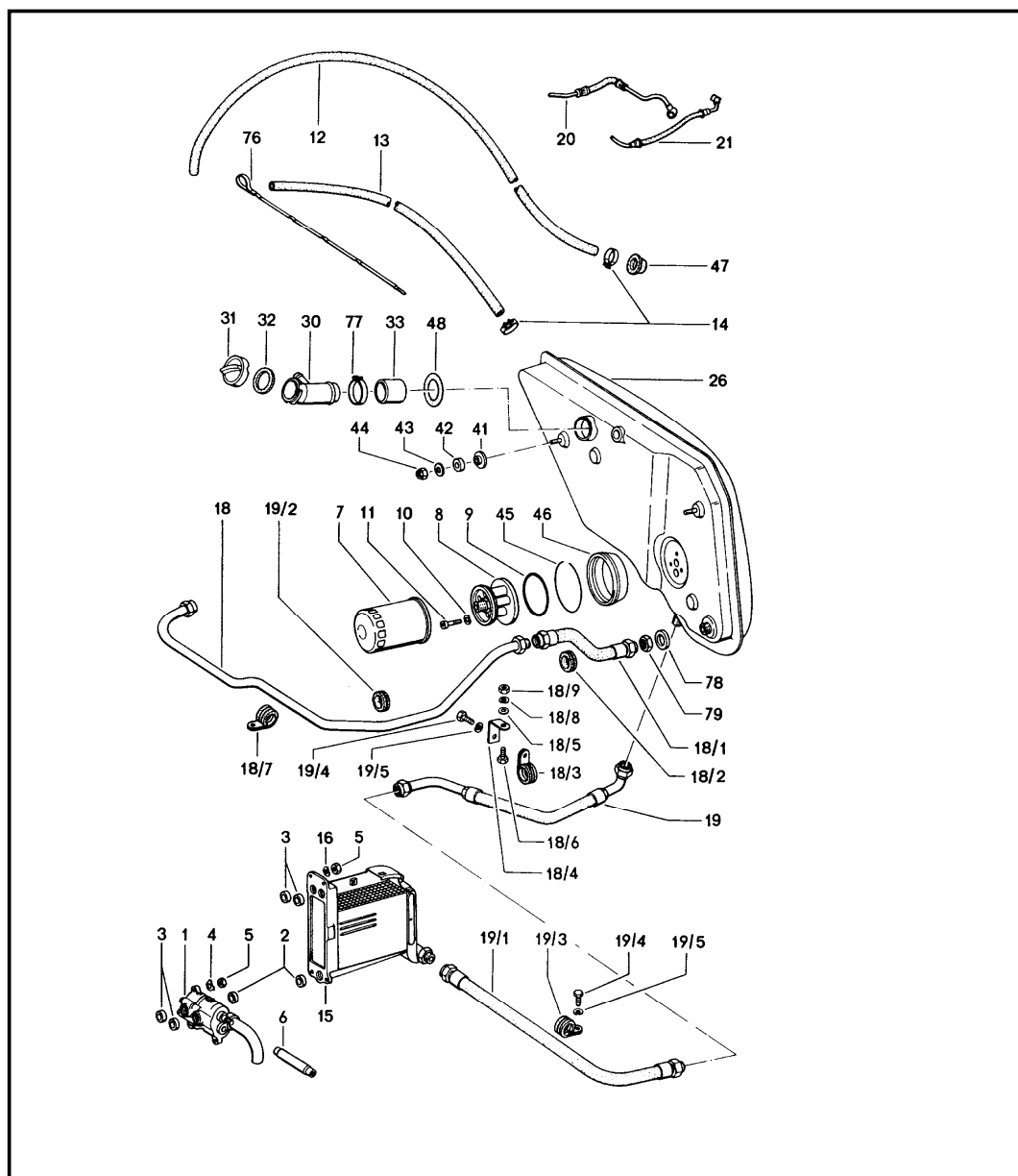
| Pos  | Part Number       | Description   | Remark | Qty | Model |
|------|-------------------|---|--------|-----|-------|
|      |                   | valve control right                                 |        |     | 914-6 |
| 1    | 901 105 529 00    | timing chain  |        | 1   |       |
| 2    | 911 105 222 05    | guide rail  |        | 3   |       |
| 3    | 901 105 226 03    | bolt for guide rail                                 |        | 4   |       |
| 4    | * 900 123 066 30  | sealing ring A 10 X 16                              |        | 4   |       |
| 5    | 901 105 506 02    | chain wheel support                                 | /R     | 1   |       |
| 6    | 901 105 055 00    | sprocket complete                                   |        | 1   |       |
| 7    | 901 105 056 01    | bolt complete                                       |        | 1   |       |
| 8    | 900 197 010 00    | tensioning sleeve 3 X 22                            |        | 1   |       |
| 9    | N 012 415 1       | circlip 15 X 1                                      |        | 1   |       |
| 10   | 901 105 050 01    | housing housing complete                            |        | 1   |       |
| 0-26 | * 930 105 049 00  | chain adjuster complete                             |        | 1   |       |
| -    | 911 105 901 00    | repair kit comprising: picture 12-15,18,20,21,24,26 |        | 1   |       |
| 11   | 930 105 559 00    | piston for chain adjuster                           |        | 1   |       |
| 12   | * --- --- --- --- | intermediate piece                                  |        | 1   |       |
| 13   | * --- --- --- --- | o-ring R 10 - 1,3                                   |        | 1   |       |
| 14   | * --- --- --- --- | housing for ball valve                              |        | 1   |       |
| 15   | * --- --- --- --- | ball 5 MM V   |        | 1   |       |

|       |      |    |    |              |              |     |              |            |         |     |         |
|-------|------|----|----|--------------|--------------|-----|--------------|------------|---------|-----|---------|
| Model | Year | MG | SG | Illustration | Restrictions | UPD | 18:06        | 30.01.2010 | PORSCHE | PET | PORSCHE |
| 914   | 1976 | 1  | 03 | 103-15       |              | 248 | USA / CANADA |            |         |     |         |

| Pos | Part Number       | Description                           | Remark | Qty | Model | Pos  | Part Number      | Description  | Remark | Qty | Model |
|-----|-------------------|---------------------------------------|--------|-----|-------|------|------------------|--|--------|-----|-------|
| 16  | 930 105 523 00    | spring guide                          |        | 1   |       | 38   | 901 105 546 02   | sprocket II  |        | 1   |       |
| 17  | 916 105 534 00    | compression spring for chain adjuster |        | 1   |       | 39   | 900 243 001 00   | straight pin A 6 H 8 X 14                          |        | 1   |       |
| 18  | * --- --- --- --- | circlip 16                            |        | 1   |       | 40   | 900 028 021 02   | spring washer B 30                                 |        | 1   |       |
| 19  | 901 105 557 01    | piston                                |        | 1   |       | 41   | 901 105 172 00   | nut for camshaft                                   |        | 1   |       |
| 20  | * --- --- --- --- | o-ring OR 8,3 - 2,4                   |        | 1   |       | 42   | 901 105 134 00   | camshaft   | /R     | 1   |       |
| 21  | * --- --- --- --- | o-ring OR 20,3 - 2,4                  |        | 1   |       | 43   | > 930 105 013 01 | intermediate shaft with timing gear number plate 0 | WW     | 1   |       |
| 22  | 930 105 535 01    | compression spring                    |        | 1   |       | (43) | > 930 105 013 11 | intermediate shaft with timing gear number plate 1 | WW     | 1   |       |
| 23  | 930 105 568 00    | concave washer                        |        | 1   |       | 44   | --- --- --- ---  | not available                                      |        | X   |       |
| 24  | * --- --- --- --- | circlip 28                            |        | 1   |       | 45   | --- --- --- ---  | not available                                      |        | X   |       |
| 25  | 930 105 573 00    | bleeder screw                         |        | 1   |       | 46   | 900 041 025 01   | circlip 36 X 1,75                                  |        | 2   |       |
| 26  | * --- --- --- --- | sealing ring A 6,5 X 9,5              |        | 1   |       | 47   | 900 041 026 01   | circlip 13 X 1                                     |        | 1   |       |
| 27  | N 012 241 1       | spring washer B 8 X 15                |        | 1   |       | 48   | 916 101 137 00   | thrust bearing for intermediate shaft              |        | 2   |       |
| 28  | 900 076 025 02    | hexagon nut M 8                       |        | 1   |       | 49   | 901 101 135 00   | bearing  |        | 2   |       |
| 29  | 930 105 197 05    | gasket                                |        | 1   |       | 50   | 901 105 275 00   | stopper  |        | 1   |       |
| 30  | * 999 701 124 40  | o-ring 67,5 X 75,5 X 4                |        | 1   |       | 51   | N 012 296 1      | circlip 16 X 1                                     |        | 1   |       |
| 31  | 930 105 196 00    | cover                                 |        | 1   |       |      |                  |  |        |     |       |
| 32  | 900 028 008 01    | spring washer B 6                     |        | 3   |       |      |                  |  |        |     |       |
| 33  | 900 075 017 02    | hexagon-head bolt M 6 X 25            |        | 3   |       |      |                  |  |        |     |       |
| 34  | 901 105 562 00    | thrust washer                         |        | 1   |       |      |                  |  |        |     |       |
| 35  | 901 105 561 00    | shim                                  |        | X   |       |      |                  |  |        |     |       |
| 36  | 901 105 583 01    | flange sprocket                       |        | 1   |       |      |                  |  |        |     |       |
| 37  | 900 118 005 00    | woodruff key 4 X 5                    |        | 1   |       |      |                  |  |        |     |       |



|       |      |    |    |              |              |     |              |            |         |     |         |
|-------|------|----|----|--------------|--------------|-----|--------------|------------|---------|-----|---------|
| Model | Year | MG | SG | Illustration | Restrictions | UPD | 18:07        | 30.01.2010 | PORSCHE | PET | PORSCHE |
| 914   | 1976 | 1  | 04 | 104-00       |              | 248 | USA / CANADA |            |         |     |         |

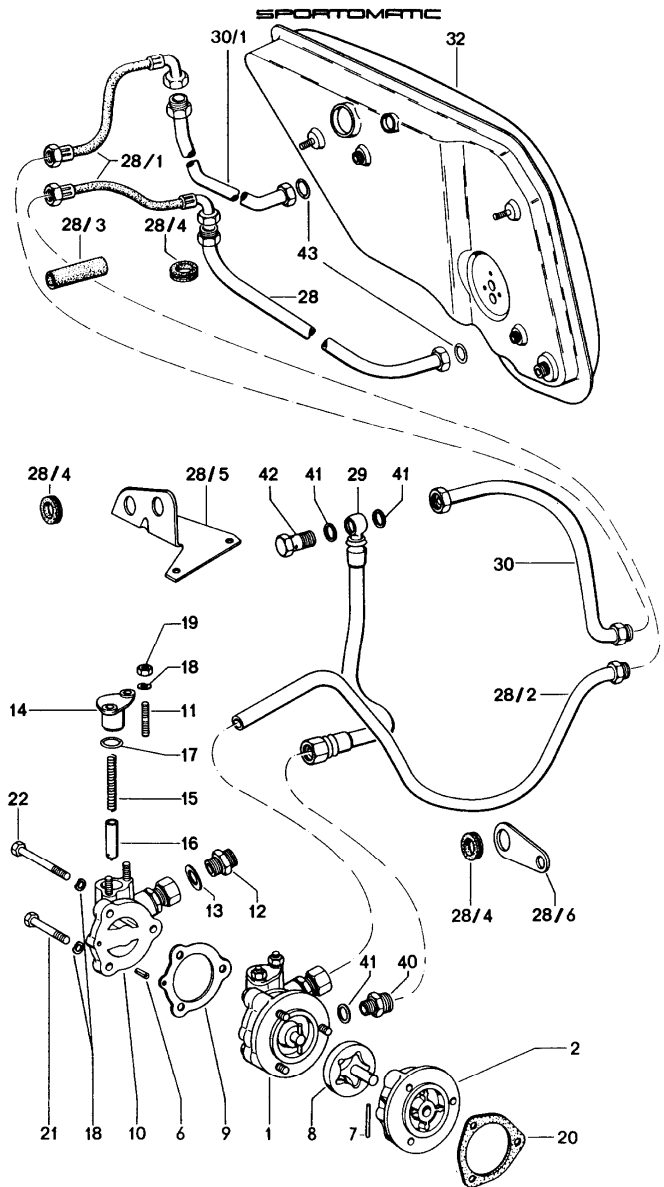


| Pos  | Part Number    | Description  | Remark | Qty | Model |
|------|----------------|--|--------|-----|-------|
|      |                | engine lubrication                                   |        |     | 914-6 |
| 1    | 901 107 002 06 | oil pump   |        | 1   |       |
| 2    | 999 704 173 50 | sealing ring   |        | 2   |       |
| 3    | 999 704 172 50 | sealing ring   |        | 4   |       |
| 4    | 999 039 001 00 | tab washer   |        | 3   |       |
| 5    | 900 076 025 02 | hexagon nut<br>M 8                                   |        | 7   |       |
| 6    | 901 107 121 00 | connecting shaft                                     |        | 1   |       |
| 7    | 901 107 203 09 | oil filter   |        | X   |       |
| 8    | 901 107 025 00 | bracket  |        | 1   |       |
| 9    | 999 701 100 50 | o-ring<br>R 72 - 4                                   |        | 1   |       |
| 10   | 900 028 003 01 | spring washer<br>A 6                                 |        | 3   |       |
| 11   | N 014 749 2    | pan-head screw<br>M 6 X 40                           |        | 3   |       |
| 12   | 901 107 394 01 | connecting hose<br>800 MM<br>crankcase<br>oil tank   |        | 1   |       |
| 13   | 901 107 394 02 | connecting hose<br>500 MM<br>oil tank<br>air cleaner |        | 1   |       |
| 14   | 999 512 356 02 | hose clamp<br>(22-36) X 9                            |        | 4   |       |
| 15   | 901 107 059 01 | oil cooler   |        | 1   |       |
| 16   | N 012 241 1    | spring washer<br>B 8 X 15                            |        | 4   |       |
| 18   | 901 107 820 02 | oil pipe<br>complete<br>pressure line                |        | 1   |       |
| 18/1 | 901 107 821 00 | hose line<br>pressure line                           |        | 1   |       |
| 18/2 | 999 702 132 50 | rubber sleeve<br>hose line                           |        | 1   |       |
| 18/3 | 999 511 076 02 | clamp  |        | 1   |       |

|       |      |    |    |              |              |     |              |            |         |     |         |
|-------|------|----|----|--------------|--------------|-----|--------------|------------|---------|-----|---------|
| Model | Year | MG | SG | Illustration | Restrictions | UPD | 18:07        | 30.01.2010 | PORSCHE | PET | PORSCHE |
| 914   | 1976 | 1  | 04 | 104-00       |              | 248 | USA / CANADA |            |         |     |         |

| Pos  | Part Number    | Description  | Remark | Qty | Model | Pos | Part Number    | Description                             | Remark | Qty | Model |
|------|----------------|--|--------|-----|-------|-----|----------------|---|--------|-----|-------|
| 18/4 | 901 107 084 00 | support  |        | 1   |       | 32  | 901 201 272 00 | sealing ring                            |        | 1   |       |
| 18/5 | N 011 524 7    | washer<br>6,4  |        | 1   |       | 33  | 901 107 691 10 | rubber boot<br>for<br>filler neck       |        | 1   |       |
| 18/6 | 900 075 010 02 | hexagon-head bolt<br>M 6 X 12                          |        | 1   |       | 41  | 901 107 692 00 | washer                                  |        | 2   |       |
| 18/7 | 999 511 076 02 | clamp<br>pressure line                                 |        | 1   |       | 42  | 901 107 693 01 | washer                                  |        | 2   |       |
| 18/8 | 900 028 008 01 | spring washer<br>B 6                                   |        | 1   |       | 43  | 900 151 008 02 | washer<br>A 8,4                         |        | 2   |       |
| 18/9 | 900 076 010 02 | hexagon nut<br>M 6                                     |        | 1   |       | 44  | N 021 194 1    | lock nut<br>M 8                         |        | 2   |       |
| 19   | 901 107 710 04 | hose line<br>intake pipe                               |        | 1   |       | 45  | 901 107 281 00 | circlip                                 |        | 1   |       |
| 19/1 | 901 107 823 03 | hose line<br>intake pipe                               |        | 1   |       | 46  | 901 107 291 00 | sealing ring<br>for<br>oil filter       |        | 1   |       |
| 19/2 | 999 702 089 50 | rubber sleeve<br>for<br>mount<br>hose line             |        | 1   |       | 47  | 901 107 695 40 | sealing ring<br>for<br>breather adapter |        | 1   |       |
| 19/3 | 999 511 077 02 | clamp<br>for<br>intake pipe                            |        | 1   |       | 48  | 901 107 696 40 | sealing ring<br>for<br>filler neck      |        | 1   |       |
| 19/4 | 900 075 087 02 | hexagon-head bolt<br>M 8 X 16                          |        | 2   |       | 76  | 901 107 770 40 | oil level dipstick<br>complete          |        | 1   |       |
| 19/5 | N 012 241 1    | spring washer<br>B 8 X 15                              |        | 2   |       | 77  | 999 512 073 02 | clamp<br>SP. 54 / 25                    |        | 1   |       |
| 20   | 901 107 347 01 | oil hose<br>complete<br>left<br>crankcase<br>camshaft  |        | 1   |       | 78  | 901 107 679 10 | sealing ring                            |        | 1   |       |
| 21   | 901 107 348 00 | oil hose<br>complete<br>right<br>crankcase<br>camshaft |        | 1   |       | 79  | 900 183 006 02 | hexagon nut<br>M 26 X 1,5               |        | 1   |       |
| 26   | 901 107 005 40 | oil tank<br>bodyshell                                  |        | 1   |       |     |                |   |        |     |       |
| 30   | 901 107 640 40 | filler neck  |        | 1   |       |     |                |   |        |     |       |
| 31   | 901 201 271 00 | fuel tank cap  |        | 1   |       |     |                |   |        |     |       |

|       |      |    |    |              |              |     |              |            |         |     |         |
|-------|------|----|----|--------------|--------------|-----|--------------|------------|---------|-----|---------|
| Model | Year | MG | SG | Illustration | Restrictions | UPD | 18:07        | 30.01.2010 | PORSCHE | PET | PORSCHE |
| 914   | 1976 | 1  | 04 | 104-05       |              | 248 | USA / CANADA |            |         |     |         |

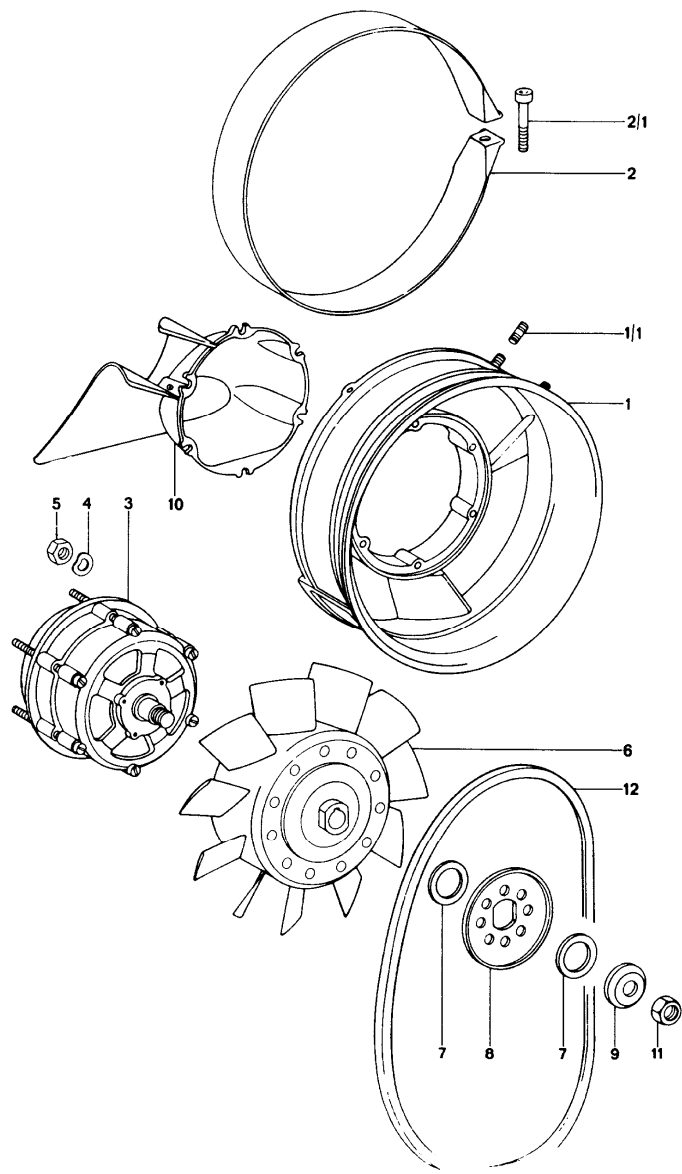


| Pos | Part Number    | Description                | Remark | Qty | Model     |
|-----|----------------|----------------------------|--------|-----|-----------|
|     |                |                            | -71    |     | 914-6:SPM |
| 1   | 905 107 006 04 | oil pump for converter     |        | 1   |           |
| 2   | 905 107 101 03 | oil pump rotor housing     |        | 1   |           |
| 6   | 900 197 017 00 | tensioning sleeve 4 X 14   |        | 1   |           |
| 7   | 900 302 001 00 | straight pin 4 M 6 X 32    |        | 1   |           |
| 8   | 905 107 901 01 | rotor set                  |        | 1   |           |
| 9   | 905 107 191 02 | gasket                     |        | 1   |           |
| 10  | 905 107 015 04 | lid complete               |        | 1   |           |
| 11  | 999 062 002 02 | stud BM 6 X 15             |        | 2   |           |
| 12  | 999 099 011 02 | union AM 10 -11            |        | 1   |           |
| 13  | 900 123 008 30 | sealing ring A 14 X 20     |        | 1   |           |
| 14  | 905 107 141 03 | flat connector             |        | 1   |           |
| 15  | 905 107 142 01 | compression spring         |        | 1   |           |
| 16  | 905 107 143 01 | slide                      |        | 1   |           |
| 17  | 999 701 135 50 | o-ring R 15 X 2,5          |        | 1   |           |
| 18  | 900 028 008 01 | spring washer B 6          |        | 5   |           |
| 19  | 900 076 010 02 | hexagon nut M 6            |        | 2   |           |
| 20  | 930 105 197 05 | gasket                     |        | 1   |           |
| 21  | 900 074 111 02 | hexagon-head bolt M 6 X 50 |        | 2   |           |
| 22  | 900 074 022 02 | hexagon-head bolt M 6 X 65 |        | 1   |           |

|       |      |    |    |              |              |     |              |            |         |     |         |
|-------|------|----|----|--------------|--------------|-----|--------------|------------|---------|-----|---------|
| Model | Year | MG | SG | Illustration | Restrictions | UPD | 18:07        | 30.01.2010 | PORSCHE | PET | PORSCHE |
| 914   | 1976 | 1  | 04 | 104-05       |              | 248 | USA / CANADA |            |         |     |         |

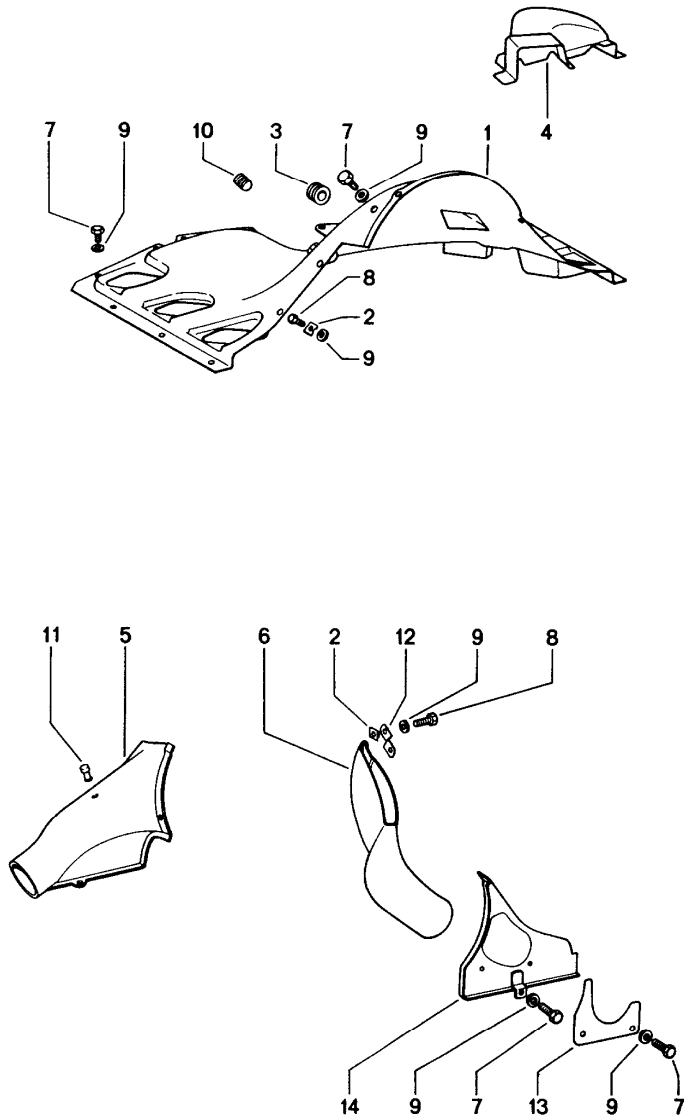
| Pos  | Part Number    | Description  | Remark | Qty | Model | Pos | Part Number    | Description                     | Remark | Qty | Model |
|------|----------------|--|--------|-----|-------|-----|----------------|---------------------------------|--------|-----|-------|
| 28   | 905 107 033 30 | intake pipe<br>I<br>complete<br>oil tank<br>oil hose       |        | 1   |       | 42  | 999 134 012 02 | banjo bolt<br>switch housing    |        | 1   |       |
| 28/1 | 905 107 019 30 | oil hose<br>complete<br>intake pipe<br>and<br>return line  |        | 2   |       | 43  | 901 107 678 45 | sealing ring<br>for<br>oil tank |        | 2   |       |
| 28/2 | 905 107 034 30 | intake pipe<br>II<br>complete<br>oil hose<br>oil pump      |        | 1   |       |     |                |                                 |        |     |       |
| 28/3 | 905 107 313 30 | hose piece<br>mount<br>intake pipe<br>I                    |        | 1   |       |     |                |                                 |        |     |       |
| 28/4 | 999 702 087 50 | rubber sleeve  |        | 5   |       |     |                |                                 |        |     |       |
| 28/5 | 905 107 718 30 | bracket<br>engine cover                                    |        | 1   |       |     |                |                                 |        |     |       |
| 28/6 | 905 107 311 30 | retaining bracket<br>for<br>intake pipe<br>II              |        | 1   |       |     |                |                                 |        |     |       |
| 29   | 905 107 038 02 | pressure pipe<br>complete<br>oil pump<br>switch housing    |        | 1   |       |     |                |                                 |        |     |       |
| 30   | 905 107 035 31 | return line<br>I<br>complete<br>switch housing<br>oil hose |        | 1   |       |     |                |                                 |        |     |       |
| 30/1 | 905 107 036 30 | return line<br>II<br>complete<br>oil hose<br>oil tank      |        | 1   |       |     |                |                                 |        |     |       |
| 32   | 901 107 005 40 | oil tank<br>bodysshell                                     |        | 1   |       |     |                |                                 |        |     |       |
| 40   | 999 136 007 02 | union  |        | 1   |       |     |                |                                 |        |     |       |
| 41   | 900 123 043 30 | sealing ring<br>A 12 X 15,5                                |        | 1   |       |     |                |                                 |        |     |       |

|       |      |    |    |              |              |     |              |            |         |     |         |
|-------|------|----|----|--------------|--------------|-----|--------------|------------|---------|-----|---------|
| Model | Year | MG | SG | Illustration | Restrictions | UPD | 18:07        | 30.01.2010 | PORSCHE | PET | PORSCHE |
| 914   | 1976 | 1  | 05 | 105-00       |              | 248 | USA / CANADA |            |         |     |         |



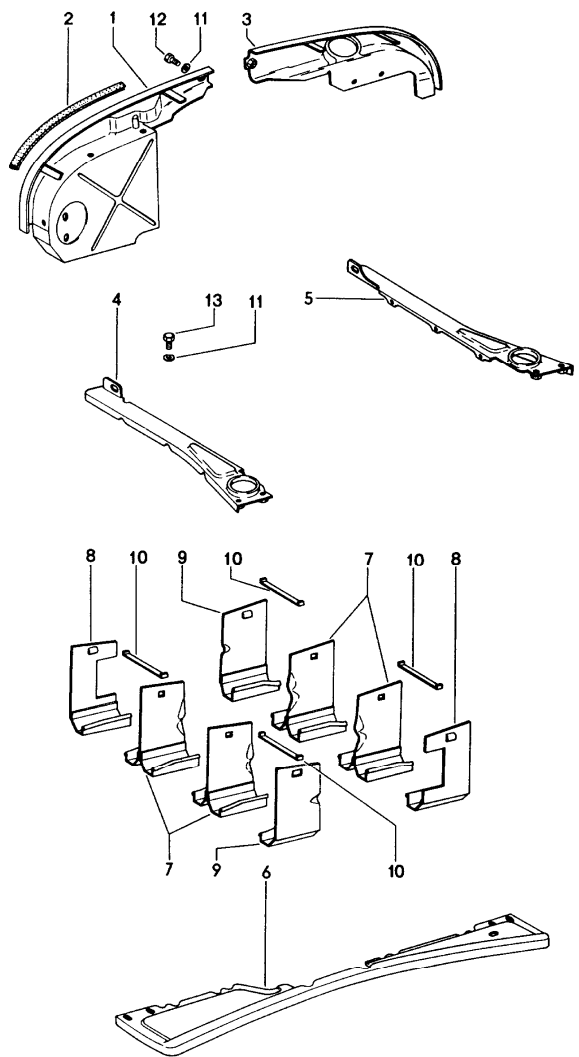
| Pos | Part Number      | Description                                     | Remark | Qty | Model |
|-----|------------------|---|--------|-----|-------|
|     |                  | air cooling                                     |        |     | 914-6 |
| 1   | 901 106 011 00   | fan housing complete                            |        | 1   |       |
| 1/1 | 999 062 006 02   | stud<br>BM 8 X 20                               |        | 2   |       |
| 2   | 964 106 251 20   | clip  |        | 1   |       |
| 2/2 | N 014 715 3      | pan-head screw<br>M 8 X 45                      |        | 1   |       |
| 3   | > 911 603 118 00 | generator<br>770 W                              |        | 1   |       |
| 4   | 900 028 008 01   | spring washer<br>B 6                            |        | 1   |       |
| 5   | 900 076 010 02   | hexagon nut<br>M 6                              |        | 6   |       |
| 6   | 901 106 010 03   | impeller complete                               |        | 1   |       |
| 7   | 901 105 561 00   | shim  |        | X   |       |
| 8   | 901 603 421 01   | pulley half                                     |        | 1   |       |
| 9   | 901 603 427 01   | tensioning cap<br>for generator<br>- bosch -    |        | 1   |       |
| (9) | 901 603 428 00   | tensioning cap<br>for generator<br>- MOTOROLA - |        | 1   |       |
| 10  | 911 106 033 00   | hub extension complete<br>black                 |        | 1   |       |
| 11  | 900 078 005 01   | hexagon nut<br>M 14 X 1,5                       |        | 1   |       |
| 12  | 999 192 176 50   | narrow v-belt<br>9,5 X 710                      |        | 1   |       |

|       |      |    |    |              |              |     |              |            |         |     |         |
|-------|------|----|----|--------------|--------------|-----|--------------|------------|---------|-----|---------|
| Model | Year | MG | SG | Illustration | Restrictions | UPD | 18:07        | 30.01.2010 | PORSCHE | PET | PORSCHE |
| 914   | 1976 | 1  | 05 | 105-05       |              | 248 | USA / CANADA |            |         |     |         |



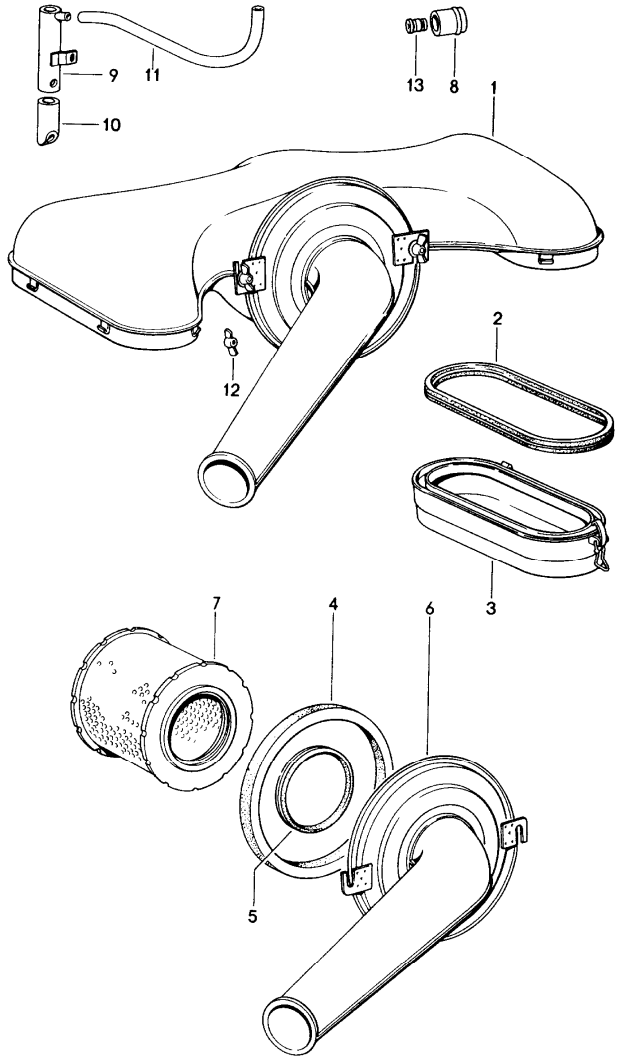
| Pos | Part Number    | Description                                 | Remark | Qty | Model |
|-----|----------------|---|--------|-----|-------|
|     |                | air duct                                    |        |     | 914-6 |
| 1   | 911 106 901 00 | air duct upper complete black               |        | 1   |       |
| 2   | 999 507 003 02 | speed nut B 6,3                             |        | 5   |       |
| (2) | 999 507 003 02 | speed nut B 6,3 for hot air socket          |        | 1   |       |
| 3   | 999 702 007 50 | rubber sleeve 20 X 8 X 10                   |        | X   |       |
| 4   | 911 106 406 00 | air duct for oil cooler                     |        | 1   |       |
| 5   | 901 106 321 02 | hot air socket                              | /H/L   | 1   |       |
| 6   | 911 106 327 00 | hot air socket                              | /H/R   | 1   |       |
| 7   | 900 075 010 02 | hexagon-head bolt M 6 X 12                  |        | 18  |       |
| 8   | 900 187 015 02 | tapping screw B 6,3 X 16 for air duct upper |        | 4   |       |
| 9   | N 011 524 7    | washer 6,4                                  |        | 22  |       |
| (9) | N 011 524 7    | washer 6,4 for hot air socket               |        | 1   |       |
| 10  | 999 703 092 40 | stopper 9 X 18,5 / 14                       |        | 1   |       |
| 11  | 999 703 013 50 | stopper                                     |        | 1   |       |
| 12  | 911 106 331 00 | support                                     |        | 1   |       |
| 13  | 911 106 827 00 | closing plate                               | /R     | 1   |       |
| 14  | 911 106 036 00 | cover plate complete                        | /H/R   | 1   |       |

|       |      |    |    |              |              |     |              |            |         |     |         |
|-------|------|----|----|--------------|--------------|-----|--------------|------------|---------|-----|---------|
| Model | Year | MG | SG | Illustration | Restrictions | UPD | 18:07        | 30.01.2010 | PORSCHE | PET | PORSCHE |
| 914   | 1976 | 1  | 05 | 105-10       |              | 248 | USA / CANADA |            |         |     |         |



| Pos | Part Number    | Description                                 | Remark | Qty | Model |
|-----|----------------|---|--------|-----|-------|
|     |                | engine cover<br>air duct                    |        |     | 914-6 |
| 1   | 901 106 076 00 | engine cover                                |        | 1   |       |
| -   | 999 613 017 40 | covering<br>for<br>cable holder             |        | 1   |       |
| 3   | 901 106 075 00 | engine cover                                |        | 1   |       |
| 4   | 901 106 073 00 | engine cover<br>complete<br>cylinder<br>1-3 |        | 1   |       |
| 5   | 901 106 074 00 | engine cover<br>complete<br>cylinder<br>4-6 |        | 1   |       |
| 6   | 901 106 817 00 | engine cover                                |        | 1   |       |
| 7   | 901 106 035 01 | baffle plate<br>complete<br>centre          |        | 4   |       |
| 8   | 901 106 041 00 | baffle plate<br>left front, right rear      |        | 2   |       |
| 9   | 901 106 039 01 | baffle plate<br>right front, left rear      |        | 2   |       |
| 10  | 930 106 228 00 | leaf spring                                 |        | 4   |       |
| 11  | N 011 524 7    | washer<br>6,4                               |        | 25  |       |
| 12  | N 010 208 5    | hexagon-head bolt<br>M 6 X 8                |        | 1   |       |
| 13  | 900 075 010 02 | hexagon-head bolt<br>M 6 X 12               |        | 22  |       |

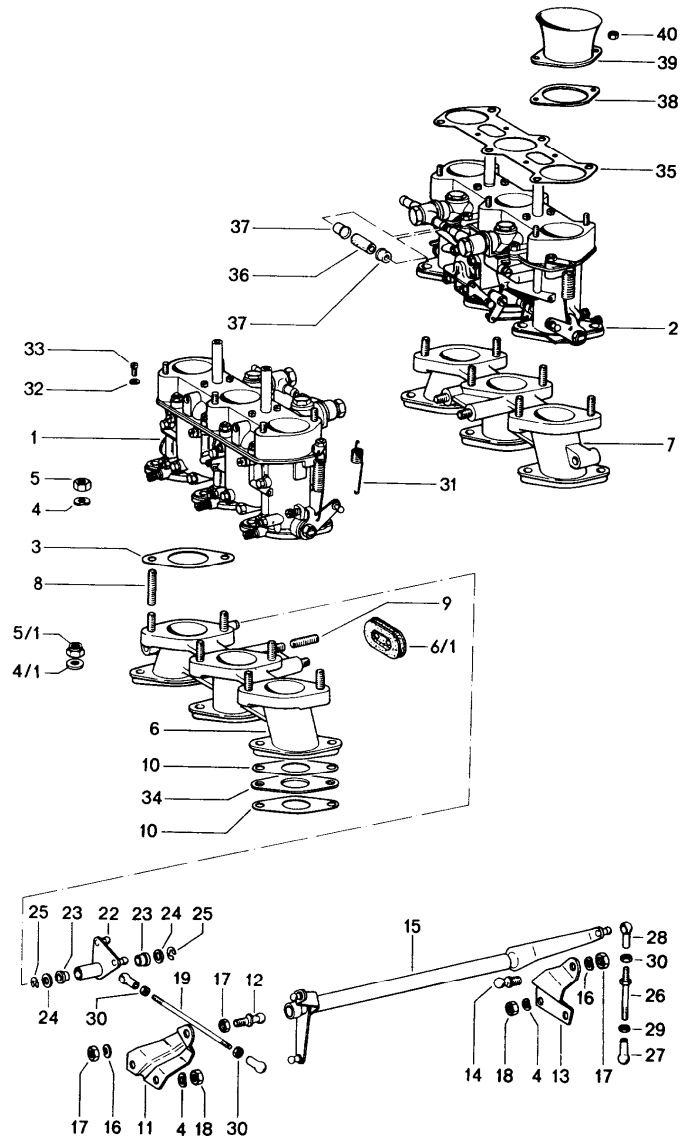
|       |      |    |    |              |              |     |              |            |         |     |         |
|-------|------|----|----|--------------|--------------|-----|--------------|------------|---------|-----|---------|
| Model | Year | MG | SG | Illustration | Restrictions | UPD | 18:08        | 30.01.2010 | PORSCHE | PET | PORSCHE |
| 914   | 1976 | 1  | 06 | 106-00       |              | 248 | USA / CANADA |            |         |     |         |



| Pos | Part Number    | Description           | Remark | Qty | Model |
|-----|----------------|-----------------------|--------|-----|-------|
|     |                | air cleaner system    |        |     | 914-6 |
| 1   | 911 108 001 02 | air cleaner system    |        | 1   |       |
| 2   | 901 108 214 03 | gasket                |        | 2   |       |
| 3   | 911 108 014 00 | connecting piece      |        | 2   |       |
| 4   | 901 108 215 00 | gasket                |        | 1   |       |
| 5   | 901 108 983 00 | gasket                |        | 1   |       |
| 6   | 911 108 041 01 | lid                   |        | 1   |       |
| 7   | 901 108 955 11 | filter element        |        | 1   |       |
| 8   | 901 107 729 00 | backfire grid         |        | 1   |       |
| 9   | 911 108 021 00 | pipe                  |        | 1   |       |
| 10  | 253 260 180    | valve                 |        | 1   |       |
| -   | 999 180 030 50 | fuel hose<br>C 7 X 12 |        | *   |       |
| 11  | -              | 285 MM                |        | 1   |       |
| 12  | 999 044 001 02 | winged nut<br>M 8     |        | 2   |       |
| -   | 900 025 038 40 | washer<br>8,4         |        | 2   |       |



|       |      |    |    |              |              |     |              |            |         |     |         |
|-------|------|----|----|--------------|--------------|-----|--------------|------------|---------|-----|---------|
| Model | Year | MG | SG | Illustration | Restrictions | UPD | 18:08        | 30.01.2010 | PORSCHE | PET | PORSCHE |
| 914   | 1976 | 1  | 07 | 107-00       |              | 248 | USA / CANADA |            |         |     |         |

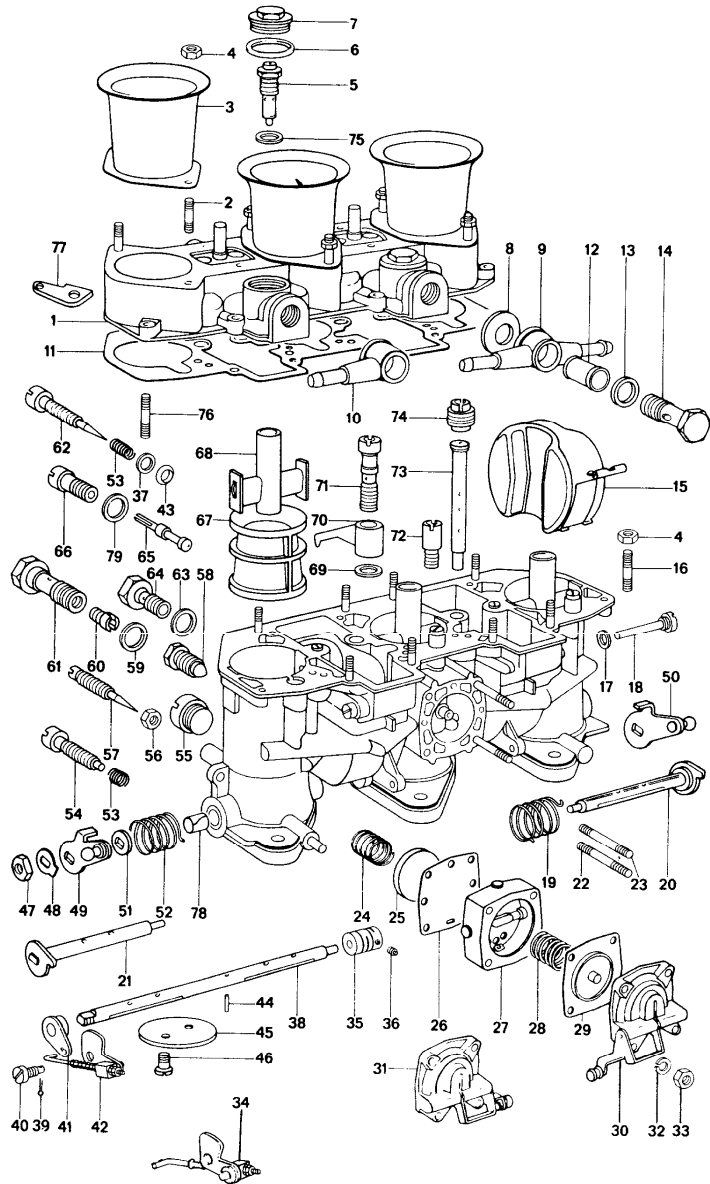


| Pos | Part Number    | Description   | Remark | Qty | Model     |
|-----|----------------|---|--------|-----|-----------|
| 1   | 901 108 115 00 | carburettor<br>40 IDT P 1 3 C 1<br>carburettor<br>4 - 6 |        | 1   | 914-6     |
| 2   | 901 108 126 01 | carburettor<br>40 IDT P 1 3 C<br>cylinder<br>1 - 3      |        | 1   |           |
| 3   | 901 108 398 01 | gasket  |        | 6   |           |
| 3   | 901 108 398 01 | gasket<br>without asbestos<br>for<br>carburettor        |        | 6   |           |
| 4   | N 012 241 1    | spring washer<br>B 8 X 15                               |        | 16  |           |
| 4/1 | 900 031 014 30 | washer<br>8,4   |        | 12  |           |
| 5   | 502 08 310     | nut   |        | 12  |           |
| 5/1 | 999 084 601 02 | lock nut<br>M 8 SNM 8                                   |        | 12  |           |
| 6   | 901 108 039 04 | intake manifold<br>complete                             | /L     | 1   | 901/36/38 |
| (6) | 905 108 031 04 | intake manifold<br>complete                             | /L     | 1   | 901/37/39 |
| 6/1 | 999 703 076 50 | rubber sleeve<br>intake manifold                        |        | 2   |           |
| 7   | 901 108 040 13 | intake manifold<br>complete                             | /R     | 1   | 901/36/37 |
| (7) | 901 108 040 12 | intake manifold<br>complete                             | /R     | 1   | 901/38/39 |
| 8   | 999 062 007 02 | stud<br>BM 8 X 22                                       |        | 12  |           |
| 9   | 900 061 022 01 | stud<br>M 8 X 12  |        | 4   |           |
| 10  | 901 108 391 04 | gasket<br>for<br>intake manifold                        |        | 12  |           |
| 11  | 901 108 843 00 | bearing lever   | /L     | 1   |           |

|       |      |    |    |              |              |     |              |            |         |     |         |
|-------|------|----|----|--------------|--------------|-----|--------------|------------|---------|-----|---------|
| Model | Year | MG | SG | Illustration | Restrictions | UPD | 18:08        | 30.01.2010 | PORSCHE | PET | PORSCHE |
| 914   | 1976 | 1  | 07 | 107-00       |              | 248 | USA / CANADA |            |         |     |         |

| Pos  | Part Number    | Description                 | Remark | Qty | Model            | Pos | Part Number    | Description                    | Remark | Qty | Model |
|------|----------------|-----------------------------|--------|-----|------------------|-----|----------------|--------------------------------|--------|-----|-------|
| 12   | 999 167 020 02 | ball pin                    |        | 1   |                  | 29  | 900 076 029 02 | hexagon nut<br>M 5<br>left     |        | 2   |       |
| 13   | 901 108 844 00 | bearing lever               | /R     | 1   |                  |     |                |                                |        |     |       |
| 14   | 999 167 020 02 | ball pin                    |        | 1   |                  | 30  | 900 076 027 02 | hexagon nut<br>M 5             |        | 4   |       |
| 15   | 911 108 071 00 | actuating lever<br>complete |        | 1   | 901/36/37        | 31  | 901 108 631 00 | tension spring                 |        | 2   |       |
| (15) | 911 108 071 01 | actuating lever<br>complete |        | 1   | 901/38/39        | 32  | N 012 224 3    | spring washer<br>B 4           |        | 8   |       |
| 16   | N 012 241 1    | spring washer<br>B 8 X 15   |        | 2   |                  | 33  | 900 014 073 02 | pan-head screw<br>M 4 X 10     |        | 8   |       |
| 17   | N 011 118 11   | hexagon nut<br>BM 8         |        | 3   |                  | 34  | 901 108 131 00 | intermediate flange            |        | 6   |       |
| 18   | 502 08 310     | nut                         |        | 4   |                  | 35  | 901 108 218 00 | gasket                         |        | 2   |       |
| 19   | 901 108 648 00 | pull rod                    |        | 1   |                  | 36  | 999 180 030 50 | fuel hose<br>C 7 X 12<br>60 MM |        | *   |       |
| 22   | 901 108 710 00 | reverse lever               |        | 1   | 901/36/38        | 37  | 901 108 219 00 | cap                            |        | 4   |       |
| (22) | 905 108 070 02 | reverse lever               |        | 1   | 901/37/39<br>SPM | 38  | 911 110 391 00 | gasket                         |        | 6   |       |
| (22) | 901 108 720 00 | reverse lever               |        | 1   |                  | 39  | PCG 108 322 01 | intake trumpet                 |        | 6   |       |
| 23   | 901 423 253 00 | bearing sleeve              |        | 2   |                  | 40  | N 021 196 1    | lock nut<br>M 5                |        | 12  |       |
| -    | 900 089 011 02 | washer<br>4                 |        | 1   | SPM              |     |                |                                |        |     |       |
| -    | N 012 224 3    | spring washer<br>B 4        |        | 1   | SPM              |     |                |                                |        |     |       |
| -    | 900 067 080 02 | pan-head screw<br>M 4 X 10  |        | 1   | SPM              |     |                |                                |        |     |       |
| 24   | 900 031 001 02 | washer<br>8,4               |        | 2   |                  |     |                |                                |        |     |       |
| 25   | 900 116 009 01 | lock washer<br>6            |        | 2   |                  |     |                |                                |        |     |       |
| 26   | 901 108 089 00 | push rod<br>complete        |        | 2   |                  |     |                |                                |        |     |       |
| 27   | 900 169 010 02 | ball socket<br>A 8<br>left  |        | 2   |                  |     |                |                                |        |     |       |
| 28   | N 015 521 3    | ball socket<br>A 8          |        | 4   |                  |     |                |                                |        |     |       |

|       |      |    |    |              |              |     |              |            |         |     |         |
|-------|------|----|----|--------------|--------------|-----|--------------|------------|---------|-----|---------|
| Model | Year | MG | SG | Illustration | Restrictions | UPD | 18:08        | 30.01.2010 | PORSCHE | PET | PORSCHE |
| 914   | 1976 | 1  | 07 | 107-05       |              | 248 | USA / CANADA |            |         |     |         |



| Pos | Part Number    | Description   | Remark | Qty | Model |
|-----|----------------|---|--------|-----|-------|
|     |                | carburettor<br>repair material<br>WEBER - 40 IDTP1 3C - 3C1 |        |     | 914-6 |
| 1   | 901 100 930 01 | lid<br>carburettor<br>with<br>stud                          |        | 1   |       |
| 2   | 901 100 932 00 | stud  |        | 6   |       |
| 3   | PCG 108 322 01 | intake trumpet  |        | 3   |       |
| 4   | 901 100 814 00 | nut   |        | 16  |       |
| 5   | 901 100 934 00 | carburettor needle valve<br>1,75                            |        | 2   |       |
| 6   | PCG 100 914 00 | sealing ring  |        | 2   |       |
| 7   | 901 100 801 00 | screw plug  |        | 2   |       |
| 8   | 901 100 915 00 | sealing ring  |        | 2   |       |
| 9   | 901 100 935 00 | connecting piece<br>fuel strainer                           |        | 1   |       |
| 10  | 901 100 936 00 | connecting piece<br>fuel strainer                           |        | 1   |       |
| 11  | 901 100 937 00 | sealing ring  |        | 1   |       |
| 12  | 901 100 808 00 | fuel strainer   |        | 2   |       |
| 13  | 901 100 916 00 | sealing ring  |        | 2   |       |
| 14  | 901 100 938 00 | screw plug  |        | 2   |       |
| 15  | 901 100 807 00 | float   |        | 2   |       |
| 15  | 901 100 807 01 | float   |        | 2   |       |
| 16  | 901 100 813 00 | stud  |        | 9   |       |
| 17  | 901 100 917 00 | sealing ring  |        | 2   |       |
| 18  | 901 100 811 00 | screw<br>for<br>float<br>axle                               |        | 2   |       |
| 19  | 901 100 939 00 | spring  |        | 1   |       |
| 20  | 901 100 941 01 | shaft<br>40 IDTP 3 C1                                       | /L     | 1   |       |

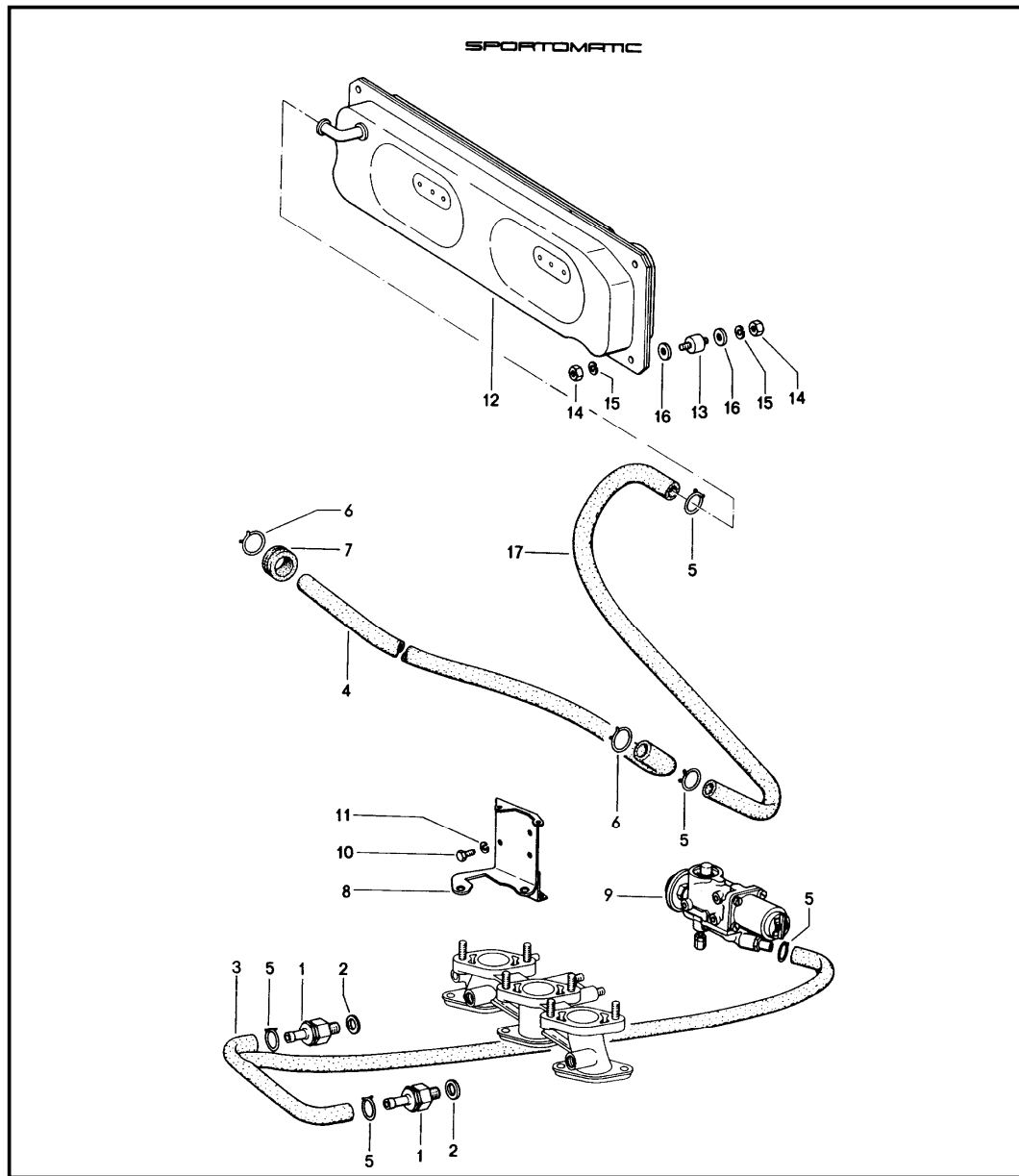
|       |      |    |    |              |              |     |              |            |         |     |         |
|-------|------|----|----|--------------|--------------|-----|--------------|------------|---------|-----|---------|
| Model | Year | MG | SG | Illustration | Restrictions | UPD | 18:08        | 30.01.2010 | PORSCHE | PET | PORSCHE |
| 914   | 1976 | 1  | 07 | 107-05       |              | 248 | USA / CANADA |            |         |     |         |

| Pos | Part Number    | Description                   | Remark | Qty | Model | Pos | Part Number    | Description                      | Remark | Qty | Model |
|-----|----------------|-------------------------------|--------|-----|-------|-----|----------------|----------------------------------|--------|-----|-------|
| 21  | 901 100 940 01 | shaft<br>40 IDTP 3 C          |        | 1   |       | 44  | 901 100 812 00 | pin                              |        | 1   |       |
| 22  | 901 100 942 00 | stud                          |        | 2   |       | 45  | 901 100 965 00 | flap                             |        | 3   |       |
| 23  | 901 100 943 01 | stud                          |        | 2   |       | 46  | 901 100 966 01 | screw                            |        | 6   |       |
| 24  | 901 100 944 00 | spring                        |        | 1   |       | 47  | 901 100 803 00 | nut                              |        | 1   |       |
| 25  | 901 100 945 00 | valve<br>closed               |        | 1   |       | 48  | 901 100 967 01 | spacer                           |        | 1   |       |
| 26  | 901 100 946 00 | diaphragm                     |        | 1   |       | 49  | 901 100 969 02 | lever<br>40 IDTP 3C1             | /L     | 1   |       |
| 27  | 901 100 947 00 | lower part<br>pump            |        | 1   |       | 50  | 901 100 968 02 | lever<br>40 IDTP 3C              | /R     | 1   |       |
| 28  | 901 100 948 00 | spring                        |        | 1   |       | 51  | 901 100 971 01 | spacer                           |        | 1   |       |
| 29  | 901 100 949 00 | diaphragm                     |        | 1   |       | 52  | 901 100 972 00 | spring                           |        | 1   |       |
| 30  | 901 100 951 00 | lid<br>pump<br>40 IDTP 3C     | /L     | 1   |       | 53  | 901 100 805 00 | spring                           |        | 4   |       |
| 31  | 901 100 950 00 | lid<br>pump<br>40 IDTP 3C1    | /R     | 1   |       | 54  | 901 100 804 00 | adjusting screw<br>flap          |        | 1   |       |
| 32  | 901 100 952 00 | lock ring                     |        | 4   |       | 55  | 901 100 973 00 | screw                            |        | 3   |       |
| 33  | 901 100 953 01 | nut                           |        | 4   |       | 56  | 901 100 809 00 | nut                              |        | 3   |       |
| 34  | 901 100 912 01 | linkage<br>40 IDTP 3C         | /R     | 1   |       | 57  | 901 100 974 00 | adjusting screw                  |        | 3   |       |
| 35  | 901 100 955 01 | connecting piece              |        | 1   |       | 58  | 901 100 976 01 | fastening screw<br>for<br>funnel |        | 1   |       |
| 36  | 901 100 954 03 | screw                         |        | 4   |       | 59  | 901 100 977 00 | sealing ring                     |        | 3   |       |
| 37  | 901 100 956 02 | spacer                        |        | 3   |       | 60  | 901 100 978 16 | main vent<br>105                 |        | 3   |       |
| 38  | 901 100 958 01 | shaft                         |        | 1   |       | 61  | 901 100 979 00 | jet carrier                      |        | 3   |       |
| 39  | 616 100 812 00 | retaining spring              |        | 1   |       | 62  | PCG 100 980 02 | adjusting screw                  |        | 3   |       |
| 40  | 901 100 960 01 | screw<br>for<br>float<br>axle |        | 1   |       | 63  | 901 100 918 00 | sealing ring                     |        | 2   |       |
| 41  | 901 100 961 00 | lever                         |        | 1   |       | 64  | 901 100 806 00 | drain plug                       |        | 2   |       |
| 42  | 901 100 911 01 | linkage<br>40 IDTP 3C1        | /L     | 1   |       | 65  | 901 100 981 06 | idle jet<br>0,45                 |        | 3   |       |
| 43  | 901 100 998 00 | sealing ring                  |        | 3   |       | 66  | 901 100 982 00 | jet carrier                      |        | 3   |       |
|     |                |                               |        |     |       | 67  | 901 100 983 03 | funnel<br>\$ 27                  |        | 3   |       |

|       |      |    |    |              |              |     |              |            |         |     |         |
|-------|------|----|----|--------------|--------------|-----|--------------|------------|---------|-----|---------|
| Model | Year | MG | SG | Illustration | Restrictions | UPD | 18:08        | 30.01.2010 | PORSCHE | PET | PORSCHE |
| 914   | 1976 | 1  | 07 | 107-05       |              | 248 | USA / CANADA |            |         |     |         |

| Pos  | Part Number    | Description               | Remark | Qty | Model | Pos | Part Number | Description | Remark | Qty | Model |
|------|----------------|---------------------------|--------|-----|-------|-----|-------------|-------------|--------|-----|-------|
| 68   | 901 100 985 00 | atomiser<br>4,50          |        | 3   |       |     |             |             |        |     |       |
| 69   | 901 100 919 00 | sealing ring              |        | 3   |       |     |             |             |        |     |       |
| 70   | 901 100 986 00 | pump jet<br>050           |        | 3   |       |     |             |             |        |     |       |
| -    | 901 100 986 05 | pump jet<br>050<br>+ 2 MM |        | 3   |       |     |             |             |        |     |       |
| 71   | 901 100 987 00 | pressure valve            |        | 3   |       |     |             |             |        |     |       |
| 72   | 901 100 810 00 | suction valve<br>closed   |        | 1   |       |     |             |             |        |     |       |
| 73   | 901 100 988 04 | pipe<br>F 1               |        | 3   |       |     |             |             |        |     |       |
| 74   | 901 100 989 01 | air correction jet<br>170 |        | 3   |       |     |             |             |        |     |       |
| 75   | 901 100 990 01 | sealing ring<br>1 MM      |        | 2   |       |     |             |             |        |     |       |
| (75) | 901 100 995 00 | sealing ring<br>0,25 MM   |        | 2   |       |     |             |             |        |     |       |
| (75) | 901 100 996 00 | sealing ring<br>0,5 MM    |        | 2   |       |     |             |             |        |     |       |
| 76   | 901 100 802 00 | stud                      |        | 1   |       |     |             |             |        |     |       |
| 77   | 901 100 993 00 | bracket                   |        | 1   |       |     |             |             |        |     |       |
| 78   | 901 100 997 00 | bush                      |        | 2   |       |     |             |             |        |     |       |
| 79   | 901 100 998 00 | sealing ring              |        | 3   |       |     |             |             |        |     |       |

|       |      |    |    |              |              |     |              |            |         |     |         |
|-------|------|----|----|--------------|--------------|-----|--------------|------------|---------|-----|---------|
| Model | Year | MG | SG | Illustration | Restrictions | UPD | 18:08        | 30.01.2010 | PORSCHE | PET | PORSCHE |
| 914   | 1976 | 1  | 07 | 107-20       |              | 248 | USA / CANADA |            |         |     |         |



| Pos | Part Number    | Description                      | Remark | Qty | Model     |
|-----|----------------|----------------------------------|--------|-----|-----------|
|     |                | vacuum system for clutch release | -71    |     | 914-6:SPM |
| 1   | 905 116 725 00 | check valve                      |        | 2   |           |
| 2   | 900 123 008 30 | sealing ring A 14 X 20           |        | 2   |           |
| 3   | 905 108 075 00 | moulded hose                     |        | 1   |           |
| 4   | 905 108 703 00 | hose 15 X 3,5 X 560 MM           |        | 1   |           |
| 5   | 999 512 140 02 | hose clamp \$ 19,05              |        | 5   |           |
| 6   | 999 512 141 02 | hose clamp \$ 22,23              |        | 2   |           |
| 7   | 999 702 064 50 | rubber sleeve                    |        | 1   |           |
| (7) | 999 702 093 50 | rubber sleeve                    |        | 1   |           |
| 8   | 905 108 043 00 | support                          |        | 1   |           |
| 9   | 905 108 370 00 | control valve                    |        | 1   |           |
| 10  | 900 075 010 02 | hexagon-head bolt M 6 X 12       |        | 3   |           |
| 11  | 900 028 008 01 | spring washer B 6                |        | 3   |           |
| 12  | 914 116 033 10 | vacuum tank                      |        | 1   |           |
| 13  | 901 504 853 20 | bearing                          |        | 3   |           |
| 14  | 900 076 010 02 | hexagon nut M 6                  |        | 6   |           |
| 15  | N 012 007 2    | lock ring A 6                    |        | 6   |           |
| 16  | N 011 524 7    | washer 6,4                       |        | 6   |           |
| 17  | 905 108 708 30 | vacuum hose 12 X 3,5 X 680 MM    |        | 1   |           |

|       |      |    |    |              |              |     |              |            |
|-------|------|----|----|--------------|--------------|-----|--------------|------------|
| Model | Year | MG | SG | Illustration | Restrictions | UPD | 18:08        | 30.01.2010 |
| 914   | 1976 | 1  | 11 | 111-00       |              | 248 | USA / CANADA |            |

| Pos | Part Number     | Description  | Remark | Qty | Model        |
|-----|-----------------|--|--------|-----|--------------|
|     |                 | replacement engine   |        |     | 914          |
|     |                 | replacement engine<br>complete<br>with<br>generator<br>clutch<br>without<br>exhaust silencer<br>heat exchanger |        |     |              |
| -   | 022 100 025 B   | engine<br>80 PS<br>M >> W0 057 460   |        | 1   | 914-4        |
| -   | 022 100 027 D   | engine<br>80 PS<br>M W0 057 461 >><br>M >> W0 129 581  |        | 1   | 914-4        |
| -   | 022 100 058 DX  | engine<br>exchange<br>59 KW, 80 DIN-PS<br>use also:<br>F >>47229 21580<br>022.129.607.H                        |        | 1   | 914-4        |
| -   | 022 100 027 T   | engine<br>80 PS<br>M W0 129 582 >><br>M >> W0 170 000  |        | 1   | 914-4        |
| -   | > 022 100 025 H | engine<br>80 PS<br>M >> W0 129 581   |        | 1   | 914-4        |
| -   | 022 100 053 B   | engine<br>80 PS<br>M >>EA0 057 000   |        | 1   | 914-4        |
| -   | 022 100 057     | engine<br>72 PS<br>M >>EB0 010 020   |        | 1   | 914-1,7      |
| -   | 022 100 058 J   | engine<br>80 PS<br>M EA0 057 001>><br>M >>EA0 098 793  |        | 1   | 914-1,7      |
| -   | 022 100 057 R   | engine<br>76 PS<br>M >>EC0 037 551   |        | 1   | 914-1,8      |
| -   | 022 100 061 B   | engine<br>76 PS<br>M >>EC0 037 551   |        | 1   | 914-1,8(CAL) |
| -   | 022 100 061 G   | engine<br>76 PS<br>M EC0 037 552>>   |        | 1   | 914-1,8      |

|       |      |    |    |              |              |     |              |            |
|-------|------|----|----|--------------|--------------|-----|--------------|------------|
| Model | Year | MG | SG | Illustration | Restrictions | UPD | 18:08        | 30.01.2010 |
| 914   | 1976 | 1  | 11 | 111-00       |              | 248 | USA / CANADA |            |

| Pos | Part Number    | Description  | Remark | Qty | Model        |
|-----|----------------|--|--------|-----|--------------|
| -   | 022 100 061 H  | engine<br>76 PS<br>M EC0 037 552>>   |        | 1   | 914-1,8(CAL) |
| -   | 039 100 053 A  | engine<br>95 PS<br>M >>GA0 016 000   |        | 1   | 914-2,0      |
| -   | 039 100 053 B  | engine<br>88 PS<br>M GC0 000 001   |        | 1   | 914-2,0      |
| -   | 039 100 055    | engine<br>88 PS<br>M GC0 000 001   |        | 1   | 914-2,0(CAL) |
| -   | 022 100 173    | sticker<br>ignition point<br>27'<br>M >> W0 170 000<br>M >>EA0 057 000   |        | 1   | 914-4        |
| -   | 022 100 173    | sticker<br>ignition point<br>27'<br>M EA0 057 001>><br>M >>EA0 098 793<br>M >>EB0 010 020<br>M >>GA0 016 000   |        | 1   | 914-4/2,0    |
| -   | 039 100 175    | sticker<br>valve clearance<br>M >>GA0 016 000  |        | 1   | 914-2,0      |
| -   | 022 100 173 B  | sticker  |        | 1   | 914-1,8      |
| -   | 022 100 173 C  | sticker  |        | 1   | 914-1,8(CAL) |
| -   | 022 100 031 PX | short engine<br>exchange<br>59 KW, 80 DIN-PS<br>D-JETRONIC<br>with<br>cylinder head<br>oil cooler<br>flywheel<br><br>we take back:<br>022.100.031.P<br>022.100.025.H | A)     | 1   | 022.W ,EA/US |
| -   | PCG 100 031 X  | short engine<br>exchange<br>74 KW, 100 DIN-PS<br>with<br>cylinder head<br>oil cooler<br>flywheel   |        | 1   | 039.GB       |



PORSCHE

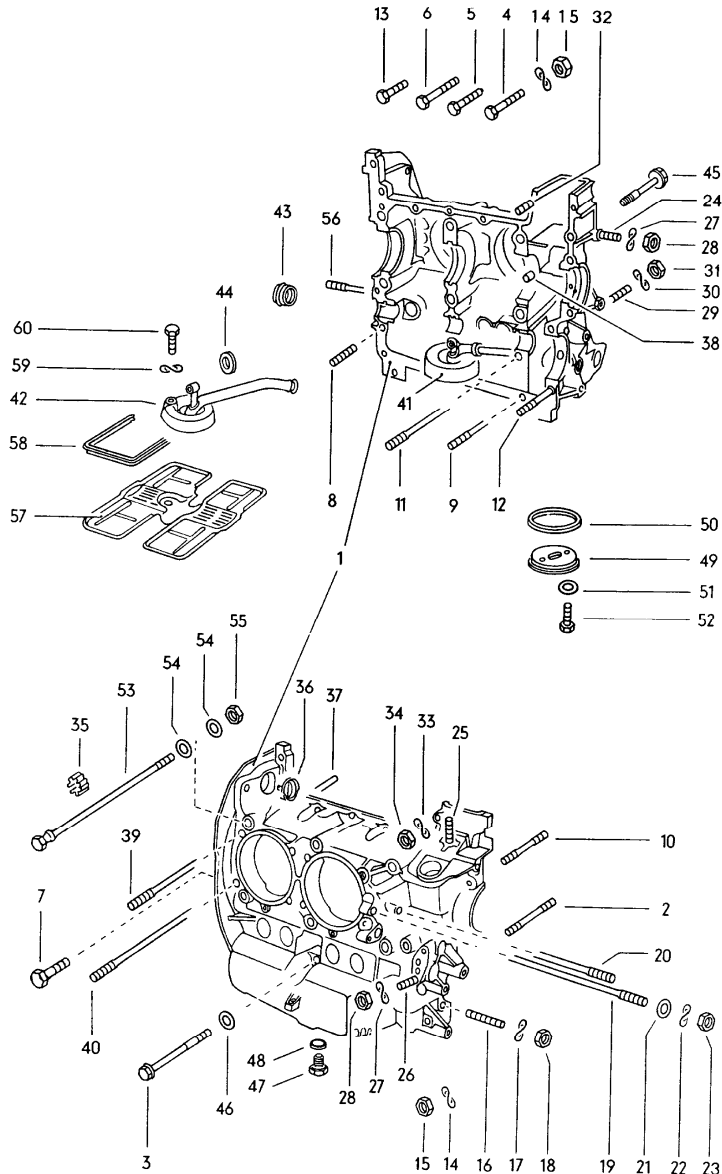
# PET

PORSCHE

|       |      |    |    |              |              |     |              |            |
|-------|------|----|----|--------------|--------------|-----|--------------|------------|
| Model | Year | MG | SG | Illustration | Restrictions | UPD | 18:08        | 30.01.2010 |
| 914   | 1976 | 1  | 11 | 111-00       |              | 248 | USA / CANADA |            |

| Pos | Part Number | Description                  | Remark | Qty | Model |
|-----|-------------|------------------------------|--------|-----|-------|
|     |             | we take back:<br>039.100.031 |        |     |       |

|       |      |    |    |              |              |     |              |            |         |     |         |
|-------|------|----|----|--------------|--------------|-----|--------------|------------|---------|-----|---------|
| Model | Year | MG | SG | Illustration | Restrictions | UPD | 18:09        | 30.01.2010 | PORSCHE | PET | PORSCHE |
| 914   | 1976 | 1  | 11 | 111-05       |              | 248 | USA / CANADA |            |         |     |         |



| Pos  | Part Number    | Description  | Remark | Qty    | Model                    |
|------|----------------|--|--------|--------|--------------------------|
| 1    | 923 101 941 00 | crankcase  |        | 1      | 914                      |
|      |                | crankcase<br>use also:<br>N 014 532 3<br>N 014 557 1<br>stud<br>AM 10 A X 92 |        | 4<br>2 | 914-4/1,7                |
| (1)  | 923 101 941 00 | crankcase  |        | 1      | 914-1,8/2,0              |
| 2    | N 014 394 2    | stud<br>AM 8 A X 65  |        | 1      |                          |
| (2)  | N 014 577 1    | stud<br>CM 10 A/M 8 X 65<br>oversize   |        | 1      |                          |
| 3    | N 010 373 2    | hexagon-head bolt<br>M 8 X 72  |        | 1      |                          |
| 4    | N 010 387 2    | hexagon-head bolt<br>M 8 X 88  |        | 1      |                          |
| 5    | N 010 361 4    | hexagon-head bolt<br>M 8 X 65  |        | 1      |                          |
| 6    | N 010 390 1    | hexagon-head bolt<br>M 8 X 95  |        | 1      | 914-4/1,7<br>914-1,8/2,0 |
| 7    | 900 074 129 02 | hexagon-head bolt<br>M 8 X 42  |        | 1      |                          |
| 8    | N 014 395 3    | stud<br>AM 8 A X 42  |        | 1      |                          |
| (8)  | N 014 560 1    | stud<br>CM 10 A/M 8 X 42<br>oversize   |        | 1      |                          |
| 9    | N 014 555 1    | stud<br>AM 8 A X 44  |        | 4      |                          |
| (9)  | N 014 580 1    | stud<br>CM 10 A/M 8 X 44<br>oversize   |        | 4      |                          |
| 10   | N 014 428 5    | stud<br>AM 8 A X 48  |        | 2      |                          |
| (10) | N 014 484 5    | stud<br>CM 10 A/M 8 X 48<br>oversize   |        | 2      |                          |
| 11   | N 014 556 1    | stud<br>AM 8 A X 121   |        | 1      |                          |

|       |      |    |    |              |              |     |              |            |         |     |         |
|-------|------|----|----|--------------|--------------|-----|--------------|------------|---------|-----|---------|
| Model | Year | MG | SG | Illustration | Restrictions | UPD | 18:09        | 30.01.2010 | PORSCHE | PET | PORSCHE |
| 914   | 1976 | 1  | 11 | 111-05       |              | 248 | USA / CANADA |            |         |     |         |

| Pos  | Part Number  | Description   | Remark | Qty | Model | Pos  | Part Number    | Description  | Remark | Qty | Model |
|------|--------------|---|--------|-----|-------|------|----------------|--|--------|-----|-------|
| (11) | N 014 486 2  | stud<br>CM 10 A/M 8 X 125<br>oversize                     |        | 1   |       | (20) | N 014 565 1    | stud<br>CM 8 A/M 6 X 56<br>oversize<br>for<br>oil cooler                         |        | 1   |       |
| 12   | N 014 417 4  | stud<br>AM 8 A X 81                                       |        | 1   |       | 21   | N 011 524 7    | washer<br>A 6,4  |        | 3   |       |
| (12) | N 014 589 1  | stud<br>CM 10 A/M 8 X 78<br>oversize                      |        | 1   |       | 22   | N 012 226 5    | spring washer<br>B 6   |        | 3   |       |
| 13   | N 010 345 5  | hexagon-head bolt<br>M 8 X 45 X 22                        |        | 1   |       | 23   | 900 076 010 02 | hexagon nut<br>M 6   |        | 3   |       |
| 14   | N 012 241 11 | spring washer<br>B 8 X 15                                 |        | 16  |       | 24   | N 014 395 3    | stud<br>AM 8 A X 42<br>for<br>fan housing  |        | 4   |       |
| 15   | N 011 008 8  | hexagon nut<br>M 8  |        | 16  |       | (24) | N 014 584 1    | stud<br>CM 10 A/M 8 X 43<br>oversize<br>for<br>fan housing                       |        | 4   |       |
| 16   | N 014 532 3  | stud<br>AM 8 A X 32<br>for<br>oil pump                    |        | 4   |       | 25   | N 014 398 3    | stud<br>AM 8 A X 27<br>f.ignition distributor                                    |        | 1   |       |
| (16) | N 014 562 3  | stud<br>CM 10 A/M 8 X 12<br>oversize<br>for<br>oil pump   |        | 4   |       | 26   | N 014 400 3    | stud<br>AM 8 A X 35<br>for<br>oil filter<br>intermediate flange                  |        | 2   |       |
| 17   | N 012 241 11 | spring washer<br>B 8 X 15                                 |        | 4   |       | (26) | N 014 483 2    | stud<br>CM 10 A/M 8 X 38<br>oversize<br>for<br>oil filter<br>intermediate flange |        | 2   |       |
| 18   | N 011 008 8  | hexagon nut<br>M 8  |        | 4   |       | 27   | N 012 241 11   | spring washer<br>B 8 X 15  |        | 7   |       |
| 19   | N 014 536 1  | stud<br>AM 6 A X 105<br>for<br>oil cooler                 |        | 2   |       | 28   | N 011 008 8    | hexagon nut<br>M 8   |        | 7   |       |
| (19) | N 014 585 1  | stud<br>CM 8 A/M 6 X 105<br>oversize<br>for<br>oil cooler |        | 2   |       | 29   | N 014 542 1    | stud<br>AM 6 A X 21<br>for<br>thermostat<br>support                              |        | 2   |       |
| 20   | N 014 539 1  | stud<br>AM 6 A X 56<br>for<br>oil cooler                  |        | 1   |       |      |                |  |        |     |       |

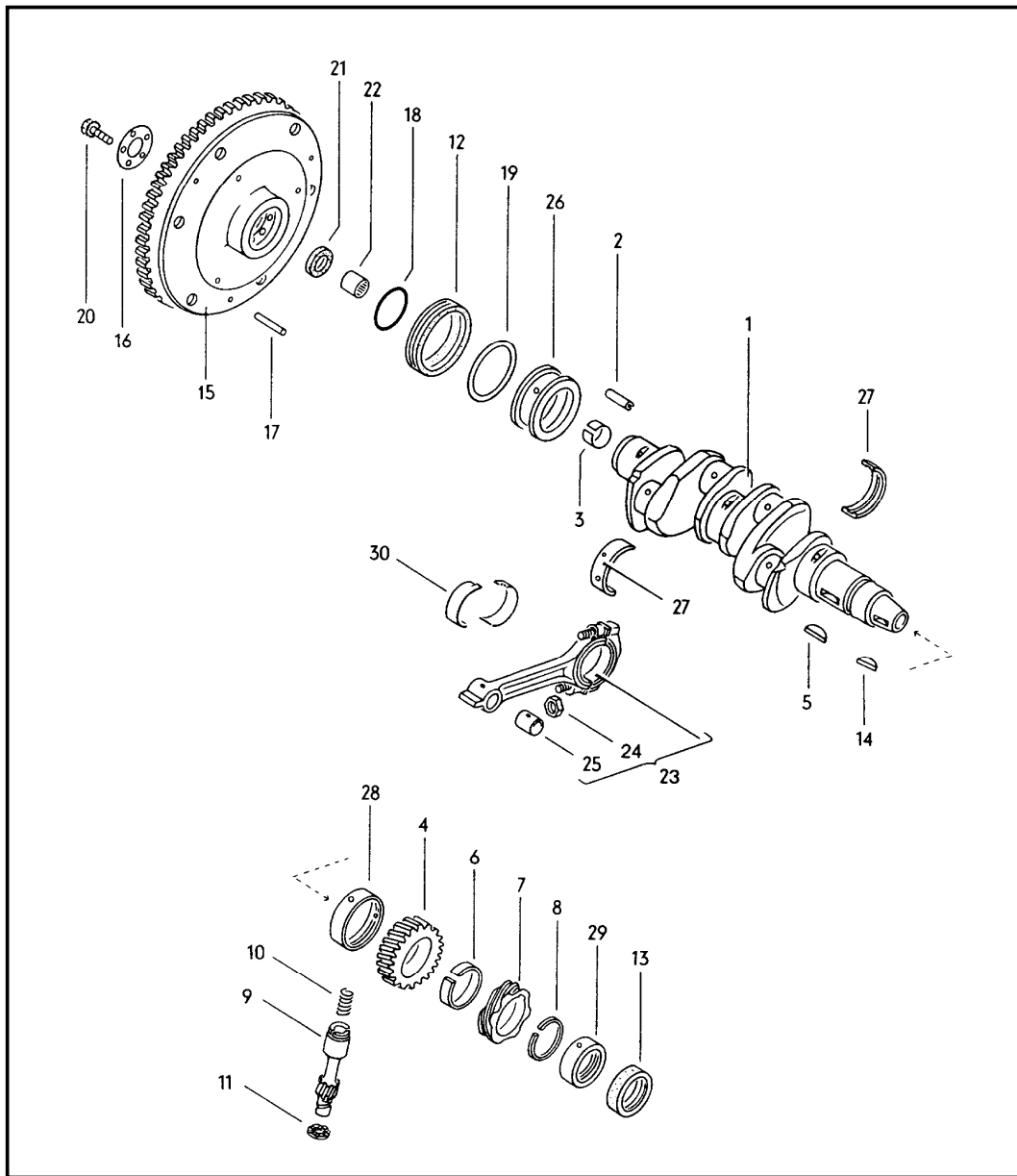
|       |      |    |    |              |              |     |              |            |         |     |         |
|-------|------|----|----|--------------|--------------|-----|--------------|------------|---------|-----|---------|
| Model | Year | MG | SG | Illustration | Restrictions | UPD | 18:09        | 30.01.2010 | PORSCHE | PET | PORSCHE |
| 914   | 1976 | 1  | 11 | 111-05       |              | 248 | USA / CANADA |            |         |     |         |

| Pos  | Part Number    | Description   | Remark | Qty | Model        | Pos  | Part Number   | Description   | Remark | Qty | Model                       |
|------|----------------|---|--------|-----|--------------|------|---------------|---|--------|-----|-----------------------------|
| (29) | N 014 478 1    | stud<br>CM 8 A/M 6 X 21<br>oversize<br>for<br>thermostat<br>support           |        | 2   |              | 40   | 021 101 147 A | stud<br>M 10/M 12 X 1,5 X 221,5<br>lower<br>for<br>cylinder head  |        | 8   |                             |
| 30   | N 012 226 5    | spring washer<br>B 6  |        | 2   |              | (40) | N 021 574 1   | stud<br>CM 14 X 1,5 A/M 10 X 222<br>oversize<br>lower<br>for<br>cylinder head   |        | 8   |                             |
| 31   | 900 076 010 02 | hexagon nut<br>M 6  |        | 2   |              | 41   | 021 101 149   | oil tube<br>with<br>heat shield<br>M >> W0 057 460  |        | 1   | 914-4                       |
| 32   | N 014 545 2    | stud<br>AM 6 A X 36   |        | 2   |              | 42   | 021 101 149 A | oil tube<br>with<br>heat shield<br>M W0 057 461 >><br>M ECO 000 001>><br>M >>EAO 098 793<br>M >>EBO 010 020<br>M >>GAO 016 000<br>M GC0 000 001>> |        | 1   | 914-1,7/1,8V<br>914-1,8/2,0 |
| (32) | N 014 591 1    | stud<br>CM 8 A/M 6 X 34<br>oversize   |        | 2   |              | 43   | 113 101 157 C | lid<br>for<br>camshaft  |        | 1   |                             |
| 33   | N 012 226 5    | spring washer<br>B 6  |        | 2   |              | 44   | 021 101 173   | sealing ring<br>for<br>oil tube   |        | 1   |                             |
| 34   | 900 076 010 02 | hexagon nut<br>M 6  |        | 2   |              | 45   | 021 101 187   | hexagon-head bolt<br>M 8 X 113  |        | 1   |                             |
| 35   | 021 101 107    | vibration damper  |        | 6   |              | 46   | 021 101 189   | sealing ring<br>8,2 X 16  |        | 1   |                             |
| 36   | 021 101 109    | cap   |        | 1   |              | 47   | 021 101 195   | drain plug  |        | 1   |                             |
| (36) | 021 101 109 A  | stopper<br>timing mark sender   |        | 1   | 914-1,8V/1,8 | 48   | N 013 805 1   | sealing ring<br>C 12 X 18   |        | 1   |                             |
| 37   | 113 101 111    | straight pin<br>8 X 25  |        | 2   |              | 49   | 021 101 267   | lid<br>for oil sump   |        | 1   | 914-4/1,7<br>914-1,8V/1,8   |
| 38   | 111 101 123    | straight pin<br>for<br>crankshaft bearing                                     |        | 5   |              |      |               |   |        |     |                             |
| 39   | 025 101 147 A  | stud<br>M 10/M 12 X 1,5 X 172,5<br>upper<br>for<br>cylinder head              |        | 8   |              |      |               |   |        |     |                             |
| (39) | N 021 570 1    | stud<br>CM 14 X 1,5 A/M 10 X 173<br>oversize<br>upper<br>for<br>cylinder head |        | 8   |              |      |               |   |        |     |                             |

|       |      |    |    |              |              |     |              |            |         |     |         |
|-------|------|----|----|--------------|--------------|-----|--------------|------------|---------|-----|---------|
| Model | Year | MG | SG | Illustration | Restrictions | UPD | 18:09        | 30.01.2010 | PORSCHE | PET | PORSCHE |
| 914   | 1976 | 1  | 11 | 111-05       |              | 248 | USA / CANADA |            |         |     |         |

| Pos  | Part Number   | Description  | Remark | Qty | Model                       | Pos  | Part Number  | Description  | Remark | Qty | Model                     |
|------|---------------|--|--------|-----|-----------------------------|------|--------------|--|--------|-----|---------------------------|
| (49) | 039 101 267   | lid<br>for<br>remote temperature sensor<br>for oil sump<br>M EA0 057 001>><br>M EC0 000 001>><br>M >>EA0 098 793<br>M >>EB0 010 020<br>M >>GA0 016 000<br>M GC0 000 001>>              |        | 1   | 914-1,7/1,8V<br>914-1,8/2,0 | 56   | N 014 557 1  | stud<br>AM 10 A X 92<br>for<br>engine suspension   |        | 2   |                           |
|      |               |  |        |     |                             | (56) | N 014 588 1  | stud<br>CM 12 X 1,5 A/M 10 X 92<br>oversize<br>for<br>engine suspension  |        | 2   | 914-4/1,7<br>914-1,8V/2,0 |
| 50   | 021 101 269 A | sealing ring<br>for<br>lid   |        | 1   |                             | 57   | 022 101 553  | heat shield<br>M W0 057 461 >>   |        | 1   |                           |
| (50) | 039 101 287   | gasket<br>for<br>remote temperature sensor<br>M EC0 000 001>><br>M >>EA0 098 793<br>M >>EB0 010 020<br>M >>GA0 016 000<br>M GC0 000 001>>  |        | 1   | 914-1,7/1,8V<br>914-1,8/2,0 | 58   | 022 101 559  | gasket<br>for<br>heat shield<br>M W0 057 461 >><br>M EC0 000 001>><br>M >>EA0 098 793<br>M >>EB0 010 020<br>M >>GA0 016 000<br>M GC0 000 001>> |        | 4   |                           |
| 51   | N 013 803 2   | sealing ring<br>C 6 X 10   |        | 2   |                             | 59   | N 012 226 5  | spring washer<br>B 6   |        | 1   |                           |
| 52   | N 010 210 13  | hexagon-head bolt<br>M 6 X 10 K  |        | 2   |                             | 60   | N 010 210 13 | hexagon-head bolt<br>M 6 X 10 K  |        | 1   |                           |
| -    | 039 101 275   | protection cap<br>remote temperature sensor<br>for<br>lid<br>oil pan<br>M EA0 057 001>><br>M EC0 000 001>><br>M >>EA0 098 793<br>M >>EB0 010 020<br>M >>GA0 016 000<br>M GC0 000 001>> |        | 1   | 914-1,7/1,8V<br>914-1,8/2,0 |      |              |  |        |     |                           |
| -    | 039 101 283   | cable holder<br>remote temperature sensor<br>M EC0 000 001>><br>M GC0 000 001>>  |        | 2   | 914-1,7/1,8V<br>914-1,8/2,0 |      |              |  |        |     |                           |
| 53   | 021 101 145 B | hexagon-head bolt<br>M 10 X 125 X 113  |        | 6   |                             |      |              |  |        |     |                           |
| 54   | 021 101 129   | washer<br>10,2 X 22  |        | 12  |                             |      |              |  |        |     |                           |
| 55   | 021 101 131 E | hexagon nut<br>M 10 X 1,25   |        | 6   |                             |      |              |  |        |     |                           |

|       |      |    |    |              |              |     |              |            |         |     |         |
|-------|------|----|----|--------------|--------------|-----|--------------|------------|---------|-----|---------|
| Model | Year | MG | SG | Illustration | Restrictions | UPD | 18:09        | 30.01.2010 | PORSCHE | PET | PORSCHE |
| 914   | 1976 | 1  | 12 | 112-00       |              | 248 | USA / CANADA |            |         |     |         |



| Pos | Part Number     | Description                                  | Remark | Qty | Model                     |
|-----|-----------------|--|--------|-----|---------------------------|
|     |                 | crankshaft                                   |        |     | 914                       |
| 1   | > 021 105 101   | crankshaft                                   |        | 1   | 914-4/1,7<br>914-1,8V/1,8 |
| (1) | > 039 105 101 A | crankshaft                                   |        | 1   | 914-2,0                   |
| 2   | N 013 309 1     | tensioning sleeve<br>4,5 X 16                |        | 1   |                           |
| 3   | 022 105 159     | spacer sleeve                                |        | 1   |                           |
| 4   | 021 105 209 A   | gear wheel                                   |        | 1   |                           |
| 5   | 111 105 213     | woodruff key<br>for<br>gear wheel            |        | 1   |                           |
| 6   | 113 105 219     | intermediate ring                            |        | 1   |                           |
| 7   | 901 102 115 00  | drive wheel<br>drive wheel                   |        | 1   |                           |
| 8   | 111 105 227     | circlip<br>for<br>distributor<br>drive wheel |        | 1   |                           |
| 9   | 021 105 231     | distributor<br>drive shaft                   |        | 1   |                           |
| 10  | 111 105 233     | spring                                       |        | 1   |                           |
| 11  | 021 105 235     | washer<br>1,3 MM                             |        | 1   |                           |
| 12  | 029 105 245 B   | sealing ring<br>\$ 95 MM                     |        | 1   |                           |
| 13  | 021 105 247 A   | sealing ring<br>\$ 62 MM                     |        | 1   |                           |
| 14  | N 012 708 2     | woodruff key<br>4 X 5                        |        | 1   |                           |
| 15  | 022 105 273 A   | flywheel                                     |        | 1   |                           |
| 16  | 021 105 275     | washer                                       |        | 1   |                           |
| 17  | N 013 197 1     | straight pin<br>6 X 18                       |        | 3   |                           |
| 18  | 021 105 279     | sealing ring                                 |        | 1   |                           |
| 19  | 021 105 281     | spacer<br>0,30 MM                            |        | 1   |                           |

|       |      |    |    |              |              |     |              |            |         |     |         |
|-------|------|----|----|--------------|--------------|-----|--------------|------------|---------|-----|---------|
| Model | Year | MG | SG | Illustration | Restrictions | UPD | 18:09        | 30.01.2010 | PORSCHE | PET | PORSCHE |
| 914   | 1976 | 1  | 12 | 112-00       |              | 248 | USA / CANADA |            |         |     |         |

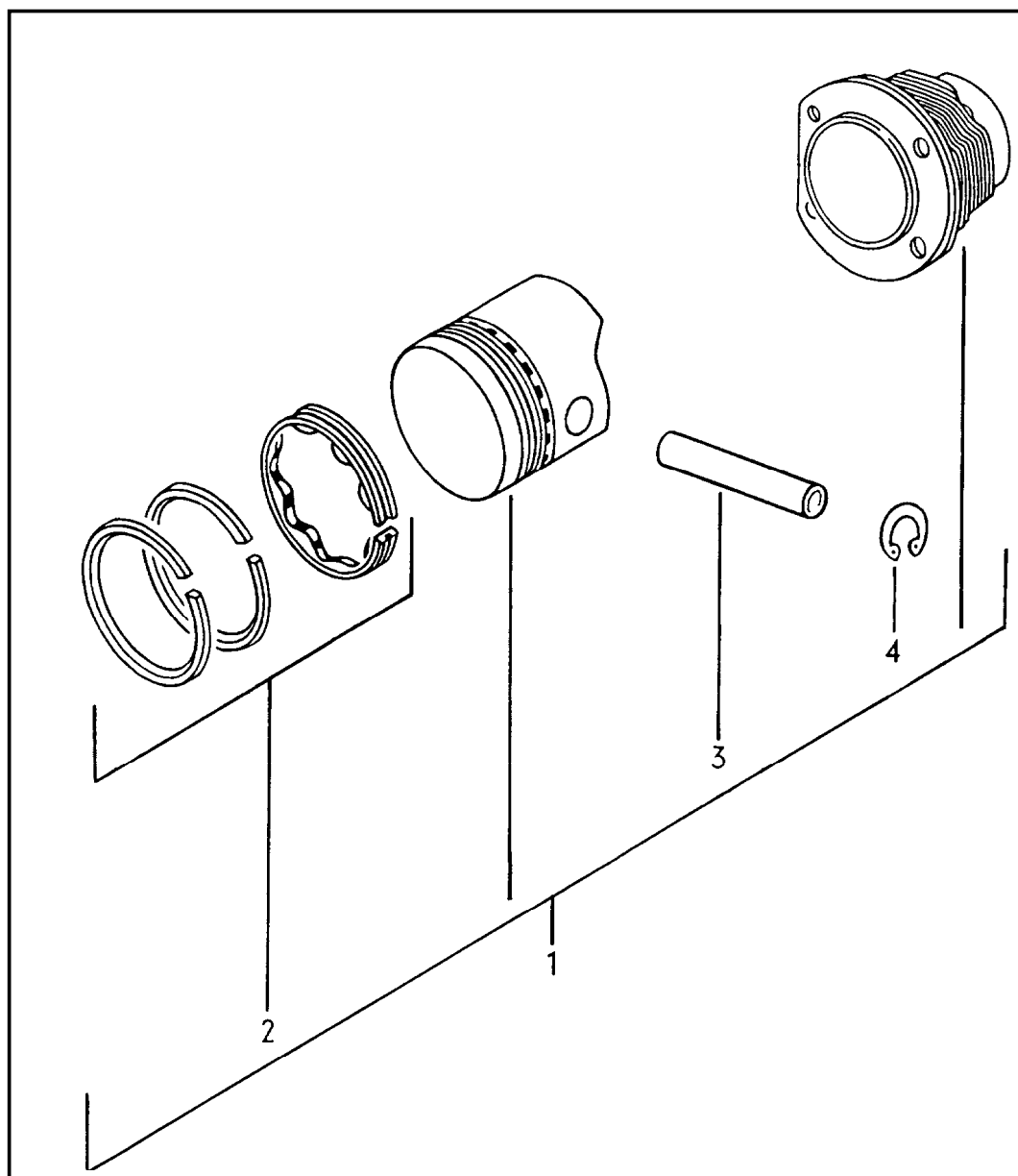
| Pos  | Part Number   | Description  | Remark | Qty | Model        | Pos  | Part Number   | Description   | Remark | Qty | Model |
|------|---------------|--|--------|-----|--------------|------|---------------|---|--------|-----|-------|
| (19) | 021 105 283   | spacer<br>0,32 MM                                    |        | 1   |              | (26) | 021 105 507 B | crankshaft bearing<br>1<br>outer<br>\$ 70 MM<br>undersize 0.25 mm                           |        | 1   |       |
| (19) | 021 105 285   | spacer<br>0,34 MM                                    |        | 1   |              |      |               |   |        |     |       |
| (19) | 021 105 287   | spacer<br>0,36 MM                                    |        | 1   |              | (26) | 021 105 513 B | crankshaft bearing<br>1<br>outer<br>\$ 70 MM<br>undersize 0.50 mm                           |        | 1   |       |
| (19) | 021 105 289   | spacer<br>0,38 MM                                    |        | 1   |              |      |               |   |        |     |       |
| (19) | 021 105 291   | spacer<br>0,24 MM                                    |        | 1   |              | (26) | 021 105 519 A | crankshaft bearing<br>1<br>outer<br>\$ 70 MM<br>undersize<br>0,75 MM                        |        | 1   |       |
| 20   | N 014 336 1   | hexagon-head bolt<br>M 12 X 1,5 X 25<br>self-locking |        | 5   |              |      |               |   |        |     |       |
| 21   | 111 105 311   | sealing ring   |        | 1   |              | 27   | 021 105 531 E | bearing shell<br>for<br>crankshaft bearing<br>2   |        | 2   |       |
| 22   | 111 105 313 A | needle-roller bearing                                |        | 1   |              |      |               |   |        |     |       |
| 23   | 022 105 401   | connecting rod                                       |        | 4   | 914-4/1,7    |      |               |   |        |     |       |
|      | 041           | black  |        |     |              |      |               |   |        |     |       |
|      | 084           | white  |        |     |              | (27) | 021 105 537 E | bearing shell<br>for<br>crankshaft bearing<br>2<br>outer<br>\$ 70 MM<br>undersize 0.25 mm   |        | 2   |       |
| (23) | 022 105 401   | connecting rod                                       |        | 4   | 914-1,8V/1,8 |      |               |   |        |     |       |
|      | 041           | black  |        |     |              |      |               |   |        |     |       |
|      | 084           | white  |        |     |              | (27) | 021 105 543 E | bearing shell<br>for<br>crankshaft bearing<br>2<br>outer<br>\$ 70 MM<br>undersize 0.50 mm   |        | 2   |       |
| (23) | 039 105 401   | connecting rod                                       |        | 4   | 914-2,0      |      |               |   |        |     |       |
|      | 041           | black  |        |     |              |      |               |   |        |     |       |
|      | 084           | white<br>M >>GA0 016 000<br>M GC0 000 001>>          |        |     |              | (27) | 021 105 549 E | bearing shell<br>for<br>crankshaft bearing<br>2<br>outer<br>\$70 MM<br>undersize<br>0,75 MM |        | 2   |       |
| 24   | 113 105 427   | hexagon nut  |        | 8   |              |      |               |   |        |     |       |
| 24   | 113 105 427   | hexagon nut  |        | 8   |              |      |               |   |        |     |       |
| 25   | 021 105 431 A | connecting rod bush                                  |        | 4   |              |      |               |   |        |     |       |
| 26   | 021 105 501 B | crankshaft bearing<br>1<br>outer<br>\$ 70 MM         |        | 1   |              | 28   | 021 105 561 A | crankshaft bearing<br>3<br>outer<br>\$ 70 MM  |        | 1   |       |

|       |      |    |    |              |              |     |              |            |         |     |         |
|-------|------|----|----|--------------|--------------|-----|--------------|------------|---------|-----|---------|
| Model | Year | MG | SG | Illustration | Restrictions | UPD | 18:09        | 30.01.2010 | PORSCHE | PET | PORSCHE |
| 914   | 1976 | 1  | 12 | 112-00       |              | 248 | USA / CANADA |            |         |     |         |

| Pos  | Part Number   | Description  | Remark | Qty | Model                     | Pos  | Part Number   | Description   | Remark | Qty | Model                     |
|------|---------------|--|--------|-----|---------------------------|------|---------------|---|--------|-----|---------------------------|
| (28) | 021 105 567 A | crankshaft bearing<br>3<br>outer<br>70 MM<br>undersize 0.25 mm       |        | 1   |                           | (30) | 021 105 713 A | connecting rod<br>bearing shell<br>undersize 0.50 mm    |        | 8   | 914-4/1,7<br>914-1,8V/1,8 |
| (28) | 021 105 573 A | crankshaft bearing<br>3<br>outer<br>\$ 70 MM<br>undersize 0.50 mm    |        | 1   |                           | (30) | 039 105 713   | conrod bearing shell<br>undersize 0.50 mm               |        | 8   | 914-2,0                   |
| (28) | 021 105 579 A | crankshaft bearing<br>3<br>outer<br>\$ 70 MM<br>undersize<br>0,75 MM |        | 1   |                           | (30) | 021 105 719 A | connecting rod<br>bearing shell<br>undersize<br>0,75 MM |        | 8   | 914-4/1,7<br>914-1,8V/1,8 |
| 29   | 021 105 591   | crankshaft bearing<br>4<br>outer<br>\$ 50 MM                         |        | 1   |                           | (30) | 039 105 719   | conrod bearing shell<br>undersize<br>0,75 MM            |        | 8   | 914-2,0                   |
| (29) | 021 105 597   | crankshaft bearing<br>4<br>outer<br>\$ 50 MM<br>undersize 0.25 mm    |        | 1   |                           |      |               |   |        |     |                           |
| (29) | 021 105 603   | crankshaft bearing<br>4<br>outer<br>\$ 50 MM<br>undersize 0.50 mm    |        | 1   |                           |      |               |   |        |     |                           |
| (29) | 021 105 609   | crankshaft bearing<br>4<br>outer<br>\$ 50 MM<br>undersize<br>0,75 MM |        | 1   |                           |      |               |   |        |     |                           |
| 30   | 021 105 701 A | connecting rod<br>bearing shell                                      |        | 8   | 914-4/1,7<br>914-1,8V/1,8 |      |               |   |        |     |                           |
| (30) | 039 105 701   | conrod bearing shell   |        | 8   | 914-2,0                   |      |               |   |        |     |                           |
| (30) | 021 105 707 A | connecting rod<br>bearing shell<br>undersize 0.25 mm                 |        | 8   | 914-4/1,7<br>914-1,8V/1,8 |      |               |   |        |     |                           |
| (30) | 039 105 707   | conrod bearing shell<br>undersize 0.25 mm                            |        | 8   | 914-2,0                   |      |               |   |        |     |                           |

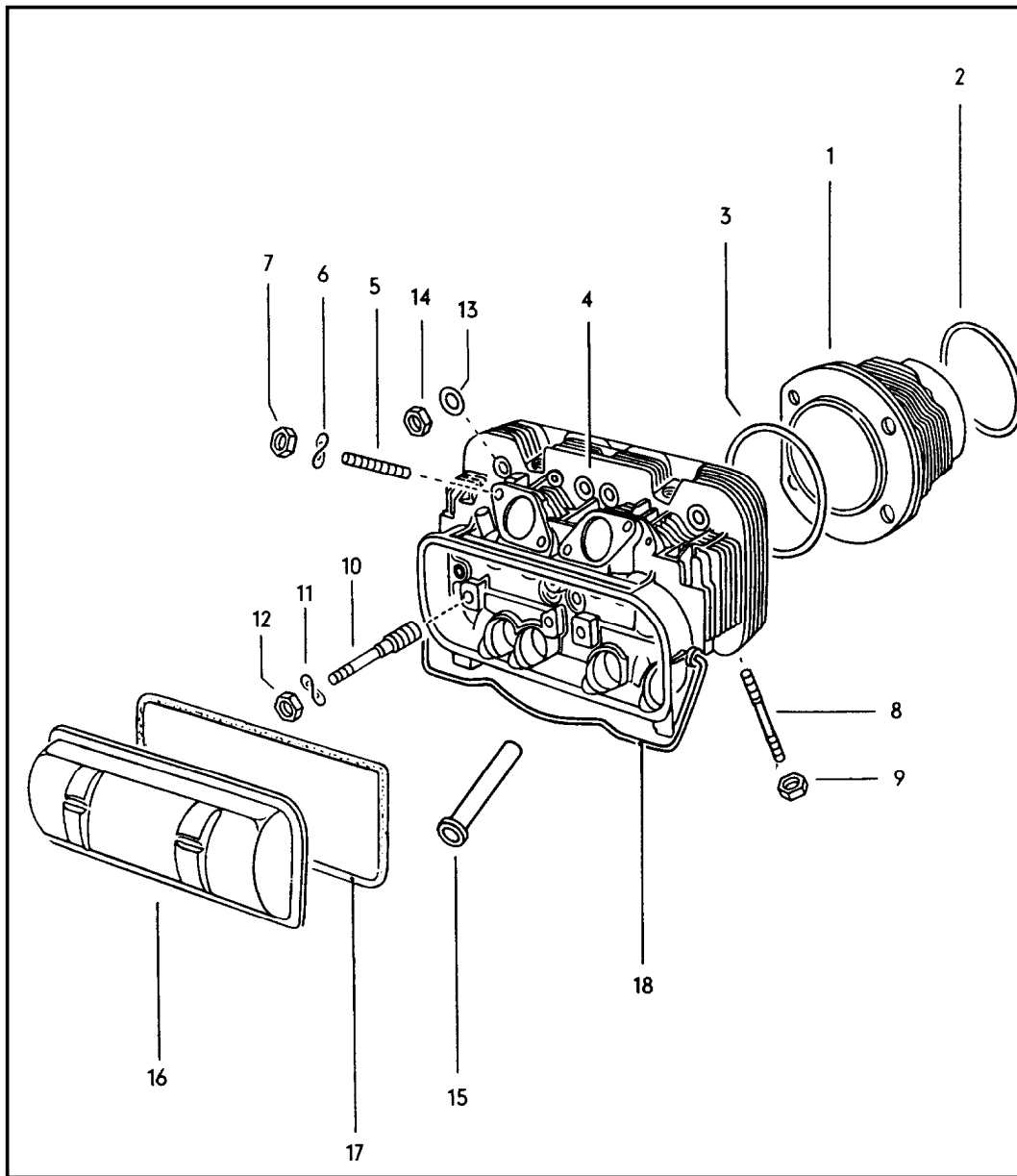


|       |      |    |    |              |              |     |              |            |         |     |         |
|-------|------|----|----|--------------|--------------|-----|--------------|------------|---------|-----|---------|
| Model | Year | MG | SG | Illustration | Restrictions | UPD | 18:09        | 30.01.2010 | PORSCHE | PET | PORSCHE |
| 914   | 1976 | 1  | 12 | 112-05       |              | 248 | USA / CANADA |            |         |     |         |



| Pos | Part Number   | Description   | Remark | Qty | Model               |
|-----|---------------|---|--------|-----|---------------------|
| 1   | 022 198 075   | cylinder with piston  |        | 4   | 914                 |
| 1   | 021 198 075 B | cylinder with piston  |        | 4   | 914-4/1,7           |
| 1   | 021 198 075 D | cylinder with piston  |        | 4   | 914-1,7;<br>(CAL)   |
| 1   | 022 198 075 A | cylinder with piston  |        | 4   | 914-1,8V            |
| 1   | 039 198 075   | cylinder with piston  |        | 4   | 914-1,8             |
| 1   | 039 198 075 A | cylinder with piston  |        | 4   | 914-2,0             |
| 2   | 021 198 175   | set<br>piston rings<br>comprising:<br>piston ring<br>oil scraper ring<br>oil scraper ring |        | 4   | 914-2,0             |
| 2   | 021 198 175 A | set<br>piston rings<br>comprising:<br>piston ring<br>oil scraper ring<br>oil scraper ring |        | 4   | 914-4/1,7           |
| 2   | PCG 198 175   | set<br>piston rings<br>comprising:<br>piston ring<br>oil scraper ring<br>oil scraper ring |        | 4   | 914-1,8/1,8V        |
| 3   | 021 107 411 A | piston pin  |        | 4   | 914-2,0             |
| 3   | 022 107 411 A | piston pin  |        | 4   | 914-4/1,7           |
|     |               | M ECO 000 001>><br>M GA0 006 766>><br>M GC0 000 001>><br>M >>GA0 016 000                  |        |     |                     |
| 3   | 039 107 411   | piston pin  |        | 4   | 914-1,8/1,8V<br>2,0 |
|     |               | M >>GA0 006 765   |        |     |                     |
| 4   | N 012 301 1   | circlip   |        | 8   | 914-2,0             |

|       |      |    |    |              |              |     |              |            |         |     |         |
|-------|------|----|----|--------------|--------------|-----|--------------|------------|---------|-----|---------|
| Model | Year | MG | SG | Illustration | Restrictions | UPD | 18:09        | 30.01.2010 | PORSCHE | PET | PORSCHE |
| 914   | 1976 | 1  | 13 | 113-00       |              | 248 | USA / CANADA |            |         |     |         |

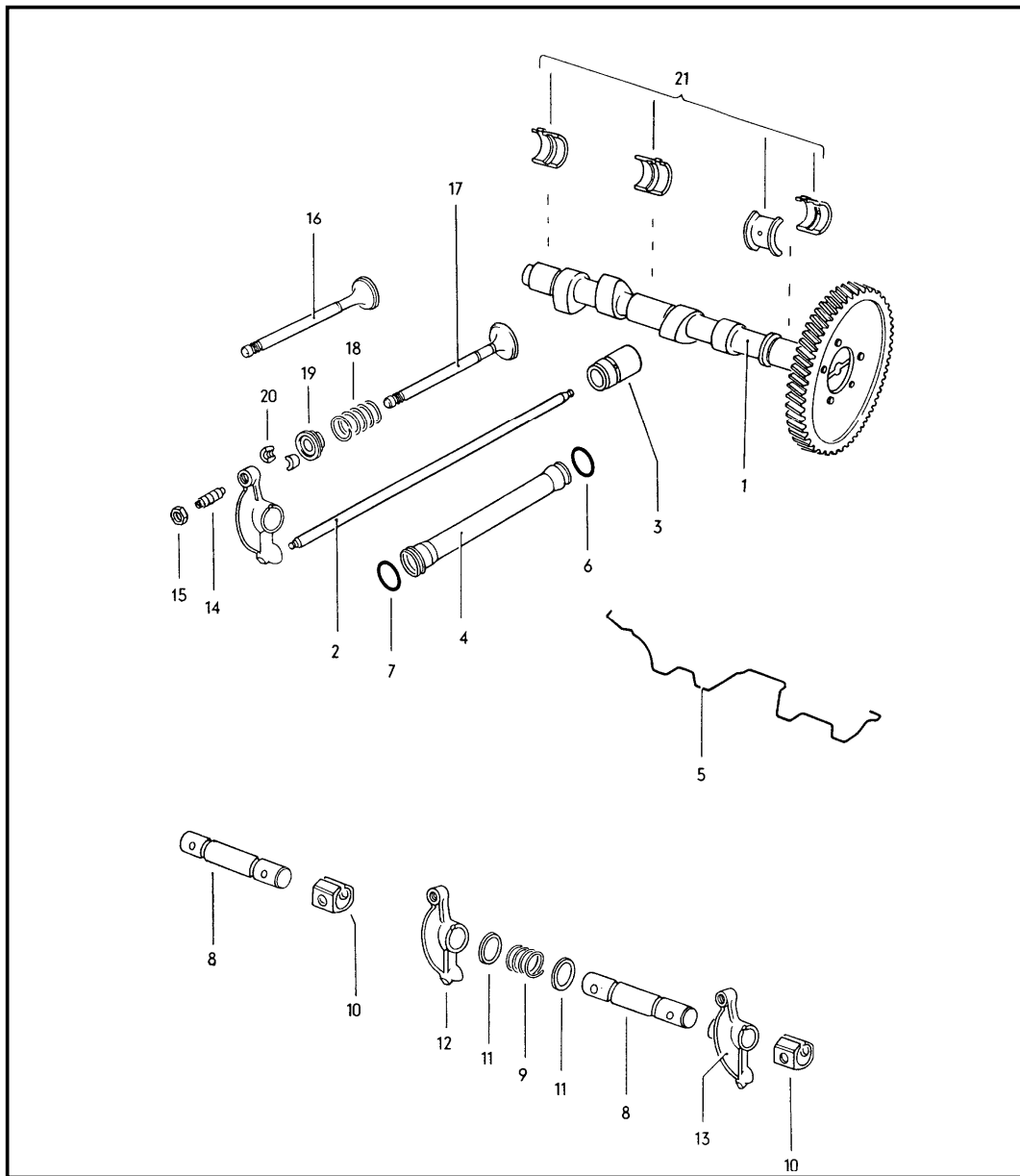


| Pos | Part Number    | Description   | Remark | Qty | Model        |
|-----|----------------|---|--------|-----|--------------|
|     |                | cylinder head   |        |     | 914          |
| 1   | -              | cylinder<br>see group<br>1/12/05  |        |     |              |
| 2   | 021 101 341 A  | sealing ring<br>100 X 109<br>crankcase<br>cylinder  |        | 4   |              |
| 3   | 021 101 343    | sealing ring<br>90 X 99<br>cylinder<br>cylinder head                                      |        | 4   | 914-4/1,7    |
| (3) | 021 101 343 A  | sealing ring<br>93 X 104<br>cylinder<br>cylinder head                                     |        | 4   | 914-1,8V/1,8 |
| (3) | 021 101 343 B  | spacer ring<br>90 X 99 X 1<br>cylinder<br>cylinder head                                   |        | X   | 914-4/1,7    |
| (3) | 021 101 343 E  | spacer ring<br>93 X 104 X 1<br>cylinder<br>cylinder head                                  |        | X   | 914-1,8V/1,8 |
| (3) | 021 101 343 G  | spacer ring<br>93 X 104 X 1,2<br>cylinder<br>cylinder head                                |        | X   | 914-1,8V/1,8 |
| (3) | 039 101 343 B  | sealing ring<br>94 X 105<br>cylinder<br>cylinder head                                     |        | 4   | 914-2,0      |
| (4) | 021 101 353 B  | cylinder head<br>M >> W0 057 460  |        | 2   | 914-4        |
| (4) | 022 101 353 B  | cylinder head<br>M W0 057 461 >><br>M >> W0 129 581                                       |        | 2   | 914-4        |
| (4) | 022 101 353 B  | cylinder head<br>M W0 129 582 >><br>M >> W0 250 000<br>M >>EAO 098 793<br>M >>EBO 010 020 |        | 2   | 914-4/1,7    |
| (4) | 022 107 111 A  | cylinder head   |        | 2   | 914-1,8      |
| (4) | 022 101 351 CX | cylinder head   |        | 2   | 914-1,8      |

|       |      |    |    |              |              |     |              |            |         |     |         |
|-------|------|----|----|--------------|--------------|-----|--------------|------------|---------|-----|---------|
| Model | Year | MG | SG | Illustration | Restrictions | UPD | 18:09        | 30.01.2010 | PORSCHE | PET | PORSCHE |
| 914   | 1976 | 1  | 13 | 113-00       |              | 248 | USA / CANADA |            |         |     |         |

| Pos | Part Number    | Description                                   | Remark | Qty | Model                     | Pos  | Part Number   | Description   | Remark | Qty | Model                   |
|-----|----------------|---|--------|-----|---------------------------|------|---------------|---|--------|-----|-------------------------|
| (4) | 039 101 351 E  | cylinder head<br>without<br>valves            |        | 2   | 914-2,0                   | 14   | 021 101 457   | hexagon nut<br>M 10<br>for<br>cylinder head   |        | 16  |                         |
| (4) | 039 101 351 G  | cylinder head<br>M GC0 000 001>>              |        | 2   | 914-2,0                   | 15   | 021 101 403 A | valve guide<br>intake<br>1st oversize   |        | 4   |                         |
| 5   | N 014 400 3    | stud<br>AM 8 A X 35<br>for<br>intake manifold |        | 8   | 914-4/1,7<br>914-1,8V/2,0 |      |               | M >>EA0 098 793<br>M >>EB0 010 020<br>M >>GA0 016 000<br>M >>GC0 001 320<br>M ECO 000 001>> |        |     |                         |
| (5) | N 014 443 4    | stud<br>AM 8 A X 38<br>for<br>intake manifold |        | 8   | 914-1,8                   | (15) | 039 101 403   | valve guide<br>intake<br>1st oversize<br>M GC0 001 321>>                                    |        | 4   | 914-2,0                 |
| 6   | N 012 241 11   | spring washer<br>B 8 X 15                     |        | 8   |                           | (15) | 021 101 417 A | valve guide<br>exhaust<br>1st oversize  |        | 4   | 914-1,7/1,8V<br>914-1,8 |
| 7   | N 011 008 8    | hexagon nut<br>M 8                            |        | 8   |                           | (15) | 039 101 421   | valve guide<br>exhaust<br>1st oversize  |        | 4   | 914-2,0                 |
| 8   | N 014 427 7    | stud<br>AM 8 X 53<br>for<br>heat exchanger    |        | 8   | 914-4/1,7                 | 16   | 021 101 471   | cylinder head cover   |        | 2   |                         |
| (8) | N 014 397 9    | stud<br>AM 8 X 56<br>for<br>heat exchanger    |        | 8   | 914-2,0                   | 17   | 021 101 481   | gasket  |        | 2   |                         |
| (8) | N 014 684 1    | stud  |        | 8   | 914-1,8V/1,8              | 18   | 021 101 487   | clamp   |        | 2   |                         |
| (8) | N 014 684 1    | stud<br>CM 9 A X M8 X 56<br>heat exchanger    |        | X   | 914-4/1,7<br>914-2,0      | -    | 311 906 041 A | temperature sensor  |        | 1   | 914-2,0                 |
| 9   | 039 256 297    | mid-grip nut<br>M 8<br>self-locking           |        | 8   |                           |      |               |   |        |     |                         |
| 10  | 021 101 397    | stud<br>for<br>rocker shaft                   |        | 8   |                           |      |               |   |        |     |                         |
| 11  | N 012 234 1    | spring washer<br>B 7                          |        | 8   |                           |      |               |   |        |     |                         |
| 12  | N 011 007 7    | hexagon nut<br>M 7                            |        | 8   |                           |      |               |   |        |     |                         |
| 13  | 900 025 008 02 | washer<br>A 10,5                              |        | 16  |                           |      |               |   |        |     |                         |

|       |      |    |    |              |              |     |              |            |         |     |         |
|-------|------|----|----|--------------|--------------|-----|--------------|------------|---------|-----|---------|
| Model | Year | MG | SG | Illustration | Restrictions | UPD | 18:09        | 30.01.2010 | PORSCHE | PET | PORSCHE |
| 914   | 1976 | 1  | 13 | 113-05       |              | 248 | USA / CANADA |            |         |     |         |



| Pos | Part Number   | Description   | Remark | Qty | Model                |
|-----|---------------|---|--------|-----|----------------------|
|     |               | camshaft valves   |        |     | 914                  |
| (1) | 021 109 015 M | camshaft with wheel - 3   |        | 1   |                      |
| (1) | 021 109 017 M | camshaft with wheel - 2   |        | 1   |                      |
| (1) | 021 109 019 M | camshaft with wheel - 1   |        | 1   |                      |
| (1) | 021 109 021 M | camshaft with wheel   |        | 1   |                      |
| (1) | 021 109 023 M | camshaft with wheel + 1   |        | 1   |                      |
| (1) | 021 109 025 M | camshaft with wheel + 2   |        | 1   |                      |
| (1) | 021 109 027 M | camshaft with wheel + 3   |        | 1   |                      |
| 2   | 021 109 301 A | valve pushrod   |        | 8   |                      |
| 3   | 021 109 309 G | cam follower  |        | 8   |                      |
| (4) | 021 109 335 A | protective tube for valve pushrod M >> W0 057 460   |        | 8   | 914-4                |
| 4   | 021 109 335 C | protective tube for valve pushrod M W0 057 461 >> M >>EAO 098 793 M >>EBO 010 020 M >>GAO 006 765 |        | 8   | 914-4/1,7<br>914-2,0 |

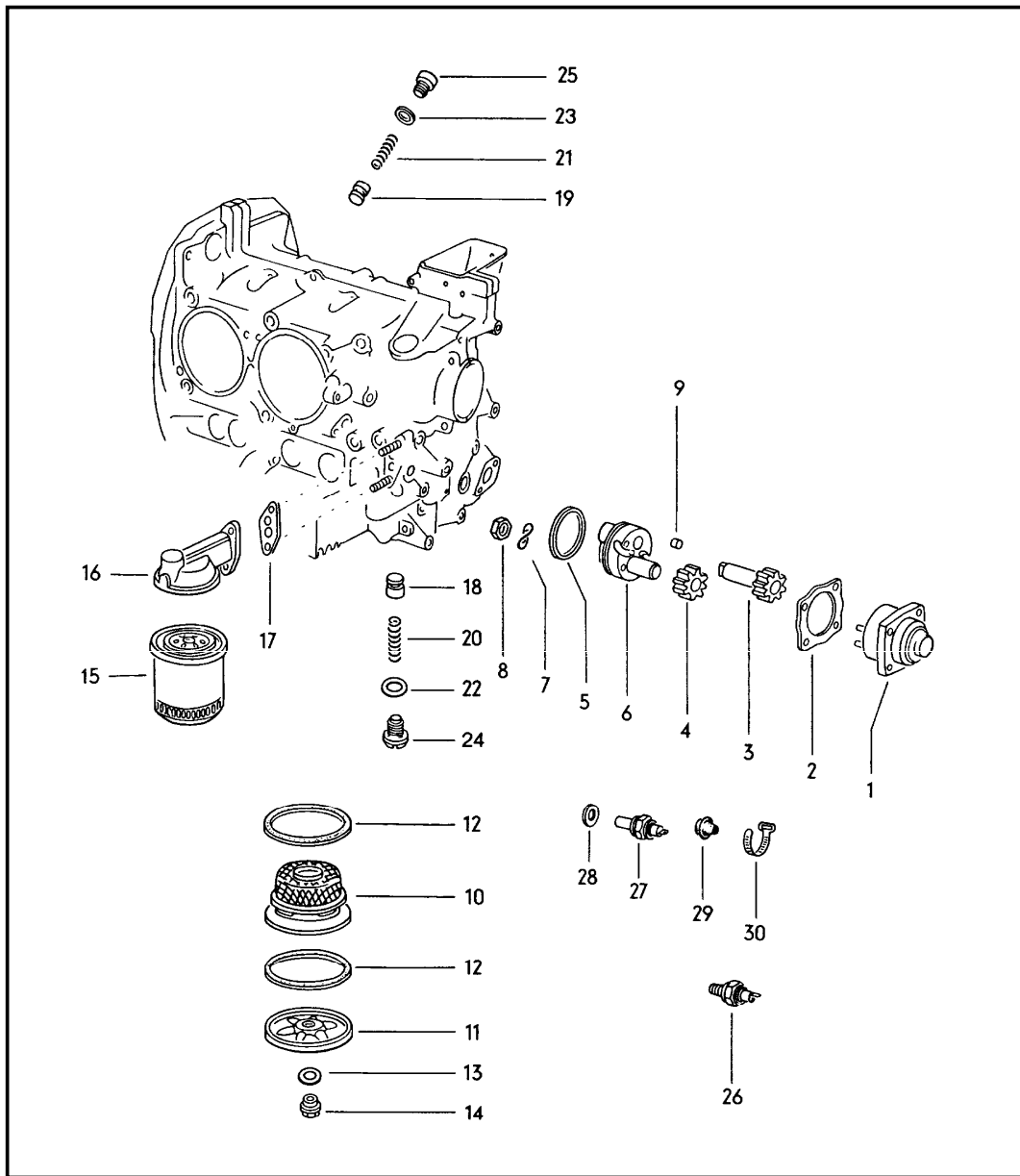
|       |      |    |    |              |              |     |              |            |         |     |         |
|-------|------|----|----|--------------|--------------|-----|--------------|------------|---------|-----|---------|
| Model | Year | MG | SG | Illustration | Restrictions | UPD | 18:09        | 30.01.2010 | PORSCHE | PET | PORSCHE |
| 914   | 1976 | 1  | 13 | 113-05       |              | 248 | USA / CANADA |            |         |     |         |

| Pos | Part Number   | Description   | Remark | Qty | Model                   | Pos  | Part Number | Description   | Remark | Qty | Model                       |
|-----|---------------|---|--------|-----|-------------------------|------|-------------|---|--------|-----|-----------------------------|
| (4) | 021 109 335 C | protective tube<br>for<br>valve pushrod<br>M GA0 006 766>><br>M GC0 000 001>><br>M ECO 000 001>><br>M >>GA0 016 000   |        | 8   | 914-1,8V/1,8<br>914-2,0 | (12) | 022 109 443 | rocker arm<br>intake<br>M EA0 089 762>><br>M >>EA0 098 793<br>M EB0 008 774>><br>M >>EB0 010 020<br>M >>GA0 016 000<br>M GA0 005 473>><br>K<br>up to engine number<br>M >>GA0 005 472<br>M ECO 000 001>><br>M GC0 000 001>>     |        | 4   | 914-1,7/1,8V<br>914-1,8/2,0 |
| 5   | 021 109 339   | securing clip<br>for<br>protective tube   |        | 2   |                         |      |             |   |        |     |                             |
| 6   | 021 109 345 A | sealing ring<br>\$ 21,3 MM<br>for<br>protective tube<br>black   |        | 8   |                         | 13   | 022 109 463 | rocker arm<br>exhaust<br>M >>EA0 089 761<br>M >>EB0 008 773   |        | 4   | 914-4/1,7<br>914,20         |
| (7) | 021 109 349   | sealing ring<br>\$ 23,5 MM<br>for<br>protective tube<br>red<br>M >> W0 057 460  |        | 8   | 914-4                   | (13) | 022 109 463 | rocker arm<br>exhaust<br>M EA0 089 762>><br>M >>EA0 098 793<br>M >>EB0 010 020<br>M EB0 008 774>><br>M GA0 005 473>><br>M >>GA0 016 000<br>K<br>up to engine number<br>M >>GA0 005 472<br>M ECO 000 001>><br>M GC0 000 001>>    |        | 4   | 914-1,7/1,8V<br>914-1,8/2,0 |
| 7   | 021 109 349 B | sealing ring<br>\$ 25,1 MM<br>for<br>protective tube<br>green<br>M ECO 000 001>><br>M W0 057 461 >><br>M GC0 000 001>><br>M >>EA0 098 793<br>M >>EB0 010 020<br>M >>GA0 016 000 |        | 8   |                         | 14   | 043 109 451 | adjusting screw<br>valve<br>M >>EA0 089 761<br>M >>EB0 008 773  |        | 8   | 914-4/1,7                   |
| 8   | 021 109 407 A | rocker shaft  |        | 4   |                         | (14) | 022 109 451 | adjusting screw<br>valve<br>M EA0 089 762>><br>M >>EA0 098 793<br>M >>EB0 010 020<br>M EB0 008 774>><br>M GA0 005 473>><br>M >>GA0 016 000<br>K<br>up to engine number<br>M >>GA0 005 472<br>M ECO 000 001>><br>M GC0 000 001>> |        | 8   | 914-1,7/1,8V<br>914-1,8/2,0 |
| 9   | 021 109 415 A | spring<br>for<br>rocker shaft   |        | 4   |                         |      |             |   |        |     |                             |
| 10  | 021 109 427   | bearing shell<br>for<br>rocker shaft  |        | 8   |                         |      |             |   |        |     |                             |
| 11  | 021 109 435   | deleted   |        | X   |                         |      |             |   |        |     |                             |
| 12  | 022 109 443   | rocker arm<br>intake<br>M >>EA0 089 761<br>M >>EB0 008 773  |        | 4   | 914-4/1,7<br>914-2,0    | (14) | 039 109 451 | adjusting screw<br>valve  |        | 8   | 914-2,0                     |

|       |      |    |    |              |              |     |              |            |         |     |         |
|-------|------|----|----|--------------|--------------|-----|--------------|------------|---------|-----|---------|
| Model | Year | MG | SG | Illustration | Restrictions | UPD | 18:09        | 30.01.2010 | PORSCHE | PET | PORSCHE |
| 914   | 1976 | 1  | 13 | 113-05       |              | 248 | USA / CANADA |            |         |     |         |

| Pos  | Part Number    | Description  | Remark | Qty | Model                       | Pos | Part Number | Description | Remark | Qty | Model |
|------|----------------|--|--------|-----|-----------------------------|-----|-------------|-------------|--------|-----|-------|
| (15) | 900 078 011 00 | nut<br>M 8 X 1<br>M >>EA0 089 761<br>M >>EB0 008 773   |        | 8   | 914-4/1,7<br>914-2,0        |     |             |             |        |     |       |
| 15   | 028 109 453    | hexagon nut<br>M 10 X 1<br>M EA0 089 762>><br>M >>EA0 098 793<br>M >>EB0 010 020<br>M EB0 008 774>><br>M GA0 005 473>><br>M >>GA0 016 000<br>K<br>up to engine number<br>M >>GA0 005 472<br>M EC0 000 001>><br>M GC0 000 001>> |        | 8   | 914-1,7/1,8V<br>914-1,8/2,0 |     |             |             |        |     |       |
| 16   | 021 109 601    | intake valve<br>\$ 39,3 MM   |        | 4   | 914-4/1,7                   |     |             |             |        |     |       |
| (16) | 022 109 601    | intake valve<br>\$ 41 MM   |        | 4   | 914-1,8V/1,8                |     |             |             |        |     |       |
| (16) | 039 109 601 G  | intake valve<br>\$ 42 MM<br>M >>GA0 006 049<br>M GA0 006 050>><br>M >>GA0 016 000<br>M GC0 000 001>>   |        | 4   | 914-2,0                     |     |             |             |        |     |       |
| 17   | 022 109 612 D  | exhaust valve<br>\$ 33 MM  |        | 4   | 914-4/1,7                   |     |             |             |        |     |       |
| (17) | 022 109 612 A  | exhaust valve<br>\$ 34 MM  |        | 4   | 914-1,8V/1,8                |     |             |             |        |     |       |
| (17) | 039 109 611 L  | exhaust valve<br>\$ 36 MM  |        | 4   | 914-2,0                     |     |             |             |        |     |       |
| 18   | 021 109 623 E  | valve spring   |        | 8   |                             |     |             |             |        |     |       |
| 19   | 021 109 641 B  | concave washer   |        | 8   |                             |     |             |             |        |     |       |
| 20   | 113 109 651 A  | valve collet   |        | 16  |                             |     |             |             |        |     |       |
| 21   | 021 198 541    | camshaft bearing<br>1 set  |        | 1   |                             |     |             |             |        |     |       |

|       |      |    |    |              |              |     |              |            |         |     |         |
|-------|------|----|----|--------------|--------------|-----|--------------|------------|---------|-----|---------|
| Model | Year | MG | SG | Illustration | Restrictions | UPD | 18:09        | 30.01.2010 | PORSCHE | PET | PORSCHE |
| 914   | 1976 | 1  | 14 | 114-00       |              | 248 | USA / CANADA |            |         |     |         |



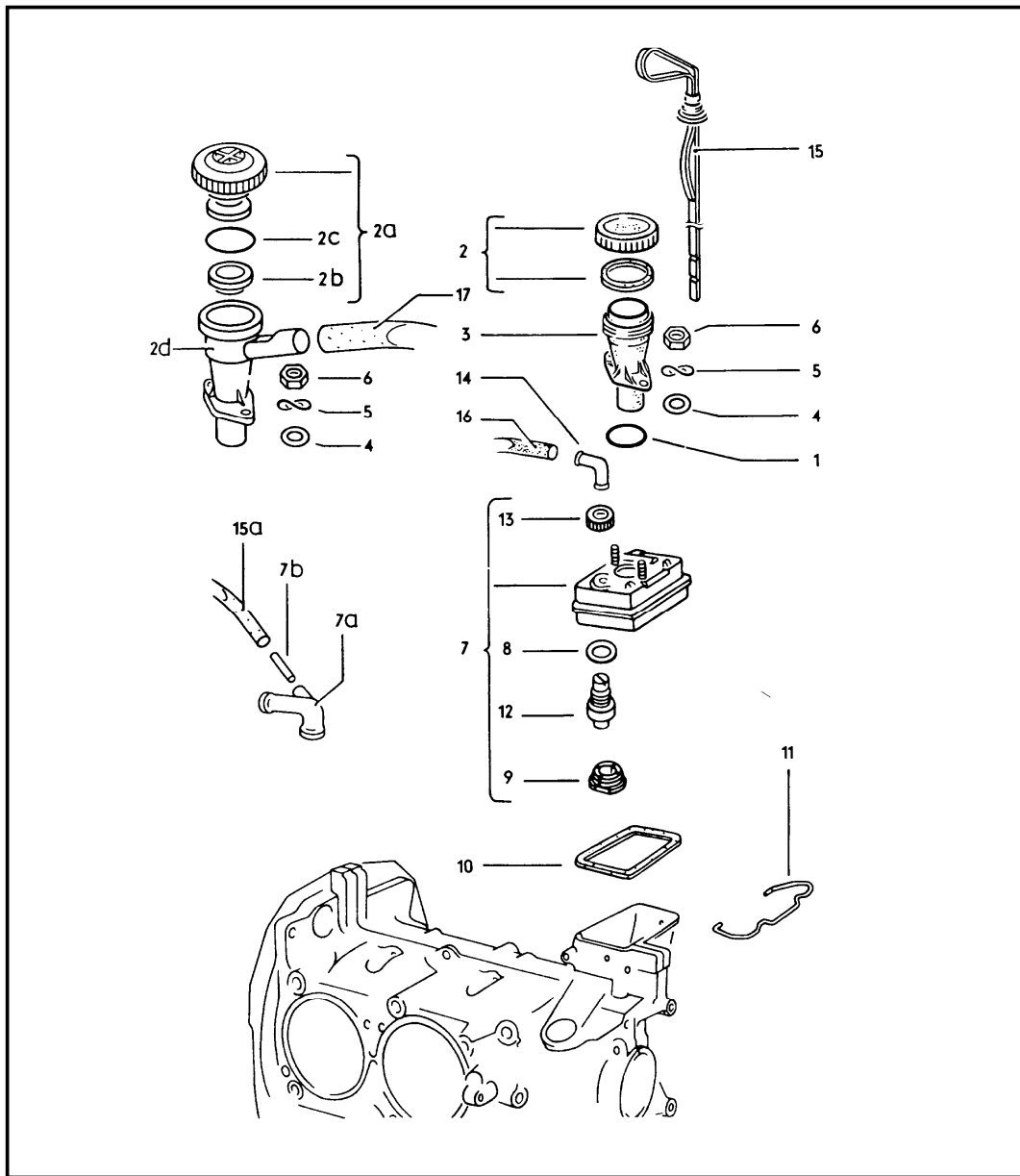
| Pos | Part Number   | Description  | Remark | Qty | Model                   |
|-----|---------------|--|--------|-----|-------------------------|
|     |               | engine lubrication<br>oil pump<br>oil filter<br>oil strainer |        |     | 914                     |
| 1   | 021 115 107 A | housing<br>oil pump  |        | 1   |                         |
| 2   | 025 115 111 A | gasket   |        | 1   |                         |
| 3   | 021 115 115 A | drive shaft  |        | 1   |                         |
| 4   | 021 115 123   | oil pump gear  |        | 1   |                         |
| 5   | 021 115 133   | sealing ring   |        | 1   |                         |
| 6   | 021 115 139 A | lid  |        | 1   |                         |
| 7   | N 012 226 5   | spring washer<br>B 6   |        | 4   |                         |
| 8   | 113 101 175   | hexagon nut<br>M 6<br>self-locking                           |        | 4   |                         |
| 9   | 021 115 167   | dowel sleeve   |        | 1   |                         |
| 10  | 021 115 175   | oil strainer   |        | 1   |                         |
| 11  | 021 115 181   | lid  |        | 1   |                         |
| 12  | 021 198 031 B | gasket   |        | 2   |                         |
| 13  | N 013 805 1   | sealing ring<br>C 12 X 18                                    |        | 1   |                         |
| 14  | 021 115 193 B | cap nut<br>M 8   |        | 1   | 914-4/1,7               |
| 14  | 021 115 193 B | cap nut<br>M 8   |        | 1   | 914-1,8V/1,8<br>914-2,0 |
| 15  | 021 115 351 A | oil filter   |        | 1   |                         |
| 16  | 021 115 353 A | intermediate flange  |        | 1   |                         |
| 17  | 021 115 359 A | gasket   |        | 1   |                         |
| 18  | 311 115 411   | piston<br>for<br>relief valve                                |        | 1   |                         |

|       |      |    |    |              |              |     |              |            |         |     |         |
|-------|------|----|----|--------------|--------------|-----|--------------|------------|---------|-----|---------|
| Model | Year | MG | SG | Illustration | Restrictions | UPD | 18:09        | 30.01.2010 | PORSCHE | PET | PORSCHE |
| 914   | 1976 | 1  | 14 | 114-00       |              | 248 | USA / CANADA |            |         |     |         |

| Pos | Part Number   | Description   | Remark | Qty | Model | Pos | Part Number    | Description  | Remark | Qty | Model                       |
|-----|---------------|---|--------|-----|-------|-----|----------------|--|--------|-----|-----------------------------|
| 19  | 021 115 411   | piston<br>for<br>relief valve<br>M >>EA0 098 793<br>M >>EB0 010 020<br>M >>EC0 041 259<br>M >>GA0 016 000<br>M >> W0 250 000<br>M >>GC0 001 320 |        | 1   |       | 27  | 039 919 268    | sender<br>M W0 170 001 >><br>M >>EA0 098 793<br>M >>EB0 010 020<br>M EA0 057 001>><br>M >>GA0 016 000<br>M >> W0 250 000<br>M EC0 000 001>><br>M GC0 000 001>> |        | 1   | 914-1,7/1,8V<br>914-1,8/2,0 |
| 20  | 021 115 421 B | spring<br>for<br>relief valve   |        | 1   |       | 28  | 900 123 007 30 | sealing ring<br>A 14 X 18 X 1,5  |        | 1   | 914-1,7/1,8V<br>914-1,8/2,0 |
| 21  | 021 115 421 A | spring<br>for<br>relief valve<br>M >>EA0 098 793<br>M >>EB0 010 020<br>M >>EC0 041 259<br>M >>GA0 016 000<br>M >> W0 250 000<br>M >>GC0 001 320 |        | 1   |       | 29  | 311 949 149 A  | grommet<br>for<br>wiring harness   |        | 1   | 914-1,7/1,8V<br>914-1,8/2,0 |
| 22  | N 013 829 3   | sealing ring<br>C 22 X 29   |        | 1   |       | 30  | N 020 902 1    | tie-wrap<br>6,5 X 210  |        | 1   | 914-1,7/1,8V<br>914-1,8/2,0 |
| 23  | N 013 845 2   | sealing ring<br>C 16 X 22<br>M >>EA0 098 793<br>M >>EB0 010 020<br>M >>EC0 041 259<br>M >>GA0 016 000<br>M >> W0 250 000<br>M >>GC0 001 320     |        | 1   |       |     |                |  |        |     |                             |
| 24  | 021 115 431   | screw plug<br>M 22 X 1,5  |        | 1   |       |     |                |  |        |     |                             |
| 25  | PCG 115 431 A | screw plug<br>M 16 X 1,5<br>M >>EA0 098 793<br>M >>EB0 010 020<br>M >>EC0 041 259<br>M >>GA0 016 000<br>M >> W0 250 000<br>M >>GC0 001 320      |        | 1   |       |     |                |  |        |     |                             |
| 26  | 021 919 081 D | oil pressure switch   |        | 1   |       |     |                |  |        |     |                             |



|       |      |    |    |              |              |     |              |            |         |     |         |
|-------|------|----|----|--------------|--------------|-----|--------------|------------|---------|-----|---------|
| Model | Year | MG | SG | Illustration | Restrictions | UPD | 18:10        | 30.01.2010 | PORSCHE | PET | PORSCHE |
| 914   | 1976 | 1  | 14 | 114-05       |              | 248 | USA / CANADA |            |         |     |         |

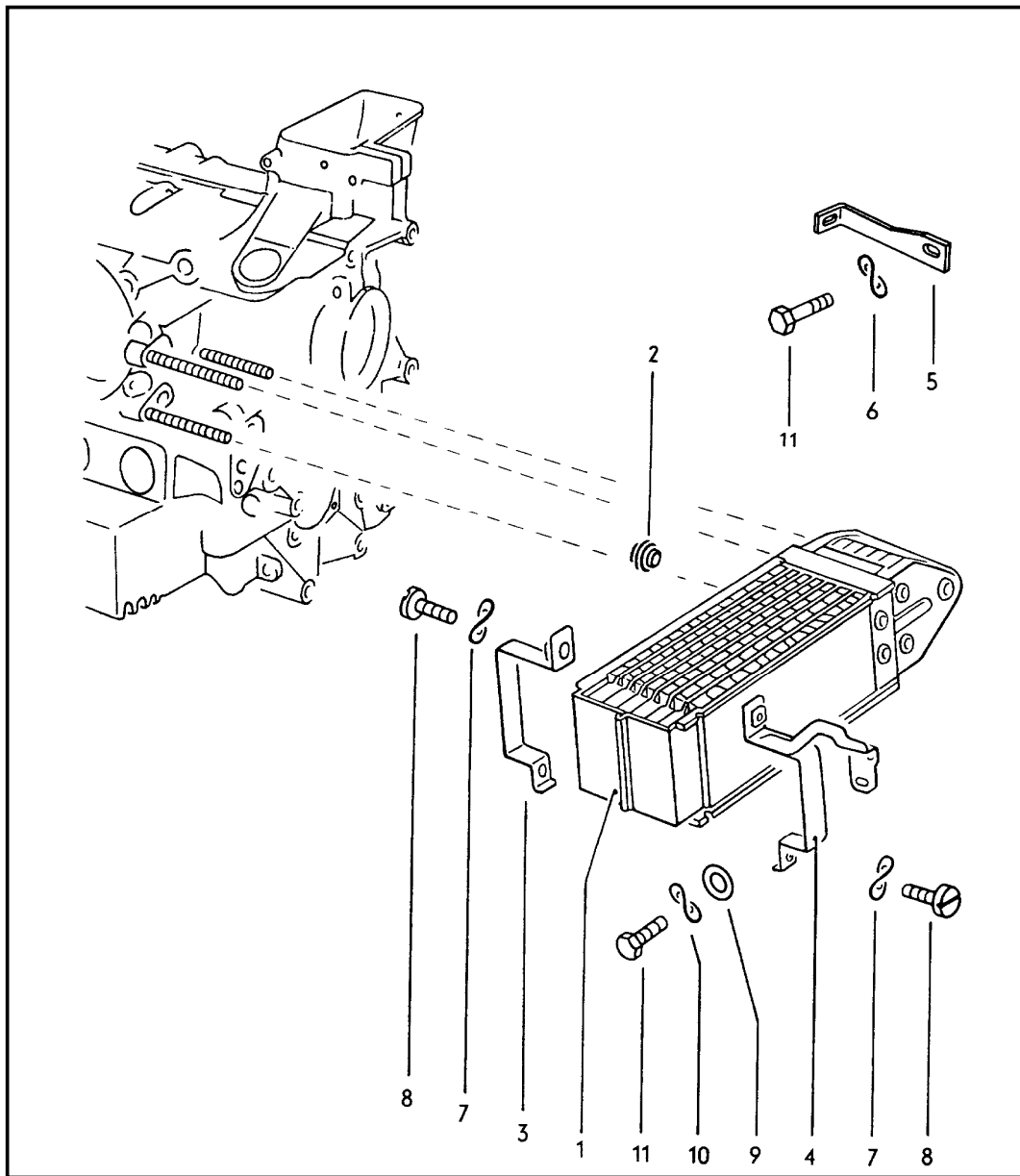


| Pos  | Part Number    | Description   | Remark | Qty | Model                     |
|------|----------------|---|--------|-----|---------------------------|
|      |                | engine lubrication<br>filler neck<br>bleeding   |        |     | 914                       |
| 1    | 021 115 137    | sealing ring  |        | 1   |                           |
| 2    | PCG 115 311 00 | oil filler cover  |        | 1   | 914-4/1,7<br>914-1,8V/2,0 |
| 2A   | 022 115 309    | lid   |        | 1   | 914-1,8                   |
| 2B   | 022 115 315    | gasket<br>lower   |        | 1   | 914-1,8                   |
| 2C   | 022 115 331    | gasket<br>upper   |        | 1   | 914-1,8                   |
| 2D   | 022 115 317    | oil inlet   |        | 1   | 914-1,8                   |
| 3    | 021 115 317 A  | oil inlet   |        | 1   | 914-4/1,7<br>914-1,8V/2,0 |
| 4    | 111 605 289 A  | washer  |        | 2   | 914-4/1,7<br>914-1,8V/2,0 |
| 5    | N 012 226 5    | spring washer<br>B 6  |        | 2   |                           |
| 6    | 900 076 010 02 | hexagon nut<br>M 6  |        | 2   |                           |
| 7    | 021 115 451 B  | bleeding<br>M >> W0 129 581<br>M ECO 000 001>>  |        | 1   | 914-4/1,8                 |
| (7)  | 022 115 451 B  | bleeder<br>M >>EAO 098 793<br>M >>EBO 010 020<br>M >>GAO 016 000<br>M >> W0 250 000                         |        | 1   | 914-4/1,7<br>914-2,0      |
| (7)  | 022 115 451 C  | bleeding<br>M GC0 000 001>>   |        | 1   | 914-1,8V/2,0              |
| (7A) | 022 115 469    | elbow   |        | 1   | 914-1,8                   |
| 8    | 022 115 475    | sealing ring<br>M >>EAO 098 793<br>M W0 129 582 >><br>M >>EBO 010 020<br>M >>GAO 016 000<br>M >> W0 250 000 |        | 1   | 914-4/1,7<br>914-2,0      |

|       |      |    |    |              |              |     |              |            |         |     |         |
|-------|------|----|----|--------------|--------------|-----|--------------|------------|---------|-----|---------|
| Model | Year | MG | SG | Illustration | Restrictions | UPD | 18:10        | 30.01.2010 | PORSCHE | PET | PORSCHE |
| 914   | 1976 | 1  | 14 | 114-05       |              | 248 | USA / CANADA |            |         |     |         |

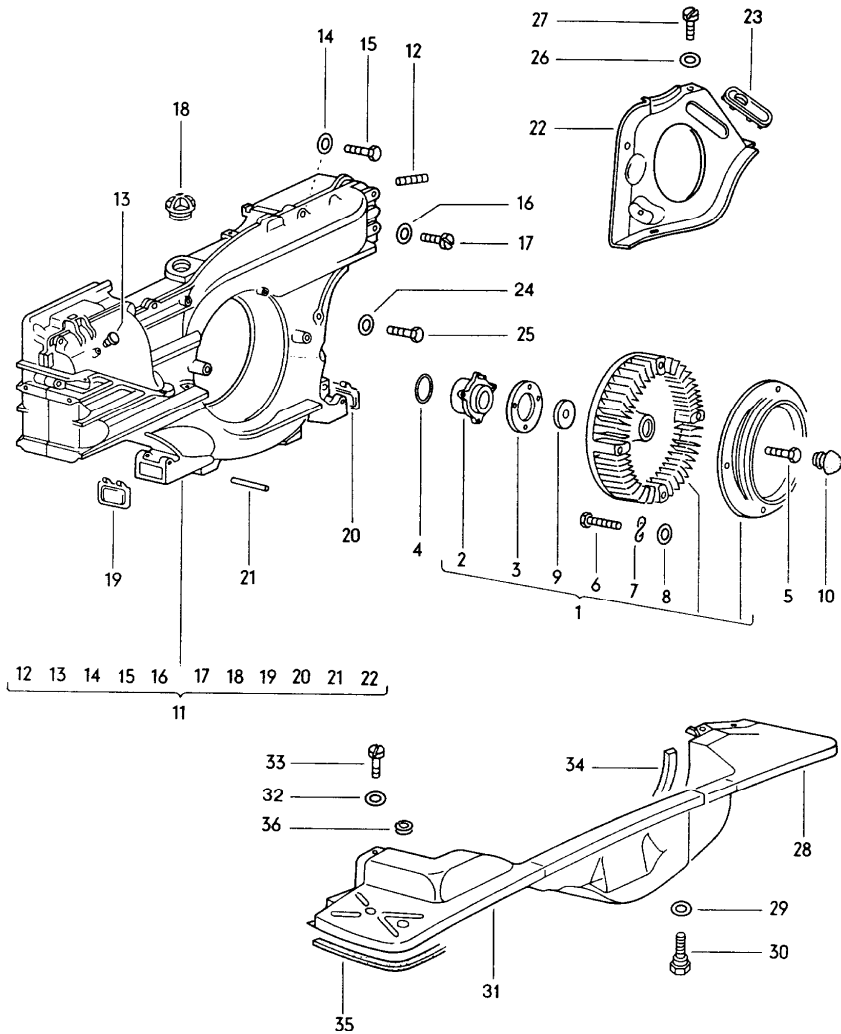
| Pos   | Part Number | Description  | Remark | Qty | Model                | Pos | Part Number | Description      | Remark | Qty | Model                |
|-------|-------------|--|--------|-----|----------------------|-----|-------------|------------------|--------|-----|----------------------|
| 9     | 022 115 486 | stopper<br>M >>EA0 098 793<br>M W0 129 582 >><br>M >>EB0 010 020<br>M >>GA0 016 000<br>M >> W0 250 000                           |        | 1   | 914-4/1,7<br>914-2,0 | 17  | N 020 344 1 | hose<br>20 X 2,5 |        | *   | 914-1,8              |
|       |             |  |        |     |                      | -   | 022 129 260 | hose clamp       |        | 1   | 914-4/1,7<br>914-2,0 |
| 10    | 021 115 487 | gasket<br>for<br>oil filter  |        | 1   |                      |     |             |                  |        |     |                      |
| 11    | 021 115 489 | clamp<br>for<br>bleeding   |        | 1   |                      |     |             |                  |        |     |                      |
| 12    | 022 115 542 | plate<br>valve<br>for<br>bleeding<br>M >>EA0 098 793<br>M W0 129 582 >><br>M >>EB0 010 020<br>M >>GA0 016 000<br>M >> W0 250 000 |        | 1   | 914-4/1,7<br>914-2,0 |     |             |                  |        |     |                      |
| 13    | 022 115 544 | knurled nut<br>M >>EA0 098 793<br>M W0 129 582 >><br>M >>EB0 010 020<br>M >>GA0 016 000<br>M >> W0 250 000                       |        | 1   | 914-4/1,7<br>914-2,0 |     |             |                  |        |     |                      |
| 14    | 022 129 637 | elbow<br>M >>EA0 098 793<br>M W0 129 582 >><br>M >>EB0 010 020<br>M >>GA0 016 000<br>M >> W0 250 000                             |        | 1   | 914-4/1,7<br>914-2,0 |     |             |                  |        |     |                      |
| 15    | 022 115 611 | oil level dipstick<br>yellow<br>chrome   |        | 1   |                      |     |             |                  |        |     |                      |
| (15A) | N 020 349 1 | hose<br>21 X 2,5   |        | *   | 914-1,8              |     |             |                  |        |     |                      |
| 16    | N 020 290 1 | hose<br>12 X 3,3   |        | X   | 914-4/1,7<br>914-2,0 |     |             |                  |        |     |                      |
| (16)  | N 020 343 1 | hose<br>18 X 2,5   |        | X   | 914-2,0              |     |             |                  |        |     |                      |

|       |      |    |    |              |              |     |              |            |         |     |         |
|-------|------|----|----|--------------|--------------|-----|--------------|------------|---------|-----|---------|
| Model | Year | MG | SG | Illustration | Restrictions | UPD | 18:10        | 30.01.2010 | PORSCHE | PET | PORSCHE |
| 914   | 1976 | 1  | 14 | 114-10       |              | 248 | USA / CANADA |            |         |     |         |



| Pos | Part Number    | Description                       | Remark | Qty | Model   |
|-----|----------------|-----------------------------------|--------|-----|---------|
|     |                | engine lubrication<br>oil cooler  |        |     | 914     |
| 1   | 021 117 021 B  | oil cooler                        |        | 1   |         |
| 2   | 021 117 151 A  | sealing ring<br>for<br>oil cooler |        | 2   |         |
| 2A  | N 011 524 7    | washer<br>A 6,4                   |        | 3   |         |
| 2B  | N 012 226 5    | spring washer<br>B 6              |        | 3   |         |
| 2C  | 900 076 010 02 | hexagon nut<br>M 6                |        | 3   |         |
| 3   | 021 117 171 A  | clip<br>for<br>oil cooler         |        | 1   |         |
| 4   | 021 117 181    | bracket<br>for<br>oil cooler      |        | 1   |         |
| 5   | 039 117 187    | support<br>for<br>oil cooler      |        | 1   | 914-2,0 |
| 6   | N 012 229 3    | spring washer<br>A 8              |        | 1   | 914-2,0 |
| 7   | N 012 226 5    | spring washer<br>B 6              |        | 2   |         |
| 8   | N 010 715 2    | pan-head screw<br>AM 6 X 15       |        | 2   |         |
| 9   | 900 025 007 02 | washer<br>A 8,4                   |        | 1   |         |
| 10  | N 012 228 3    | spring washer<br>B 8              |        | 1   |         |
| 11  | 900 075 085 02 | hexagon-head bolt<br>M 8 X 20     |        | 1   |         |

|       |      |    |    |              |              |     |              |            |         |     |         |
|-------|------|----|----|--------------|--------------|-----|--------------|------------|---------|-----|---------|
| Model | Year | MG | SG | Illustration | Restrictions | UPD | 18:10        | 30.01.2010 | PORSCHE | PET | PORSCHE |
| 914   | 1976 | 1  | 15 | 115-00       |              | 248 | USA / CANADA |            |         |     |         |



| Pos | Part Number    | Description   | Remark | Qty | Model                       |
|-----|----------------|---|--------|-----|-----------------------------|
|     |                | air cooling   |        |     | 914                         |
| 1   | 022 119 031    | impeller with pulley and hub<br>M >> W0 170 000<br>M >>EAO 057 000  |        | 1   | 914-4/1,7                   |
| (1) | 021 119 031 AD | impeller with pulley and hub<br>M GC0 000 001>><br>M >>EAO 098 793<br>M >>EBO 010 020<br>M >>GAO 016 000<br>M ECO 000 001>><br>M W0 170 001 >><br>M >> W0 250 000 |        | 1   |                             |
| 2   | 021 119 119    | hub   |        | 1   |                             |
| 3   | 021 119 121    | spacer  |        | 1   |                             |
| 4   | 021 119 125 A  | sealing ring  |        | 1   |                             |
| 5   | N 014 326 1    | hexagon-head bolt<br>M 8 X 30<br>self-locking   |        | 1   |                             |
| (6) | 021 119 127    | pan-head screw<br>M 8 X 39<br>M >> W0 170 000<br>M >>EAO 057 000  |        | 3   | 914-4/1,7                   |
| 6   | N 010 246 4    | hexagon-head bolt<br>M 8 X 45<br>M GC0 000 001>><br>M >>EAO 098 793<br>M >>EBO 010 020<br>M >>GAO 016 000<br>M >> W0 250 000<br><br>M EAO 057 001>>               |        | 3   | 914-1,7/1,8V<br>914-1,8/2,0 |
| 7   | N 012 241 11   | spring washer<br>B 8 X 15   |        | 3   |                             |
| 8   | 900 031 001 02 | washer<br>8,4<br>M >> W0 170 000<br>M >>EAO 057 000   |        | 3   | 914-4/1,7<br>914-1,8V/2,0   |
| 9   | 021 119 131    | washer  |        | 1   |                             |

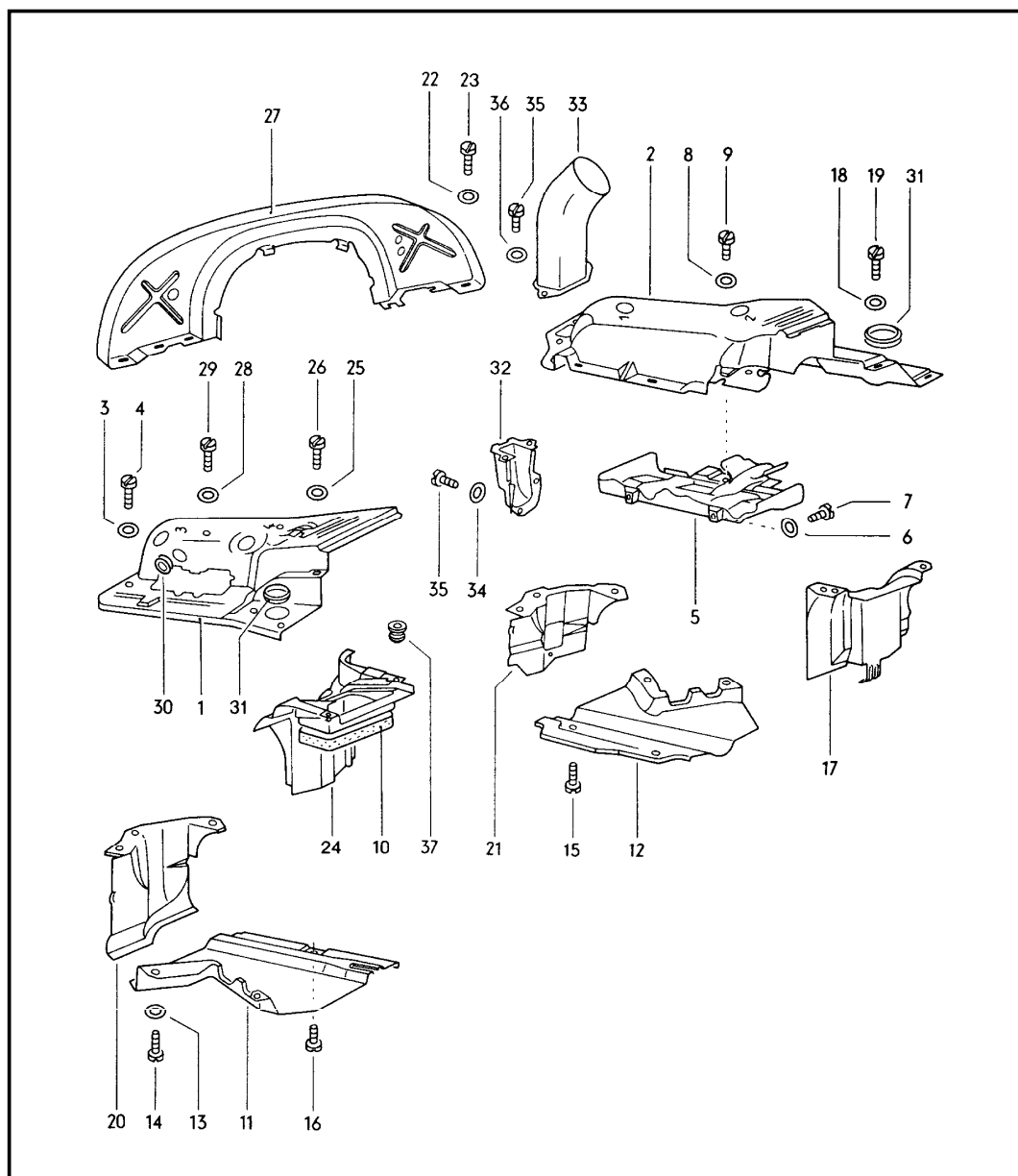
|       |      |    |    |              |              |     |              |            |         |     |         |
|-------|------|----|----|--------------|--------------|-----|--------------|------------|---------|-----|---------|
| Model | Year | MG | SG | Illustration | Restrictions | UPD | 18:10        | 30.01.2010 | PORSCHE | PET | PORSCHE |
| 914   | 1976 | 1  | 15 | 115-00       |              | 248 | USA / CANADA |            |         |     |         |

| Pos  | Part Number   | Description  | Remark | Qty | Model                       | Pos  | Part Number    | Description   | Remark | Qty | Model                       |
|------|---------------|--|--------|-----|-----------------------------|------|----------------|---|--------|-----|-----------------------------|
| 10   | 021 119 149   | cap  |        | 1   | 914-4/1,7                   | (22) | 021 119 281 D  | cover plate for generator   |        | 1   | 914-4                       |
| (11) | 022 119 199 A | fan housing<br>M >> W0 129 581   |        | 1   | 914-4                       |      |                | M >> W0 129 581   |        |     |                             |
| 11   | 021 119 199 D | fan housing<br>M >>EA0 098 793<br>M >>EBO 010 020<br>M >>GA0 016 000<br>M >>ECO 037 551<br>M >> W0 250 000 |        | 1   | 914-1,7/1,8V<br>914-1,8/2,0 | 22   | 021 119 281 D  | cover plate for generator<br>M W0 129 582 >><br>M >>EA0 098 793<br>M >>EBO 010 020<br>M >>GA0 016 000<br>M >>ECO 037 551<br>M >> W0 250 000 |        | 1   | 914-1,7/1,8V<br>914-1,8/2,0 |
| (11) | 021 119 199 D | fan housing<br>M ECO 037 552>>   |        | 1   | 914-1,8V/1,8<br>914-2,0     | (22) | 022 119 281    | cover plate for generator<br>M GC0 000 001>><br>M ECO 037 552>>   |        | 1   | 914-1,8V/1,8<br>914-2,0     |
| (11) | 021 119 199 N | fan housing<br>M GC0 000 001>>   |        | 1   | 914-2,0                     |      |                |   |        |     |                             |
| 12   | N 014 532 3   | stud<br>AM 8 A X 32  |        | 1   |                             | 23   | 021 119 295    | lid   |        | 1   |                             |
| 13   | 311 405 381   | stopper  |        | 2   |                             | 24   | N 012 226 5    | spring washer<br>B 6  |        | 1   |                             |
| 14   | N 012 241 11  | spring washer<br>B 8 X 15  |        | 3   |                             | 25   | N 010 346 5    | hexagon-head bolt<br>BM 6 X 30  |        | 1   |                             |
| 15   | N 010 244 11  | hexagon-head bolt<br>M 8 X 30  |        | 3   |                             | 26   | N 011 652 1    | washer<br>7   |        | 1   |                             |
| 16   | N 012 226 5   | spring washer<br>B 6   |        | 8   |                             | 27   | N 014 139 5    | pan-head screw<br>AM 6 X 12   |        | 1   |                             |
| 17   | N 010 719 2   | pan-head screw<br>AM 6 X 20  |        | 8   |                             | 28   | 022 119 512    | cover plate for engine  | /V/L   | 1   |                             |
| 18   | 021 119 233 A | lid  |        | 1   |                             | 29   | N 011 652 1    | washer<br>7   |        | 1   |                             |
| -    | 021 119 249 E | identification for adjustment ignition point<br>M GC0 000 001>>  |        | 1   | 914-2,0                     | 30   | 999 072 005 09 | hexagon-head bolt<br>M 6 X 12   |        | 1   |                             |
| 19   | 021 119 263 A | flap   | /R     | 1   |                             | 31   | 022 119 521 A  | cover plate for engine  | /V/R   | 1   |                             |
| 20   | 021 119 264 A | flap   | /L     | 1   |                             | 32   | N 011 652 1    | washer<br>7   |        | 7   |                             |
| -    | 021 119 270   | axle   |        | X   |                             | 33   | N 014 139 5    | pan-head screw<br>AM 6 X 12   |        | 7   |                             |
| 21   | -             | 62,55 MM   | /R     | 2   |                             |      |                |   |        |     |                             |
| (21) | -             | 56 MM  | /L     | 2   |                             |      |                |   |        |     |                             |

|       |      |    |    |              |              |     |              |            |         |     |         |
|-------|------|----|----|--------------|--------------|-----|--------------|------------|---------|-----|---------|
| Model | Year | MG | SG | Illustration | Restrictions | UPD | 18:10        | 30.01.2010 | PORSCHE | PET | PORSCHE |
| 914   | 1976 | 1  | 15 | 115-00       |              | 248 | USA / CANADA |            |         |     |         |

| Pos | Part Number   | Description                               | Remark | Qty | Model                   | Pos | Part Number | Description | Remark | Qty | Model |
|-----|---------------|---|--------|-----|-------------------------|-----|-------------|-------------|--------|-----|-------|
| 34  | 021 119 543 A | gasket<br>front<br>engine cover<br>650 MM |        | 2   |                         |     |             |             |        |     |       |
| 35  | 411 813 215 A | protective rubber                         |        | 1   |                         |     |             |             |        |     |       |
| 36  | 021 119 569 A | rubber sleeve                             |        | 2   | 914-1,8V/1,8<br>914-2,0 |     |             |             |        |     |       |

|       |      |    |    |              |              |     |              |            |         |     |         |
|-------|------|----|----|--------------|--------------|-----|--------------|------------|---------|-----|---------|
| Model | Year | MG | SG | Illustration | Restrictions | UPD | 18:10        | 30.01.2010 | PORSCHE | PET | PORSCHE |
| 914   | 1976 | 1  | 15 | 115-05       |              | 248 | USA / CANADA |            |         |     |         |



| Pos | Part Number   | Description  | Remark | Qty | Model                     |
|-----|---------------|--|--------|-----|---------------------------|
|     |               | engine cover<br>air duct   |        |     | 914                       |
| 1   | 022 119 299 A | cover plate<br>for<br>cylinder   | /R     | 1   | 914-4/1,7<br>914-1,8V/1,8 |
| (1) | 039 119 299 A | cover plate<br>for<br>cylinder   | /R     | 1   | 914-2,0                   |
| -   | 039 119 991   | cap<br>for<br>cover plate  | /R     | 1   | 914-2,0                   |
| (2) | 039 119 300 C | cover plate<br>for<br>cylinder<br>M >> W0 129 581<br>M EA0 057 001>><br>M >>EA0 098 793<br>M >>EB0 010 020 | /L     | 1   | 914-4/1,7                 |
| 2   | 022 119 300 D | cover plate<br>for<br>cylinder<br>M W0 129 582 >><br>M >> W0 170 000<br>M >>EA0 057 000                    | /L     | 1   | 914-4/1,7<br>914-1,8V     |
| (2) | 022 119 300 G | cover plate<br>for<br>cylinder   | /L     | 1   | 914-1,8                   |
| (2) | 039 119 300   | cover plate<br>for<br>cylinder<br>M >>GA0 016 000<br>M GC0 000 001>>                                       | /L     | 1   | 914-2,0                   |
| -   | 021 119 337   | grommet<br>for<br>cover plate  |        | 1   |                           |
| 3   | N 011 652 1   | washer<br>7  |        | 8   |                           |
| 4   | N 010 710 8   | pan-head screw<br>AM 6 X 10  |        | 8   |                           |
| (5) | 021 119 319 A | baffle plate   | /R     | 1   |                           |
| 5   | 021 119 320 A | baffle plate   | /L     | 1   |                           |
| 6   | N 011 652 1   | washer   |        | 4   |                           |

|       |      |    |    |              |              |     |              |            |         |     |         |
|-------|------|----|----|--------------|--------------|-----|--------------|------------|---------|-----|---------|
| Model | Year | MG | SG | Illustration | Restrictions | UPD | 18:10        | 30.01.2010 | PORSCHE | PET | PORSCHE |
| 914   | 1976 | 1  | 15 | 115-05       |              | 248 | USA / CANADA |            |         |     |         |

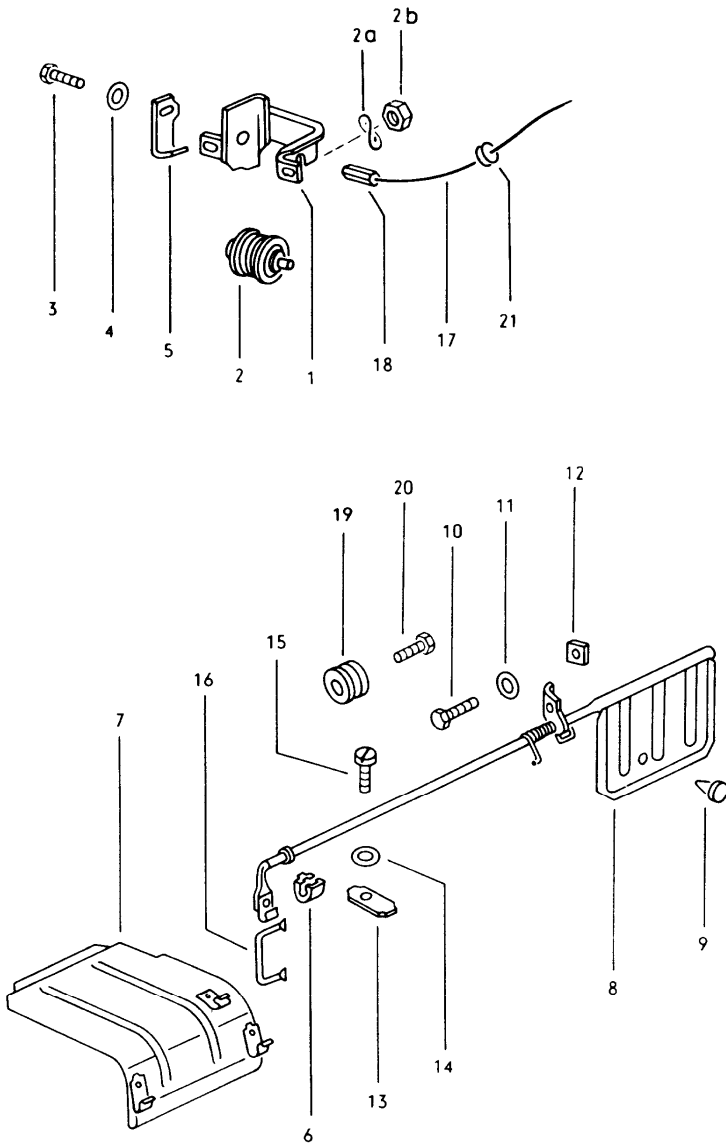
| Pos  | Part Number    | Description  | Remark | Qty | Model                       | Pos  | Part Number   | Description   | Remark | Qty | Model                     |
|------|----------------|--|--------|-----|-----------------------------|------|---------------|---|--------|-----|---------------------------|
| 7    | N 010 710 8    | pan-head screw<br>AM 6 X 10  |        | 4   |                             | 18   | N 011 652 1   | washer<br>7   |        | 3   |                           |
| 8    | 900 025 003 02 | washer<br>A 5,3  |        | 2   |                             | 19   | N 014 139 5   | pan-head screw<br>AM 6 X 12   |        | 3   |                           |
| 9    | N 010 704 2    | pan-head screw<br>AM 5 X 10  |        | 2   |                             | 20   | 022 119 361   | air duct  | /H/R   | 1   |                           |
| 10   | 021 119 329    | gasket<br>for<br>oil cooler  |        | 1   |                             | 21   | 022 119 362   | air duct  | /H/L   | 1   | 914-4/1,7<br>914-1,8      |
| (11) | 039 119 353    | air duct<br>floor<br>M ECO 037 552>><br>M GC0 000 001>>  | /L     | 1   | 914-1,8/2,0                 |      |               | M ECO 000 001>><br>M EA0 057 001>><br>M >> W0 129 581<br>M >>EA0 098 793<br>M >>EBO 010 020   |        |     |                           |
| 11   | 022 119 355    | air duct<br>floor<br>M >>EA0 098 793<br>M >>EBO 010 020<br>M >>ECO 037 551<br>M >>GA0 016 000                    | /R     | 1   |                             | (21) | 022 119 362 A | air duct<br>M W0 129 582 >><br>M EA0 000 001>><br>M >> W0 170 000<br>M >>EA0 057 000  | /H/L   | 1   | 914-4/1,7<br>914-1,8V     |
| 12   | 022 119 356 A  | air duct<br>floor<br>M >> W0 170 000<br>M >>EA0 057 000  | /L     | 1   | 914-4                       | 22   | N 011 652 1   | washer<br>7   |        | 4   |                           |
| (12) | 039 119 354    | air duct<br>floor<br>M ECO 037 552>><br>M GC0 000 001>>  | /R     | 1   | 914-1,8/2,0                 | 23   | N 014 139 5   | pan-head screw<br>AM 6 X 12   |        | 4   |                           |
| (12) | 022 119 356 B  | air duct<br>floor<br>M EA0 057 001>><br>M >>EA0 098 793<br>M >>EBO 010 020<br>M >>ECO 037 551<br>M >>GA0 016 000 | /L     | 1   | 914-1,7/1,8V<br>914-1,8/2,0 | 24   | 021 119 367   | air duct  | /V/R   | 1   |                           |
| 13   | N 011 652 1    | washer<br>7  |        | 8   |                             | 25   | N 011 652 1   | washer<br>7   |        | 4   |                           |
| 14   | N 014 139 5    | pan-head screw<br>AM 6 X 12  |        | 5   |                             | 26   | N 014 139 5   | pan-head screw<br>AM 6 X 12   |        | 4   |                           |
| 15   | N 010 715 2    | pan-head screw<br>AM 6 X 15  |        | 2   |                             | 27   | 022 119 517 R | engine cover<br>M EA0 057 001>><br>M >> W0 129 581<br>M >>EA0 098 793<br>M >>EBO 010 020<br>M >>GA0 006 765<br>use also:<br>411 813 215 A | /H     | 1   | 914-4/1,7<br>914-1,8V/2,0 |
| 16   | N 010 710 8    | pan-head screw<br>AM 6 X 10  |        | 2   |                             | (27) | 022 119 517 R | engine cover<br>M W0 129 582 >><br>M >> W0 170 000<br>M >>EA0 057 000<br>use also:<br>411 813 215 A                                       | /H     | 1   | 914-4/1,7                 |
| 17   | 021 119 358    | air duct   | /V/L   | 1   |                             |      |               |   |        |     |                           |



|       |      |    |    |              |              |     |              |            |         |     |         |
|-------|------|----|----|--------------|--------------|-----|--------------|------------|---------|-----|---------|
| Model | Year | MG | SG | Illustration | Restrictions | UPD | 18:10        | 30.01.2010 | PORSCHE | PET | PORSCHE |
| 914   | 1976 | 1  | 15 | 115-05       |              | 248 | USA / CANADA |            |         |     |         |

| Pos  | Part Number   | Description  | Remark | Qty | Model                   | Pos | Part Number | Description | Remark | Qty | Model |
|------|---------------|--|--------|-----|-------------------------|-----|-------------|-------------|--------|-----|-------|
| (27) | 022 119 517 R | engine cover<br>M GA0 006 766>><br>M GC0 000 001>><br>M EC0 000 001>><br>M >>GA0 016 000 |        | 1   | 914-1,8V/1,8<br>914-2,0 |     |             |             |        |     |       |
| 28   | N 011 652 1   | washer<br>7  |        | 2   |                         |     |             |             |        |     |       |
| 29   | N 014 139 5   | pan-head screw<br>AM 6 X 12  |        | 2   |                         |     |             |             |        |     |       |
| 30   | 021 119 553   | grommet<br>for<br>cover plate<br>cylinder<br>right                                       |        | 1   |                         |     |             |             |        |     |       |
| 31   | 021 119 627 B | grommet<br>for<br>cover plate<br>cylinder<br>left<br>and<br>right                        |        | 2   |                         |     |             |             |        |     |       |
| (31) | 022 119 627   | grommet<br>for<br>adapter  |        | 1   | 914-1,8V                |     |             |             |        |     |       |
| 32   | 022 119 629   | baffle plate<br>M W0 129 582 >><br>M >> W0 170 000<br>M >>EA0 057 000                    |        | 1   | 914-4                   |     |             |             |        |     |       |
| 33   | 022 119 639   | intake manifold<br>M W0 129 582 >><br>M >> W0 170 000<br>M >>EA0 057 000                 |        | 1   | 914-4                   |     |             |             |        |     |       |
| 35   | N 010 715 2   | pan-head screw<br>AM 6 X 15  |        | 4   | 914-4                   |     |             |             |        |     |       |
| 35   | N 010 715 2   | pan-head screw<br>AM 6 X 15  |        | 2   | 914-1,8                 |     |             |             |        |     |       |
| 36   | N 012 226 5   | spring washer<br>B 6   |        | 2   | 914-4/1,8V              |     |             |             |        |     |       |
| 37   | 021 119 957   | protection cap<br>for<br>oil pressure switch   |        | 1   |                         |     |             |             |        |     |       |

|       |      |    |    |              |              |     |              |            |         |     |         |
|-------|------|----|----|--------------|--------------|-----|--------------|------------|---------|-----|---------|
| Model | Year | MG | SG | Illustration | Restrictions | UPD | 18:10        | 30.01.2010 | PORSCHE | PET | PORSCHE |
| 914   | 1976 | 1  | 15 | 115-10       |              | 248 | USA / CANADA |            |         |     |         |

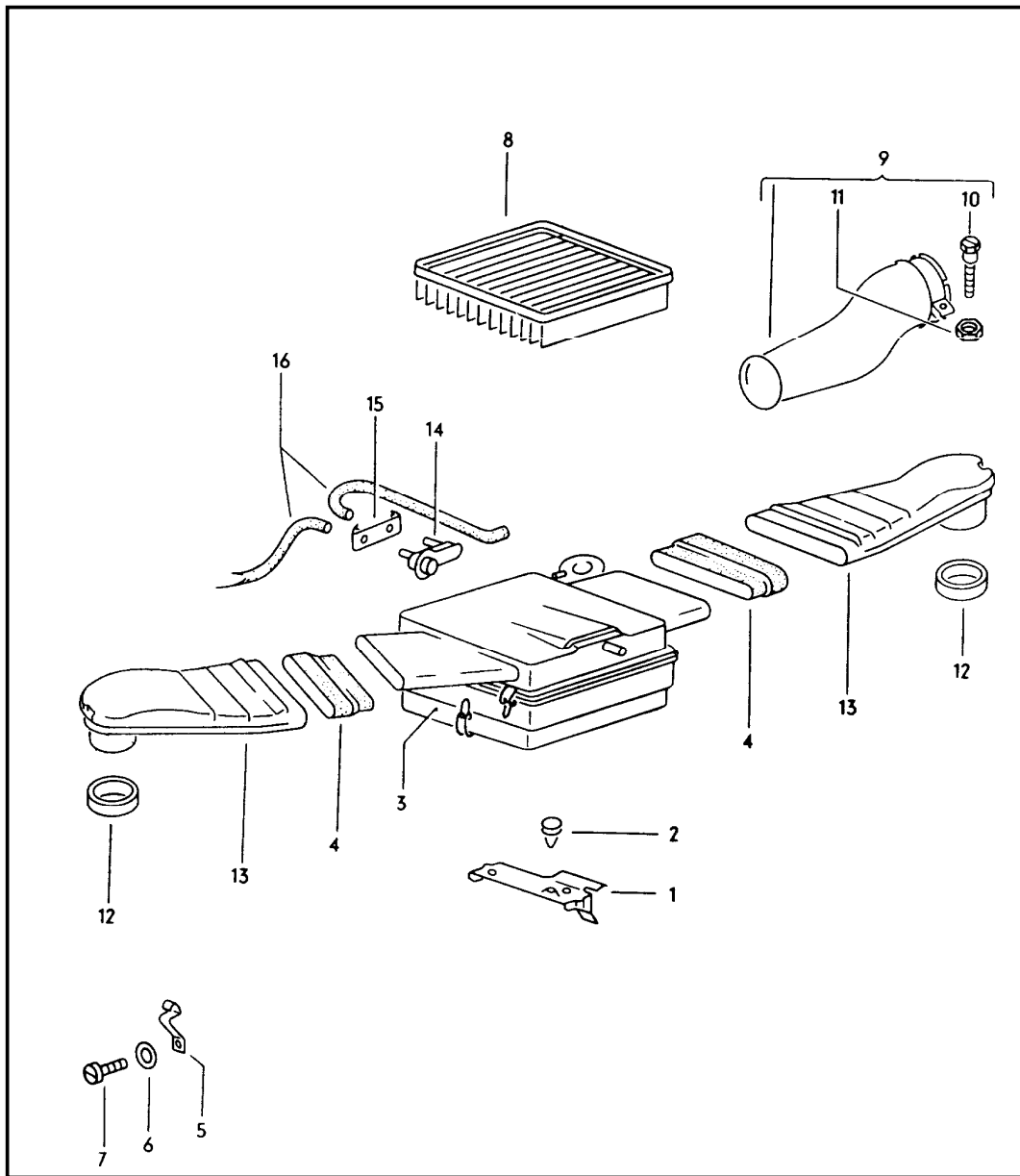


| Pos | Part Number    | Description                                    | Remark | Qty | Model |
|-----|----------------|--|--------|-----|-------|
|     |                | cooling air control                            |        |     | 914   |
| 1   | 022 119 155    | support for thermostat                         |        | 1   |       |
| 2   | 021 119 159 A  | thermostat                                     |        | 1   |       |
| 2A  | N 012 226 5    | spring washer B 6                              |        | 2   |       |
| 2B  | 900 076 010 02 | hexagon nut M 6                                |        | 2   |       |
| 3   | 900 075 078 02 | hexagon-head bolt M 8 X 15                     |        | 1   |       |
| 4   | N 011 654 2    | washer 9,5                                     |        | 1   |       |
| 5   | 022 119 175    | retaining bracket for heating air supply lower |        | 1   |       |
| 6   | 021 119 187    | bearing shell                                  |        | 2   |       |
| 7   | 021 119 309    | air flap cooling air duct                      | /R     | 1   |       |
| 8   | 021 119 711    | air flap                                       | /L     | 1   |       |
| 9   | N 020 022 3    | stopper A 8 X 1                                |        | 1   |       |
| 10  | 900 075 116 02 | hexagon-head bolt M 4 X 8                      |        | 1   |       |
| 11  | 900 025 002 02 | washer A 4,3                                   |        | 1   |       |
| 12  | 021 119 725    | square nut M 4                                 |        | 1   |       |
| 13  | 021 119 729 A  | retainer spring                                |        | 2   |       |
| 14  | N 012 226 5    | spring washer B 6                              |        | 2   |       |
| 15  | N 010 710 8    | pan-head screw AM 6 X 10                       |        | 2   |       |
| 16  | 021 119 745    | clip   |        | 1   |       |
| 17  | 021 119 751    | traction                                       |        | 1   |       |

|       |      |    |    |              |              |     |              |            |         |     |         |
|-------|------|----|----|--------------|--------------|-----|--------------|------------|---------|-----|---------|
| Model | Year | MG | SG | Illustration | Restrictions | UPD | 18:10        | 30.01.2010 | PORSCHE | PET | PORSCHE |
| 914   | 1976 | 1  | 15 | 115-10       |              | 248 | USA / CANADA |            |         |     |         |

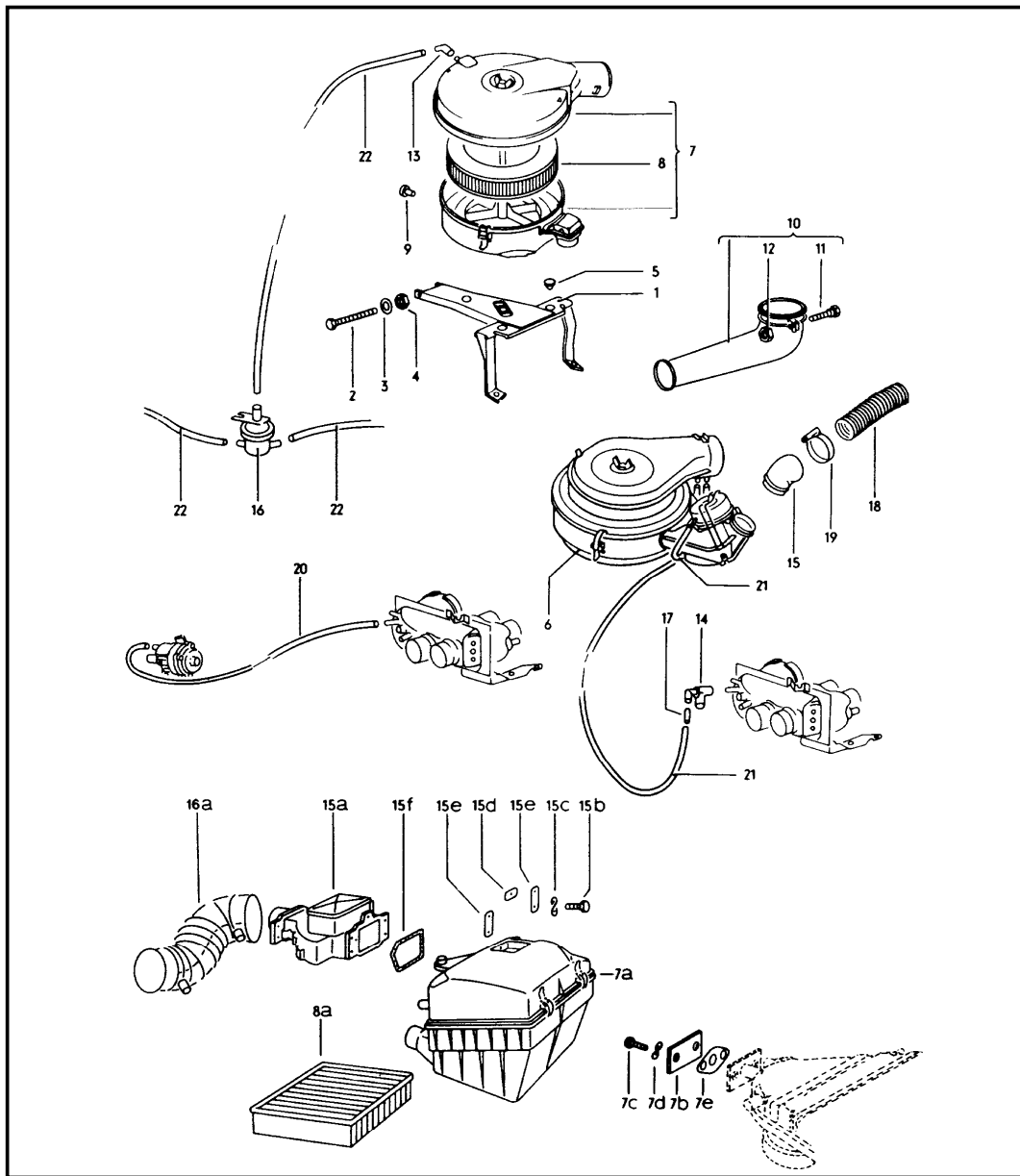
| Pos | Part Number   | Description              | Remark | Qty | Model | Pos | Part Number | Description | Remark | Qty | Model |
|-----|---------------|--------------------------|--------|-----|-------|-----|-------------|-------------|--------|-----|-------|
| 18  | 070 119 765   | union nut<br>M 7 X 0,75  |        | 1   |       |     |             |             |        |     |       |
| -   | N 011 533 2   | washer<br>A 7,4          |        | 1   |       |     |             |             |        |     |       |
| 19  | 021 119 769 A | roller                   |        | 1   |       |     |             |             |        |     |       |
| 20  | 271 821 767   | hexagon-head bolt<br>M 6 |        | 1   |       |     |             |             |        |     |       |
| 21  | 021 119 955   | sealing washer           |        | 1   |       |     |             |             |        |     |       |

|       |      |    |    |              |              |     |              |            |         |     |         |
|-------|------|----|----|--------------|--------------|-----|--------------|------------|---------|-----|---------|
| Model | Year | MG | SG | Illustration | Restrictions | UPD | 18:11        | 30.01.2010 | PORSCHE | PET | PORSCHE |
| 914   | 1976 | 1  | 16 | 116-00       |              | 248 | USA / CANADA |            |         |     |         |



| Pos | Part Number    | Description                                  | Remark | Qty | Model    |
|-----|----------------|--|--------|-----|----------|
| 1   | 021 129 545 C  | air cleaner<br>bracket<br>for<br>air cleaner |        | 2   | 914-1,8V |
| -   | N 011 652 1    | washer<br>7                                  |        | 2   |          |
| -   | N 014 139 5    | pan-head screw<br>AM 6 X 12                  |        | 2   |          |
| 2   | N 020 022 3    | stopper<br>A 8 X 1                           |        | 4   |          |
| 3   | 021 129 607 M  | air cleaner                                  |        | 1   |          |
| 4   | 021 129 619 B  | rubber sleeve                                |        | 2   |          |
| (5) | 021 129 693    | tensioning spring                            |        | 2   |          |
| 6   | N 012 226 5    | spring washer<br>B 6                         |        | 2   |          |
| 7   | N 010 713 1    | pan-head screw<br>AM 6 X 8                   |        | 2   |          |
| 8   | 021 129 620    | air cleaner cartridge                        |        | 1   |          |
| 9   | 021 129 623    | intake manifold                              |        | 1   |          |
| 10  | 111 129 635    | hexagon-head bolt                            |        | 1   |          |
| 11  | 900 076 010 02 | hexagon nut<br>M 6                           |        | 1   |          |
| 12  | 021 129 625 B  | sealing ring                                 |        | 2   |          |
| 13  | 021 129 631 A  | end piece                                    |        | 2   |          |
| 14  | 113 129 828 A  | thermostat                                   |        | 1   |          |
| 15  | 113 129 830    | tab washer                                   |        | 1   |          |
| 16  | N 020 361 2    | hose<br>4 X 2,5                              |        | *   |          |

|       |      |    |    |              |              |     |              |            |         |     |         |
|-------|------|----|----|--------------|--------------|-----|--------------|------------|---------|-----|---------|
| Model | Year | MG | SG | Illustration | Restrictions | UPD | 18:11        | 30.01.2010 | PORSCHE | PET | PORSCHE |
| 914   | 1976 | 1  | 16 | 116-05       |              | 248 | USA / CANADA |            |         |     |         |



| Pos | Part Number    | Description  | Remark        | Qty | Model                    |
|-----|----------------|--|---------------|-----|--------------------------|
|     |                | air cleaner  |               |     | 914-4/1,7<br>914-1,8/2,0 |
| 1   | 022 129 541 A  | bracket  |               | 1   | 914-4/1,7                |
| (1) | 022 129 541 B  | bracket  |               | 1   | 914-1,8                  |
| (1) | 039 129 541 A  | bracket  |               | 1   | 914-2,0                  |
| -   | N 012 226 5    | spring washer<br>B 6   |               | 3   | 914-1,8                  |
| -   | N 010 210 13   | hexagon-head bolt<br>M 6 X 10  |               | 3   | 914-1,8                  |
| 2   | N 010 351 2    | hexagon-head bolt<br>M 8 X 52  |               | 1   | 914-4/1,7                |
| (2) | 900 075 083 02 | hexagon-head bolt<br>M 8 X 25  |               | 1   | 914-2,0                  |
| 3   | 900 025 007 02 | washer<br>B 8,4  |               | 1   | 914-4/1,7                |
| (3) | N 012 228 3    | spring washer<br>B 8   |               | 1   | 914-2,0                  |
| 4   | N 011 118 14   | hexagon nut<br>BM 8  |               | 1   | 914-4/1,7                |
| 5   | N 020 022 3    | stopper<br>A 8 X 1   |               | 5   | 914-4/1,7<br>914-1,8/2,0 |
| 5   | N 020 022 3    | stopper<br>A 8 X 1   |               | 4   | 914-1,8/2,0              |
| (6) | 022 129 607    | air cleaner<br>M   | >> W0 129 581 | 1   | 914-4                    |
| (6) | 022 129 607 C  | air cleaner<br>carbon canister<br>M                                  | >> W0 129 581 | 1   | 914-4                    |
| 6   | 022 129 607 E  | air cleaner<br>M W0 129 582 >><br>M >> W0 170 000<br>M >>EA0 057 000 |               | 1   | 914-4                    |
| 7   | 022 129 607 H  | air cleaner<br>M EA0 057 001>>                                       |               | 1   | 914-1,7                  |
| 7A  | 022 129 607 K  | air cleaner  |               | 1   | 914-1,8                  |
| -   | N 016 060 1    | wing screw<br>8 X 20   |               | 1   | 914-1,8                  |

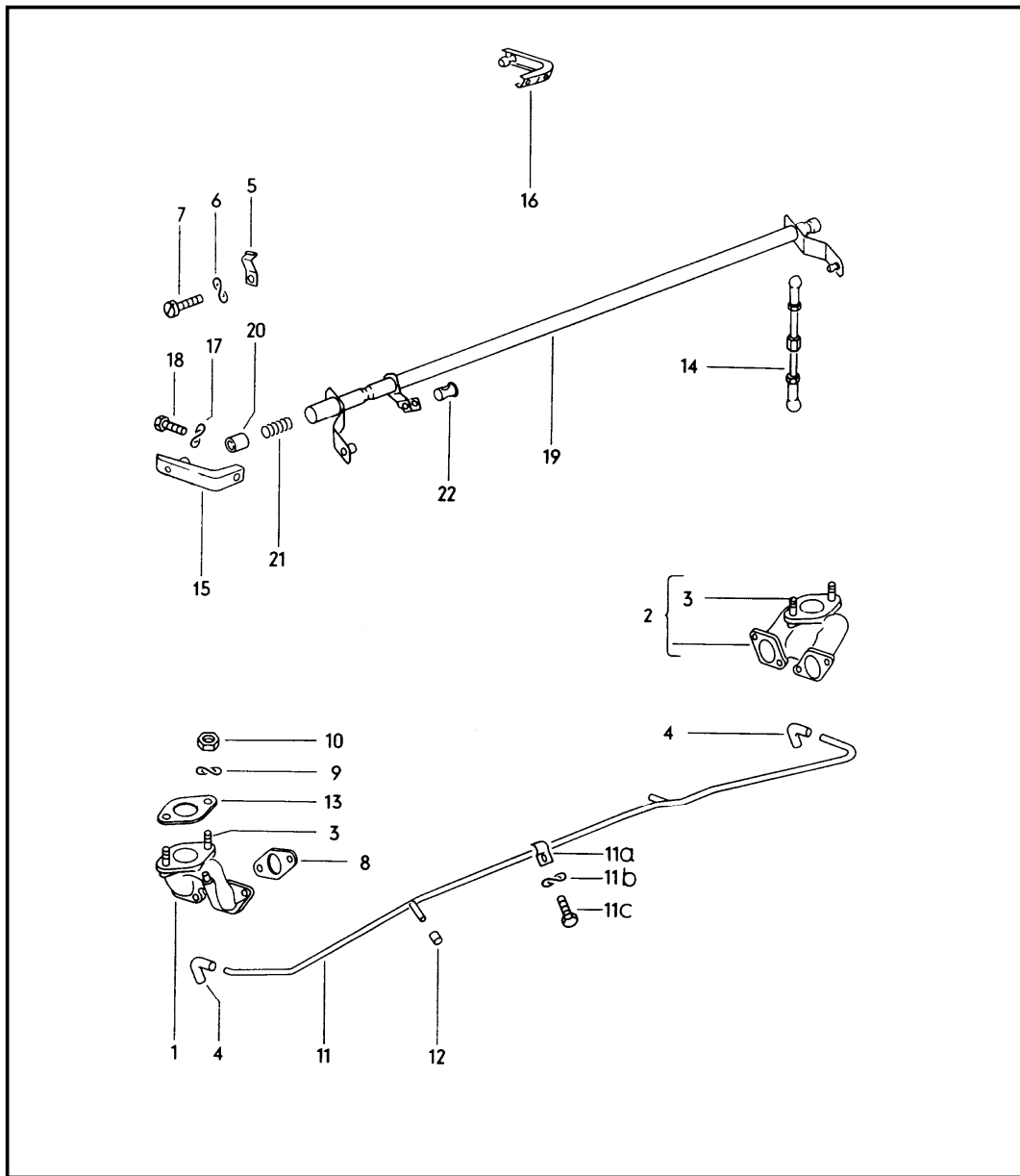
|       |      |    |    |              |              |     |              |            |         |     |         |
|-------|------|----|----|--------------|--------------|-----|--------------|------------|---------|-----|---------|
| Model | Year | MG | SG | Illustration | Restrictions | UPD | 18:11        | 30.01.2010 | PORSCHE | PET | PORSCHE |
| 914   | 1976 | 1  | 16 | 116-05       |              | 248 | USA / CANADA |            |         |     |         |

| Pos  | Part Number    | Description   | Remark | Qty | Model                | Pos   | Part Number    | Description   | Remark | Qty | Model                |
|------|----------------|---|--------|-----|----------------------|-------|----------------|---|--------|-----|----------------------|
| -    | N 012 229 3    | spring washer<br>A 8  |        | 1   | 914-1,8              | 14    | 022 129 637 B  | branch piece<br>air distributor<br>M W0 129 582 >><br>M >> W0 170 000<br>M >>EA0 057 000<br>M EA0 000 001>> |        | 1   | 914-4                |
| (7)  | 039 129 607 A  | air cleaner<br>M >>GA0 016 000  |        | 1   | 914-2,0              |       |                |   |        |     |                      |
| (7A) | 039 129 607 H  | air cleaner<br>use also:<br>039 131 594<br>flange<br>021 131 599<br>gasket<br>M GC0 000 001>> |        | 1   | 914-2,0              | 15    | 022 129 647    | connection piece<br>air cleaner<br>M W0 129 582 >><br>M >> W0 170 000<br>M >>EA0 057 000<br>M EA0 000 001>> |        | 1   | 914-4                |
| 7B   | 039 131 594    | flange  |        | 1   | 914-2,0              | 15A   | 022 906 301    | mass air flow meter<br>M >>ECO 037 551  |        | 1   | 914-1,8              |
| 7C   | N 010 216 7    | hexagon-head bolt<br>M 6 X 18   |        | 2   | 914-2,0              | (15A) | 473 906 301    | mass air flow meter<br>M ECO 037 552>>  |        | 1   | 914-1,8              |
| 7D   | N 012 226 5    | spring washer<br>B 6  |        | 2   | 914-2,0              | 15B   | 900 014 004 02 | pan-head screw<br>M 6 X 12  |        | 5   | 914-1,8              |
| 7E   | 021 131 599 A  | gasket  |        | 1   | 914-2,0              | 15C   | N 012 226 5    | spring washer<br>B 6  |        | 5   | 914-1,8              |
| 8    | 022 129 620    | filter element<br>M EA0 057 001>>   |        | 1   | 914-1,7              | 15D   | 022 129 681    | desk pad  |        | 1   | 914-1,8              |
| 8A   | 039 129 620 A  | filter element<br>M >>GA0 016 000   |        | 1   | 914-1,8/2,0          | 15E   | 022 129 682    | desk pad  |        | 2   | 914-1,8              |
| 9    | 021 129 757 A  | stopper<br>M EA0 057 001>>  |        | 1   | 914-1,7              | 15F   | 022 129 683    | gasket  |        | 1   | 914-1,8              |
| (10) | 022 129 623 A  | intake manifold<br>M >> W0 129 581  |        | 1   | 914-4                | -     | 039 129 681    | support<br>air cleaner  |        | 1   | 914-2,0              |
| 10   | 022 129 623 B  | intake manifold<br>M W0 129 582 >><br>M >>EA0 098 793   |        | 1   | 914-4/1,7            | -     | 039 129 688    | bush  |        | 1   | 914-2,0              |
| (10) | 022 129 623 C  | intake manifold   |        | 1   | 914-1,8              | -     | 039 129 691    | connecting hose<br>40 MM  |        | 2   | 914-2,0              |
| 11   | 111 129 635    | hexagon-head bolt   |        | 1   | 914-4/1,7<br>914-2,0 | 16    | 022 129 961    | branch piece<br>M W0 129 582 >><br>M >>EA0 098 793<br>M >>EBO 010 020<br>M EA0 000 001>>                    |        | 1   | 914-4/1,7<br>914-2,0 |
| 12   | 900 076 010 02 | hexagon nut<br>M 6  |        | 1   | 914-4/1,7<br>914-2,0 | 16A   | 022 129 967 T  | elbow   |        | 1   | 914-1,8              |
| (11) | N 010 697 1    | pan-head screw<br>AM 4 X 10   |        | 1   | 914-1,8              | 17    | 022 133 085    | pipe<br>M W0 129 582 >><br>M >>EA0 098 793  |        | 2   | 914-4                |
| (12) | 900 076 010 02 | hexagon nut<br>M 4  |        | 1   | 914-1,8              | 17    | 022 133 085    | pipe<br>M W0 129 582 >><br>M >>EA0 098 793  |        | 1   | 914-1,7              |
| 13   | 022 129 637    | elbow<br>connecting hose  |        | 2   | 914-4/1,7<br>914-2,0 |       |                |   |        |     |                      |

|       |      |    |    |              |              |     |              |            |         |     |         |
|-------|------|----|----|--------------|--------------|-----|--------------|------------|---------|-----|---------|
| Model | Year | MG | SG | Illustration | Restrictions | UPD | 18:11        | 30.01.2010 | PORSCHE | PET | PORSCHE |
| 914   | 1976 | 1  | 16 | 116-05       |              | 248 | USA / CANADA |            |         |     |         |

| Pos | Part Number   | Description  | Remark | Qty | Model                    | Pos | Part Number | Description | Remark | Qty | Model |
|-----|---------------|--|--------|-----|--------------------------|-----|-------------|-------------|--------|-----|-------|
| 18  | 411 819 365 A | breather hose<br>suction hose<br>320 MM<br>M W0 129 582 >><br>M >> W0 170 000<br>M >>EA0 057 000 |        | 1   | 914-4                    |     |             |             |        |     |       |
| 19  | 111 501 159 B | hose clamp<br>\$ 44 - 64 MM<br>M W0 129 582 >><br>M >> W0 170 000<br>M >>EA0 057 000             |        | 2   | 914-4                    |     |             |             |        |     |       |
| 20  | N 020 281 1   | hose<br>7 X 2,5  |        | *   | 914-4/1,7<br>914-2,0     |     |             |             |        |     |       |
| 21  | N 020 361 2   | hose<br>4 X 2,5  |        | *   | 914-4/1,7<br>914-2,0     |     |             |             |        |     |       |
| 22  | N 020 290 1   | hose<br>12 X 3,3   |        | *   | 914-4/1,7<br>914-1,8/2,0 |     |             |             |        |     |       |
| -   | N 020 343 1   | hose<br>18 X 2,5<br>pot<br>bleeder<br>air cleaner  |        | *   | 914-2,0                  |     |             |             |        |     |       |

|       |      |    |    |              |              |     |              |            |         |     |         |
|-------|------|----|----|--------------|--------------|-----|--------------|------------|---------|-----|---------|
| Model | Year | MG | SG | Illustration | Restrictions | UPD | 18:11        | 30.01.2010 | PORSCHE | PET | PORSCHE |
| 914   | 1976 | 1  | 17 | 117-05       |              | 248 | USA / CANADA |            |         |     |         |



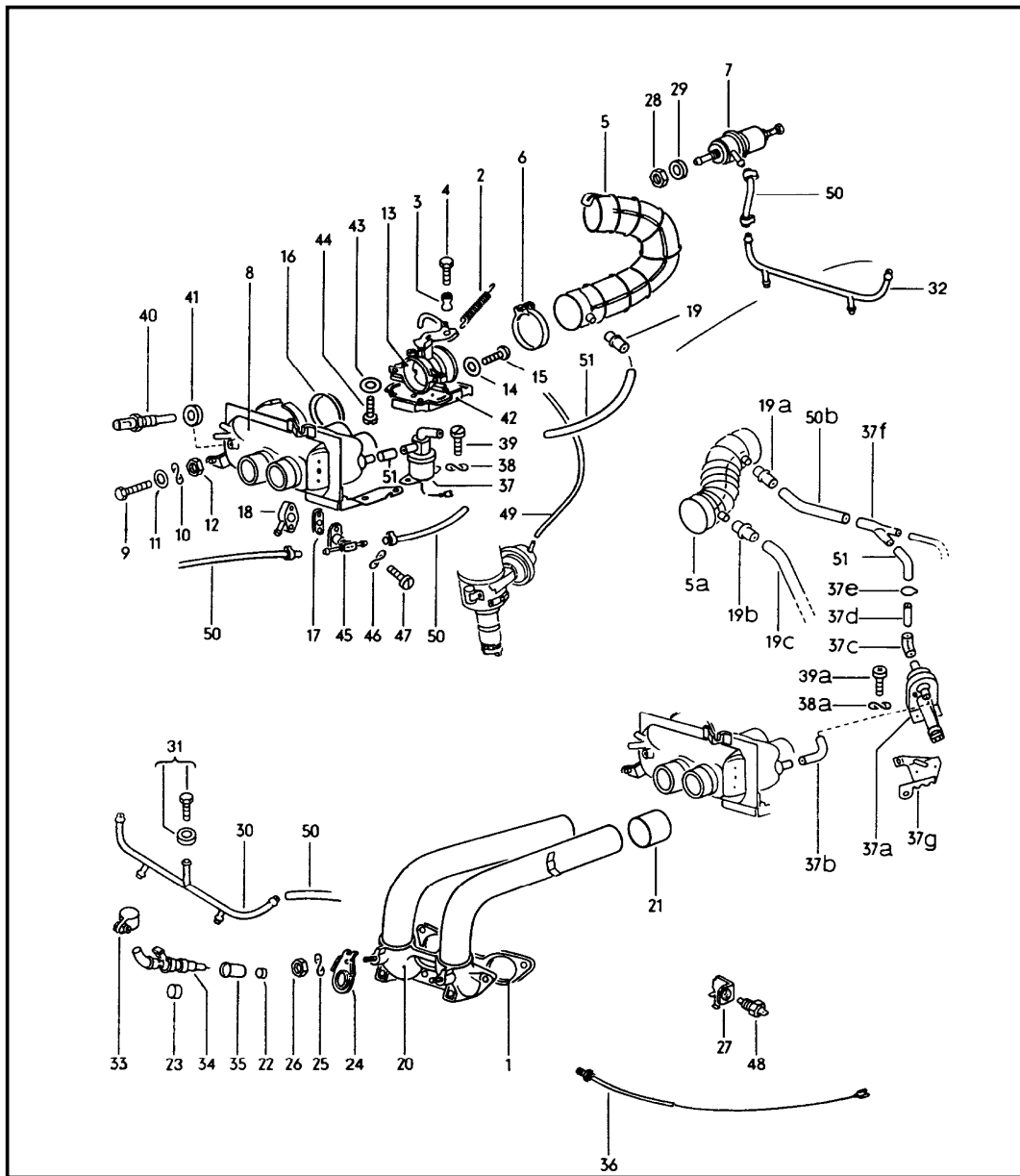
| Pos | Part Number   | Description                                       | Remark | Qty | Model     |
|-----|---------------|---|--------|-----|-----------|
|     |               | intake connection<br>intake pipe<br>control shaft |        |     | 914-1, 8V |
| 1   | 021 129 705 T | intake connection                                 | /R     | 1   |           |
| 2   | 021 129 706 T | intake connection                                 | /L     | 1   |           |
| 3   | N 014 396 3   | stud<br>AM 8 X 50                                 |        | 4   |           |
| 4   | 021 129 637 F | elbow   |        | 2   |           |
| 5   | 021 129 693   | tensioning spring                                 |        | 2   |           |
| 6   | N 012 226 5   | spring washer<br>B 6                              |        | 2   |           |
| 7   | N 010 713 1   | pan-head screw<br>AM 6 X 8                        |        | 2   |           |
| 8   | 021 129 707 E | gasket<br>for<br>intake connection                |        | 4   |           |
| 9   | N 012 241 11  | spring washer<br>B 8 X 15                         |        | 4   |           |
| 10  | N 011 008 8   | hexagon nut<br>M 8                                |        | 1   |           |
| 11  | 021 129 721 M | compensating line                                 |        | 1   |           |
| 11A | 021 129 727 B | support   |        | 1   |           |
| 11B | N 011 555 1   | washer<br>4,3                                     |        | 1   |           |
| 11C | N 011 372 3   | pan-head tapping screw<br>B 3,9 X 6,5             |        | 1   |           |
| 12  | 021 129 753   | stopper<br>\$ 7 MM                                |        | 1   |           |
| 13  | 021 129 795 D | gasket  |        | 2   |           |
| 14  | 021 129 842 B | pull rod  |        | 2   |           |
| 15  | 021 129 917 C | bearing bracket                                   | /R     | 1   |           |
| 16  | 021 129 918 B | bearing bracket                                   | /L     | 1   |           |
| 17  | N 012 226 5   | spring washer<br>B 6                              |        | 4   |           |
| 18  | N 010 215 13  | hexagon-head bolt<br>M 6 X 15                     |        | 4   |           |



|       |      |    |    |              |              |     |              |            |         |     |         |
|-------|------|----|----|--------------|--------------|-----|--------------|------------|---------|-----|---------|
| Model | Year | MG | SG | Illustration | Restrictions | UPD | 18:11        | 30.01.2010 | PORSCHE | PET | PORSCHE |
| 914   | 1976 | 1  | 17 | 117-05       |              | 248 | USA / CANADA |            |         |     |         |

| Pos | Part Number    | Description              | Remark | Qty | Model | Pos | Part Number | Description | Remark | Qty | Model |
|-----|----------------|--------------------------|--------|-----|-------|-----|-------------|-------------|--------|-----|-------|
| 19  | 021 129 933 P  | control shaft            |        | 1   |       |     |             |             |        |     |       |
| 20  | 021 129 957    | ball socket              |        | 1   |       |     |             |             |        |     |       |
| 21  | 021 129 959    | compression spring       |        | 1   |       |     |             |             |        |     |       |
| 22  | 022 133 139    | bearing pin              |        | 1   |       |     |             |             |        |     |       |
| -   | 411 721 577    | tension bolt             |        | 1   |       |     |             |             |        |     |       |
| -   | 900 906 005 01 | circlip                  |        | 1   |       |     |             |             |        |     |       |
| -   | N 029 964 1    | threaded pin<br>AM 5 X 6 |        | 1   |       |     |             |             |        |     |       |

|       |      |    |    |              |              |     |              |            |         |     |         |
|-------|------|----|----|--------------|--------------|-----|--------------|------------|---------|-----|---------|
| Model | Year | MG | SG | Illustration | Restrictions | UPD | 18:11        | 30.01.2010 | PORSCHE | PET | PORSCHE |
| 914   | 1976 | 1  | 17 | 117-10       |              | 248 | USA / CANADA |            |         |     |         |



| Pos | Part Number    | Description   | Remark | Qty | Model                    |
|-----|----------------|---|--------|-----|--------------------------|
|     |                | injection system  |        |     | 914-4/1,7<br>914-1,8/2,0 |
| 1   | 022 129 707 C  | gasket  |        | 2   | 914-4/1,7                |
| 1   | 022 129 707 F  | gasket<br>without asbestos  |        | 2   | 914-4/1,7                |
| (1) | 022 129 707 F  | gasket<br>without asbestos  |        | 2   | 914-1,8                  |
| (1) | 039 129 707    | gasket  |        | 2   | 914-2,0                  |
| -   | N 012 241 11   | spring washer<br>B 8 X 15   |        | 6   |                          |
| -   | N 011 008 8    | hexagon nut<br>M 8  |        | 6   |                          |
| -   | 900 025 007 02 | washer<br>A 8,4   |        | 6   | 914-1,8                  |
| (2) | 039 129 881 A  | return spring<br>102 MM<br>M GC0 000 001>><br>M >> W0 129 581<br>M >>GA0 016 000                    |        | 1   | 914-4/2,0                |
| 2   | 022 129 881 F  | return spring<br>100 MM<br>M W0 129 582 >><br>M >> W0 250 000<br>M >>EAO 098 793<br>M >>EBO 010 020 |        | 1   | 914-4/1,7                |
| (2) | 022 129 881 F  | return spring<br>100 MM   |        | 1   | 914-1,8/2,0              |
| 3   | 111 129 921    | bearing pin   |        | 1   |                          |
| 4   | N 010 205 6    | hexagon-head bolt<br>M 5 X 10   |        | 1   | 914-4/1,7<br>914-2,0     |
| 5   | 022 129 967 P  | elbow<br>for<br>air cleaner<br>M >> W0 170 000  |        | 1   | 914-4                    |
| 5A  | 022 129 967 T  | elbow   |        | 1   | 914-1,8                  |
| 6   | 211 255 463    | hose clamp<br>\$ 62 - 87 MM   |        | 1   | 914-4/1,8                |
| 7   | PCG 133 030 A  | pressure regulator  |        | 1   | 914-4/1,7<br>914-2,0     |
| (7) | 022 906 035    | pressure regulator  |        | 1   | 914-1,8                  |

|       |      |    |    |              |              |     |              |            |         |     |         |
|-------|------|----|----|--------------|--------------|-----|--------------|------------|---------|-----|---------|
| Model | Year | MG | SG | Illustration | Restrictions | UPD | 18:11        | 30.01.2010 | PORSCHE | PET | PORSCHE |
| 914   | 1976 | 1  | 17 | 117-10       |              | 248 | USA / CANADA |            |         |     |         |

| Pos  | Part Number    | Description  | Remark | Qty | Model                | Pos  | Part Number    | Description  | Remark | Qty | Model                |
|------|----------------|--|--------|-----|----------------------|------|----------------|--|--------|-----|----------------------|
| 8    | 022 133 055 G  | distributor housing  |        | 1   | 914-4/1,7            | 19   | 022 133 199 A  | intermediate piece   |        | 1   | 914-1,7              |
| (8)  | 039 133 055 B  | distributor housing<br>see group<br>1/17/15<br>M >>GA0 006 765 |        | 1   | 914-2,0              | 19A  | 022 133 199 C  | intermediate piece   |        | 1   | 914-1,8              |
|      |                |  |        |     |                      | 19B  | 022 133 199 D  | intermediate piece   |        | 1   | 914-1,8              |
|      |                |  |        |     |                      | 19C  | 022 129 973    | hose   |        | 1   | 914-1,8              |
| 9    | N 010 351 2    | hexagon-head bolt<br>BM 8 X 52                                 |        | 1   | 914-4/1,7<br>914-2,0 | 20   | 022 133 201 B  | intake manifold  | /R     | 1   | 914-4/1,7            |
| 10   | N 012 241 11   | spring washer<br>B 8 X 15                                      |        | 1   |                      | (20) | 022 133 201 D  | intake manifold  | /R     | 1   | 914-1,8              |
| 11   | 900 025 007 02 | washer<br>A 8,4  |        | 1   |                      | (20) | 022 133 202 B  | intake manifold  | /L     | 1   | 914-4/1,7            |
| 12   | N 011 008 8    | hexagon nut<br>M 8   |        | 1   |                      | (20) | 022 133 202 D  | intake manifold  | /L     | 1   | 914-1,8              |
| 13   | 022 133 062 D  | throttle body  |        | 1   | 914-4/1,7            | 21   | 039 133 201 B  | intake manifold  |        | 2   | 914-2,0              |
| (13) | 039 133 062 D  | throttle body<br>see group<br>1/17/15<br>M >>GA0 006 765       |        | 1   | 914-2,0              | (21) | 022 133 241 B  | connecting hose  |        | 4   | 914-4/1,7            |
|      |                |  |        |     |                      | (22) | 039 133 241    | connecting hose  |        | 4   | 914-1,8/2,0          |
|      |                |  |        |     |                      | (22) | 311 133 261    | valve seat<br>inner<br>M >> W0 057 460   |        | 4   | 914-4                |
| 14   | N 012 226 5    | spring washer<br>B 6   |        | 2   | 914-4/1,7<br>914-1,8 | 22   | 311 133 261 A  | valve seat<br>inner<br>M GCO 000 001>><br>M ECO 000 001>><br>M W0 057 461 >><br>M >>EAO 098 793<br>M >>EBO 010 020<br>M >>GA0 016 000<br>M >> W0 250 000 |        | 4   |                      |
| (14) | N 012 228 3    | spring washer<br>B 8   |        | 2   | 914-2,0              |      |                |  |        |     |                      |
| 15   | N 014 145 3    | pan-head screw<br>BM 6 X 30                                    |        | 2   | 914-4/1,7<br>914-1,8 |      |                |  |        |     |                      |
| (15) | N 010 241 2    | hexagon-head bolt<br>M 8 X 25                                  |        | 2   | 914-2,0              | 23   | 311 133 263    | valve seat<br>outer  |        | 4   |                      |
| 16   | 022 133 073    | gasket   |        | 1   | 914-4/1,7            | 24   | 022 133 271    | pressure plate<br>for<br>valve seat  |        | 4   |                      |
| (16) | 022 133 073 A  | gasket   |        | 1   | 914-1,8              |      |                |  |        |     |                      |
| (16) | 039 133 073    | gasket   |        | 1   | 914-2,0              | 25   | N 012 226 5    | spring washer<br>B 6   |        | 4   |                      |
| 17   | 022 133 075 A  | gasket   |        | 1   | 914-4/1,7            | 26   | 900 076 010 02 | hexagon nut<br>M 6   |        | 4   |                      |
| (17) | 022 133 075 A  | gasket   |        | 1   | 914-1,8              |      |                |  |        |     |                      |
| (17) | 039 133 075 A  | gasket<br>0,5 MM   |        | 1   | 914-2,0              | 27   | 022 133 285 B  | support  |        | 1   | 914-4/1,7            |
| (17) | 039 133 075 B  | gasket<br>0,8 MM   |        | 1   | 914-2,0              | (27) | 022 133 285 B  | support  |        | 1   | 914-1,8              |
| 18   | 039 133 079 A  | intermediate piece   |        | 1   | 914-2,0              | (27) | 039 133 285 B  | support  |        | 1   | 914-2,0              |
| (19) | 022 133 199    | intermediate piece   |        | 1   | 914-4                | 28   | 311 133 307    | hexagon nut  |        | 1   | 914-4/1,7<br>914-2,0 |

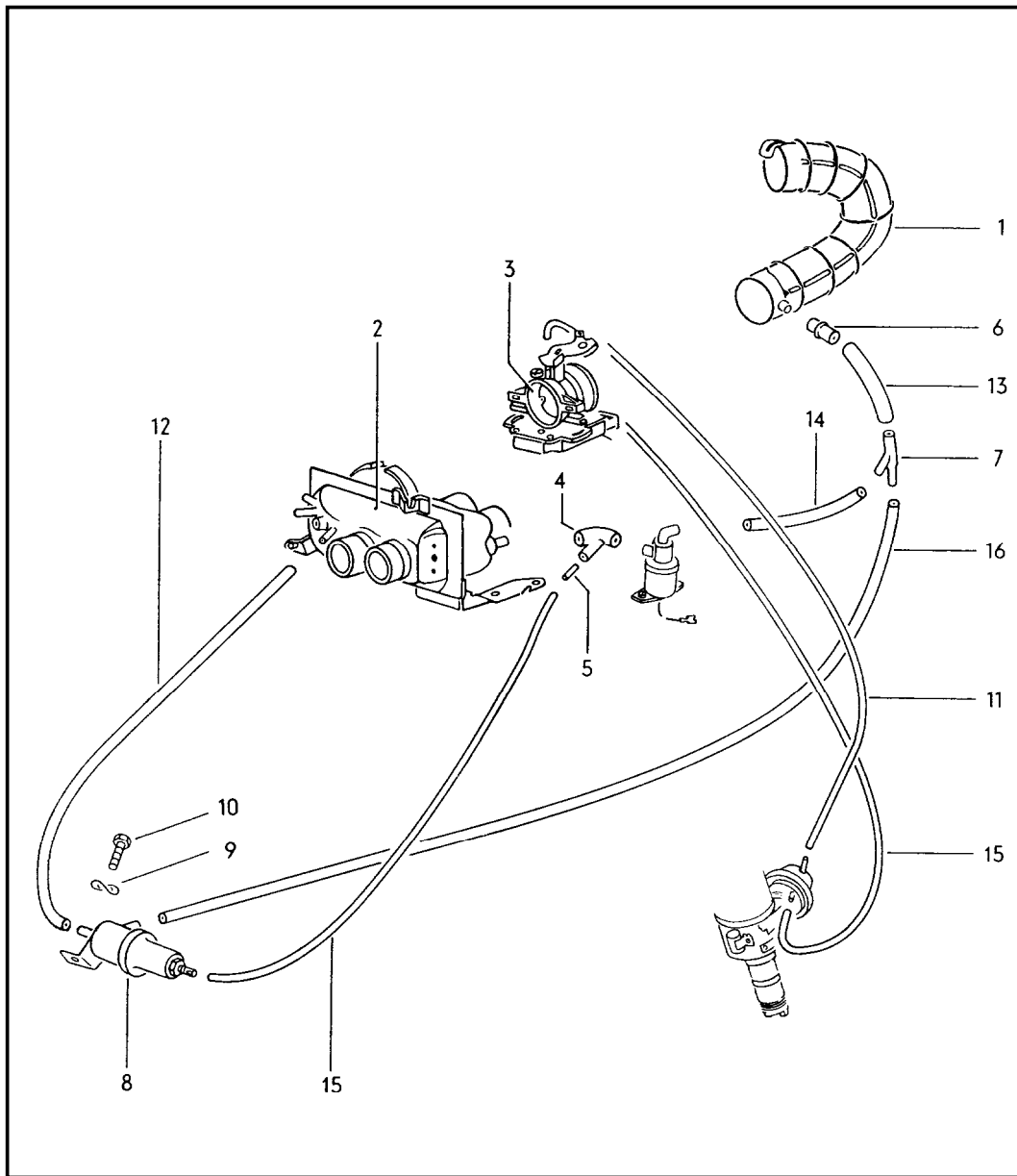
|       |      |    |    |              |              |     |              |            |         |     |         |
|-------|------|----|----|--------------|--------------|-----|--------------|------------|---------|-----|---------|
| Model | Year | MG | SG | Illustration | Restrictions | UPD | 18:11        | 30.01.2010 | PORSCHE | PET | PORSCHE |
| 914   | 1976 | 1  | 17 | 117-10       |              | 248 | USA / CANADA |            |         |     |         |

| Pos  | Part Number    | Description  | Remark | Qty | Model                | Pos  | Part Number    | Description  | Remark | Qty | Model                |
|------|----------------|--|--------|-----|----------------------|------|----------------|--|--------|-----|----------------------|
| 29   | 311 133 309    | insulating piece   |        | 1   | 914-4/1,7<br>914-2,0 | 36   | 311 906 041 A  | temperature sensor<br>for<br>cylinder head                               |        | 1   |                      |
| 30   | 022 133 315 B  | fuel line<br>distributor   | /L     | 1   |                      |      |                | M ECO 000 001>><br>M GC0 000 001>><br>M GA0 006 766>>                    |        |     |                      |
| 31   | N 090 196 1    | hexagon-head bolt<br>with<br>sealing ring<br>M 4 X 8   |        | 1   |                      |      |                | M >>EA0 098 793<br>M >>EBO 010 020<br>M >>GA0 016 000<br>M >> W0 250 000 |        |     |                      |
| 32   | 022 133 321 B  | fuel line<br>distributor   | /R     | 1   |                      | -    | 039 971 762 A  | resistor<br>with<br>temperature sensor                                   |        | 1   | 914-2,0              |
| 33   | 999 512 255 02 | hose clamp<br>for<br>fuel hose<br>\$ 13 MM   |        | 11  |                      |      |                | M >>GA0 016 000  |        |     |                      |
| 34   | 022 906 031 A  | injector valve<br>use also:<br>311.133.261 A<br>M >> W0 057 460  |        | 4   | 914-4/1,7            | 37A  | 944 606 103 00 | auxiliary air regulator  |        | 1   | 914-1,8              |
| (34) | 022 906 031 C  | injector valve   |        | 1   | 914-1,8              | 37B  | N 020 377 1    | hose   |        | 1   | 914-1,8              |
| (34) | 039 906 031    | injector valve<br>M >>GA0 016 000  |        | 4   | 914-2,0              | 37C  | 022 129 637    | elbow  |        | 1   | 914-1,8              |
| (34) | 039 906 031 A  | injector valve<br>M GC0 000 001>><br>connector housing<br>black<br>wiring harness<br>for<br>injector valve |        | 4   | 914-2,0              | 37D  | --- --- --- -- | deleted  |        | X   |                      |
| -    | 037 906 240    | connector housing  |        | 4   |                      | 37E  | 022 129 260    | hose clamp   |        | 1   | 914-1,8              |
| -    | 357 972 741 A  | rubber insert  |        | 8   |                      | 37F  | 022 133 215    | branch piece   |        | 1   | 914-1,8              |
| -    | 999 652 456 22 | contact pin  |        | 8   |                      | 37G  | 022 133 161    | support  |        | 1   | 914-1,8              |
| 35   | 311 906 033    | sleeve   |        | 4   | 914-4/1,7            | 38   | 900 028 007 02 | spring washer<br>B 5   |        | 2   | 914-4/1,7<br>914-2,0 |
| 36   | 022 906 041 A  | temperature sensor<br>for<br>cylinder head<br>M >>GA0 006 765  |        | 1   | 914-2,0              | 38A  | N 012 226 5    | spring washer<br>B 6   |        | 2   | 914-1,8              |
|      |                |  |        |     |                      | 39   | N 010 704 2    | pan-head screw<br>AM 5 X 10  |        | 2   | 914-4/1,7<br>914-2,0 |
|      |                |  |        |     |                      | 39A  | N 014 138 7    | oval-head screw<br>M 6 X 10  |        | 2   | 914-1,8              |
|      |                |  |        |     |                      | 40   | 311 906 081 A  | temperature sensor<br>for<br>distributor housing                         |        | 1   | 914-4/1,7<br>914-2,0 |
|      |                |  |        |     |                      | 41   | N 013 830 2    | sealing ring<br>A 8 X 12   |        | 1   | 914-4/1,7<br>914-2,0 |
|      |                |  |        |     |                      | (42) | 022 906 111 A  | throttle-valve switch<br>M >> W0 129 581                                 |        | 1   | 914-4/1,7            |

|       |      |    |    |              |              |     |              |            |         |     |         |
|-------|------|----|----|--------------|--------------|-----|--------------|------------|---------|-----|---------|
| Model | Year | MG | SG | Illustration | Restrictions | UPD | 18:11        | 30.01.2010 | PORSCHE | PET | PORSCHE |
| 914   | 1976 | 1  | 17 | 117-10       |              | 248 | USA / CANADA |            |         |     |         |

| Pos    | Part Number   | Description   | Remark | Qty | Model                | Pos | Part Number | Description      | Remark | Qty | Model |
|--------|---------------|---|--------|-----|----------------------|-----|-------------|------------------|--------|-----|-------|
| 42     | 022 906 111 B | throttle-valve switch<br>M >>EA0 098 793<br>M W0 129 582 >><br>M >> W0 250 000                                    |        | 1   | 914-4/1,7            | 50B | N 020 371 1 | hose<br>14 X 2,5 |        | *   |       |
| (42)   | 022 906 111 D | throttle-valve switch   |        | 1   | 914-1,8              | 51  | N 020 290 1 | hose<br>12 X 3,3 |        | *   |       |
| (42)   | 039 906 111 A | throttle-valve switch   |        | 1   | 914-2,0              |     |             |                  |        |     |       |
| 43     | N 012 121 2   | lock washer<br>A 4,3  |        | 2   |                      |     |             |                  |        |     |       |
| 44     | N 010 703 2   | pan-head screw<br>AM 4 X 8  |        | 2   |                      |     |             |                  |        |     |       |
| 45     | 022 906 171 A | cold-start valve  |        | 1   | 914-4/1,7            |     |             |                  |        |     |       |
| (45)   | 022 906 171 B | cold-start valve  |        | 1   | 914-1,8              |     |             |                  |        |     |       |
| (45) A | PCG 906 171 B | valve   |        | 1   | 914-2,0              |     |             |                  |        |     |       |
| (45)   | PCG 906 171 B | cold-start valve  |        | 1   | 914-2,0              |     |             |                  |        |     |       |
| 46     | N 012 226 5   | spring washer<br>A 6  |        | 2   |                      |     |             |                  |        |     |       |
| 47     | N 010 710 8   | pan-head screw<br>AM 6 X 10   |        | 2   | 914-4/1,7<br>914-1,8 |     |             |                  |        |     |       |
| (47)   | N 010 727 1   | pan-head screw<br>AM 6 X 30   |        | 2   | 914-2,0              |     |             |                  |        |     |       |
| (48)   | 311 906 161 A | temperature switch<br>M >> W0 057 460   |        | 1   | 914-4                |     |             |                  |        |     |       |
| 48     | 311 906 161 C | temperature switch<br>M W0 057 461 >><br>M >>EA0 098 793<br>M >>EB0 010 020<br>M >>GA0 016 000<br>M >> W0 250 000 |        | 1   | 914-4/1,7<br>914-2,0 |     |             |                  |        |     |       |
| (48)   | 022 906 163   | temperature switch<br>M >>EC0 037 551   |        | 1   | 914-1,8              |     |             |                  |        |     |       |
| (48)   | 022 906 163 A | temperature switch<br>M GC0 000 001>>   |        | 1   | 914-2,0              |     |             |                  |        |     |       |
| (48)   | 043 906 163   | temperature switch<br>M EC0 037 552>>   |        | 1   | 914-1,8              |     |             |                  |        |     |       |
| 49     | N 020 353 5   | hose<br>3,5 X 2   |        | *   |                      |     |             |                  |        |     |       |
| 50     | N 020 281 1   | hose<br>7 X 2,5   |        | *   |                      |     |             |                  |        |     |       |

|       |      |    |    |              |              |     |              |            |         |     |         |
|-------|------|----|----|--------------|--------------|-----|--------------|------------|---------|-----|---------|
| Model | Year | MG | SG | Illustration | Restrictions | UPD | 18:11        | 30.01.2010 | PORSCHE | PET | PORSCHE |
| 914   | 1976 | 1  | 17 | 117-15       |              | 248 | USA / CANADA |            |         |     |         |

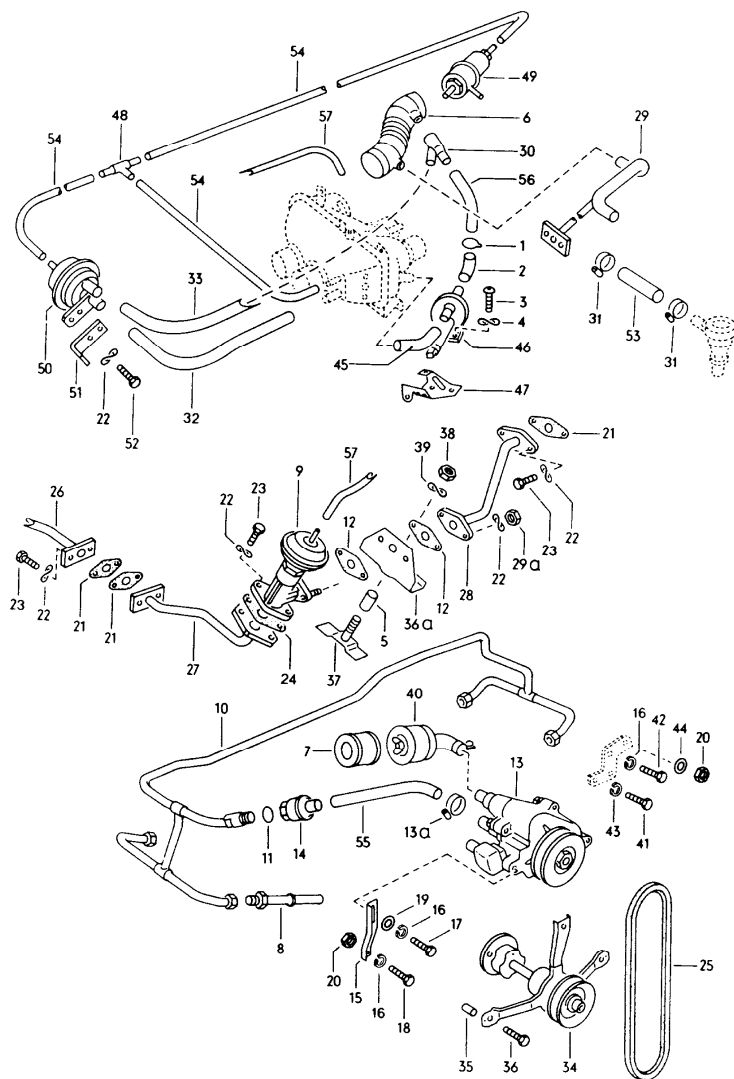


| Pos | Part Number   | Description   | Remark | Qty | Model                    |
|-----|---------------|---|--------|-----|--------------------------|
|     |               | injection system  |        |     | 914-4/1,7<br>914-1,8/2,0 |
| 1   | 022 129 967 L | elbow<br>for<br>air cleaner<br>M >>EA0 057 000  |        | 1   | 914-4                    |
| (1) | 022 129 967 Q | elbow<br>for<br>air cleaner<br>M EA0 057 001>><br>M >> W0 250 000<br>M >>EA0 098 793<br>M >>EBO 010 020 |        | 1   | 914-4/1,7                |
| 2   | 022 133 055 K | distributor housing   |        | 1   | 914-4/1,7                |
| (2) | 022 133 055 S | distributor housing<br>M >>ECO 037 551  |        | 1   | 914-1,8                  |
| (2) | 022 133 055 S | distributor housing<br>M ECO 037 552>>  |        | 1   | 914-1,8                  |
| (2) | 039 133 055 D | distributor housing<br>M GA0 006 766>><br>M >>GA0 016 000   |        | 1   | 914-2,0                  |
| (2) | 039 133 055 E | distributor housing<br>M GC0 000 001>>  |        | 1   | 914-2,0                  |
| 3   | 022 133 062 E | throttle body<br>M >> W0 250 000<br>M >>EA0 098 793<br>M >>EBO 010 020                                  |        | 1   | 914-4/1,7                |
| (3) | 022 133 062 H | throttle body<br>M >>ECO 037 551  |        | 1   | 914-1,8                  |
| (3) | 022 133 062 R | throttle body<br>M ECO 037 552>>  |        | 1   | 914-1,8                  |
| (3) | 022 133 062 L | throttle body<br>M >>ECO 037 551  |        | 1   | 914-1,8<br>(CAL)         |
| (3) | 022 133 062 S | throttle body<br>M ECO 037 552>>  |        | 1   | 914-1,8<br>(CAL)         |
| (3) | 039 133 062 B | throttle body<br>M GA0 006 766>><br>M >>GA0 016 000   |        | 1   | 914-2,0                  |
| (3) | 039 133 062 C | throttle body<br>M GC0 000 001>>  |        | 1   | 914-2,0<br>(CAL)         |

|       |      |    |    |              |              |     |              |            |         |     |         |
|-------|------|----|----|--------------|--------------|-----|--------------|------------|---------|-----|---------|
| Model | Year | MG | SG | Illustration | Restrictions | UPD | 18:11        | 30.01.2010 | PORSCHE | PET | PORSCHE |
| 914   | 1976 | 1  | 17 | 117-15       |              | 248 | USA / CANADA |            |         |     |         |

| Pos | Part Number    | Description   | Remark | Qty | Model                | Pos | Part Number | Description       | Remark | Qty | Model                |
|-----|----------------|---|--------|-----|----------------------|-----|-------------|-------------------|--------|-----|----------------------|
| (3) | 039 133 062 D  | throttle body<br>M GC0 000 001>>                              | (J)    | 1   | 914-2,0              | 14  | N 020 290 1 | hose<br>12 X 3,3  |        | *   |                      |
| -   | N 011 151 2    | hexagon nut<br>M 8<br>for<br>shaft                            |        | 1   | 914-1,8              | 15  | N 020 375 1 | hose<br>4,5 X 2,5 |        | *   | 914-4/1,7<br>914-1,8 |
| 4   | 022 133 083    | elbow<br>for<br>auxiliary air regulator<br>M >>EA0 098 793    |        | 1   | 914-4/1,7            | 16  | N 020 376 1 | hose<br>9 X 3     |        | *   | 914-4/1,7<br>914-1,8 |
| 5   | 022 133 085    | pipe<br>M >>EA0 098 793<br>M W0 129 582 >><br>M >> W0 250 000 |        | 2   | 914-4                |     |             |                   |        |     |                      |
| 5   | 022 133 085    | pipe<br>M >>EA0 098 793<br>M W0 129 582 >><br>M >> W0 250 000 |        | 1   | 914-1,7              |     |             |                   |        |     |                      |
| 6   | 022 133 199 B  | intermediate piece  |        | 1   | 914-4/1,7            |     |             |                   |        |     |                      |
| 7   | 022 133 215    | branch piece<br>M >>EA0 098 793<br>M >>EB0 010 020            |        | 1   | 914-4/1,7<br>914-1,8 |     |             |                   |        |     |                      |
| 8   | 022 133 551    | throttle valve lift<br>M >>EA0 098 793<br>M >>EB0 010 020     |        | 1   | 914-4/1,7<br>914-1,8 |     |             |                   |        |     |                      |
| (8) | 039 133 551    | throttle valve lift   |        | 1   | 914-2,0              |     |             |                   |        |     |                      |
| 9   | N 012 006 4    | lock ring<br>B 6  |        | 1   | 914-4/1,7<br>914-2,0 |     |             |                   |        |     |                      |
| 9   | N 012 006 4    | lock ring<br>B6   |        | X   | 914-1,8              |     |             |                   |        |     |                      |
| 10  | 999 072 005 09 | hexagon-head bolt<br>M 6 X 12                                 |        | 1   | 914-4/1,7<br>914-2,0 |     |             |                   |        |     |                      |
| 10  | 999 072 005 09 | hexagon-head bolt<br>M 6 X 12                                 |        | X   | 914-1,8              |     |             |                   |        |     |                      |
| 11  | N 020 353 5    | hose<br>3,5 X 2   |        | *   |                      |     |             |                   |        |     |                      |
| 12  | N 020 359 2    | hose<br>9 X 2,5   |        | *   | 914-4/1,7<br>914-1,8 |     |             |                   |        |     |                      |
| 13  | N 020 371 1    | hose<br>14 X 2,5  |        | *   | 914-4/1,7<br>914-1,8 |     |             |                   |        |     |                      |

|       |      |    |    |              |              |     |              |            |         |     |         |
|-------|------|----|----|--------------|--------------|-----|--------------|------------|---------|-----|---------|
| Model | Year | MG | SG | Illustration | Restrictions | UPD | 18:11        | 30.01.2010 | PORSCHE | PET | PORSCHE |
| 914   | 1976 | 1  | 18 | 118-00       |              | 248 | USA / CANADA |            |         |     |         |



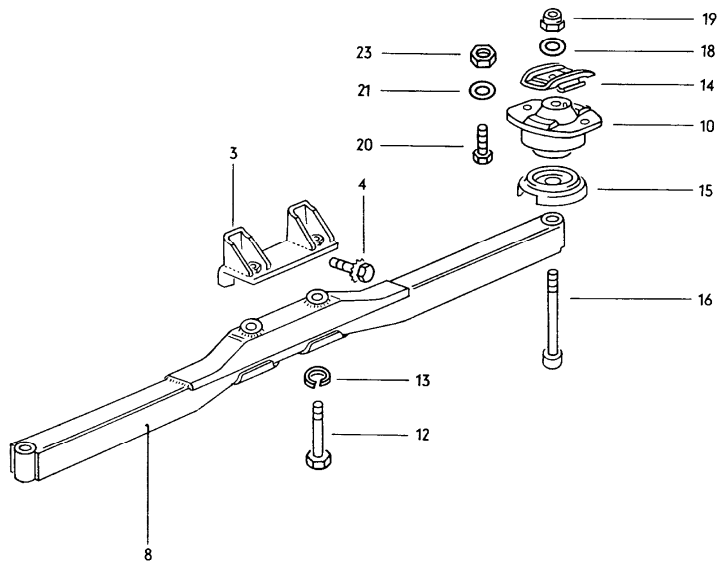
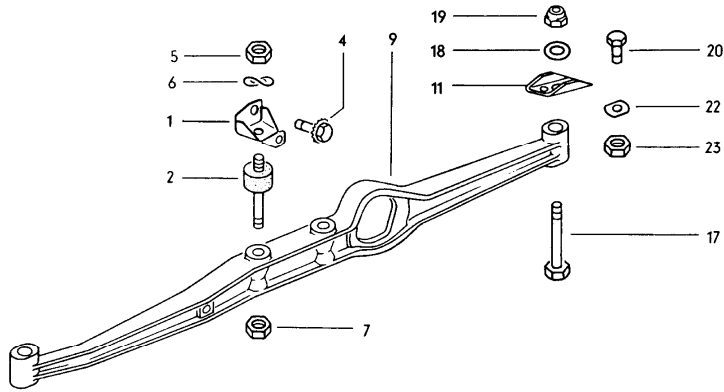
| Pos | Part Number    | Description  | Remark | Qty | Model                |
|-----|----------------|--|--------|-----|----------------------|
|     |                | exhaust gas recirculation<br>air injection               |        |     | 914-1,8/2,0          |
|     |                | from engine number<br>M ECO 037 552>><br>M GCO 000 001>> |        |     |                      |
| 1   | 022 129 260    | hose clamp   |        | 1   | 914-1,8              |
| 2   | 022 129 637    | elbow  |        | 1   | 914-1,8              |
| 3   | N 014 138 7    | oval-head screw<br>M 6 X 10                              |        | 2   | 914-1,8              |
| 4   | N 012 226 5    | spring washer<br>B 6                                     |        | 2   | 914-1,8              |
| 5   | 039 129 688    | bush   |        | 1   | 914-1,8/2,0          |
| 6   | 022 129 967 AA | connecting piece   |        | 1   | 914-1,8              |
| 7   | 113 131 123    | filter cartridge   |        | 1   | 914-2,0              |
| 8   | 021 131 285    | connecting piece   |        | 4   | 914-2,0              |
| 9   | 039 131 501    | egr valve  |        | 1   | 914-1,8/2,0<br>(CAL) |
| 10  | 039 131 581 A  | air distributor  |        | 1   | 914-2,0              |
| 11  | N 013 822 1    | sealing ring<br>20 X 24                                  |        | 1   | 914-2,0              |
| 12  | 021 131 599    | gasket   |        | X   | 914-1,8/2,0          |
| 13  | 039 131 601    | air pump   |        | 1   | 914-2,0              |
| 13A | 999 512 346 00 | hose clamp   |        | 2   | 914-2,0              |
| 14  | 058 131 603    | check valve  |        | 1   | 914-2,0              |
| 15  | 021 131 605    | bracket  |        | 1   | 914-2,0              |
| 16  | 900 027 005 01 | lock ring<br>A 8   |        | 3   | 914-2,0              |
| 17  | N 010 233 6    | hexagon-head bolt<br>M 8 X 28                            |        | 1   | 914-2,0              |
| 18  | 900 075 085 02 | hexagon-head bolt<br>M 8 X 20                            |        | 1   | 914-2,0              |
| 19  | 900 025 007 02 | washer<br>B 8,4  |        | 1   | 914-2,0              |
| 20  | N 011 008 8    | hexagon nut<br>M 8                                       |        | 2   | 914-2,0              |



|       |      |    |    |              |              |     |              |            |         |     |         |
|-------|------|----|----|--------------|--------------|-----|--------------|------------|---------|-----|---------|
| Model | Year | MG | SG | Illustration | Restrictions | UPD | 18:11        | 30.01.2010 | PORSCHE | PET | PORSCHE |
| 914   | 1976 | 1  | 18 | 118-00       |              | 248 | USA / CANADA |            |         |     |         |

| Pos   | Part Number    | Description                                   | Remark | Qty | Model             | Pos | Part Number   | Description                    | Remark | Qty | Model             |
|-------|----------------|---|--------|-----|-------------------|-----|---------------|--------------------------------|--------|-----|-------------------|
| 21    | 021 131 599 A  | gasket  |        | X   | 914-1,8/2,0       | 37  | 039 131 687   | retaining bar                  |        | 1   | 914-1,8/2,0 (CAL) |
| 22    | N 012 226 5    | spring washer<br>B 6                          |        | 10  | 914-1,8/2,0       | 38  | N 011 151 2   | hexagon nut<br>M 8             |        | 1   | 914-1,8/2,0       |
| 23    | N 010 216 7    | hexagon-head bolt<br>M 6 X 18                 |        | 6   | 914-1,8/2,0       | 39  | N 012 229 3   | spring washer<br>A 8           |        | 1   | 914-1,8/2,0       |
| 24    | 071 131 599 C  | gasket  |        | X   | 914-1,8/2,0       | 40  | 021 131 801   | air cleaner<br>for<br>air pump |        | 1   | 914-2,0           |
| 25    | 039 131 615    | v-belt  |        | 1   | 914-2,0           | 41  | N 010 354 2   | hexagon-head bolt<br>M 6 X 95  |        | 2   | 914-1,8/2,0       |
| 26    | 039 131 631    | pipe  |        | 1   | 914-1,8/2,0 (CAL) | 42  | N 010 390 1   | hexagon-head bolt<br>BM 8 X 95 |        | 1   | 914-1,8/2,0       |
| 27    | 039 131 635    | pipe  |        | 1   | 914-1,8/2,0 (CAL) | 43  | N 012 006 4   | lock ring<br>B 6               |        | 1   | 914-1,8/2,0       |
| 28    | 039 131 673    | pipe  |        | 1   | 914-2,0 (CAL)     | 44  | N 012 108 2   | serrated lock washer<br>A 8,4  |        | 1   | 914-1,8/2,0       |
| 29    | 039 131 674 A  | pipe  |        | 1   | 914-1,8 (CAL)     | 45  | N 020 377 1   | hose                           |        | 1   | 914-1,8           |
| (29)  | 022 129 973    | hose  |        | 1   | 914-1,8           | 46  | 022 906 045   | auxiliary air regulator        |        | 1   | 914-1,8           |
| 29A   | 900 076 010 02 | hexagon nut<br>M6                             |        | 2   | 914-1,8/2,0       | 47  | 022 133 161   | support                        |        | 1   | 914-1,8           |
| 30    | 022 133 215 A  | t-piece                                       |        | 1   | 914-1,8           | 48  | 113 201 943 B | t-piece                        |        | 1   | 914-1,8           |
| 31    | 999 512 346 00 | hose clamp                                    |        | 2   | 914-1,8           | 49  | 022 906 035   | pressure regulator             |        | 1   | 914-1,8           |
| 32    | N 020 377 1    | hose  |        | 1   | 914-1,8           | 50  | 022 133 551 B | valve                          |        | 1   | 914-1,8           |
| 33    | N 020 343 1    | hose<br>18 X 2,5                              |        | *   | 914-1,8           | 51  | 039 133 591   | support                        |        | 1   | 914-1,8           |
| 34    | 021 131 681    | drive shaft<br>with<br>pulley                 |        | 1   | 914-2,0           | 52  | N 010 210 13  | hexagon-head bolt<br>M 6 X 10  |        | 2   | 914-1,8           |
| 35    | 900 012 110 00 | straight pin<br>4 M 6 X 14                    |        | 2   | 914-2,0           | 53  | N 020 349 1   | hose<br>21 X 2,5               |        | 1   | 914-1,8           |
| 36    | N 014 344 1    | hexagon-head bolt<br>M 6 X 18                 |        | 3   | 914-2,0           | 54  | N 020 361 2   | hose<br>4 X 2,5                |        | *   | 914-1,8           |
| 36A   | 039 131 685    | support<br>M >>ECO 044 804<br>M >>GC0 002 905 |        | 1   | 914-1,8/2,0 (CAL) | 55  | N 020 363 1   | hose<br>15 X 2,5               |        | *   | 914-2,0           |
| (36A) | 039 131 685 A  | support<br>M ECO 044 805>><br>M GC0 002 906>> |        | 1   | 914-1,8/2,0 (CAL) | 56  | N 020 290 1   | hose<br>12 X 3,3               |        | *   | 914-1,8           |
|       |                |   |        |     |                   | 57  | N 020 353 5   | hose<br>3,5 X 2,5              |        | 1   | 914-1,8/2,0       |

|       |      |    |    |              |              |     |              |            |         |     |         |
|-------|------|----|----|--------------|--------------|-----|--------------|------------|---------|-----|---------|
| Model | Year | MG | SG | Illustration | Restrictions | UPD | 18:12        | 30.01.2010 | PORSCHE | PET | PORSCHE |
| 914   | 1976 | 1  | 19 | 119-00       |              | 248 | USA / CANADA |            |         |     |         |



| Pos | Part Number    | Description                                   | Remark | Qty | Model                       |
|-----|----------------|---|--------|-----|-----------------------------|
|     |                | engine carrier                                |        |     | 914                         |
| (1) | 039 199 221    | supporting plate                              | /L     | 1   | 914-1,7/1,8V<br>914-1,8/2,0 |
| 1   | 039 199 222    | supporting plate                              | /R     | 1   | 914-1,7/1,8V<br>914-1,8/2,0 |
| 2   | 039 199 231    | engine mounting                               |        | 2   | 914-1,7/1,8V<br>914-1,8/2,0 |
| 3   | 022 199 291    | bracket                                       |        | 1   | 914-4                       |
| 4   | N 014 329 1    | hexagon-head bolt<br>M 8 X 20<br>self-locking |        | 4   |                             |
| 5   | N 011 008 8    | hexagon nut<br>M 8                            |        | 2   | 914-1,7/1,8V<br>914-1,8/2,0 |
| 6   | N 012 228 3    | spring washer<br>B 8                          |        | 2   | 914-1,7/1,8V<br>914-1,8/2,0 |
| 7   | 311 101 463    | hexagon nut<br>M 8                            |        | 2   | 914-1,7/1,8V<br>914-1,8/2,0 |
| 8   | 914 375 173 01 | engine carrier                                |        | 1   | 914-4                       |
| 9   | 914 375 161 05 | engine carrier                                |        | 1   | 914-1,7/1,8V<br>914-1,8/2,0 |
| 10  | 914 375 035 00 | engine mounting                               |        | 2   | 914-4                       |
| 11  | 914 375 181 00 | base  |        | 2   | 914-1,7/1,8V<br>914-1,8/2,0 |
| 12  | 900 074 138 01 | hexagon-head bolt<br>M 10 X 70                |        | 2   | 914-4                       |
| 13  | 900 027 016 02 | lock ring<br>B 10                             |        | 2   | 914-4                       |
| 14  | 914 375 058 00 | base<br>upper                                 |        | 2   | 914-4                       |
| 15  | 914 375 241 00 | base<br>lower                                 |        | 2   | 914-4                       |
| 16  | N 014 736 1    | pan-head screw<br>M 10 X 90                   |        | 2   | 914-4                       |
| 17  | N 010 472 4    | hexagon-head bolt<br>M 10 X 85                |        | 2   | 914-1,7/1,8V<br>914-1,8/2,0 |
| 18  | 900 025 008 02 | washer<br>10,5                                |        | 2   |                             |

|       |      |    |    |              |              |     |              |            |         |     |         |
|-------|------|----|----|--------------|--------------|-----|--------------|------------|---------|-----|---------|
| Model | Year | MG | SG | Illustration | Restrictions | UPD | 18:12        | 30.01.2010 | PORSCHE | PET | PORSCHE |
| 914   | 1976 | 1  | 19 | 119-00       |              | 248 | USA / CANADA |            |         |     |         |

| Pos | Part Number    | Description                   | Remark | Qty | Model                       | Pos | Part Number | Description | Remark | Qty | Model |
|-----|----------------|-------------------------------|--------|-----|-----------------------------|-----|-------------|-------------|--------|-----|-------|
| 19  | N 021 195 1    | nut<br>M 10<br>self-locking   |        | 2   |                             |     |             |             |        |     |       |
| 20  | 900 075 085 02 | hexagon-head bolt<br>M 8 X 20 |        | 4   |                             |     |             |             |        |     |       |
| 21  | 900 025 007 02 | washer<br>8,4                 |        | 4   | 914-4                       |     |             |             |        |     |       |
| 22  | 914 375 162 00 | washer                        |        | 4   | 914-1,7/1,8V<br>914-1,8/2,0 |     |             |             |        |     |       |
| 23  | 900 910 022 02 | hexagon nut                   |        | 4   |                             |     |             |             |        |     |       |

|       |      |    |    |              |              |     |              |            |
|-------|------|----|----|--------------|--------------|-----|--------------|------------|
| Model | Year | MG | SG | Illustration | Restrictions | UPD | 18:12        | 30.01.2010 |
| 914   | 1976 | 1  | 98 | 198-00R      |              | 248 | USA / CANADA |            |

| Pos | Part Number      | Description  | Remark | Qty | Model |
|-----|------------------|--|--------|-----|-------|
| >>  | >>901 100 902 03 | gasket set<br>repair kits<br><br>1 set<br>engine<br>gaskets<br>comprising: |        | 1   | 914-6 |
| -   | 999 704 172 50   | sealing ring   |        | 5   |       |
| -   | 999 701 006 40   | o-ring   |        | 24  |       |
| -   | 999 113 057 52   | radial sealing ring<br>65 X 85 X 10  |        | 1   |       |
| -   | 999 113 049 52   | radial sealing ring<br>30 X 50 X 10  |        | 1   |       |
| -   | 900 174 041 40   | sealing ring<br>A 50 X 4   |        | 1   |       |
| -   | 930 101 391 01   | gasket<br>for<br>oil strainer  |        | 2   |       |
| -   | 900 123 011 30   | sealing ring<br>A 22 X 27  |        | 4   |       |
| -   | 901 104 191 00   | gasket   |        | 6   |       |
| -   | 901 104 391 01   | cylinder head gasket   |        | 6   |       |
| -   | 911 104 193 03   | valve stem seal<br>valve   |        | 12  |       |
| -   | 930 105 193 00   | gasket<br>crankcase<br>and<br>chain case                                   |        | 2   |       |
| -   | 930 105 197 05   | gasket   |        | 2   |       |
| -   | 999 701 124 40   | o-ring<br>67,5 X 75,5 X 4  |        | 2   |       |
| -   | 930 105 191 03   | gasket<br>for<br>chain case  | /L     | 1   |       |
| -   | 930 105 192 01   | gasket<br>for<br>chain case  | /R     | 1   |       |
| -   | 930 105 194 00   | gasket<br>for<br>camshaft housing<br>upper                                 |        | 2   |       |

PORSCHE

PET

PORSCHE

|       |      |    |    |              |              |     |              |            |
|-------|------|----|----|--------------|--------------|-----|--------------|------------|
| Model | Year | MG | SG | Illustration | Restrictions | UPD | 18:12        | 30.01.2010 |
| 914   | 1976 | 1  | 98 | 198-00R      |              | 248 | USA / CANADA |            |

| Pos | Part Number    | Description                                       | Remark | Qty | Model |
|-----|----------------|---|--------|-----|-------|
| -   | 930 105 195 00 | gasket<br>for<br>camshaft housing<br>lower        |        | 2   |       |
| -   | 900 031 014 30 | washer<br>8,4<br>for<br>camshaft housing<br>lower |        | 11  |       |
| -   | 930 105 198 01 | gasket<br>for<br>cover                            |        | 1   |       |
| -   | 900 123 008 30 | sealing ring<br>A 14 X 20                         |        | 1   |       |
| -   | 900 123 005 00 | sealing ring<br>A 12 X 16                         |        | 12  |       |
| -   | 900 123 044 30 | sealing ring<br>A 18 X 22                         |        | 2   |       |
| -   | 900 123 066 30 | sealing ring<br>A 10 X 16                         |        | 8   |       |
| -   | 999 701 598 40 | o-ring<br>8,3 X 2,4                               |        | 2   |       |
| -   | 999 701 596 40 | o-ring<br>20,3 X 2,4                              |        | 2   |       |
| -   | N 013 804 2    | sealing ring<br>A 6 X 10                          |        | 2   |       |
| -   | 999 704 173 50 | sealing ring<br>26 X 19,5 X 8,5                   |        | 2   |       |
| -   | 999 701 100 50 | o-ring  |        | 1   |       |
| -   | 900 123 071 30 | sealing ring<br>A 18 X 24                         |        | 2   |       |
| -   | 999 707 112 40 | round seal  |        | 8   |       |
| -   | 999 701 053 50 | sealing ring<br>39,2 X 3                          |        | 1   |       |
| -   | 905 107 191 02 | gasket  |        | 1   |       |
| -   | 999 701 135 50 | o-ring<br>15 X 2,5                                |        | 1   |       |
| -   | 930 107 791 00 | gasket<br>for<br>bleeder                          |        | 1   |       |
| -   | 900 123 043 30 | sealing ring<br>A 12 X 15,5                       |        | 3   |       |

|       |      |    |    |              |              |     |              |            |
|-------|------|----|----|--------------|--------------|-----|--------------|------------|
| Model | Year | MG | SG | Illustration | Restrictions | UPD | 18:12        | 30.01.2010 |
| 914   | 1976 | 1  | 98 | 198-00R      |              | 248 | USA / CANADA |            |

| Pos | Part Number      | Description  | Remark | Qty | Model |
|-----|------------------|--|--------|-----|-------|
| -   | 901 108 391 04   | gasket<br>for<br>intake manifold                                     |        | 6   |       |
| -   | 901 108 218 00   | gasket<br>for<br>connecting piece                                    |        | 2   |       |
| -   | 901 108 398 01   | gasket<br>without asbestos<br>for<br>carburettor                     |        | 6   |       |
| -   | 901 111 193 00   | gasket<br>for<br>exhaust silencer                                    |        | 2   |       |
| -   | 901 111 191 01   | gasket<br>for<br>heat exchanger                                      |        | 6   |       |
| -   | 900 123 008 30   | sealing ring<br>A 14 X 20<br>for<br>screw socket                     |        | 2   |       |
| -   | 999 701 101 50   | sealing ring<br>for<br>distributor                                   |        | 1   |       |
| -   | 900 123 007 30   | sealing ring<br>A 14 X 18  |        | 1   |       |
| -   | PCG 100 914 00   | sealing ring   |        | 4   |       |
| -   | 901 100 915 00   | sealing ring   |        | 4   |       |
| -   | 901 100 937 00   | sealing ring   |        | 2   |       |
| -   | 901 100 916 00   | sealing ring   |        | 4   |       |
| -   | 901 100 917 00   | sealing ring   |        | 4   |       |
| -   | 901 100 946 00   | diaphragm  |        | 2   |       |
| -   | 901 100 977 00   | sealing ring   |        | 6   |       |
| -   | 901 100 918 00   | sealing ring   |        | 4   |       |
| -   | 901 100 919 00   | sealing ring   |        | 6   |       |
| -   | 901 100 990 00   | sealing ring   |        | 4   |       |
| >>  | >>911 105 901 01 | repair kit<br>for<br>chain adjuster<br>901.105.049.02<br>comprising: |        | 1   | 914-6 |
|     |                  |  |        | 1   |       |
| -   | 930 105 585 00   | intermediate piece   |        | 1   |       |

|       |      |    |    |              |              |     |              |            |
|-------|------|----|----|--------------|--------------|-----|--------------|------------|
| Model | Year | MG | SG | Illustration | Restrictions | UPD | 18:12        | 30.01.2010 |
| 914   | 1976 | 1  | 98 | 198-00R      |              | 248 | USA / CANADA |            |

| Pos | Part Number    | Description  | Remark | Qty | Model                             |
|-----|----------------|--|--------|-----|-----------------------------------|
| -   | 999 701 298 40 | o-ring<br>OR 10 - 1  |        | 1   |                                   |
| -   | 930 105 511 03 | needle cage<br>for<br>ball<br>valve  |        | 1   |                                   |
| -   | N 025 658 1    | ball   |        | 1   |                                   |
| -   | 900 152 005 00 | circlip<br>16  |        | 1   |                                   |
| -   | 999 701 598 40 | o-ring<br>CR 8,3 - 2,4   |        | 1   |                                   |
| -   | 999 701 596 40 | o-ring<br>CR 20,3 - 2,4  |        | 1   |                                   |
| -   | 900 152 017 00 | circlip<br>28  |        | 1   |                                   |
| -   | N 013 804 2    | sealing ring<br>A 6 X 10   |        | 1   |                                   |
| >>  | >>039 198 009  | 1 set<br>engine<br>gaskets<br>use also:<br>021.105.245 C<br>021.105.247 A<br>comprising: |        | 1   | 914<br><br>914-4/1,7<br>914-4/1,7 |
| -   | 021 101 173    | sealing ring<br>for<br>oil tube  |        | 1   |                                   |
| -   | 021 101 189    | sealing ring<br>for<br>hexagon-head bolt   |        | 1   |                                   |
| -   | 021 101 269 A  | sealing ring<br>for<br>lid<br>oil pan  |        | 1   |                                   |
| -   | 021 101 341 A  | sealing ring<br>100 X 109<br>for<br>crankcase<br>and<br>cylinder                         |        | 4   |                                   |
| -   | 021 101 343    | sealing ring<br>90 X 99<br>for<br>cylinder<br>and<br>cylinder head                       |        | 4   |                                   |

PORSCHE

PET

PORSCHE

|       |      |    |    |              |              |     |              |            |
|-------|------|----|----|--------------|--------------|-----|--------------|------------|
| Model | Year | MG | SG | Illustration | Restrictions | UPD | 18:12        | 30.01.2010 |
| 914   | 1976 | 1  | 98 | 198-00R      |              | 248 | USA / CANADA |            |

| Pos | Part Number    | Description  | Remark | Qty | Model |
|-----|----------------|--|--------|-----|-------|
| -   | 021 105 275    | washer   |        | 1   |       |
| -   | 021 105 279    | sealing ring<br>for<br>flywheel  |        | 1   |       |
| -   | 021 109 345 A  | sealing ring<br>\$ 21,3 MM<br>for<br>protective tube<br>valve pushrod<br>black |        | 8   |       |
| -   | 021 109 349    | sealing ring<br>\$ 23,5 MM<br>for<br>protective tube<br>valve pushrod<br>red   |        | 8   |       |
| -   | 021 109 349 B  | sealing ring<br>\$ 25,1 MM<br>for<br>protective tube<br>valve pushrod<br>green |        | 8   |       |
| -   | 025 115 111 A  | gasket<br>for<br>housing<br>oil pump   |        | 1   |       |
| -   | 021 115 133    | sealing ring<br>for<br>lid<br>oil pump   |        | 1   |       |
| -   | 021 198 031 B  | gasket<br>for<br>lid<br>oil strainer   |        | 2   |       |
| -   | 021 115 315    | gasket<br>for<br>connection piece<br>oil inlet                                 |        | X   |       |
| -   | PCG 115 311 00 | oil filler cover<br>for<br>connection piece<br>oil inlet                       |        | 1   |       |
| -   | 021 115 359 A  | gasket<br>for<br>intermediate flange   |        | 1   |       |
| -   | 021 115 487    | gasket<br>for<br>bleeder   |        | 1   |       |



PORSCHE

PET

PORSCHE

|       |      |    |    |              |              |     |              |            |
|-------|------|----|----|--------------|--------------|-----|--------------|------------|
| Model | Year | MG | SG | Illustration | Restrictions | UPD | 18:12        | 30.01.2010 |
| 914   | 1976 | 1  | 98 | 198-00R      |              | 248 | USA / CANADA |            |

| Pos | Part Number   | Description  | Remark | Qty | Model |
|-----|---------------|--|--------|-----|-------|
| -   | 021 117 151 A | sealing ring<br>for<br>oil cooler  |        | 2   |       |
| -   | 021 119 125 A | sealing ring   |        | 1   |       |
| -   | 021 127 311 A | gasket<br>for<br>intermediate flange   |        | 1   |       |
| -   | 021 129 707 A | gasket<br>for<br>intake connection   |        | X   |       |
| -   | 022 129 707 C | gasket<br>for<br>intake manifold   |        | 2   |       |
| -   | 025 251 261   | gasket<br>for<br>heat exchanger<br>and<br>exhaust silencer                       |        | 2   |       |
| -   | 021 256 251 A | sealing ring<br>for<br>heat exchanger  |        | 4   |       |
| -   | 111 905 261   | sealing ring<br>for<br>distributor   |        | 1   |       |
| -   | N 013 803 2   | sealing ring<br>A 6 X 10<br>for<br>mount<br>lid<br>oil pan                       |        | 2   |       |
| -   | N 013 805 1   | sealing ring<br>C 12 X 18<br>for<br>drain plug<br>and<br>cap nut<br>oil strainer |        | 2   |       |
| -   | N 013 829 3   | sealing ring<br>C 22 X 29<br>for<br>relief valve                                 |        | 1   |       |
| -   | N 013 845 2   | sealing ring<br>C 16 X 22<br>for<br>relief valve                                 |        | 1   |       |

PORSCHE

PET

PORSCHE

|       |      |    |    |              |              |     |              |            |
|-------|------|----|----|--------------|--------------|-----|--------------|------------|
| Model | Year | MG | SG | Illustration | Restrictions | UPD | 18:12        | 30.01.2010 |
| 914   | 1976 | 1  | 98 | 198-00R      |              | 248 | USA / CANADA |            |

| Pos | Part Number     | Description   | Remark | Qty | Model     |
|-----|-----------------|---|--------|-----|-----------|
| >>  | >>021 198 075 B | cylinder<br>\$ 90 MM<br>with<br>piston<br>ring<br>and<br>bolt<br>M EBO 000 001>><br>comprising: | (CAL)  | 1   | 914-1,7   |
| -   | > 021 101 301 A | cylinder  |        | 1   |           |
| -   | 021 198 075 B   | cylinder with piston  |        | 1   |           |
| -   | 021 107 351 B   | piston ring<br>upper  |        | 1   |           |
| -   | 021 107 361     | piston ring<br>lower<br>oil scraper ring  |        | 1   |           |
| -   | 021 107 371     | oil scraper ring  |        | 1   |           |
| -   | 021 107 411 A   | piston pin  |        | 1   |           |
| -   | N 012 301 1     | circlip<br>24   |        | 2   |           |
| >>  | >>022 198 075   | cylinder<br>\$ 90 MM<br>with<br>piston<br>ring<br>and<br>bolt<br>comprising:                    |        | 1   | 914-4/1,7 |
| -   | > 021 101 301 A | cylinder  |        | 1   |           |
| -   | 022 198 075     | cylinder with piston  |        | 1   |           |
| -   | 021 107 351 B   | piston ring<br>upper  |        | 1   |           |
| -   | 021 107 361     | piston ring<br>lower<br>oil scraper ring  |        | 1   |           |
| -   | 021 107 371     | oil scraper ring  |        | 1   |           |
| -   | 021 107 411 A   | piston pin  |        | 1   |           |
| -   | N 012 301 1     | circlip<br>24   |        | 2   |           |
| -   | 022 101 301 A   | cylinder  |        | 1   |           |
| -   | 021 107 111 M   | piston  |        | 1   |           |

|       |      |    |    |              |              |     |              |            |
|-------|------|----|----|--------------|--------------|-----|--------------|------------|
| Model | Year | MG | SG | Illustration | Restrictions | UPD | 18:12        | 30.01.2010 |
| 914   | 1976 | 1  | 98 | 198-00R      |              | 248 | USA / CANADA |            |

| Pos | Part Number     | Description  | Remark | Qty | Model   |
|-----|-----------------|--|--------|-----|---------|
| -   | 021 107 351 F   | piston ring<br>upper   |        | 1   |         |
| -   | 021 107 361 A   | piston ring<br>lower<br>oil scraper ring   |        | 1   |         |
| -   | 021 107 371 B   | oil scraper ring   |        | 1   |         |
| -   | 022 107 411 A   | piston pin   |        | 1   |         |
| -   | N 012 301 1     | circlip<br>24  |        | 2   |         |
| >>  | >>039 198 075   | cylinder<br>\$ 94 MM<br>with<br>piston<br>ring<br>and<br>bolt<br>for<br>TYP 914-2,0<br>comprising: |        | 1   | 914-2,0 |
| -   | 039 101 301 C   | cylinder   |        | 1   |         |
| -   | 039 107 111     | piston   |        | 1   |         |
| -   | 039 107 351 C   | piston ring<br>upper   |        | 1   |         |
| -   | 039 107 361 A   | piston ring<br>lower<br>oil scraper ring   |        | 1   |         |
| -   | 022 107 371 A   | oil scraper ring   |        | 1   |         |
| -   | 022 107 411 A   | piston pin   |        | 1   |         |
| -   | N 012 301 1     | circlip<br>24  |        | 2   |         |
| >>  | >>039 198 075 A | cylinder with piston<br>\$ 94 MM<br>with<br>ring<br>and<br>bolt<br>comprising:                     |        | 1   | 914-2,0 |
| -   | 039 101 301 C   | cylinder   |        | 1   |         |
| -   | 039 107 112     | piston   |        | 1   |         |
| -   | 039 107 351 C   | piston ring<br>upper   |        | 1   |         |
| -   | 039 107 361 A   | piston ring<br>lower   |        | 1   |         |

|       |      |    |    |              |              |     |              |            |
|-------|------|----|----|--------------|--------------|-----|--------------|------------|
| Model | Year | MG | SG | Illustration | Restrictions | UPD | 18:12        | 30.01.2010 |
| 914   | 1976 | 1  | 98 | 198-00R      |              | 248 | USA / CANADA |            |

| Pos | Part Number     | Description  | Remark | Qty | Model        |
|-----|-----------------|--|--------|-----|--------------|
| -   | 022 107 371 A   | oil scraper ring   |        | 1   |              |
| -   | 022 107 411 A   | piston pin   |        | 1   |              |
| -   | N 012 301 1     | circlip<br>24  |        | 2   |              |
| >>  | >>021 198 175   | set of piston rings<br>\$ 90 MM<br>comprising:               |        | 1   | 914-4/1,7    |
| -   | 021 107 351 B   | piston ring<br>upper   |        | 4   |              |
| -   | 021 107 361     | piston ring<br>lower<br>oil scraper ring                     |        | 4   |              |
| -   | 021 107 371     | oil scraper ring   |        | 4   |              |
| >>  | >>021 198 175 A | set of piston rings<br>\$ 93 MM<br>comprising:               |        | 1   | 914-1,8/1,8V |
| -   | 021 107 351 F   | piston ring<br>upper   |        | 4   |              |
| -   | 021 107 361 A   | piston ring<br>lower<br>oil scraper ring                     |        | 4   |              |
| -   | 021 107 371 B   | oil scraper ring   |        | 4   |              |
| >>  | >>021 198 177   | set of piston rings<br>\$ 90,5 MM<br>oversize<br>comprising: |        | 1   | 914-4/1,7    |
| -   | 021 107 355 B   | piston ring<br>upper   |        | 4   |              |
| -   | 021 107 365     | piston ring<br>lower<br>oil scraper ring                     |        | 4   |              |
| -   | 021 107 375     | oil scraper ring   |        | 4   |              |
| >>  | >>021 198 179   | set of piston rings<br>\$ 91 MM<br>oversize<br>comprising:   |        | 1   | 914-4/1,7    |
| -   | 021 107 359 B   | piston ring<br>upper   |        | 4   |              |
| -   | 021 107 369     | piston ring<br>lower<br>with                                 |        | 4   |              |
| -   | 021 107 379     | oil scraper ring   |        | 4   |              |

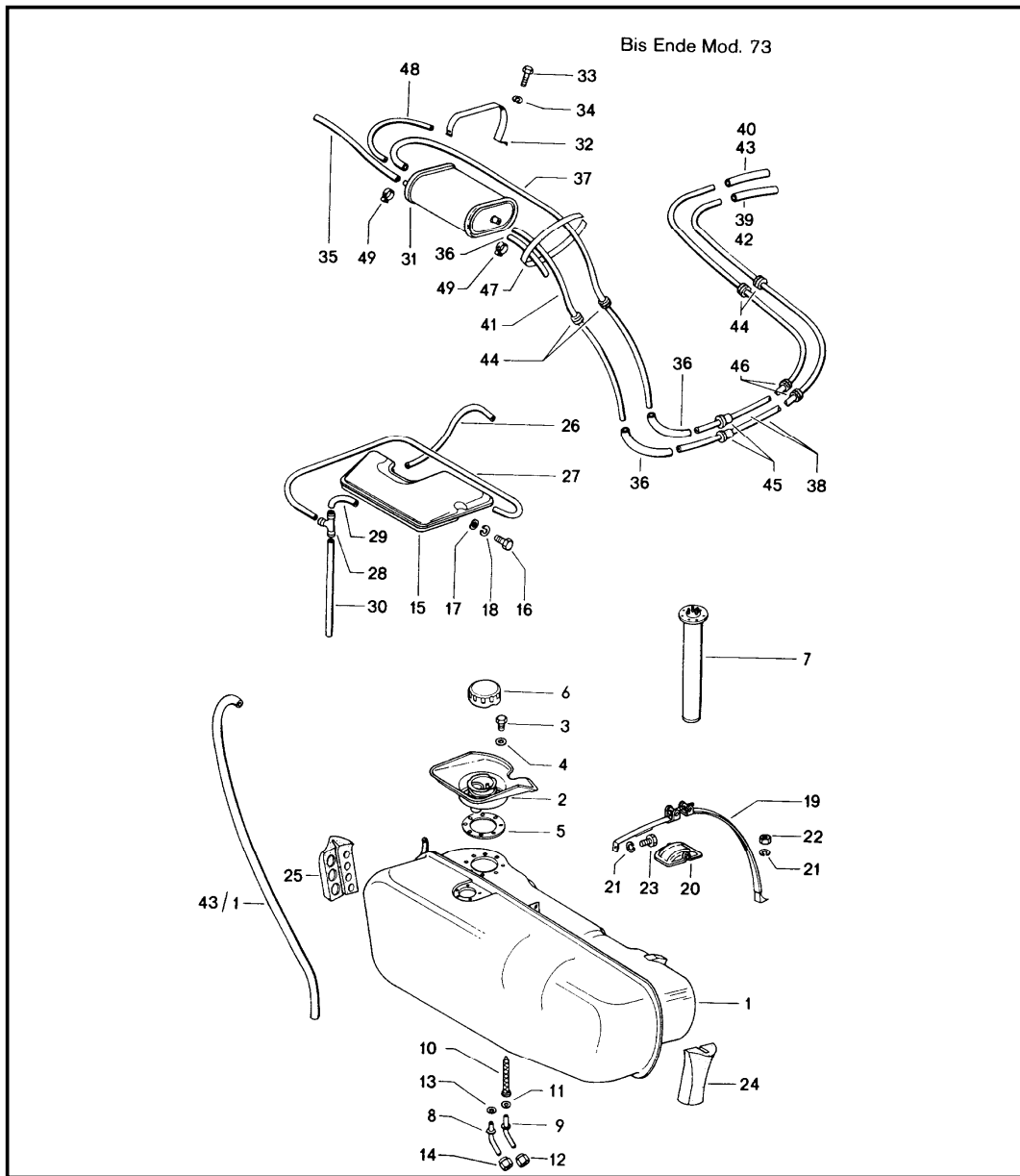
|       |      |    |    |              |              |     |              |            |
|-------|------|----|----|--------------|--------------|-----|--------------|------------|
| Model | Year | MG | SG | Illustration | Restrictions | UPD | 18:12        | 30.01.2010 |
| 914   | 1976 | 1  | 98 | 198-00R      |              | 248 | USA / CANADA |            |

| Pos | Part Number     | Description   | Remark | Qty | Model                                |
|-----|-----------------|---|--------|-----|--------------------------------------|
| >>  | >>021 198 481 A | set of crankshaft bearings<br>outer<br>\$ 70 MM<br>comprising:                      |        | 1   | 914-4/1,7<br>914-1,8/1,8V<br>914-2,0 |
| -   | 021 105 501 B   | crankshaft bearing<br>1   |        | 1   |                                      |
| -   | 021 105 531 E   | bearing shell<br>for<br>crankshaft bearing<br>2                                     |        | 2   |                                      |
| -   | 021 105 561 A   | crankshaft bearing<br>3   |        | 1   |                                      |
| -   | 021 105 591     | crankshaft bearing<br>4   |        | 1   |                                      |
| >>  | >>021 198 483 A | set of crankshaft bearings<br>undersize 0.25 mm<br>outer<br>\$ 70 MM<br>comprising: |        | 1   | 914-4/1,7<br>914-1,8/1,8V<br>914-2,0 |
| -   | 021 105 507 B   | crankshaft bearing<br>1   |        | 1   |                                      |
| -   | 021 105 537 E   | bearing shell<br>for<br>crankshaft bearing<br>2                                     |        | 2   |                                      |
| -   | 021 105 567 A   | crankshaft bearing<br>3   |        | 1   |                                      |
| -   | 021 105 597     | crankshaft bearing<br>4   |        | 1   |                                      |
| >>  | >>021 198 485 A | set of crankshaft bearings<br>undersize 0.50 mm<br>outer<br>\$ 70 MM<br>comprising: |        | 1   | 914-4/1,7<br>914-1,8/1,8V<br>914-2,0 |
| -   | 021 105 513 B   | crankshaft bearing<br>1   |        | 1   |                                      |
| -   | 021 105 543 E   | bearing shell<br>for<br>crankshaft bearing<br>2                                     |        | 2   |                                      |
| -   | 021 105 573 A   | crankshaft bearing<br>3   |        | 1   |                                      |
| -   | 021 105 603     | crankshaft bearing<br>4   |        | 1   |                                      |

|       |      |    |    |              |              |     |              |            |
|-------|------|----|----|--------------|--------------|-----|--------------|------------|
| Model | Year | MG | SG | Illustration | Restrictions | UPD | 18:12        | 30.01.2010 |
| 914   | 1976 | 1  | 98 | 198-00R      |              | 248 | USA / CANADA |            |

| Pos | Part Number     | Description  | Remark | Qty | Model                                |
|-----|-----------------|--|--------|-----|--------------------------------------|
| >>  | >>021 198 487 A | set of crankshaft bearings<br>undersize<br>0,75 MM<br>outer<br>\$ 70 MM<br>comprising: |        | 1   | 914-4/1,7<br>914-1,8/1,8V<br>914-2,0 |
| -   | 021 105 519 A   | crankshaft bearing<br>1  |        | 1   |                                      |
| -   | 021 105 549 E   | bearing shell<br>for<br>crankshaft bearing<br>2  |        | 2   |                                      |
| -   | 021 105 579 A   | crankshaft bearing<br>3  |        | 1   |                                      |
| -   | 021 105 609     | crankshaft bearing<br>4  |        | 1   |                                      |
| >>  | >>021 198 541   | camshaft bearing<br>1 set<br>outer<br>\$ 27,5 MM<br>comprising:                        |        | 1   | 914-4/1,7<br>914-1,8/1,8V<br>914-2,0 |
| -   | --- --- --- --- | bearing shell<br>for<br>camshaft bearing<br>1  |        | 2   |                                      |
| -   | --- --- --- --- | bearing shell<br>for<br>camshaft bearing<br>2  |        | 2   |                                      |
| -   | --- --- --- --- | bearing shell<br>for<br>camshaft bearing<br>3  | /L     | 1   |                                      |
| -   | --- --- --- --- | bearing shell<br>for<br>camshaft bearing<br>3  | /R     | 1   |                                      |

|       |      |    |    |              |              |     |              |            |         |     |         |
|-------|------|----|----|--------------|--------------|-----|--------------|------------|---------|-----|---------|
| Model | Year | MG | SG | Illustration | Restrictions | UPD | 18:12        | 30.01.2010 | PORSCHE | PET | PORSCHE |
| 914   | 1976 | 2  | 01 | 201-00       |              | 248 | USA / CANADA |            |         |     |         |



| Pos | Part Number    | Description   | Remark | Qty | Model |
|-----|----------------|---|--------|-----|-------|
|     |                |   | -73    |     |       |
| 1   | 914 201 010 10 | fuel tank<br>F<br>>>47329 24902                     |        | 1   |       |
| 2   | 914 201 019 10 | filler neck<br>complete<br>F<br>>>47329 24902       |        | 1   |       |
| 3   | N 010 207 6    | hexagon-head bolt<br>M 5 X 12<br>F<br>>>47329 24902 |        | 8   |       |
| 4   | 900 025 003 02 | washer<br>5,3<br>F<br>>>47329 24902                 |        | 8   |       |
| 5   | 914 201 893 10 | gasket<br>for<br>filler neck                        |        | 1   |       |
| 6   | 343 201 551    | lid<br>\$ 70 MM<br>F<br>>>47329 24902               |        | 1   |       |
| 7   | ---            | sender<br>electric<br>see group<br>9/03/05          |        | X   |       |
| 8   | 914 201 041 10 | pipe<br>for<br>return line                          |        | 1   |       |
| 9   | 914 201 043 10 | pipe  |        | 1   |       |
| 10  | 111 209 147 A  | strainer  |        | 1   |       |
| 11  | 914 201 147 10 | gasket  |        | 1   |       |
| 12  | 914 201 153 10 | union nut   |        | 1   |       |
| 13  | 311 201 235 A  | gasket  |        | 1   |       |
| 14  | 311 201 231 A  | union nut   |        | 1   |       |
| 15  | 914 201 055 10 | expansion tank<br>F<br>>>47329 24902                |        | 1   |       |
| 16  | 900 075 010 02 | hexagon-head bolt<br>M 6 X 12<br>F<br>>>47329 24902 |        | 2   |       |
| 17  | N 011 524 7    | washer<br>6,4<br>F<br>>>47329 24902                 |        | 2   |       |

|       |      |    |    |              |              |     |              |            |         |     |         |
|-------|------|----|----|--------------|--------------|-----|--------------|------------|---------|-----|---------|
| Model | Year | MG | SG | Illustration | Restrictions | UPD | 18:12        | 30.01.2010 | PORSCHE | PET | PORSCHE |
| 914   | 1976 | 2  | 01 | 201-00       |              | 248 | USA / CANADA |            |         |     |         |

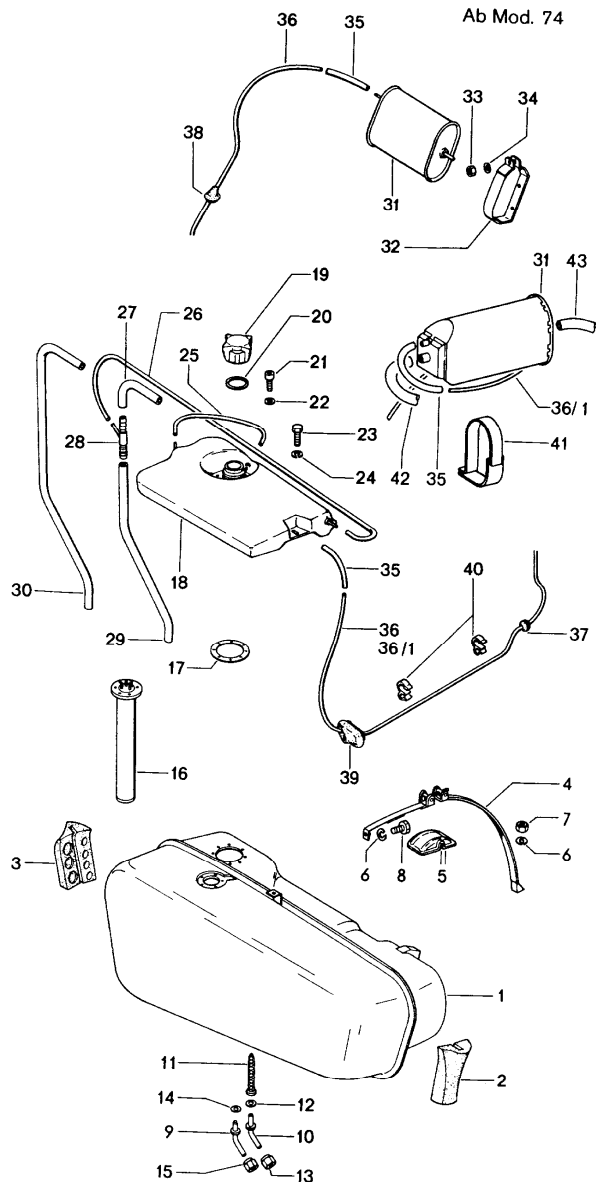
| Pos  | Part Number    | Description  | Remark | Qty | Model | Pos  | Part Number    | Description                                 | Remark | Qty | Model     |
|------|----------------|--|--------|-----|-------|------|----------------|---|--------|-----|-----------|
| 18   | 900 027 014 01 | lock ring<br>B 6<br>F >>47329 24902                    |        | 2   |       | 34   | 900 027 014 01 | lock ring<br>B 6                            |        | 1   |           |
| 19   | 914 201 031 10 | restraining strap                                      |        | 1   |       | -    | N 020 361 2    | hose<br>4 X 2,5                             |        | *   |           |
| -    | 914 201 308 10 | desk pad   |        | 3   |       | 35   | -              | 280 MM                                      |        | 1   |           |
| 20   | 914 201 305 10 | bridge   |        | 1   |       | -    | N 020 290 1    | hose<br>12 X 17                             |        | *   |           |
| 21   | 900 027 014 01 | lock ring<br>B 6                                       |        | 2   |       | 36   | -              | 200 MM                                      |        | 3   |           |
| 22   | 900 076 010 02 | hexagon nut<br>M 6                                     |        | 1   |       | 37   | 914 201 172 10 | hose<br>12,5 X 10 X 830<br>plastic material |        | 1   |           |
| 23   | 900 075 010 02 | hexagon-head bolt<br>M 6 X 12                          |        | 1   |       | 38   | 914 201 173 10 | hose<br>12,5 X 10 X 2180<br>hose            |        | 2   |           |
| 24   | 914 201 151 10 | rubber buffer  | /L     | 1   |       | -    | 999 180 106 50 | fuel hose<br>12 X 17                        |        | *   |           |
| 25   | 914 201 152 10 | rubber buffer  | /R     | 1   |       | 39   | -              | 700 MM                                      |        | 1   | 914-4/1,7 |
| -    | N 020 361 2    | hose<br>4 X 2,5  |        | *   |       | 39   | -              | 1100 MM                                     |        | 1   | 914-2,0   |
| 26   | -              | 290 MM   |        | 1   |       | 40   | -              | 1400 MM                                     |        | 1   | 914-6     |
| 27   | -              | 540 MM<br>not for<br>tank ventilation                  |        | 1   |       | 41   | 914 201 175 10 | hose<br>12,5 X 10 X 530<br>hose             |        | 1   |           |
| 28   | 914 201 163 10 | intermediate piece<br>not for<br>tank ventilation      |        | 1   |       | -    | 999 180 106 50 | fuel hose<br>12 X 17                        |        | *   |           |
| -    | 999 181 145 40 | hose<br>15 X 19 PVC 720<br>not for<br>tank ventilation |        | *   |       | 42   | -              | 1300 MM                                     |        | 1   | 914-6     |
| 29   | -              | 140 MM   |        | 1   |       | 43   | -              | 540 MM                                      |        | 1   | 914-4/1,7 |
| 30   | -              | 560 MM   |        | 1   |       | 43   | -              | 670 MM                                      |        | 1   | 914-2,0   |
| 1-49 | ---            | tank ventilation<br>with<br>carbon canister            |        | X   |       | -    | 999 181 145 40 | hose<br>15 X 19 PVC 720                     |        | *   |           |
| 31   | 113 201 801 A  | carbon canister  |        | 1   |       | 43/1 | -              | 880 MM                                      |        | 1   |           |
| 32   | 914 201 061 10 | restraining strap<br>for<br>carbon canister            | -74    | 1   |       | 44   | 999 702 094 50 | grommet                                     |        | 4   |           |
| 33   | N 010 215 13   | hexagon-head bolt<br>M 6 X 15                          |        | 1   |       | 45   | 999 702 095 50 | grommet                                     |        | 2   |           |
|      |                |  |        |     |       | 46   | 999 702 029 50 | grommet                                     |        | 4   |           |
|      |                |  |        |     |       | 47   | N 020 902 1    | tie-wrap                                    |        | 3   |           |
|      |                |  |        |     |       | -    | 999 180 106 50 | fuel hose                                   |        | *   |           |



|       |      |    |    |              |              |     |              |            |         |     |         |
|-------|------|----|----|--------------|--------------|-----|--------------|------------|---------|-----|---------|
| Model | Year | MG | SG | Illustration | Restrictions | UPD | 18:12        | 30.01.2010 | PORSCHE | PET | PORSCHE |
| 914   | 1976 | 2  | 01 | 201-00       |              | 248 | USA / CANADA |            |         |     |         |

| Pos | Part Number    | Description | Remark | Qty | Model | Pos | Part Number | Description | Remark | Qty | Model |
|-----|----------------|-------------|--------|-----|-------|-----|-------------|-------------|--------|-----|-------|
| 48  | -              | 430 MM      |        | 1   |       |     |             |             |        |     |       |
| 49  | 999 512 056 02 | hose clamp  |        | 2   |       |     |             |             |        |     |       |

|       |      |    |    |              |              |     |              |            |         |     |         |
|-------|------|----|----|--------------|--------------|-----|--------------|------------|---------|-----|---------|
| Model | Year | MG | SG | Illustration | Restrictions | UPD | 18:12        | 30.01.2010 | PORSCHE | PET | PORSCHE |
| 914   | 1976 | 2  | 01 | 201-05       |              | 248 | USA / CANADA |            |         |     |         |



| Pos | Part Number    | Description                   | Remark | Qty | Model                             |
|-----|----------------|-------------------------------|--------|-----|-----------------------------------|
|     |                | fuel tank                     | 74-    |     |                                   |
| 1   | 914 201 010 12 | fuel tank<br>F 47329 24903>>  |        | 1   | 914-1,8V/1,8<br>914-2,0           |
| 2   | 914 201 151 10 | rubber buffer                 | /L     | 1   | 914-1,8V/1,8<br>914,2,0           |
| 3   | 914 201 152 10 | rubber buffer                 | /R     | 1   | 914-1,8V/1,8<br>914-2,0           |
| 4   | 914 201 031 10 | restraining strap             |        | 1   | 914-1,8V/1,8<br>914-2,0           |
| -   | 914 201 308 10 | desk pad                      |        | 3   | 914-1,8V/1,8<br>914-2,0           |
| 5   | 914 201 305 10 | bridge                        |        | 1   | 914-1,8V/1,8<br>914-2,0           |
| 6   | 900 027 014 01 | lock ring<br>B 6              |        | 2   | 914-1,8V/1,8<br>914-2,0           |
| 7   | 900 076 010 02 | hexagon nut<br>M 6            |        | 1   | 914-1,8V/1,8<br>914-2,0           |
| 8   | 900 075 010 02 | hexagon-head bolt<br>M 6 X 12 |        | 1   | 914-1,8V/1,8<br>914-2,0           |
| 9   | 914 201 041 10 | pipe<br>for<br>return line    |        | 1   | 914-6<br>914-4/1,7<br>914-1,8/2,0 |
| 10  | 914 201 043 10 | pipe                          |        | 1   | 914-6<br>914-4/1,7<br>914-1,8/2,0 |
| 11  | 111 209 147 A  | strainer                      | -74    | 1   |                                   |
| 11  | 113 209 147    | strainer                      | 75-    | 1   | 914-1,8V/1,8<br>914-2,0           |
| 12  | 914 201 147 10 | gasket                        |        | 1   | 914-6<br>914-4/1,7<br>914-1,8/2,0 |
| 13  | 914 201 153 10 | union nut                     |        | 1   | 914-6<br>914-4/1,7<br>914-1,8/2,0 |
| 14  | 311 201 235 A  | gasket                        |        | 1   |                                   |
| 15  | 311 201 231 A  | union nut                     |        | 1   | 914-6<br>914-4/1,7<br>914-1,8/2,0 |

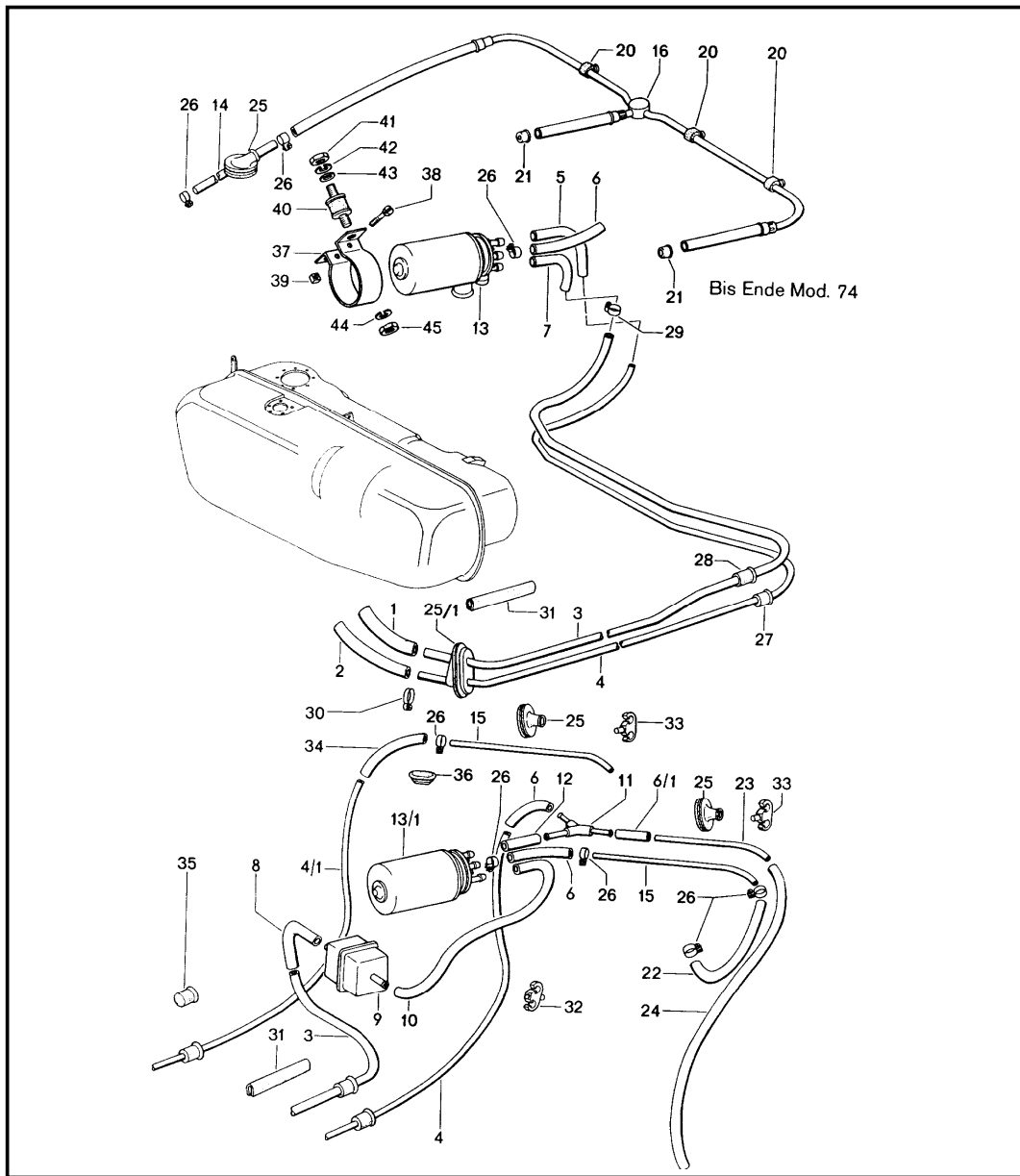
|       |      |    |    |              |              |     |              |            |         |     |         |
|-------|------|----|----|--------------|--------------|-----|--------------|------------|---------|-----|---------|
| Model | Year | MG | SG | Illustration | Restrictions | UPD | 18:12        | 30.01.2010 | PORSCHE | PET | PORSCHE |
| 914   | 1976 | 2  | 01 | 201-05       |              | 248 | USA / CANADA |            |         |     |         |

| Pos  | Part Number    | Description   | Remark | Qty | Model                   | Pos  | Part Number    | Description  | Remark | Qty | Model                   |
|------|----------------|---|--------|-----|-------------------------|------|----------------|--|--------|-----|-------------------------|
| -    | 914 201 213 10 | washer  | 74-    | 2   | 914-1,8V/2,0            | 25   | -              | 290 MM   |        | 1   | 914-1,8V/1,8<br>914-2,0 |
| 16   | --- --- --- -- | sender<br>electric<br>see group<br>9/03/05              |        | X   |                         | 26   | -              | 540 MM<br>not for<br>tank ventilation                  |        | 1   | 914-1,8V/2,0            |
| 17   | 914 201 893 10 | gasket<br>for<br>filler neck                            |        | 1   |                         | -    | 999 181 145 40 | hose<br>15 X 19 PVC 720<br>not for<br>tank ventilation |        | *   |                         |
| 18   | 914 201 083 10 | expansion tank<br>F 47329 24903>>                       |        | 1   | 914-1,8V/1,8<br>914-2,0 | 27   | -              | 140 MM   |        | 1   | 914-1,8V/2,0            |
| 18   | 914 201 083 10 | expansion tank  | 74-    | 1   | 914-1,8/2,0<br>(CAL)    | 28   | 914 201 163 10 | intermediate piece<br>not for<br>tank ventilation      |        | 1   | 914-1,8V/2,0            |
| (18) | 914 201 083 11 | expansion tank  | 75-    | 1   | 914-1,8/2,0<br>(CAL)    | -    | 999 181 145 40 | hose<br>15 X 19 PVC 720<br>not for<br>tank ventilation |        | *   |                         |
| 19   | 914 201 207 10 | lid<br>F 47329 24903>>                                  |        | 1   | 914-1,8V/1,8<br>914-2,0 | 29   | -              | 560 MM   |        | 1   | 914-1,8V/2,0            |
| -    | 914 201 319 10 | ring  | 75-    | 1   | 914-1,8V/1,8<br>914-2,0 | -    | 999 181 145 40 | hose<br>15 X 19 PVC 720                                |        | *   |                         |
| 20   | 914 201 227 10 | gasket<br>F 47329 24903>>                               |        | 1   | 914-1,8V/1,8<br>914-2,0 | 30   | -              | 880 MM   |        | 1   | 914-1,8/2,0             |
| 21   | N 014 741 1    | hexagon socket head bolt<br>M 5 X 15<br>F 47329 24903>> | -74    | 8   | 914-1,8V/1,8<br>914-2,0 | 31   | 171 201 801    | carbon canister  |        | 1   | 914-1,8/2,0             |
| (21) | N 010 296 2    | hexagon-head bolt<br>M 5 X 18                           | 75-    | 8   | 914-1,8V/1,8<br>914-2,0 | 32   | 113 809 169    | support<br>with<br>restraining strap                   | 74-    | 1   | 914-1,8/2,0             |
| 22   | 900 025 003 02 | washer<br>5,3<br>F 47329 24903>>                        |        | 8   | 914-1,8V/1,8<br>914-2,0 | 33   | 900 076 010 02 | hexagon nut<br>M 6                                     | 74-    | 1   | 914-1,8/2,0             |
| 23   | 900 075 057 02 | hexagon-head bolt<br>M 6 X 16<br>F 47329 24903>>        |        | 1   | 914-1,8V/1,8<br>914-2,0 | 34   | N 012 006 4    | lock ring<br>B 6                                       | 74-    | 1   | 914-1,8/2,0             |
| 24   | 900 027 014 01 | lock ring<br>B 6<br>F 47329 24903>>                     | -74    | 1   | 914-1,8V/1,8<br>914-2,0 | -    | N 020 361 2    | hose<br>4 X 2,5  |        | *   |                         |
| (24) | 900 151 029 02 | washer<br>6,4   | 75-    | 1   | 914-1,8V/1,8<br>914-2,0 | 35   | -              | 280 MM   |        | 2   | 914-1,8/2,0             |
| -    | N 020 361 2    | hose<br>4 X 2,5   |        | *   |                         | -    | 999 181 308 40 | breather hose<br>5 X 3,15                              | 74-    | *   |                         |
|      |                |   |        |     |                         | 36   | -              | 3550 MM  |        | 1   | 914-1,8/2,0             |
|      |                |   |        |     |                         | -    | 999 181 317 40 | breather hose<br>5 X 3,15                              | 75-    | *   |                         |
|      |                |   |        |     |                         | 36/1 | -              | 3250 MM  |        | 1   | 914-1,8/2,0             |

|       |      |    |    |              |              |     |              |            |         |     |         |
|-------|------|----|----|--------------|--------------|-----|--------------|------------|---------|-----|---------|
| Model | Year | MG | SG | Illustration | Restrictions | UPD | 18:12        | 30.01.2010 | PORSCHE | PET | PORSCHE |
| 914   | 1976 | 2  | 01 | 201-05       |              | 248 | USA / CANADA |            |         |     |         |

| Pos | Part Number    | Description           | Remark | Qty | Model       | Pos | Part Number | Description | Remark | Qty | Model |
|-----|----------------|-----------------------|--------|-----|-------------|-----|-------------|-------------|--------|-----|-------|
| 37  | 311 611 753    | grommet               | 74-    | 1   | 914-1,8/2,0 |     |             |             |        |     |       |
| 38  | 823 823 591    | grommet               | 74-    | 1   | 914-1,8/2,0 |     |             |             |        |     |       |
| 39  | 914 356 543 00 | rubber sleeve         | 74-    | 1   | 914-1,8/2,0 |     |             |             |        |     |       |
| 40  | 999 591 378 40 | cable clip            | 74-    | 2   | 914-1,8/2,0 |     |             |             |        |     |       |
| 41  | 914 201 095 10 | restraining strap     | 75-    | 1   | 914-1,8/2,0 |     |             |             |        |     |       |
| -   | 999 180 106 50 | fuel hose<br>12 X 2,5 | 75-    | *   |             |     |             |             |        |     |       |
| 42  | -              | 430 MM                |        | 1   | 914-1,8/2,0 |     |             |             |        |     |       |
| 43  | -              | 935 MM                |        | 1   | 914-1,8/2,0 |     |             |             |        |     |       |

|       |      |    |    |              |              |     |              |            |         |     |         |
|-------|------|----|----|--------------|--------------|-----|--------------|------------|---------|-----|---------|
| Model | Year | MG | SG | Illustration | Restrictions | UPD | 18:12        | 30.01.2010 | PORSCHE | PET | PORSCHE |
| 914   | 1976 | 2  | 01 | 201-10       |              | 248 | USA / CANADA |            |         |     |         |



| Pos | Part Number    | Description                        | Remark | Qty | Model                             |
|-----|----------------|------------------------------------|--------|-----|-----------------------------------|
| -   | N 020 359 1    | fuel line<br>hose<br>C 9 X 15      | -74    | *   |                                   |
| 1   | -              | intake pipe<br>390 MM              |        | 1   |                                   |
| -   | 999 180 030 50 | fuel hose<br>C 7 X 12              |        | *   |                                   |
| 2   | -              | return line<br>440 MM              |        | 1   |                                   |
| 3   | 914 356 524 02 | fuel line<br>centre<br>intake pipe | -71    | 1   | 914-4                             |
| 3   | 914 356 062 01 | fuel line<br>centre<br>intake pipe | 72-    | 1   | 914-6<br>914-4/1,7<br>914-1,8/2,0 |
| (3) | 914 356 530 01 | fuel line<br>centre<br>intake pipe | -71    | 1   | 914-6                             |
| 4   | 914 356 513 00 | fuel line<br>centre<br>return line | -71    | 1   | 914-6<br>914-4                    |
| 4   | 914 356 063 00 | fuel line<br>centre<br>return line | 72-    | 1   | 914-6<br>914-4/1,7<br>914-1,8/2,0 |
| 4/1 | 914 356 063 00 | fuel line<br>centre<br>intake pipe |        | 1   | 914-1,8V                          |
| -   | 999 180 030 50 | fuel hose<br>C 7 X 12              | 72-    | *   |                                   |
| 5   | -              | 130 MM                             |        | 1   | 914-6                             |
| 6   | -              | 65 MM                              |        | 1   | 914-6                             |
| 6   | -              | 65 MM                              | -71    | 3   | 914-4                             |
| 6   | -              | 65 MM                              | 72-    | 2   | 914-1,7/2,0                       |
| 6   | -              | 80 MM                              | 74-    | 1   | 914-1,7/1,8<br>914-2,0            |
| 6/1 | -              | 150 MM                             |        | 1   | 914-4/1,7<br>914-1,8/2,0          |
| -   | N 020 359 1    | hose<br>C 9 X 15                   |        | *   |                                   |

|       |      |    |    |              |              |     |              |            |         |     |         |
|-------|------|----|----|--------------|--------------|-----|--------------|------------|---------|-----|---------|
| Model | Year | MG | SG | Illustration | Restrictions | UPD | 18:12        | 30.01.2010 | PORSCHE | PET | PORSCHE |
| 914   | 1976 | 2  | 01 | 201-10       |              | 248 | USA / CANADA |            |         |     |         |

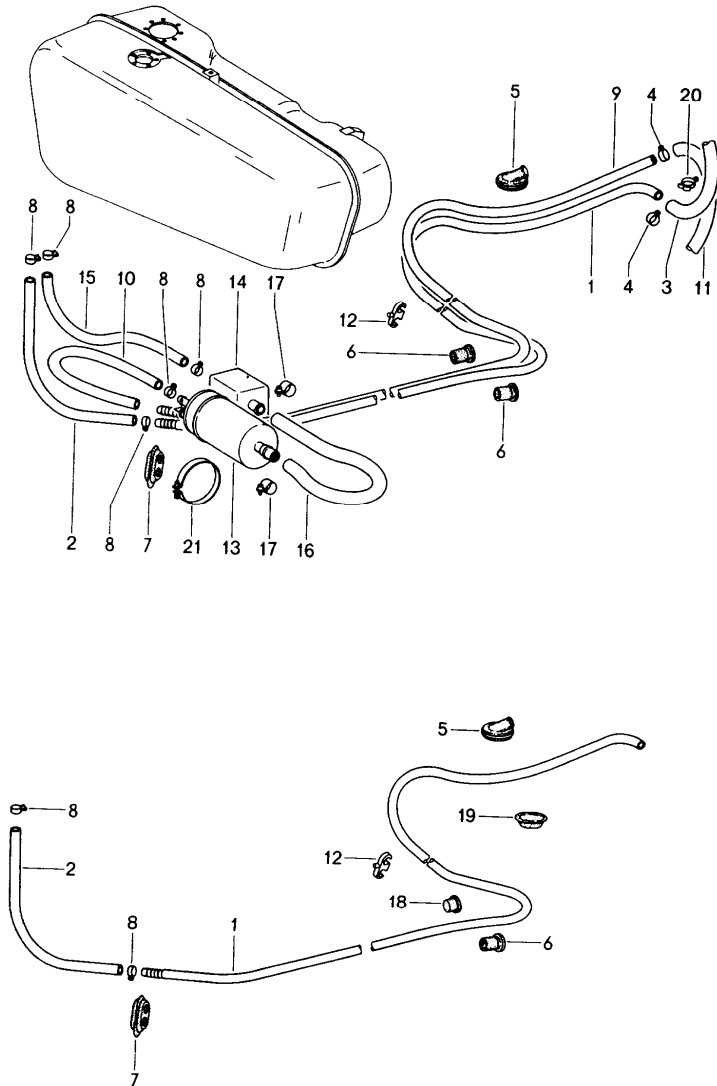
| Pos  | Part Number      | Description                          | Remark | Qty | Model                       | Pos  | Part Number    | Description  | Remark | Qty | Model                    |
|------|------------------|--------------------------------------|--------|-----|-----------------------------|------|----------------|--|--------|-----|--------------------------|
| 7    | -                | 120 MM                               | -71    | 1   | 914-6                       | 21   | 901 108 219 00 | cap  |        | 2   | 914-6                    |
| 7    | -                | 160 MM                               | 72-    | 1   | 914-6                       | -    | 999 180 030 50 | fuel hose<br>C 7 X 12                              |        | *   |                          |
| 8    | 914 356 525 00   | moulded hose<br>intake pipe          |        | 1   | 914-4/1,7<br>914-1,8/2,0    | 22   | -              | 210 MM   |        | 1   | 914-4/1,7<br>914-1,8/2,0 |
| 9    | 311 133 511 D    | fuel filter                          |        | 1   | 914-4/1,7<br>914-1,8/2,0    | 23   | 914 356 528 00 | fuel line<br>return line                           | /H     | -71 | 914-4                    |
| -    | 999 180 030 50   | fuel hose<br>C 7 X 12                | 72-    | *   |                             | 23   | 914 356 528 01 | fuel line<br>return line                           | /H     | 72- | 914-4/1,7<br>914-1,8/2,0 |
| 10   | -                | 440 MM                               | -71    | 1   | 914-4                       | -    | 999 180 030 50 | fuel hose<br>C 7 X 12                              |        | *   |                          |
| 10   | -                | 300 MM                               |        | 1   | 914-4/1,7<br>914-1,8/2,0    |      |                | return line  |        |     |                          |
| 11   | 901 356 461 00   | hose connection                      | -73    | 1   | 914-4/1,7<br>914-2,0        | 24   | -              | 820 MM   |        | 1   | 914-4/1,7<br>914-1,8/2,0 |
| (11) | 022 133 525 A    | branch piece                         | 74-    | 1   | 914-1,8/2,0                 | 25   | 111 957 861    | rubber sleeve                                      |        | 1   | 914-6/1,8V               |
| -    | 999 180 030 50   | fuel hose<br>C 7 X 12<br>return line |        | *   |                             | 25   | 111 957 861    | rubber sleeve                                      |        | 2   | 914-4/1,7<br>914-1,8/2,0 |
| 12   | -                | 40 MM                                | -71    | 1   | 914-4                       | 25/1 | 914 356 543 00 | rubber sleeve                                      |        | 1   |                          |
| 12   | -                | 35 MM                                | 72-    | 1   | 914-4/1,7<br>914-1,8/2,0    | 26   | 999 512 055 02 | hose clamp<br>S 12/9 ZY                            |        | 3   | 914-6                    |
| 13   | > 911 608 107 00 | fuel pump                            |        | 1   | 914-6                       | 26   | 999 512 055 02 | hose clamp<br>S 12/9 ZY                            |        | 4   | 914-4/1,7<br>914-1,8/2,0 |
| 13   | 911 608 107 01   | fuel pump                            |        | 1   | 914-6                       | 26   | 999 512 055 02 | hose clamp<br>S 12/9 ZY                            |        | 2   | 914-1,8V                 |
| 13   | 911 608 107 X    | fuel pump<br>electric                |        | 1   | 914-6                       | 27   | 914 356 201 00 | rubber sleeve                                      |        | 1   |                          |
| 13/1 | 311 906 091 D    | fuel pump<br>electric                |        | 1   | 914-4/1,7<br>914-1,8/2,0    | 28   | 914 356 202 00 | rubber sleeve<br>not for<br>TYP 914-1,8V           |        | 1   |                          |
| 14   | 914 356 527 00   | fuel line<br>pressure line           | /H     | 1   | 914-6                       | 29   | 999 512 184 02 | hose clamp<br>\$ 14,3 - 15,7                       |        | 1   |                          |
| 15   | 914 356 526 00   | fuel line<br>pressure line           | /H     | 1   | 914-4                       | 29   | 999 512 178 02 | hose clamp<br>\$ 13                                |        | 1   |                          |
| 15   | 914 356 526 00   | fuel line<br>pressure line           | /H     | 72- | 914-1,7/1,8V<br>914-1,8/2,0 | 30   | N 023 569 2    | hose clamp<br>S 16/9 ZY<br>not for<br>TYP 914-1,8V |        | 72- | 2                        |
| 16   | 914 356 056 00   | fuel line<br>engine                  |        | 1   | 914-6                       | 31   | 914 201 315 10 | edge protection                                    |        | 1   |                          |
| 20   | 999 591 335 40   | cable holder                         |        | 3   | 914-6                       |      |                |  |        |     |                          |

|       |      |    |    |              |              |     |              |            |         |     |         |
|-------|------|----|----|--------------|--------------|-----|--------------|------------|---------|-----|---------|
| Model | Year | MG | SG | Illustration | Restrictions | UPD | 18:12        | 30.01.2010 | PORSCHE | PET | PORSCHE |
| 914   | 1976 | 2  | 01 | 201-10       |              | 248 | USA / CANADA |            |         |     |         |

| Pos | Part Number    | Description  | Remark | Qty | Model                   | Pos | Part Number | Description | Remark | Qty | Model |
|-----|----------------|--|--------|-----|-------------------------|-----|-------------|-------------|--------|-----|-------|
| 32  | 914 356 502 00 | pipe clamp   | 74-    | 2   | 914-1,8V/1,8<br>914-2,0 |     |             |             |        |     |       |
| 33  | 914 356 502 01 | pipe clamp   | 74-    | 2   | 914-1,8V/1,8<br>914-2,0 |     |             |             |        |     |       |
| -   | 999 180 030 50 | fuel hose<br>C 7 X 12                                    |        | *   |                         |     |             |             |        |     |       |
| 34  | -              | 185 MM   | 74-    | 1   | 914-1,8V                |     |             |             |        |     |       |
| 35  | 999 703 215 40 | stopper  | 74-    | 1   | 914-1,8V                |     |             |             |        |     |       |
| 36  | 914 559 245 10 | stopper<br>picture<br>37 - 45<br>not for<br>TYP 914-1,8V |        | 1   | 914-1,8V                |     |             |             |        |     |       |
| 37  | 914 356 503 00 | clamp  |        | 1   | 914-6/4/1,7<br>914-1,8  |     |             |             |        |     |       |
| 37  | 914 356 503 00 | clamp  |        | 2   | 914-2,0                 |     |             |             |        |     |       |
| 38  | 900 014 096 02 | pan-head screw<br>BM 5 X 35                              |        | 1   |                         |     |             |             |        |     |       |
| 39  | 900 198 001 02 | square nut<br>M 5  |        | 1   |                         |     |             |             |        |     |       |
| 40  | 901 501 864 00 | metalastik pivot bearing                                 |        | 2   |                         |     |             |             |        |     |       |
| 41  | 900 076 010 02 | hexagon nut<br>M 6                                       |        | 2   |                         |     |             |             |        |     |       |
| 42  | 900 027 014 01 | lock ring<br>B 6   |        | 2   |                         |     |             |             |        |     |       |
| 43  | N 011 524 7    | washer<br>6,4  |        | 2   |                         |     |             |             |        |     |       |
| 44  | 900 027 014 01 | lock ring<br>B 6   |        | 2   |                         |     |             |             |        |     |       |
| 45  | 900 076 010 02 | hexagon nut<br>M 6                                       |        | 2   |                         |     |             |             |        |     |       |

|       |      |    |    |              |              |     |              |            |         |     |         |
|-------|------|----|----|--------------|--------------|-----|--------------|------------|---------|-----|---------|
| Model | Year | MG | SG | Illustration | Restrictions | UPD | 18:13        | 30.01.2010 | PORSCHE | PET | PORSCHE |
| 914   | 1976 | 2  | 01 | 201-15       |              | 248 | USA / CANADA |            |         |     |         |

Ab Mod. 75



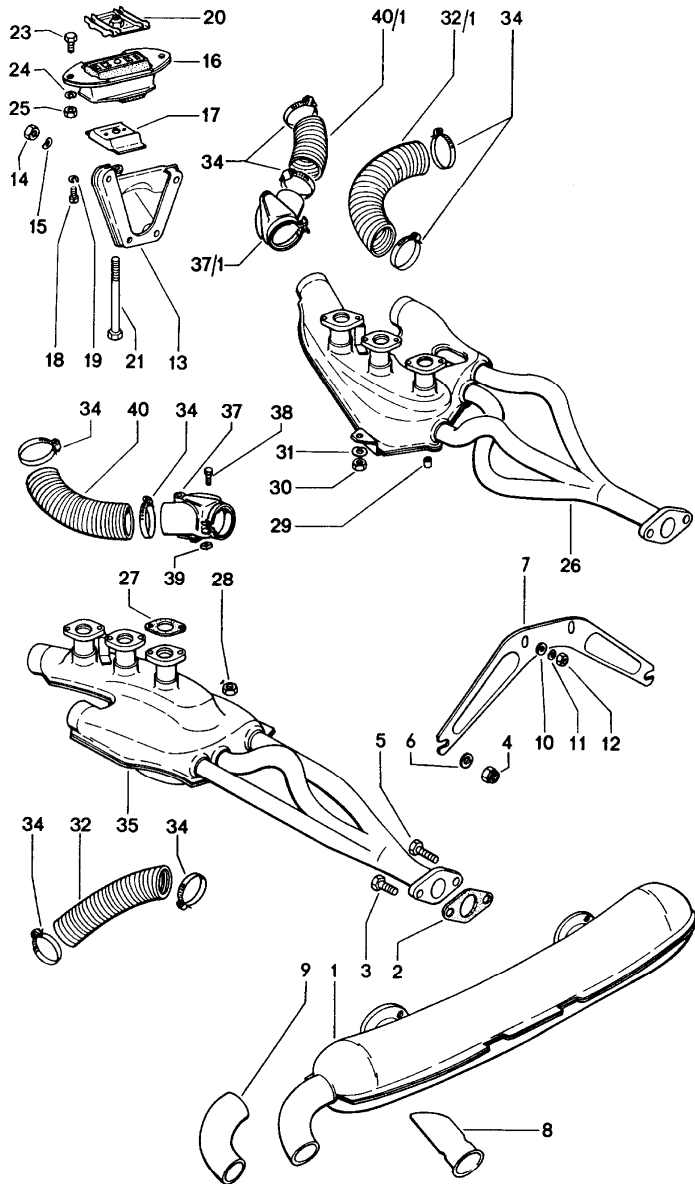
| Pos | Part Number    | Description                | Remark | Qty | Model       |
|-----|----------------|----------------------------|--------|-----|-------------|
|     |                | fuel line                  | 75-    |     |             |
| 1   | 914 356 063 01 | fuel line                  |        | 1   |             |
| -   | 999 180 030 50 | fuel hose<br>C 7 X 12      |        | *   |             |
| 2   | -              | 440 MM                     |        | 1   |             |
| -   | 999 181 152 50 | hose<br>7,5 X 13,5         |        | *   |             |
| 3   | -              | 930 MM                     |        | 1   | 914-1,8/2,0 |
| 4   | N 023 577 2    | hose clamp                 |        | 2   | 914-1,8/2,0 |
| 5   | 111 957 861    | rubber sleeve              |        | 1   | 914-1,8V    |
| 5   | 111 957 861    | rubber sleeve              |        | 2   | 914-1,8/2,0 |
| 6   | 914 356 201 00 | rubber sleeve              |        | 1   | 914-1,8V    |
| 6   | 914 356 201 00 | rubber sleeve              |        | 2   | 914-1,8/2,0 |
| 7   | 914 356 543 01 | rubber sleeve              |        | 1   |             |
| 8   | N 024 119 1    | hose clamp                 |        | 2   | 914-1,8V    |
| 8   | N 024 119 1    | hose clamp                 |        | 4   | 914-1,8/2,0 |
| 9   | 914 356 062 02 | fuel line<br>pressure line |        | 1   | 914-1,8/2,0 |
| -   | 999 180 030 50 | fuel hose<br>C 7 X 12      |        | *   |             |
| 10  | -              | 700 MM                     |        | 1   | 914-1,8/2,0 |
| -   | 999 181 152 50 | hose<br>7,5 X 13,5         |        | *   |             |
| 11  | -              | 300 MM                     |        | 1   | 914-1,8/2,0 |
| 12  | 914 356 502 01 | pipe clamp                 |        | 2   |             |
| 13  | 043 906 091    | fuel pump                  |        | 1   | 914-1,8/2,0 |
| 14  | 133 133 511    | fuel filter                |        | 1   | 914-1,8/2,0 |
| -   | 999 180 030 50 | fuel hose<br>C 7 X 12      |        | *   |             |
| 15  | -              | 620 MM                     |        | 1   | 914-1,8/2,0 |
| -   | 999 180 029 50 | hose<br>C 11 X 17,5        |        | *   |             |



|       |      |    |    |              |              |     |              |            |         |     |         |
|-------|------|----|----|--------------|--------------|-----|--------------|------------|---------|-----|---------|
| Model | Year | MG | SG | Illustration | Restrictions | UPD | 18:13        | 30.01.2010 | PORSCHE | PET | PORSCHE |
| 914   | 1976 | 2  | 01 | 201-15       |              | 248 | USA / CANADA |            |         |     |         |

| Pos | Part Number    | Description | Remark | Qty | Model       | Pos | Part Number | Description | Remark | Qty | Model |
|-----|----------------|-------------|--------|-----|-------------|-----|-------------|-------------|--------|-----|-------|
| 16  | -              | 470 MM      |        | 1   | 914-1,8/2,0 |     |             |             |        |     |       |
| 17  | N 024 124 1    | hose clamp  |        | 2   | 914-1,8/2,0 |     |             |             |        |     |       |
| 18  | 999 703 215 40 | stopper     |        | 1   | 914-1,8V    |     |             |             |        |     |       |
| 19  | 914 559 245 10 | stopper     |        | 1   | 914-1,8V    |     |             |             |        |     |       |
| 20  | 999 513 023 40 | tie-wrap    |        | 2   | 914-1,8/2,0 |     |             |             |        |     |       |
| 21  | 999 512 229 02 | clamp       |        | 1   | 914-1,8/2,0 |     |             |             |        |     |       |

|       |      |    |    |              |              |     |              |            |         |     |         |
|-------|------|----|----|--------------|--------------|-----|--------------|------------|---------|-----|---------|
| Model | Year | MG | SG | Illustration | Restrictions | UPD | 18:13        | 30.01.2010 | PORSCHE | PET | PORSCHE |
| 914   | 1976 | 2  | 02 | 202-00       |              | 248 | USA / CANADA |            |         |     |         |

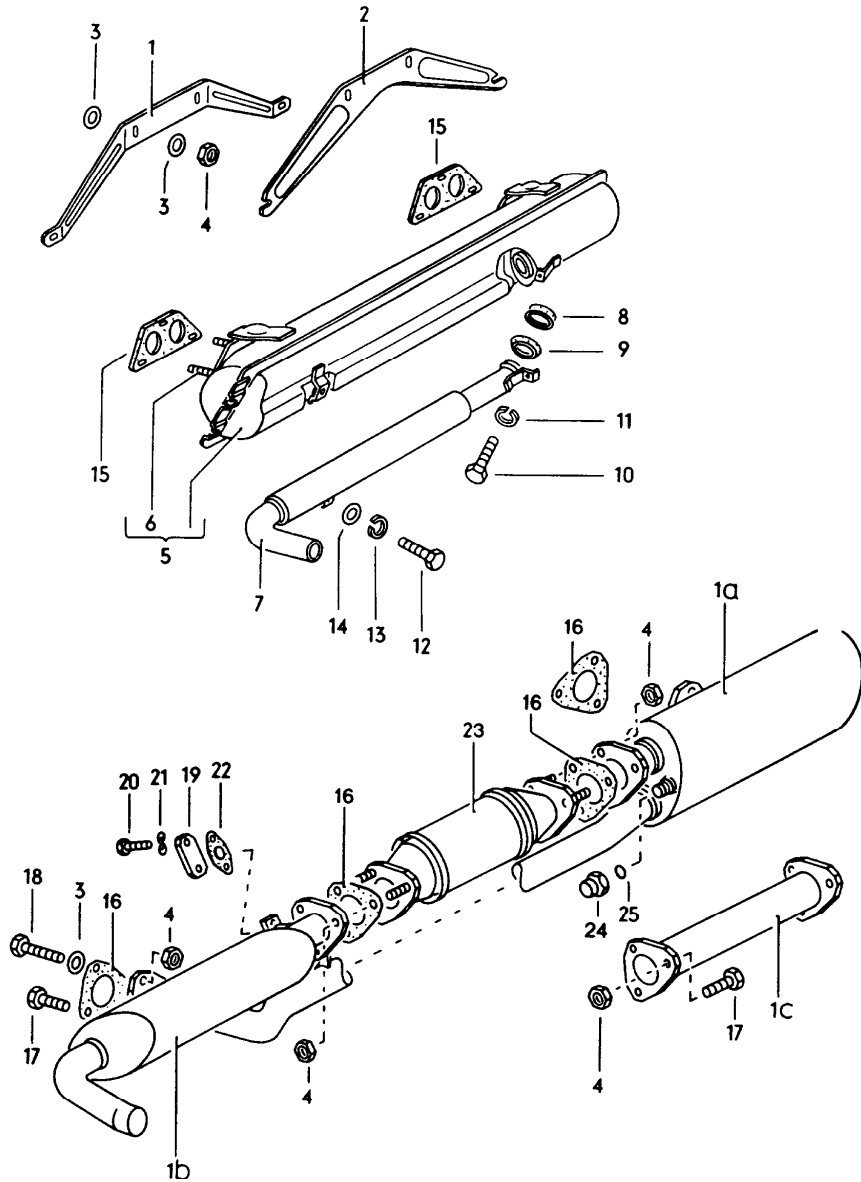


| Pos | Part Number    | Description   | Remark | Qty | Model |
|-----|----------------|---|--------|-----|-------|
|     |                | exhaust system<br>heating air supply<br>engine suspension |        |     | 914-6 |
| 1   | 901 111 011 11 | exhaust silencer  |        | 1   |       |
| 2   | 901 111 193 00 | gasket  |        | 2   |       |
| 3   | 900 075 148 02 | hexagon-head bolt   |        | 2   |       |
| 4   | 999 084 002 02 | hexagon nut   |        | 4   |       |
| 5   | 900 074 059 02 | hexagon-head bolt<br>M 10 X 40                            |        | 2   |       |
| 6   | 900 025 008 02 | washer<br>10,5  |        | 2   |       |
| 7   | 901 111 152 00 | bracket<br>for<br>muffler                                 |        | 1   |       |
| 8   | 901 111 245 01 | ornamental exhaust pipe                                   |        | 10  |       |
| 9   | 901 111 289 00 | tail pipe   |        | 1   |       |
| 10  | 900 151 030 30 | washer  |        | 2   |       |
| 11  | N 012 241 1    | spring washer<br>B 8 X 15                                 |        | 2   |       |
| 12  | 900 076 025 02 | hexagon nut<br>M 8  |        | 2   |       |
| 13  | 901 115 012 00 | bracket<br>complete                                       |        | 1   |       |
| 14  | 900 157 002 02 | hexagon nut<br>M 10                                       |        | 4   |       |
| 15  | N 012 242 3    | spring washer<br>B 10 X 18                                |        | 4   |       |
| 16  | 914 375 049 00 | engine mounting   |        | 1   |       |
| 17  | 914 375 158 00 | base<br>lower   |        | 1   |       |
| 18  | 900 014 039 02 | slotted screw<br>AM 6 X 15                                |        | 2   |       |
| 19  | 900 027 014 01 | lock ring<br>B 6  |        | 2   |       |
| 20  | 914 375 057 00 | base<br>upper   |        | 2   |       |

|       |      |    |    |              |              |     |              |            |         |     |         |
|-------|------|----|----|--------------|--------------|-----|--------------|------------|---------|-----|---------|
| Model | Year | MG | SG | Illustration | Restrictions | UPD | 18:13        | 30.01.2010 | PORSCHE | PET | PORSCHE |
| 914   | 1976 | 2  | 02 | 202-00       |              | 248 | USA / CANADA |            |         |     |         |

| Pos  | Part Number    | Description   | Remark | Qty | Model | Pos | Part Number    | Description               | Remark | Qty | Model |
|------|----------------|---|--------|-----|-------|-----|----------------|---------------------------|--------|-----|-------|
| 21   | 900 082 043 02 | hexagon-head bolt                                       |        | 1   |       | 41  | 930 211 622 01 | connecting hose<br>255 MM | /R     | 1   |       |
| 23   | 900 075 041 02 | hexagon-head bolt<br>M 10 X 25                          |        | 2   |       |     |                |                           |        |     |       |
| 24   | 900 027 016 02 | lock ring<br>B 10                                       |        | 2   |       |     |                |                           |        |     |       |
| 25   | N 011 010 6    | hexagon nut<br>M 10                                     |        | 2   |       |     |                |                           |        |     |       |
| 26   | 901 211 004 00 | heat exchanger<br>cylinder<br>1 - 3                     | /R     | 1   |       |     |                |                           |        |     |       |
| 27   | 901 111 191 01 | gasket  |        | 6   |       |     |                |                           |        |     |       |
| 28   | 900 076 025 02 | hexagon nut<br>M 8                                      |        | 3   |       |     |                |                           |        |     |       |
| 29   | 999 085 001 02 | socket head nut<br>M 8                                  |        | 9   |       |     |                |                           |        |     |       |
| 30   | 900 076 010 02 | hexagon nut<br>M 6                                      |        | 1   |       |     |                |                           |        |     |       |
| 31   | 900 028 008 01 | spring washer<br>B 6                                    |        | 1   |       |     |                |                           |        |     |       |
| 32   | 901 211 195 00 | heater hose   |        | 1   |       |     |                |                           |        |     |       |
| 32/1 | 901 211 195 00 | breather hose   |        | 1   |       |     |                |                           |        |     |       |
| 34   | 999 512 349 02 | hose clamp<br>(51-72) X 9                               |        | 4   |       |     |                |                           |        |     |       |
| 35   | 901 211 003 00 | heat exchanger<br>cylinder<br>4 - 6                     | /L     | 1   |       |     |                |                           |        |     |       |
| 37   | 901 211 620 00 | flap control box<br>heat exchanger<br>cylinder<br>1 - 3 | /R     | 1   |       |     |                |                           |        |     |       |
| 37/1 | 901 211 610 00 | flap control box<br>heat exchanger<br>cylinder<br>4 - 6 | /L     | 1   |       |     |                |                           |        |     |       |
| 38   | 901 211 631 00 | hexagon-head bolt                                       |        | 2   |       |     |                |                           |        |     |       |
| 39   | 901 211 632 00 | square nut<br>M 6                                       |        | 2   |       |     |                |                           |        |     |       |
| 40   | 930 211 622 01 | connecting hose<br>230 MM                               | /L     | 1   |       |     |                |                           |        |     |       |

|       |      |    |    |              |              |     |              |            |         |     |         |
|-------|------|----|----|--------------|--------------|-----|--------------|------------|---------|-----|---------|
| Model | Year | MG | SG | Illustration | Restrictions | UPD | 18:13        | 30.01.2010 | PORSCHE | PET | PORSCHE |
| 914   | 1976 | 2  | 02 | 202-05       |              | 248 | USA / CANADA |            |         |     |         |



| Pos   | Part Number   | Description                                   | Remark        | Qty | Model  |
|-------|---------------|---|---------------|-----|--|
| 1     | 022 251 067 A | exhaust system<br>exhaust silencer<br>bracket |               | 1   | 914-4/1,7<br>914-1,8V/1,8<br>914-4/1,7<br>914-1,8V/1,8 |
|       |               | M   | >>ECO 037 551 |     |  |
|       |               | M   | >> W0 250 000 |     |  |
|       |               | M   | >>EAO 098 793 |     |  |
| 2     | 039 251 067   | bracket                                       |               | 1   | 914-2,0  |
|       |               | M   | >>GA0 016 000 |     |  |
| (2)   | 039 251 067 A | bracket                                       |               | 1   | 914-1,8/2,0  |
|       |               | M ECO 037 552>>                               |               |     |  |
|       |               | M GC0 000 001>>                               |               |     |  |
| 3     | N 011 670 1   | washer  |               | X   |  |
|       |               | 8,4   |               |     |  |
| 4     | 311 101 463   | hexagon nut                                   |               | X   |  |
|       |               | M 8   |               |     |  |
|       |               | self-locking                                  |               |     |  |
| (5)   | 021 251 053 C | pot   |               | 1   | 914-4/1,7<br>914-1,8V/1,8                              |
| (5) A | 021 251 101 E | pot   |               | 1   | 914-4  |
|       |               | M   | >>EAO 057 000 |     |  |
|       |               | M   | >> W0 170 000 |     |  |
| (5) A | 021 251 101 K | pot   |               | 1   | 914-1,7  |
|       |               | M EAO 057 001>>                               |               |     |  |
|       |               | M W0 170 001 >>                               |               |     |  |
|       |               | M   | >>EAO 098 793 |     |  |
|       |               | M   | >>EBO 010 020 |     |  |
|       |               | M   | >> W0 250 000 |     |  |
| (5)   | PCG 251 051 D | muffler                                       |               | 1   | 914-2,0  |
| 1A    | 039 251 053   | front muffler                                 |               | 1   | 914-1,8/2,0  |
|       |               | M ECO 037 552>>                               |               |     |  |
|       |               | M GC0 000 001>>                               |               |     |  |
| 1B    | 039 251 055 A | rear muffler                                  |               | 1   | 914-1,8/2,0  |
|       |               | M ECO 037 552>>                               |               |     |  |
|       |               | M GC0 000 001>>                               |               |     |  |
| 1C    | 039 251 058   | exhaust pipe<br>centre                        |               | 1   | 914-1,8/2,0  |
|       |               | M ECO 037 552>>                               |               |     |  |
|       |               | M GC0 000 001>>                               |               |     |  |
| -     | 000 071 343   | ornamental exhaust pipe                       |               | 1   |  |
| -     | 000 071 347   | ornamental exhaust pipe                       |               | 1   | 914-2,0  |

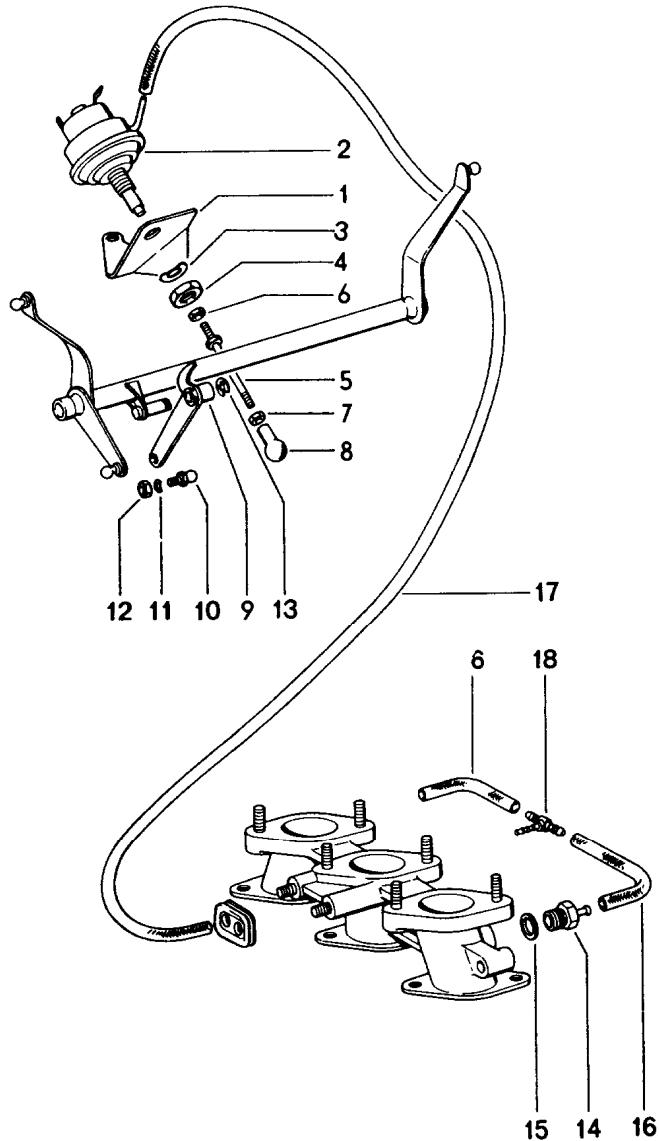
|       |      |    |    |              |              |     |              |            |         |     |         |
|-------|------|----|----|--------------|--------------|-----|--------------|------------|---------|-----|---------|
| Model | Year | MG | SG | Illustration | Restrictions | UPD | 18:13        | 30.01.2010 | PORSCHE | PET | PORSCHE |
| 914   | 1976 | 2  | 02 | 202-05       |              | 248 | USA / CANADA |            |         |     |         |

| Pos | Part Number    | Description  | Remark | Qty | Model                     | Pos  | Part Number    | Description  | Remark | Qty | Model                     |
|-----|----------------|--|--------|-----|---------------------------|------|----------------|--|--------|-----|---------------------------|
| 6   | N 014 463 2    | stud<br>BM 8 B X 31  |        | 6   |                           | 11   | 900 027 015 02 | lock ring<br>B 8   |        | 1   | 914-4/1,7                 |
| 7   | 021 251 171 M  | tail pipe<br>with<br>damper<br>for<br>pot<br>021.251.101 E<br>M >>EA0 057 000<br>M >> W0 170 000   |        | 1   | 914-4                     | 12   | 900 075 085 02 | hexagon-head bolt<br>M 8 X 20  |        | 1   | 914-4/1,7                 |
| (7) | 021 251 171 N  | tail pipe<br>with<br>damper<br>for<br>pot<br>021.251.101 K<br>M EA0 057 001>><br>M W0 170 001 >><br>M >>EA0 098 793<br>M >>EB0 010 020<br>M >> W0 250 000  |        | 1   | 914-1,7                   | 13   | 900 027 015 02 | lock ring<br>B 8   |        | 1   | 914-4/1,7                 |
|     |                |  |        |     |                           | 14   | 900 025 007 02 | washer<br>A 8,4  |        | 1   | 914-4/1,7                 |
|     |                |  |        |     |                           | 15   | 025 251 261    | gasket<br><br>M >>ECO 037 551<br>M >>EA0 098 793<br>M >>EB0 010 020<br>M >> W0 250 000 |        | 2   | 914-4/1,7<br>914-1,8V/1,8 |
|     |                |  |        |     |                           | (15) | 039 251 261    | gasket<br>M >>GA0 016 000  |        | 2   | 914-2,0                   |
| (7) | 021 251 185 C  | tail pipe<br>for<br>pot<br>021.251.053 C<br>M EA0 057 001>><br>M W0 170 001 >><br>M >>ECO 037 551<br>M >>EA0 098 793<br>M >>EB0 010 020<br>M >> W0 250 000 |        | 1   | 914-1,7/1,8V<br>914-1,8   | 16   | 443 253 115 B  | gasket<br>M ECO 037 552>><br>M GC0 000 001>>   |        | 4   | 914-1,8/2,0               |
|     |                |  |        |     |                           | 17   | N 010 233 6    | hexagon-head bolt<br>M 8 X 28  |        | 12  | 914-1,8/2,0               |
|     |                |  |        |     |                           | 18   | N 010 247 8    | hexagon-head bolt<br>M 8 X 35  |        | 4   | 914-1,8/2,0               |
| (7) | 022 251 185    | tail pipe<br>for<br>pot<br>021.251.053 C<br>M >>EA0 057 000<br>M >> W0 170 000   |        | 1   | 914-4                     | 19   | 039 131 594    | flange<br>M ECO 037 552>><br>M GC0 000 001>>   |        | 1   | 914-1,8/2,0               |
|     |                |  |        |     |                           | 20   | 900 075 014 02 | hexagon-head bolt<br>M 6 X 18  |        | 3   | 914-1,8/2,0               |
| 8   | 021 251 231 B  | sealing ring<br>\$ 43 MM   |        | 1   | 914-4/1,7                 | 21   | N 012 226 5    | spring washer<br>B 6   |        | 3   | 914-1,8/2,0               |
| (8) | 025 251 235    | gasket<br>for<br>pot<br>021.251.053 C<br>M >>ECO 037 551   |        | 1   | 914-4/1,7<br>914-1,8V/1,8 | 22   | 021 131 599 A  | gasket<br>M ECO 037 552>><br>M GC0 000 001>>   |        | 1   | 914-1,8/2,0               |
|     |                |  |        |     |                           | 23   | 055 131 701    | catalytic converter<br><br>M ECO 037 552>><br>M GC0 000 001>>                          |        | 1   | 914-1,8/2,0<br>(CAL)      |
| 9   | 021 251 233 A  | ring piece<br>\$ 43,5 MM   |        | 1   | 914-4/1,7                 | 23   | 055 131 701 PV | catalytic converter<br><br>M ECO 037 552>><br>M GC0 000 001>>                          |        | 1   | 914-1,8/2,0<br>(CAL)      |
| 10  | 900 075 079 02 | hexagon-head bolt<br>M 8 X 22  |        | 1   | 914-4/1,7                 |      |                |  |        |     |                           |

|       |      |    |    |              |              |     |              |            |         |     |         |
|-------|------|----|----|--------------|--------------|-----|--------------|------------|---------|-----|---------|
| Model | Year | MG | SG | Illustration | Restrictions | UPD | 18:13        | 30.01.2010 | PORSCHE | PET | PORSCHE |
| 914   | 1976 | 2  | 02 | 202-05       |              | 248 | USA / CANADA |            |         |     |         |

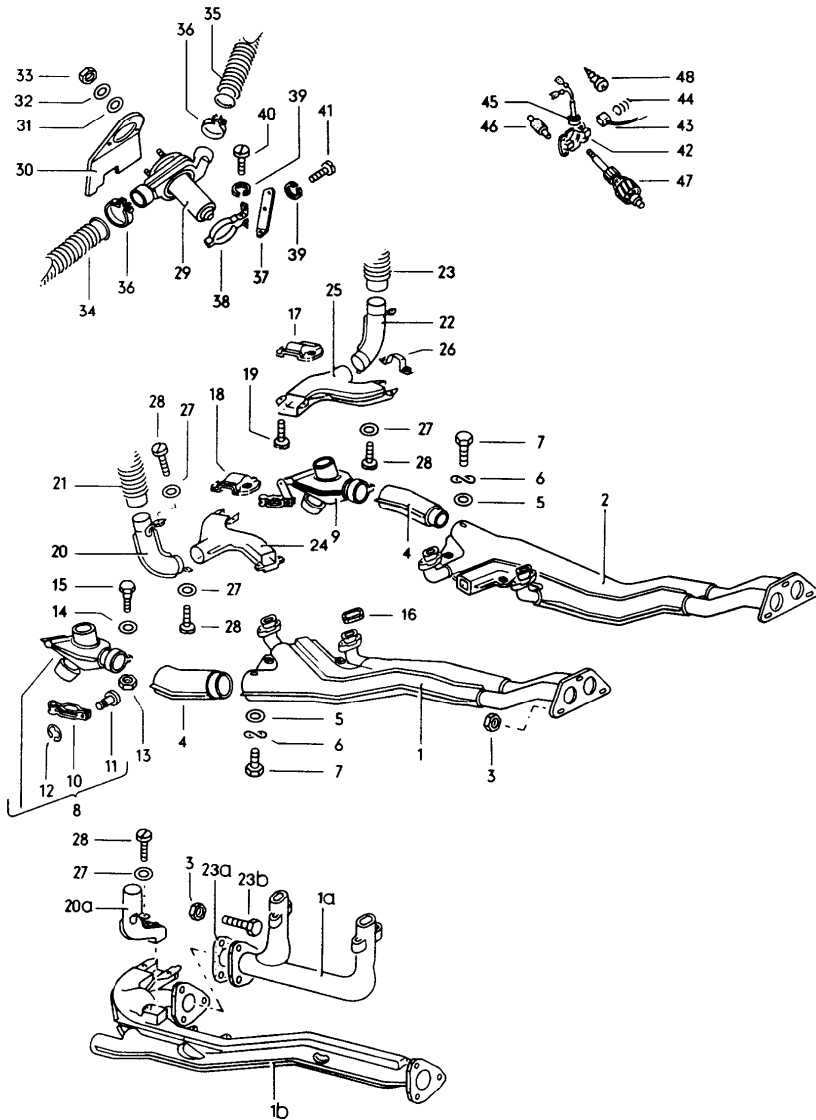
| Pos | Part Number   | Description                                   | Remark | Qty | Model       | Pos | Part Number | Description | Remark | Qty | Model |
|-----|---------------|---|--------|-----|-------------|-----|-------------|-------------|--------|-----|-------|
| 24  | 4A0 131 737 A | cap nut<br>M EC0 037 552>><br>M GC0 000 001>> |        | 1   | 914-1,8/2,0 |     |             |             |        |     |       |
| 25  | N 013 830 2   | sealing ring<br>A 8 X 12                      |        | 1   | 914-1,8/2,0 |     |             |             |        |     |       |

|       |      |    |    |              |              |     |              |            |         |     |         |
|-------|------|----|----|--------------|--------------|-----|--------------|------------|---------|-----|---------|
| Model | Year | MG | SG | Illustration | Restrictions | UPD | 18:13        | 30.01.2010 | PORSCHE | PET | PORSCHE |
| 914   | 1976 | 2  | 02 | 202-10       |              | 248 | USA / CANADA |            |         |     |         |



| Pos | Part Number    | Description               | Remark | Qty | Model              |
|-----|----------------|---------------------------|--------|-----|--------------------|
|     |                | emission control          |        |     | 914-6<br>901/38/39 |
| 1   | 901 113 225 01 | support                   |        | 1   |                    |
| 2   | 901 113 309 00 | vacuum unit               |        | 1   |                    |
| 3   | 900 028 014 01 | spring washer<br>B 12     |        | 1   |                    |
| 4   | 999 078 009 02 | hexagon nut               |        | 1   |                    |
| 5   | 901 113 038 00 | push rod<br>complete      |        | 1   |                    |
| 6   | 900 076 027 02 | hexagon nut<br>M 5        |        | 1   |                    |
| 7   | 900 076 029 02 | hexagon nut<br>M 5        | /L     | 1   |                    |
| 8   | 900 169 010 02 | ball socket<br>A 8        | /L     | 1   |                    |
| 9   | 901 113 054 00 | lever<br>complete         |        | 1   |                    |
| 10  | 999 167 022 02 | ball pin                  |        | 1   |                    |
| 11  | N 012 225 2    | spring washer<br>B 5      |        | 1   |                    |
| 12  | 900 076 027 02 | hexagon nut<br>M 5        |        | 1   |                    |
| 13  | 900 116 009 01 | lock washer<br>6          |        | 1   |                    |
| 14  | 901 113 408 00 | screw socket              |        | 2   |                    |
| 15  | 900 123 008 30 | sealing ring<br>C 14 X 20 |        | 2   |                    |
| -   | 999 181 167 50 | hose<br>C 4,5 X 9,5       |        | *   |                    |
| 16  | -              | 135 MM                    |        | 2   |                    |
| -   | 999 180 093 50 | hose<br>C 3 X 6,5         |        | *   |                    |
| 17  | -              | 530 MM                    |        | 1   |                    |
| 18  | 901 113 406 00 | connecting piece          |        | 1   |                    |

|       |      |    |    |              |              |     |              |            |         |     |         |
|-------|------|----|----|--------------|--------------|-----|--------------|------------|---------|-----|---------|
| Model | Year | MG | SG | Illustration | Restrictions | UPD | 18:14        | 30.01.2010 | PORSCHE | PET | PORSCHE |
| 914   | 1976 | 2  | 02 | 202-15       |              | 248 | USA / CANADA |            |         |     |         |



| Pos  | Part Number    | Description   | Remark | Qty | Model                     |
|------|----------------|---|--------|-----|---------------------------|
|      |                | exhaust system<br>heat exchanger  |        |     | 914                       |
| 1A   | 039 256 281 A  | exhaust pipe<br>M ECO 037 552>><br>M >>ECO 041 259<br>M >>GCO 001 320   | /L     | 1   | 914-1,8/2,0               |
| (1A) | 039 256 281 A  | exhaust pipe<br>M ECO 041 260>><br>M GCO 001 321>>                      | /L     | 1   | 914-1,8/2,0               |
| (1A) | 039 256 282 A  | exhaust pipe<br>M ECO 037 552>><br>M >>ECO 041 259<br>M >>GCO 001 320   | /R     | 1   | 914-1,8/2,0               |
| (1A) | 039 256 282 A  | exhaust pipe<br>M ECO 041 260>><br>M GCO 001 321>>                      | /R     | 1   | 914-1,8/2,0               |
| 1    | 022 256 091 F  | heat exchanger  | /L     | 1   | 914-4/1,7                 |
| 1    | 022 256 091 F  | heat exchanger<br>M >>ECO 037 551                                       | /L     | 1   | 914-1,8V/1,8              |
| (1)  | 039 256 091    | heat exchanger<br>M >>GA0 016 000                                       | /L     | 1   | 914-2,0                   |
| 1B   | 039 256 091 A  | heat exchanger<br>M ECO 037 552>><br>M GCO 000 001>>                    | /L     | 1   | 914-1,8/2,0               |
| -    | 022 256 092 F  | heat exchanger<br>M >>ECO 037 551<br>M >>EAO 098 793<br>M >>EBO 010 020 |        | 1   | 914-4/1,7<br>914-1,8V/1,8 |
| (2)  | 039 256 092    | heat exchanger<br>M >>GA0 016 000                                       | /R     | 1   | 914-2,0                   |
| (1B) | 039 256 092 A  | heat exchanger<br>M ECO 037 552>><br>M GCO 000 001>>                    | /R     | 1   | 914-1,8/2,0               |
| -    | N 010 247 8    | hexagon-head bolt<br>M 8 X 35   |        | 6   | 914-2,0                   |
| -    | 900 025 007 02 | washer<br>A 8,4   |        | 6   | 914-2,0                   |
| 3    | 311 101 463    | hexagon nut<br>M 8  |        | X   |                           |
| 4    | 022 256 121    | elbow   |        | 2   |                           |



|       |      |    |    |              |              |     |              |            |         |     |         |
|-------|------|----|----|--------------|--------------|-----|--------------|------------|---------|-----|---------|
| Model | Year | MG | SG | Illustration | Restrictions | UPD | 18:14        | 30.01.2010 | PORSCHE | PET | PORSCHE |
| 914   | 1976 | 2  | 02 | 202-15       |              | 248 | USA / CANADA |            |         |     |         |

| Pos  | Part Number    | Description                           | Remark | Qty | Model                   | Pos   | Part Number    | Description  | Remark | Qty | Model                     |
|------|----------------|---------------------------------------|--------|-----|-------------------------|-------|----------------|--|--------|-----|---------------------------|
| 5    | N 011 652 1    | washer<br>7                           |        | 4   |                         | 17    | 021 256 321 D  | lid<br>for<br>heating air supply<br>M >>EA0 098 793<br>M >>EB0 010 020<br>M >>GA0 012 220                    | /R     | 1   | 914-4/1,7<br>914-1,8/2,0  |
| 6    | N 012 226 5    | spring washer<br>B 6                  |        | 4   |                         |       |                |  |        |     |                           |
| 7    | N 010 210 13   | hexagon-head bolt<br>M 6 X 10 K       |        | 4   |                         | (17)  | 021 256 321 D  | lid<br>for<br>heating air supply<br>M >>GA0 016 000<br>M ECO 000 001>><br>M GA0 012 221>><br>M GC0 000 001>> | /R     | 1   | 914-1,8/1,8V<br>914-2,0   |
| 8    | 022 256 205 B  | heat control box                      | /L     | 1   |                         |       |                |  |        |     |                           |
| 9    | 022 256 206 B  | heat control box                      | /R     | 1   |                         |       |                |  |        |     |                           |
| 10   | 111 255 309 B  | intermediate piece                    |        | 2   |                         |       |                |  |        |     |                           |
| 11   | 111 255 311    | bolt                                  |        | 2   | 914-4/1,7<br>914-2,0    | 18    | 021 256 322 B  | lid<br>for<br>heating air supply<br>M >>EA0 098 793<br>M >>EB0 010 020<br>M >>GA0 012 220                    | /L     | 1   | 914-4/1,7<br>914-1,8V/2,0 |
| -    | N 013 670 1    | rivet                                 |        | 2   |                         |       |                |  |        |     |                           |
| 12   | 900 116 003 02 | lock washer<br>4                      |        | 2   | 914-4/1,7<br>914-2,0    | (18)  | 021 256 322 B  | lid<br>for<br>heating air supply<br>M ECO 000 001>><br>M >>GA0 016 000<br>M GA0 012 221>><br>M GC0 000 001>> | /L     | 1   | 914-1,8/1,8V<br>914-2,0   |
| 13   | 900 076 010 02 | hexagon nut<br>M6                     |        | 2   |                         |       |                |  |        |     |                           |
| 14   | N 011 652 1    | washer<br>7                           |        | 2   |                         |       |                |  |        |     |                           |
| 15   | 111 129 635    | hexagon-head bolt<br>M 6              |        | 2   |                         | -     | 021 256 325 A  | gasket<br>for<br>lid   | /R     | 1   | 914-1,8/1,8V<br>914-2,0   |
| 16   | 021 256 251 A  | sealing ring<br>for<br>heat exchanger |        | 4   | 914-4/1,7               | -     | 021 256 326 A  | gasket<br>for<br>lid   | /L     | 1   | 914-1,8/1,8V<br>914-2,0   |
| (16) | 039 256 251    | sealing ring<br>for<br>heat exchanger |        | 4   | 914-1,8/1,8V<br>914-2,0 | 19    | N 014 139 5    | pan-head screw<br>AM 6 X 12  |        | 4   |                           |
| -    | 900 025 007 02 | washer<br>B 8,4                       |        | 8   | 914-2,0                 | 20    | 022 256 331    | connecting pipe  | /L     | 1   |                           |
| -    | 021 256 303 B  | support<br>for<br>heat exchanger      |        | 1   | 914-1,8/1,8V            | 20A   | 039 256 331    | connecting pipe<br>M ECO 037 552>><br>M GC0 000 001>>  | /L     | 1   | 914-1,8/2,0               |
| -    | N 010 239 11   | hexagon-head bolt<br>M 8 X 18         |        | 2   | 914-1,8/1,8V            | 21    | 914 572 153 10 | heater hose<br>260 MM  | /L     | 1   |                           |
| -    | 900 025 007 02 | washer<br>A 8,4                       |        | 2   | 914-1,8/1,8V            | 22    | 022 256 332    | connecting pipe  | /R     | 1   |                           |
|      |                |                                       |        |     |                         | (20A) | 039 256 332    | connecting pipe<br>M ECO 037 552>><br>M GC0 000 001>>  | /R     | 1   | 914-1,8/2,0               |

|       |      |    |    |              |              |     |              |            |         |     |         |
|-------|------|----|----|--------------|--------------|-----|--------------|------------|---------|-----|---------|
| Model | Year | MG | SG | Illustration | Restrictions | UPD | 18:14        | 30.01.2010 | PORSCHE | PET | PORSCHE |
| 914   | 1976 | 2  | 02 | 202-15       |              | 248 | USA / CANADA |            |         |     |         |

| Pos | Part Number    | Description                                  | Remark | Qty | Model       | Pos | Part Number    | Description                               | Remark | Qty | Model       |
|-----|----------------|--|--------|-----|-------------|-----|----------------|---|--------|-----|-------------|
| 23  | 930 211 622 01 | connecting hose<br>290 MM                    | /R     | 1   |             | 42  | 411 963 009    | retainer plate                            |        | 1   | 914-4       |
| 23A | 443 253 115 B  | gasket<br>M EC0 037 552>><br>M GC0 000 001>> |        | 2   | 914-1,8/2,0 | 43  | 411 963 011    | brush                                     |        | 2   | 914-4       |
| 23B | 900 075 083 02 | hexagon-head bolt<br>M 8 X 25                |        | 6   | 914-1,8/2,0 | 44  | 311 955 853    | spring                                    |        | 2   | 914-4       |
| 24  | 022 256 501 A  | heating air supply                           | /L     | 1   |             | 45  | 411 963 013    | grommet                                   |        | 1   | 914-4       |
| 25  | 022 256 502 A  | heating air supply                           | /R     | 1   |             | 46  | 411 963 015    | bonded rubber mounting                    |        | 4   | 914-4       |
| 26  | 022 256 511    | clip   |        | 2   |             | 47  | 411 963 017    | armature                                  |        | 1   | 914-4       |
| 27  | N 011 652 1    | washer<br>7                                  |        | 16  |             | 48  | N 013 956 2    | oval-head sheetmetal screw<br>B 3,5 X 6,5 |        | 6   | 914-4       |
| 28  | N 010 710 8    | pan-head screw<br>AM 6 X 10                  |        | 16  |             | -   | 914 572 011 10 | additional blower                         |        | 1   | 914-1,7/2,0 |
| 29  | 473 261 193    | blower                                       |        | 1   | 914-4       | -   | 914 572 273 10 | rubber base                               |        | 1   | 914-1,7/2,0 |
| 30  | 473 261 207    | bracket                                      |        | 1   | 914-4       | -   | 999 512 207 02 | clamp                                     |        | 1   | 914-1,7/2,0 |
| 31  | 900 025 007 02 | washer<br>A 8,4                              |        | 3   | 914-4       | -   | 914 572 129 10 | distributing piece                        |        | 1   | 914-1,7/2,0 |
| 32  | N 011 524 7    | washer<br>A 6,4                              |        | 3   | 914-4       | - A | PCG 261 235 A  | air hose<br>\$ 55 X 460                   |        | 1   | 914-1,7/2,0 |
| 33  | 113 251 273    | hexagon nut<br>M 6<br>self-locking           |        | 3   | 914-4       | -   | PCG 261 235 A  | flexible pipe<br>\$ 55 X 460              |        | 1   | 914-1,7/2,0 |
| 34  | PCG 261 233    | heater hose<br>\$ 61 X 420 MM                | /L     | 1   | 914-4       | -   | 111 501 159 B  | hose clamp                                |        | 1   | 914-1,7/2,0 |
| 35  | 461 261 235 A  | heater hose<br>\$ 60,2 X 960 MM              | /R     | 1   | 914-4       | -   | 999 591 372 00 | terminal                                  |        | 2   | 914-1,7/2,0 |
| 36  | 111 501 159 B  | hose clamp<br>\$ 44 - 64 MM                  |        | 4   | 914-4       |     |                |   |        |     |             |
| 37  | 473 261 267    | support                                      |        | 1   | 914-4       |     |                |   |        |     |             |
| 38  | 461 261 269    | clip   |        | 1   | 914-4       |     |                |   |        |     |             |
| 39  | N 012 006 4    | lock ring<br>A6                              |        | 3   | 914-4       |     |                |   |        |     |             |
| 40  | N 014 141 2    | oval-head sheetmetal screw<br>AM 6 X 18      |        | 1   | 914-4       |     |                |   |        |     |             |
| 41  | N 014 140 5    | oval-head screw<br>AM 6 X 15                 |        | 1   | 914-4       |     |                |   |        |     |             |

PORSCHÉ

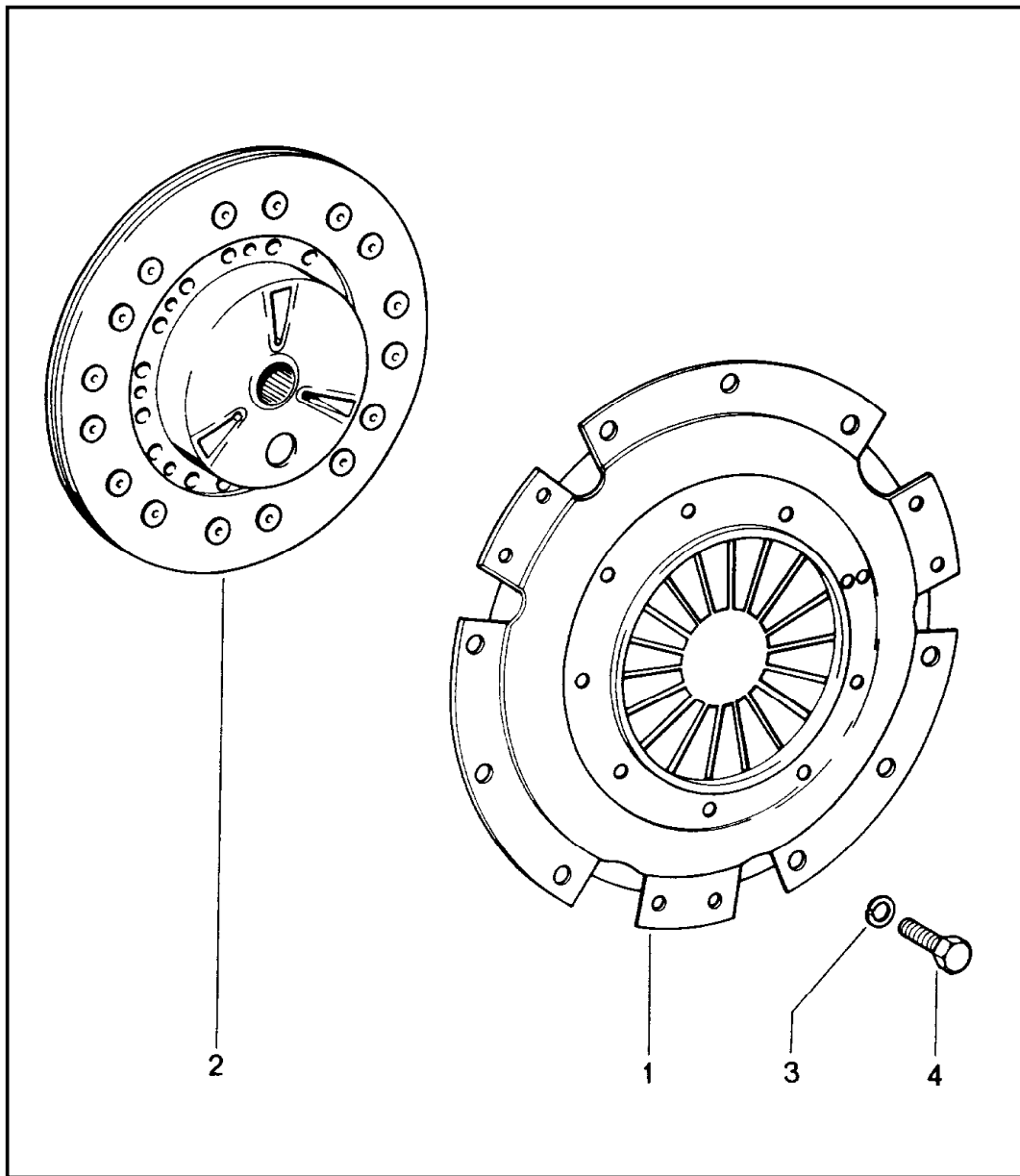
PET

PORSCHÉ

|       |      |    |    |              |              |     |              |            |
|-------|------|----|----|--------------|--------------|-----|--------------|------------|
| Model | Year | MG | SG | Illustration | Restrictions | UPD | 18:14        | 30.01.2010 |
| 914   | 1976 | 2  | 98 | 298-00R      |              | 248 | USA / CANADA |            |

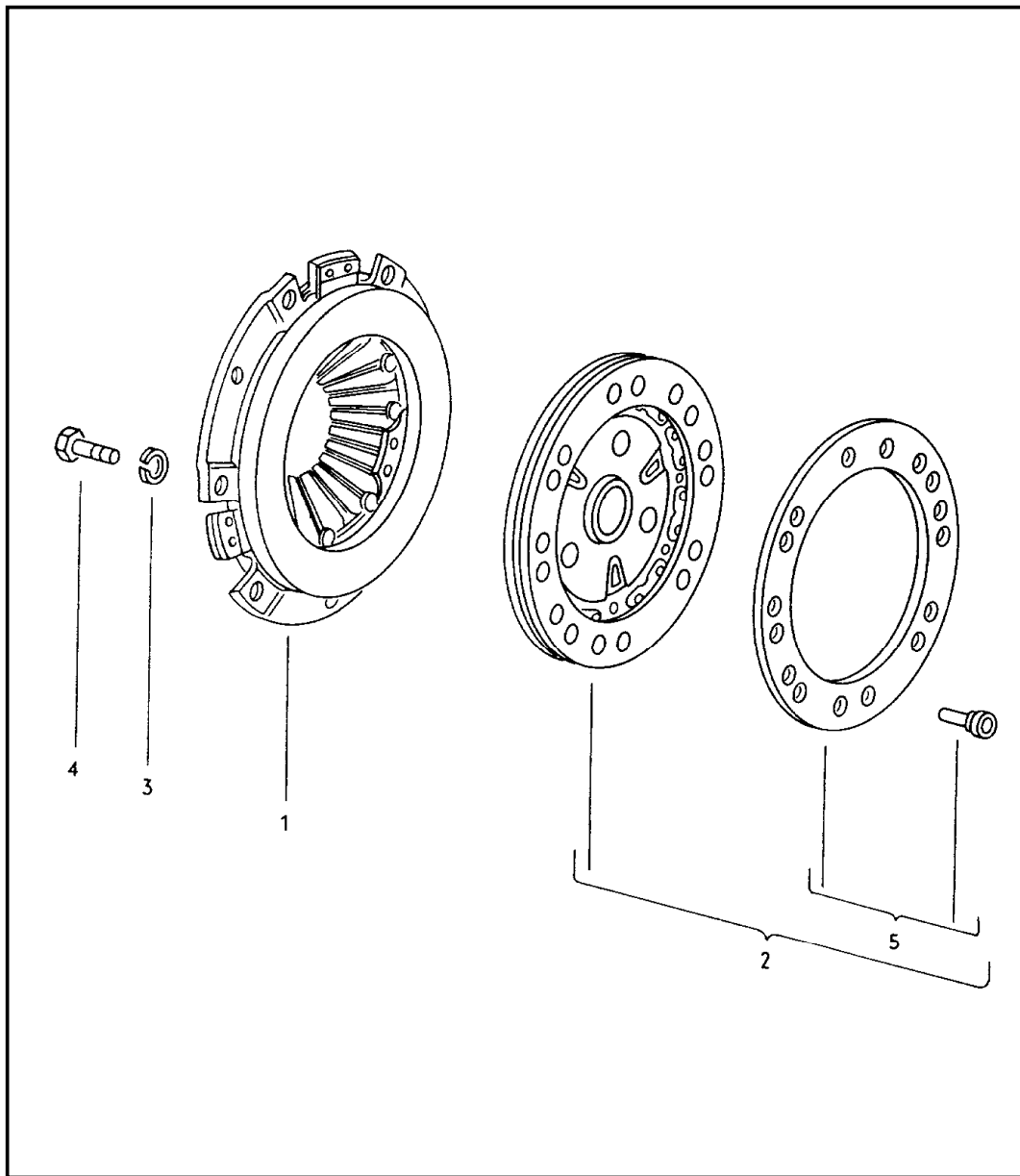
| Pos | Part Number      | Description   | Remark | Qty | Model |
|-----|------------------|---|--------|-----|-------|
| >>  | >>901 108 948 01 | gasket set<br>gasket set<br>for<br>mixture control unit<br>- WEBER -<br>complete<br>comprising: |        | X   |       |
| -   | 901 108 398 01   | gasket  |        | 6   |       |
| -   | 901 108 398 01   | gasket<br>without asbestos<br>for<br>mixture control unit                                       |        | 6   |       |
| -   | 901 108 218 00   | gasket<br>for<br>connecting piece   |        | 2   |       |
| -   | N 013 818 4      | sealing ring<br>A 12 X 16   |        | 4   |       |
| -   | PCG 100 914 00   | sealing ring  |        | 4   |       |
| -   | 901 100 915 00   | sealing ring  |        | 4   |       |
| -   | 901 100 937 00   | sealing ring  |        | 2   |       |
| -   | 901 100 916 00   | sealing ring  |        | 2   |       |
| -   | 901 100 917 00   | sealing ring  |        | 4   |       |
| -   | 901 100 946 00   | diaphragm   |        | 2   |       |
| -   | 901 100 998 00   | sealing ring  |        | 3   |       |
| -   | 901 100 977 00   | sealing ring  |        | 6   |       |
| -   | 901 100 918 00   | sealing ring  |        | 2   |       |
| -   | 901 100 919 00   | sealing ring  |        | 6   |       |
| -   | 901 100 990 01   | sealing ring<br>10 X 14 X 1 MM  |        | 4   |       |
| -   | 901 100 995 00   | sealing ring<br>10 X 14 X 0,25 MM   |        | 4   |       |
| -   | 901 100 996 00   | sealing ring<br>10 X 14 X 0,5 MM  |        | 4   |       |
| -   | 901 100 998 00   | sealing ring  |        | 6   |       |

|       |      |    |    |              |              |     |              |            |         |     |         |
|-------|------|----|----|--------------|--------------|-----|--------------|------------|---------|-----|---------|
| Model | Year | MG | SG | Illustration | Restrictions | UPD | 18:14        | 30.01.2010 | PORSCHE | PET | PORSCHE |
| 914   | 1976 | 3  | 01 | 301-00       |              | 248 | USA / CANADA |            |         |     |         |



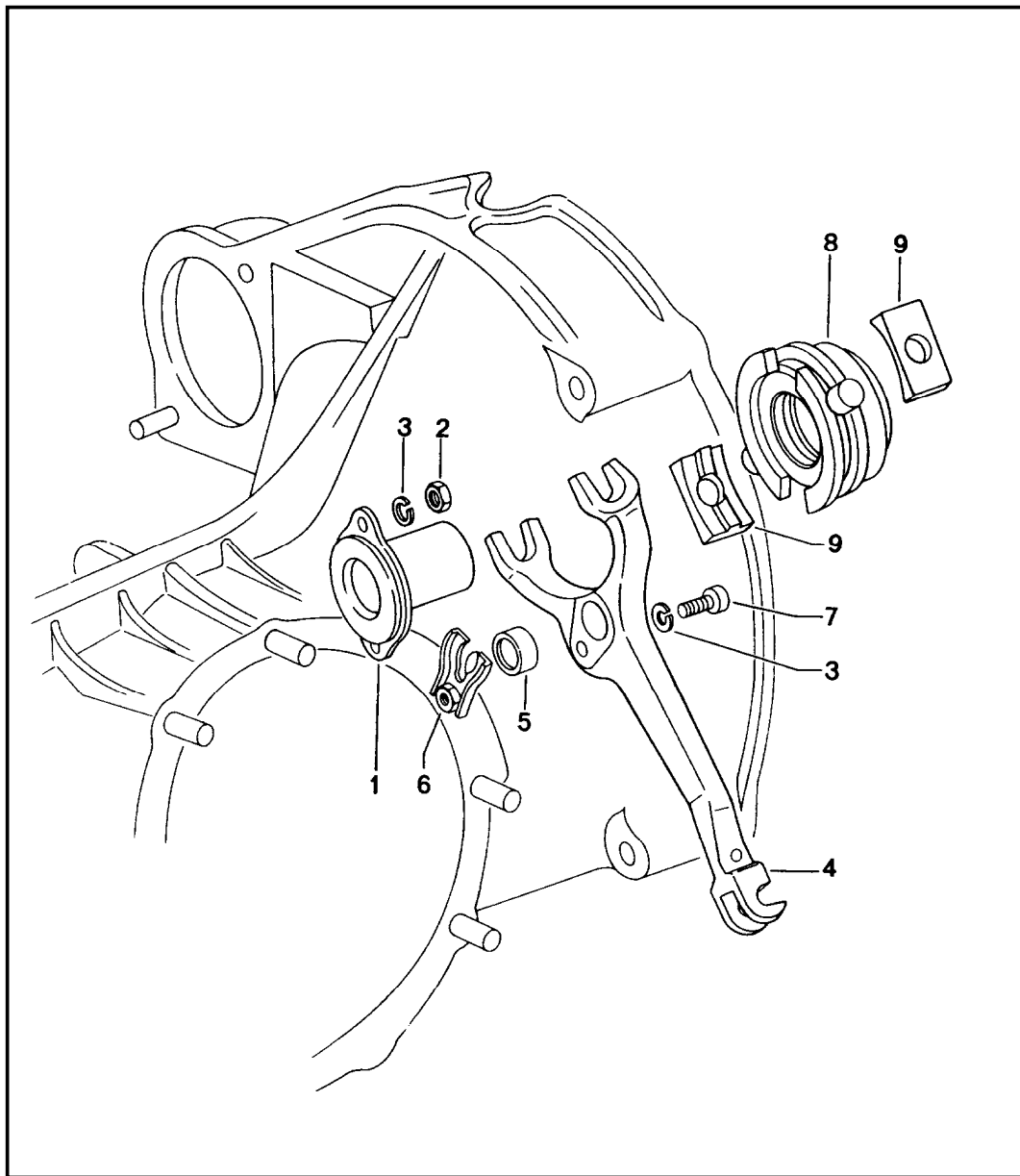
| Pos | Part Number      | Description                   | Remark | Qty | Model |
|-----|------------------|-------------------------------|--------|-----|-------|
|     |                  | clutch                        |        |     | 914-6 |
| 1   | > 901 116 001 01 | pressure plate                |        | 1   |       |
| 2   | PCG 116 011 05   | clutch plate                  |        | 1   |       |
| 3   | 900 027 015 02   | lock ring<br>B 8              |        | 6   |       |
| 4   | 900 075 104 01   | hexagon-head bolt<br>B 8 X 15 |        | 6   |       |

|       |      |    |    |              |              |     |              |            |         |     |         |
|-------|------|----|----|--------------|--------------|-----|--------------|------------|---------|-----|---------|
| Model | Year | MG | SG | Illustration | Restrictions | UPD | 18:14        | 30.01.2010 | PORSCHE | PET | PORSCHE |
| 914   | 1976 | 3  | 01 | 301-05       |              | 248 | USA / CANADA |            |         |     |         |



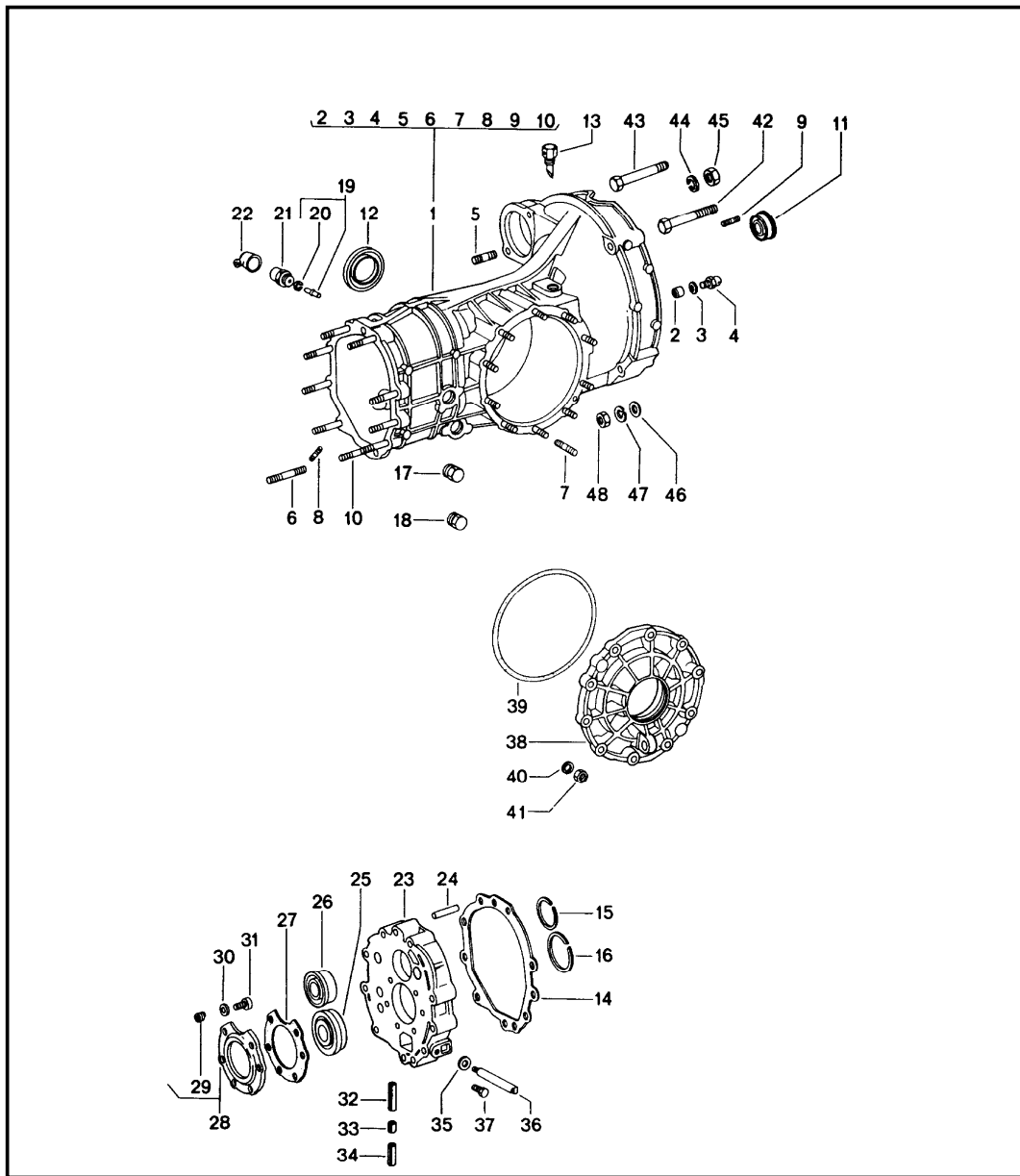
| Pos | Part Number      | Description                   | Remark | Qty | Model                     |
|-----|------------------|-------------------------------|--------|-----|---------------------------|
|     |                  | clutch                        |        |     | 914                       |
| 1   | > 901 116 001 01 | pressure plate                |        | 1   |                           |
| 2   | PCG 116 011 05   | clutch plate<br>215           |        | 1   |                           |
| 3   | 900 027 015 02   | lock ring<br>B 8              |        | 6   |                           |
| 4   | 900 075 078 02   | hexagon-head bolt<br>M 8 X 15 |        | 6   | 914-4/1,7<br>914-1,8V/1,8 |
| (4) | N 010 239 11     | hexagon-head bolt<br>M 8X 18  |        | 6   | 914-2,0                   |

|       |      |    |    |              |              |     |              |            |         |     |         |
|-------|------|----|----|--------------|--------------|-----|--------------|------------|---------|-----|---------|
| Model | Year | MG | SG | Illustration | Restrictions | UPD | 18:14        | 30.01.2010 | PORSCHE | PET | PORSCHE |
| 914   | 1976 | 3  | 01 | 301-10       |              | 248 | USA / CANADA |            |         |     |         |



| Pos | Part Number    | Description                                  | Remark | Qty | Model |
|-----|----------------|--|--------|-----|-------|
|     |                | clutch release                               |        |     |       |
| 1   | 901 116 087 11 | guide tube                                   |        | 1   |       |
| 2   | 900 076 010 02 | hexagon nut<br>M 6                           |        | 2   |       |
| 3   | 900 027 014 01 | lock ring<br>B 6                             |        | 3   |       |
| 4   | 901 116 712 00 | release fork                                 |        | 1   |       |
| 5   | 901 116 741 01 | bush   |        | 1   |       |
| 6   | 901 116 077 01 | retaining bracket                            |        | 1   |       |
| 7   | 900 067 009 02 | pan-head screw<br>M 6 X 15                   |        | 1   |       |
| 8   | 901 116 081 11 | clutch release bearing                       |        | 1   |       |
| 9   | 901 116 825 11 | guide piece<br>for<br>clutch release bearing |        | 2   |       |

|       |      |    |    |              |              |     |              |            |         |     |         |
|-------|------|----|----|--------------|--------------|-----|--------------|------------|---------|-----|---------|
| Model | Year | MG | SG | Illustration | Restrictions | UPD | 18:15        | 30.01.2010 | PORSCHE | PET | PORSCHE |
| 914   | 1976 | 3  | 02 | 302-00       |              | 248 | USA / CANADA |            |         |     |         |



| Pos | Part Number      | Description  | Remark | Qty | Model                       |
|-----|------------------|--|--------|-----|-----------------------------|
| -   | > 914 300 012 03 | replacement transmission<br>transmission case<br>manual transmission<br>complete<br>914.300/01<br>1st gear<br>11:34<br>2nd gear<br>18:32<br>3rd gear<br>23:28<br>4th speed<br>27:25<br>5th gear<br>29:22 |        | 1   | 914-6                       |
| -   | 914 300 012 13   | manual transmission  |        | 1   | 914-4                       |
| -   | 914 300 012 X    | manual transmission<br>exchange<br>complete<br>914.300/11<br>1st gear<br>11:34<br>2nd gear<br>18:34<br>3rd gear<br>23:29<br>4th speed<br>27:25<br>5th gear<br>31:22                                      |        | 1   |                             |
| -   | > 914 300 012 15 | manual transmission<br>complete<br>914.300/12<br>1st gear<br>11:34<br>2nd gear<br>18:34<br>3rd gear<br>23:29<br>4th speed<br>27:25<br>5th gear<br>31:22  |        | 1   | 914-1,7/1,8V<br>914-1,8/2,0 |
| -   | > 914 300 010 05 | transmission   |        | 1   | SPM                         |

|       |      |    |    |              |              |     |              |            |         |     |         |
|-------|------|----|----|--------------|--------------|-----|--------------|------------|---------|-----|---------|
| Model | Year | MG | SG | Illustration | Restrictions | UPD | 18:15        | 30.01.2010 | PORSCHE | PET | PORSCHE |
| 914   | 1976 | 3  | 02 | 302-00       |              | 248 | USA / CANADA |            |         |     |         |

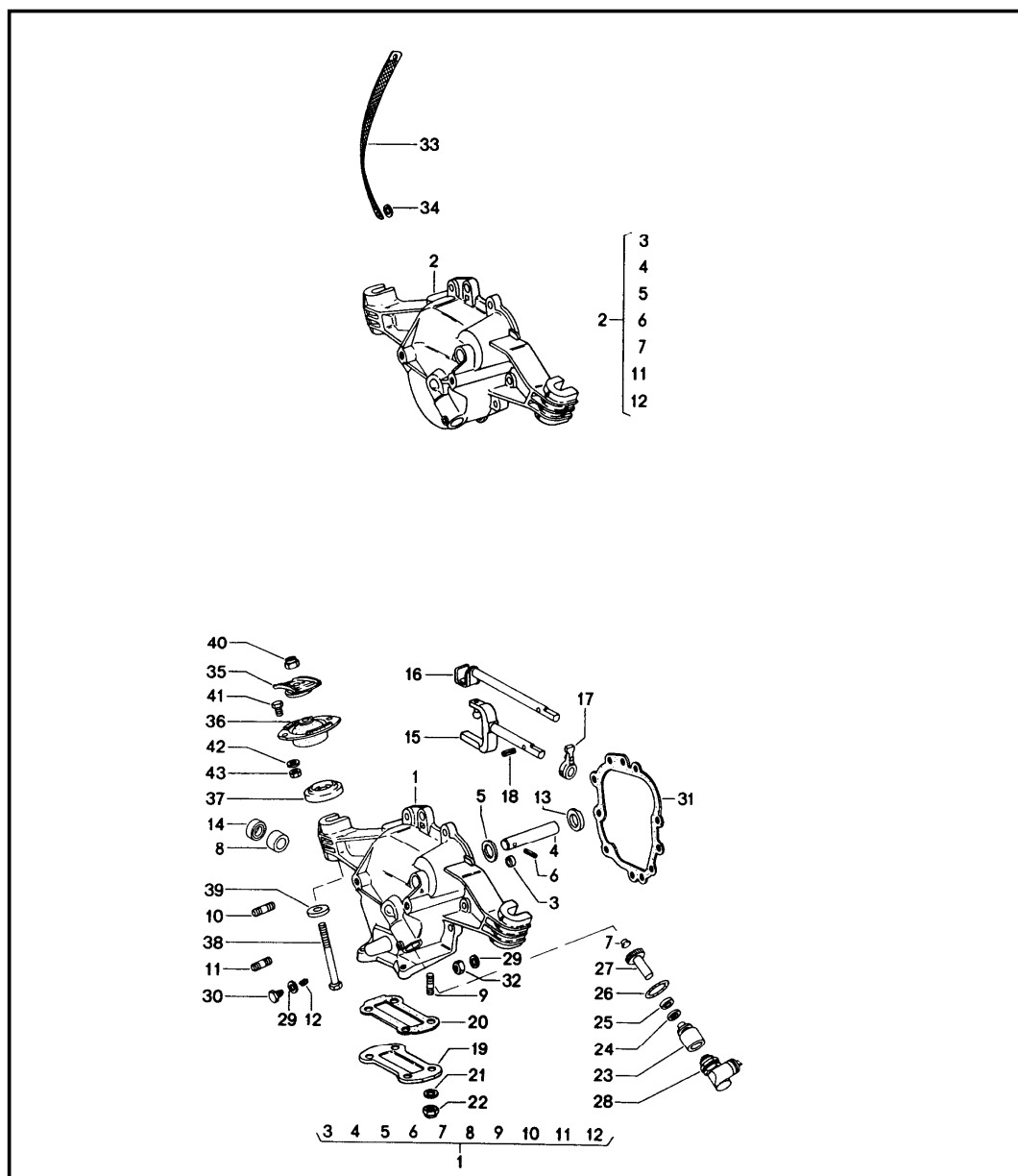
| Pos | Part Number      | Description  | Remark | Qty | Model                       | Pos    | Part Number    | Description                          | Remark | Qty | Model |
|-----|------------------|--|--------|-----|-----------------------------|--------|----------------|--------------------------------------|--------|-----|-------|
| -   | 914 300 010 EX   | transmission exchange with converter ready for installation<br>914.300/05<br>1st gear 15:36<br>2nd gear 20:31<br>3rd gear 24:27<br>4th speed 28:24 |        | 1   |                             | (14) * | 901 301 191 22 | gasket for transmission case 0,15 MM |        | X   |       |
|     |                  |  |        |     |                             | (14) * | 901 301 191 23 | gasket for transmission case 0,2 MM  |        | X   |       |
|     |                  |  |        |     |                             | 15     | 999 042 301 01 | circlip SB 52                        |        | 2   |       |
|     |                  |  |        |     |                             | 16     | 999 041 305 01 | circlip SB 79                        |        | 1   |       |
| 1   | 914 301 010 01   | transmission case  |        | 1   |                             | 17     | 999 064 019 02 | screw plug                           |        | 1   |       |
| 2   | 999 504 040 02   | bush M 8 X 9   |        | 1   |                             | 18     | 999 064 020 02 | screw plug with magnet               |        | 1   |       |
| 3   | 900 025 007 02   | washer 8,4   |        | 1   |                             | 19     | 901 303 017 01 | cam follower                         |        | 1   |       |
| 4   | 901 116 771 01   | ball pin   |        | 1   |                             | 20     | N 012 432 1    | lock washer 2,3                      |        | 1   |       |
| 5   | 900 061 014 02   | stud BM 10 X 22  |        | 1   |                             | 21     | 914 613 541 02 | back-up light switch                 |        | 1   |       |
| 6   | 999 062 046 02   | stud BM 8 X 65   |        | 7   |                             | 22     | 914 613 491 00 | rubber cap                           |        | 1   |       |
| 7   | 999 062 044 02   | stud BM 8 X 32   |        | 10  |                             | 23     | 911 301 221 00 | intermediate plate                   |        | 1   |       |
| 8   | 900 061 057 02   | stud BM 8 X 15   |        | 2   | 914-6/4                     | 24     | 900 012 028 00 | straight pin 10 M 6 X 50             |        | 2   |       |
| 8   | 999 062 007 02   | stud BM 8 X 22   |        | 2   | 914-1,7/1,8V<br>914-1,8/2,0 | 25     | 999 052 016 00 | four-point bearing                   |        | 1   |       |
| 9   | 999 062 001 02   | stud BM 6 X 10   |        | 2   |                             | 26     | 999 053 025 00 | angular-contact bearing two-row      |        | 1   |       |
| 10  | 900 061 163 02   | stud BM 8 X 60   |        | 2   |                             | 27     | 901 301 255 13 | plate                                |        | 1   |       |
| 11  | * 113 311 113 B  | sealing ring   |        | 1   |                             | 28     | 901 301 035 13 | tensioning plate                     |        | 1   |       |
| 12  | * 999 113 183 40 | radial shaft seal 45 X 68 X 10   |        | 2   |                             | 29     | 999 504 049 00 | heli-coil M 8                        |        | 6   |       |
| 13  | 904 301 071 00   | bleeder  |        | 1   |                             | 30     | 900 025 007 02 | washer 8,4                           |        | 6   |       |
| 14  | * 901 301 191 21 | gasket for transmission case 0,1 MM  |        | 1   |                             | 31     | 999 509 010 00 | pan-head screw                       |        | 6   |       |
|     |                  |  |        |     |                             | 32     | 901 303 241 01 | bush for gear lock detent            |        | 1   |       |



|       |      |    |    |              |              |     |              |            |         |     |         |
|-------|------|----|----|--------------|--------------|-----|--------------|------------|---------|-----|---------|
| Model | Year | MG | SG | Illustration | Restrictions | UPD | 18:15        | 30.01.2010 | PORSCHE | PET | PORSCHE |
| 914   | 1976 | 3  | 02 | 302-00       |              | 248 | USA / CANADA |            |         |     |         |

| Pos | Part Number     | Description   | Remark | Qty | Model                                | Pos | Part Number    | Description         | Remark | Qty | Model                                |
|-----|-----------------|---|--------|-----|--------------------------------------|-----|----------------|---------------------|--------|-----|--------------------------------------|
| 33  | 901 303 242 01  | bush<br>for<br>gear lock detent                                 |        | 1   |                                      | 46  | 900 031 005 02 | washer<br>10,5      |        | 2   | 914-6                                |
| 34  | 901 303 243 01  | bush<br>for<br>gear lock detent                                 |        | 1   |                                      | 46  | 900 031 005 02 | washer<br>10,5      |        | 3   | 914-4/1,7<br>914-1,8/1,8V<br>914-2,0 |
| 35  | 900 031 001 02  | washer<br>8,4   |        | 1   |                                      | 47  | N 015 375 1    | lock washer<br>M 10 |        | 2   |                                      |
| 36  | 914 301 307 00  | bolt<br>for<br>reverse lever                                    |        | 1   | 914-6                                | 48  | 900 157 002 02 | hexagon nut<br>M 10 |        | 2   | 914-6                                |
| 37  | N 010 235 3     | hexagon-head bolt<br>M 8 X 10                                   |        | 1   | 914-4/1,7<br>914-1,8/1,8V<br>914-2,0 | 48  | N 011 010 6    | hexagon nut<br>M 10 |        | 3   | 914-4/1,7<br>914-1,8/1,8V<br>914-2,0 |
| 38  | 914 301 311 01  | transmission cover<br>lateral                                   |        | 1   |                                      |     |                |                     |        |     |                                      |
| 39  | * 113 301 185 A | gasket<br>for<br>transmission cover<br>lateral                  |        | 1   |                                      |     |                |                     |        |     |                                      |
| 40  | 900 031 001 02  | washer<br>8,4   |        | 8   |                                      |     |                |                     |        |     |                                      |
| 41  | 999 090 101 02  | mid-grip nut<br>self-locking<br>mount<br>engine<br>transmission |        | 10  |                                      |     |                |                     |        |     |                                      |
| 42  | 900 155 023 02  | hexagon-head bolt<br>M 10 X 72                                  |        | 1   | 914-6                                |     |                |                     |        |     |                                      |
| 42  | 900 155 026 02  | hexagon-head bolt<br>M 10 X 85                                  |        | 1   | 914-4/1,7<br>914-1,8/1,8V<br>914-2,0 |     |                |                     |        |     |                                      |
| 43  | 900 067 074 02  | pan-head screw<br>M 10 X 110                                    |        | 1   | 914-6                                |     |                |                     |        |     |                                      |
| 43  | N 010 500 3     | hexagon-head bolt<br>M 10 X 115                                 |        | 1   | 914-4/1,7<br>914-1,8/1,8V<br>912-2,0 |     |                |                     |        |     |                                      |
| 44  | N 012 242 1     | spring washer<br>B 10 X 18                                      |        | 2   |                                      |     |                |                     |        |     |                                      |
| 45  | N 011 133 1     | hexagon nut<br>M 10   |        | 2   | 914-4/1,7<br>914-1,8/1,8V<br>914-2,0 |     |                |                     |        |     |                                      |

|       |      |    |    |              |              |     |              |            |         |     |         |
|-------|------|----|----|--------------|--------------|-----|--------------|------------|---------|-----|---------|
| Model | Year | MG | SG | Illustration | Restrictions | UPD | 18:15        | 30.01.2010 | PORSCHE | PET | PORSCHE |
| 914   | 1976 | 3  | 02 | 302-05       |              | 248 | USA / CANADA |            |         |     |         |

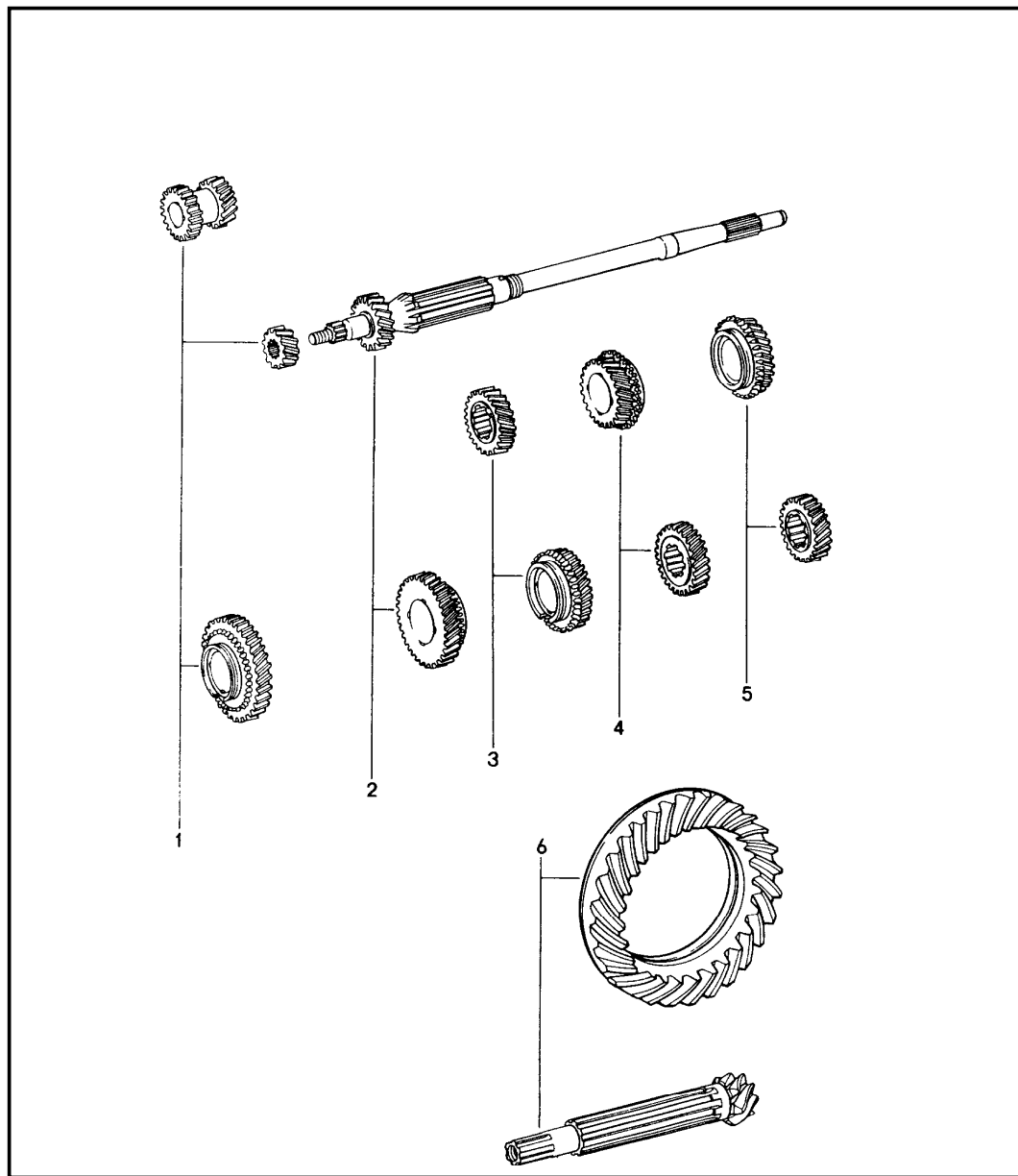


| Pos | Part Number      | Description                                   | Remark | Qty | Model                       |
|-----|------------------|---|--------|-----|-----------------------------|
| 1   | 914 301 031 02   | transmission cover<br>transmission suspension |        | 1   | 914-6                       |
| (1) | 914 301 031 03   | transmission cover<br>rear                    |        | 1   | 914-4                       |
| 2   | 914 301 032 00   | transmission cover<br>rear                    |        | 1   | 914-1,7/1,8V<br>914-1,8/2,0 |
| 3   | 901 318 244 01   | bearing sleeve                                |        | 1   |                             |
| 4   | 901 302 255 01   | bolt<br>for<br>reverse idler gear             |        | 1   |                             |
| 5   | 901 302 296 01   | thrust washer<br>for<br>reverse idler gear    |        | 1   |                             |
| 6   | 900 095 019 01   | tensioning sleeve<br>5 X 30                   |        | 1   |                             |
| 7   | 901 318 273 01   | bolt  |        | 1   |                             |
| 8   | 914 303 121 01   | bush  |        | 1   | 914-6/4                     |
| 9   | 999 062 055 02   | stud<br>BM 6 X 12                             |        | 4   | 914-6/4                     |
| 10  | 900 061 004 02   | stud<br>BM 8 X 12                             |        | 2   | 914-4                       |
| 11  | 900 061 073 02   | stud<br>BM 8 X 16                             |        | 2   |                             |
| 12  | 999 504 070 00   | threaded insert<br>M 8 X 1,0                  |        | 1   |                             |
| 13  | 901 302 266 01   | thrust washer                                 |        | 1   |                             |
| 14  | * 900 112 029 50 | radial sealing ring<br>A 14 X 24 X 7          |        | 1   | 914-6/4                     |
| 15  | 914 303 011 02   | bellcrank                                     |        | 1   | 914-6                       |
| 16  | 914 303 301 01   | bellcrank                                     |        | 1   | 914-4                       |
| 17  | 914 303 013 01   | gearshift lever                               |        | 1   | 914-6/4                     |
| 18  | 900 309 003 00   | roll pin<br>5 X 24                            |        | 1   | 914-6/4                     |

|       |      |    |    |              |              |     |              |            |         |     |         |
|-------|------|----|----|--------------|--------------|-----|--------------|------------|---------|-----|---------|
| Model | Year | MG | SG | Illustration | Restrictions | UPD | 18:15        | 30.01.2010 | PORSCHE | PET | PORSCHE |
| 914   | 1976 | 3  | 02 | 302-05       |              | 248 | USA / CANADA |            |         |     |         |

| Pos | Part Number      | Description                              | Remark | Qty | Model                                | Pos | Part Number    | Description                           | Remark | Qty | Model |
|-----|------------------|--|--------|-----|--------------------------------------|-----|----------------|---------------------------------------|--------|-----|-------|
| 19  | 914 301 313 00   | lid<br>for<br>transmission cover<br>rear |        | 1   | 914-6/4                              | 37  | 914 375 237 00 | washer<br>lower                       |        | 2   |       |
| 20  | * 914 301 391 00 | gasket                                   |        | 1   | 914-6/4                              | 38  | 900 082 044 02 | hexagon-head bolt<br>M 12 X 1,5 X 125 |        | 2   |       |
| 21  | 999 025 108 02   | washer<br>6,4 X 14                       |        | 4   | 914-6/4                              | 39  | 914 375 239 00 | washer                                |        | 2   |       |
| 22  | 999 084 018 02   | lock nut<br>U 105.6                      |        | 4   | 914-6/4                              | 40  | N 021 191 5    | lock nut<br>M 12 X 1,5                |        | 2   |       |
| 23  | 901 318 243 12   | guide bush                               |        | 1   |                                      | 41  | 900 075 085 02 | hexagon-head bolt<br>M 8 X 20         |        | 4   |       |
| 24  | 914 318 261 01   | sealing washer                           |        | 1   |                                      | 42  | 900 025 007 02 | washer<br>8,4                         |        | 4   |       |
| 25  | * 999 113 036 50 | radial sealing ring<br>BA 10 X 18 X 6    |        | 1   |                                      | 43  | 900 910 022 02 | hexagon nut                           |        | 4   |       |
| 26  | * 999 701 084 50 | o-ring<br>25,3 - 2,4                     |        | 1   |                                      |     |                |                                       |        |     |       |
| 27  | 901 318 333 01   | shaft<br>for<br>speedometer drive        |        | 1   | 914-6                                |     |                |                                       |        |     |       |
| 27  | 914 318 333 10   | shaft<br>for<br>speedometer drive        |        | 1   | 914-4/1,7<br>914-1,8/1,8V<br>914-2,0 |     |                |                                       |        |     |       |
| 28  | 914 318 029 01   | angled pipe                              |        | 1   |                                      |     |                |                                       |        |     |       |
| 29  | 900 031 001 02   | washer<br>8,4                            |        | 9   |                                      |     |                |                                       |        |     |       |
| 30  | 901 318 272 03   | hexagon-head bolt                        |        | 1   |                                      |     |                |                                       |        |     |       |
| 31  | * 901 301 392 12 | gasket<br>for<br>transmission cover      |        | 1   |                                      |     |                |                                       |        |     |       |
| 32  | 999 090 101 02   | mid-grip nut                             |        | 9   |                                      |     |                |                                       |        |     |       |
| 33  | 999 611 919 20   | ground strap                             |        | 1   |                                      |     |                |                                       |        |     |       |
| 34  | 999 151 022 02   | washer<br>20 X 8,4 X 2                   |        | 2   |                                      |     |                |                                       |        |     |       |
| 35  | 914 375 058 01   | base<br>upper                            |        | 2   |                                      |     |                |                                       |        |     |       |
| 36  | 914 375 026 00   | transmission mounting                    |        | 2   | 914-6                                |     |                |                                       |        |     |       |
| 36  | 914 375 025 00   | transmission mounting                    |        | 2   |                                      |     |                |                                       |        |     |       |

|       |      |    |    |              |              |     |              |            |         |     |         |
|-------|------|----|----|--------------|--------------|-----|--------------|------------|---------|-----|---------|
| Model | Year | MG | SG | Illustration | Restrictions | UPD | 18:15        | 30.01.2010 | PORSCHE | PET | PORSCHE |
| 914   | 1976 | 3  | 03 | 303-00       |              | 248 | USA / CANADA |            |         |     |         |

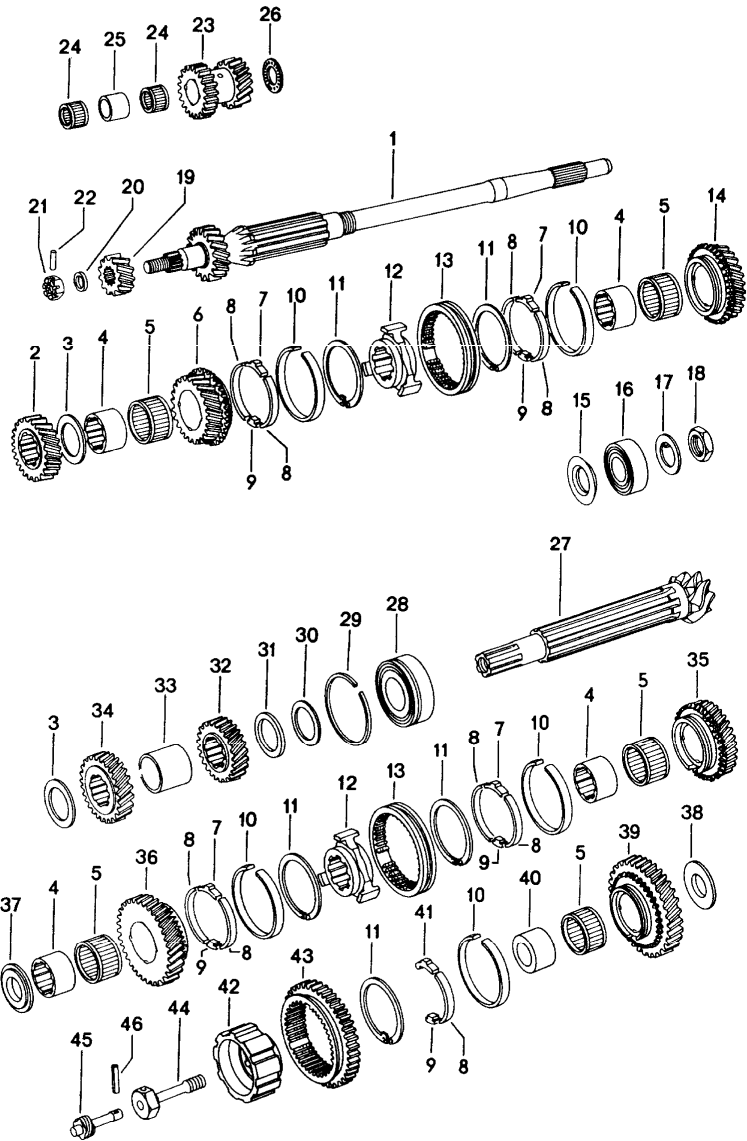


| Pos | Part Number    | Description   | Remark | Qty | Model                                  |
|-----|----------------|---|--------|-----|--|
|     |                | gear wheel sets<br>for<br>5-speed<br>transmission   |        |     | 914.300/01<br>914.300/11<br>914.300/12 |
| 1   | 911 302 903 00 | gear set<br>1st gear<br>Z = 11:34 (A)<br>fixed gear wheel<br>loose gear wheel<br>reverse idler gear     |        | 1   |  |
| 2   | 911 302 907 00 | drive shaft<br>and<br>gear wheel<br>II<br>2nd gear<br>Z = 18:32 (GA)<br>drive shaft<br>loose gear wheel |        | 1   | 914-6                                  |
| 2   | 016 311 103    | drive shaft<br>and<br>gear wheel<br>II<br>2nd gear<br>Z = 18:34<br>drive shaft<br>loose gear wheel      |        | 1   |  |
| 3   | 904 302 916 10 | gear wheel pair<br>3rd gear<br>Z = 23:28 (O/3)<br>fixed gear wheel<br>loose gear wheel                  |        | 1   | 914-6                                  |
| 3   | 904 302 916 10 | gear wheel pair<br>3rd gear<br>Z = 23:28<br>fixed gear wheel<br>loose gear wheel                        |        | 1   |  |
| 4   | 904 302 930 10 | gear wheel pair<br>4th speed<br>Z = 27.25 (V)<br>fixed gear wheel<br>loose gear wheel                   |        | 1   |  |
| 5   | 911 302 906 00 | gear wheel pair<br>5th gear<br>Z = 29:22 (ZA)<br>fixed gear wheel<br>loose gear wheel                   |        | 1   | 914-6                                  |

|       |      |    |    |              |              |     |              |            |         |     |         |
|-------|------|----|----|--------------|--------------|-----|--------------|------------|---------|-----|---------|
| Model | Year | MG | SG | Illustration | Restrictions | UPD | 18:15        | 30.01.2010 | PORSCHE | PET | PORSCHE |
| 914   | 1976 | 3  | 03 | 303-00       |              | 248 | USA / CANADA |            |         |     |         |

| Pos | Part Number    | Description  | Remark | Qty | Model | Pos | Part Number | Description | Remark | Qty | Model |
|-----|----------------|--|--------|-----|-------|-----|-------------|-------------|--------|-----|-------|
| 5   | 016 311 359    | gear wheel pair<br>5th gear<br>Z = 31:22<br>fixed gear wheel<br>loose gear wheel |        | 1   |       |     |             |             |        |     |       |
| 6   | 901 302 901 02 | ring gear and pinion shaft<br>7:31   |        | 1   |       |     |             |             |        |     |       |

|       |      |    |    |              |              |     |              |            |         |     |         |
|-------|------|----|----|--------------|--------------|-----|--------------|------------|---------|-----|---------|
| Model | Year | MG | SG | Illustration | Restrictions | UPD | 18:15        | 30.01.2010 | PORSCHE | PET | PORSCHE |
| 914   | 1976 | 3  | 03 | 303-05       |              | 248 | USA / CANADA |            |         |     |         |



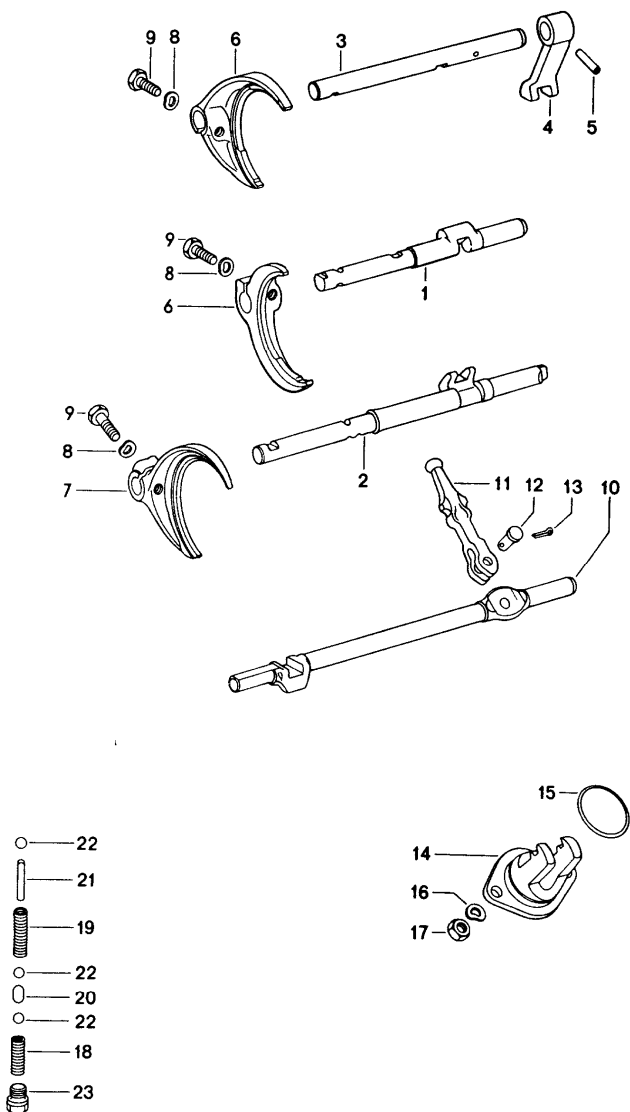
| Pos  | Part Number    | Description                             | Remark | Qty | Model |
|------|----------------|---|--------|-----|-------|
|      |                | gears and shafts                        |        |     |       |
|      |                | gear wheel sets<br>see group<br>3/03/00 |        |     |       |
| 1 *  | ---            | drive shaft                             |        | 1   |       |
| 2 *  | ---            | fixed gear wheel<br>3rd gear            |        | 1   |       |
| 3    | 901 302 294 01 | thrust washer                           |        | 2   |       |
| 4    | 901 302 261 01 | bush<br>for<br>needle-roller bearing    |        | 4   |       |
| 5    | 999 201 470 00 | needle cage<br>2. -<br>5th gear         |        | 5   |       |
| 6 *  | ---            | loose gear wheel<br>4th speed           |        | 1   |       |
| 7    | 911 302 315 00 | stone<br>2. -<br>5th gear               |        | 4   |       |
| 8    | 911 302 316 00 | brake band<br>1. -<br>5th gear          |        | 9   |       |
| 9    | 911 302 317 01 | stop<br>1. -<br>5th gear                |        | 5   |       |
| 10   | 911 302 301 06 | synchroniser ring<br>1. -<br>5th gear   |        | 5   |       |
| 11   | 911 302 311 01 | circlip<br>1. -<br>5th gear             |        | 5   |       |
| 12   | 901 302 402 02 | guide sleeve<br>2. -<br>5th gear        |        | 2   |       |
| 13   | 911 302 411 10 | shift sleeve<br>2. -<br>5th gear        |        | 2   |       |
| 14 * | ---            | loose gear wheel<br>5th gear            |        | 1   |       |

|       |      |    |    |              |              |     |              |            |         |     |         |
|-------|------|----|----|--------------|--------------|-----|--------------|------------|---------|-----|---------|
| Model | Year | MG | SG | Illustration | Restrictions | UPD | 18:15        | 30.01.2010 | PORSCHE | PET | PORSCHE |
| 914   | 1976 | 3  | 03 | 303-05       |              | 248 | USA / CANADA |            |         |     |         |

| Pos | Part Number      | Description                   | Remark | Qty | Model | Pos | Part Number      | Description   | Remark | Qty | Model                                |
|-----|------------------|-------------------------------|--------|-----|-------|-----|------------------|---|--------|-----|--------------------------------------|
| 15  | 901 302 268 01   | spacer                        |        | 1   |       | 37  | 901 302 269 01   | thrust washer   |        | 1   |                                      |
| 16  | 999 110 008 00   | cylindrical-roller bearing    |        | 1   |       | 38  | 901 302 291 01   | thrust washer   |        | 1   |                                      |
| 17  | 999 038 001 00   | tab washer                    |        | 1   |       | 39  | * --- --- --- -- | loose gear wheel<br>1st gear                            |        | 1   |                                      |
| 18  | 999 183 001 00   | hexagon nut                   |        | 1   |       | 40  | 901 302 262 01   | bush<br>for<br>needle-roller bearing<br>1st gear        |        | 1   |                                      |
| 19  | * --- --- --- -- | fixed gear wheel<br>1st gear  |        | 1   |       | 41  | 901 302 318 02   | stone<br>1st gear                                       |        | 1   |                                      |
| 20  | 999 031 066 00   | washer                        |        | 1   |       | 42  | 901 302 401 02   | guide sleeve<br>1st gear                                |        | 1   |                                      |
| 21  | 999 079 011 02   | castle nut                    |        | 1   |       | 43  | 911 302 226 00   | shifting gear<br>for<br>1st gear<br>and<br>reverse gear |        | 1   |                                      |
| 22  | 900 309 004 00   | roll pin<br>3 X 18            |        | 1   |       | 44  | 901 302 271 01   | elastic bolt  |        | 1   |                                      |
| 23  | * --- --- --- -- | reverse idler gear            |        | 1   |       | 45  | 901 318 331 01   | shaft   |        | 1   | 914-6                                |
| 24  | 999 201 012 00   | needle cage                   |        | 2   |       | 45  | 914 318 331 10   | shaft   |        | 1   | 914-4/1,7<br>914-1,8/1,8V<br>914-2,0 |
| 25  | 901 302 263 01   | sleeve                        |        | 1   |       | 46  | 900 197 002 00   | tensioning sleeve<br>4 X 28                             |        | 1   |                                      |
| 26  | 999 202 001 00   | axial needle bearing cage     |        | 1   |       |     |                  |   |        |     |                                      |
| 27  | * --- --- --- -- | drive shaft                   |        | 1   |       |     |                  |   |        |     |                                      |
| 28  | 999 110 007 00   | cylindrical-roller bearing    |        | 1   |       |     |                  |   |        |     |                                      |
| 29  | 900 111 002 00   | circlip<br>SP 72              |        | 1   |       |     |                  |   |        |     |                                      |
| 30  | 901 302 297 01   | adjusting shim<br>0,25 MM     |        | X   |       |     |                  |   |        |     |                                      |
| 30  | 901 302 297 11   | adjusting shim<br>0,30 MM     |        | X   |       |     |                  |   |        |     |                                      |
| 30  | 901 302 297 21   | adjusting shim<br>0,40 MM     |        | X   |       |     |                  |   |        |     |                                      |
| 31  | 901 302 298 01   | spacer                        |        | 1   |       |     |                  |   |        |     |                                      |
| 32  | * --- --- --- -- | fixed gear wheel<br>5th gear  |        | 1   |       |     |                  |   |        |     |                                      |
| 33  | 901 302 265 01   | spacer sleeve                 |        | 1   |       |     |                  |   |        |     |                                      |
| 34  | * --- --- --- -- | fixed gear wheel<br>4th speed |        | 1   |       |     |                  |   |        |     |                                      |
| 35  | * --- --- --- -- | loose gear wheel<br>3rd gear  |        | 1   |       |     |                  |   |        |     |                                      |
| 36  | * --- --- --- -- | loose gear wheel<br>2nd gear  |        | 1   |       |     |                  |   |        |     |                                      |

|       |      |    |    |              |              |     |              |            |         |     |         |
|-------|------|----|----|--------------|--------------|-----|--------------|------------|---------|-----|---------|
| Model | Year | MG | SG | Illustration | Restrictions | UPD | 18:15        | 30.01.2010 | PORSCHE | PET | PORSCHE |
| 914   | 1976 | 3  | 04 | 304-00       |              | 248 | USA / CANADA |            |         |     |         |

Bis Ende Mod. 72



| Pos  | Part Number      | Description   | Remark | Qty | Model                    |
|------|------------------|---|--------|-----|--------------------------|
|      |                  | shift rods<br>shift forks<br>for<br>5-speed<br>transmission | -72    |     | 914.300/01<br>914.300/11 |
| 1    | 901 303 101 01   | gear shift rod<br>2. -<br>3rd gear                          |        | 1   |                          |
| 2    | 914 303 141 00   | gear shift rod<br>1st gear<br>and<br>reverse gear           |        | 1   |                          |
| 3    | 901 303 103 01   | gear shift rod<br>4. -<br>5th gear                          |        | 1   |                          |
| 4    | 901 303 161 01   | contact   |        | 1   |                          |
| 5    | 900 309 003 00   | roll pin<br>5 X 24  |        | 1   |                          |
| 6    | 901 303 111 01   | shift fork<br>2. -<br>5th gear                              |        | 2   |                          |
| 7    | 901 303 151 01   | shift fork<br>1st gear<br>and<br>reverse gear               |        | 1   |                          |
| 8    | N 012 241 1      | spring washer<br>B 8 X 15                                   |        | 3   |                          |
| 9    | 900 075 083 02   | hexagon-head bolt<br>B 8 X 25                               |        | 3   |                          |
| 10   | 914 303 131 01   | gear shift rod  |        | 1   |                          |
| 11   | 901 303 133 01   | shift lever   |        | 1   |                          |
| 12   | 901 303 171 01   | bolt  |        | 1   |                          |
| 13   | N 012 512 1      | cotter pin<br>2 X 12  |        | 1   |                          |
| 14   | 911 303 129 00   | fork  |        | 1   |                          |
| 15   | * 999 701 359 40 | o-ring  |        | 1   |                          |
| (15) | * 901 303 191 01 | gasket  |        | 1   |                          |
| 16   | 900 027 015 02   | lock ring<br>B 8  |        | 2   |                          |



|       |      |    |    |              |              |     |              |            |         |     |         |
|-------|------|----|----|--------------|--------------|-----|--------------|------------|---------|-----|---------|
| Model | Year | MG | SG | Illustration | Restrictions | UPD | 18:15        | 30.01.2010 | PORSCHE | PET | PORSCHE |
| 914   | 1976 | 3  | 04 | 304-00       |              | 248 | USA / CANADA |            |         |     |         |

| Pos | Part Number    | Description   | Remark | Qty | Model | Pos | Part Number | Description | Remark | Qty | Model |
|-----|----------------|---|--------|-----|-------|-----|-------------|-------------|--------|-----|-------|
| 17  | 900 076 025 02 | hexagon nut<br>M 8  |        | 2   |       |     |             |             |        |     |       |
| 18  | 901 303 231 01 | spring<br>reversing gear lock                                     |        | 1   |       |     |             |             |        |     |       |
| 19  | 901 303 232 01 | compression spring<br>for<br>gear lock detent<br>2. -<br>5th gear |        | 1   |       |     |             |             |        |     |       |
| 20  | 901 303 211 01 | detent  |        | 1   |       |     |             |             |        |     |       |
| 21  | 901 303 271 01 | pin   |        | 1   |       |     |             |             |        |     |       |
| 22  | N 025 667 2    | ball<br>9 MM  |        | 3   |       |     |             |             |        |     |       |
| 23  | 999 065 004 02 | screw plug  |        | 1   |       |     |             |             |        |     |       |

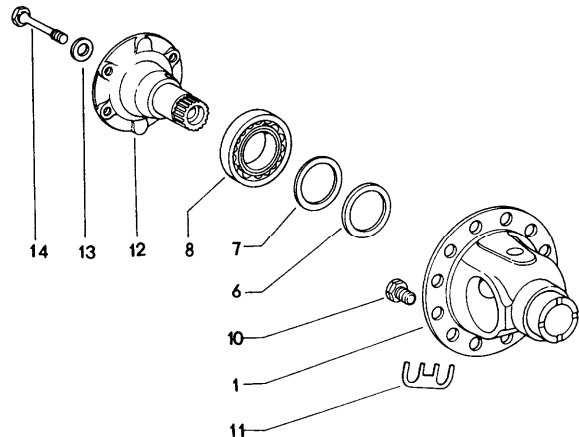
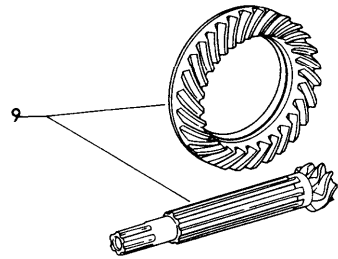
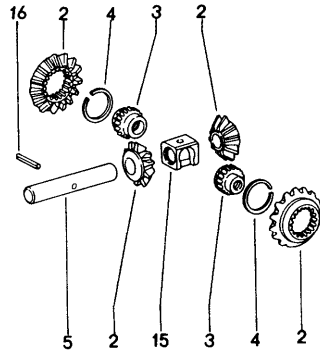
|       |      |    |    |              |              |     |              |            |         |     |         |
|-------|------|----|----|--------------|--------------|-----|--------------|------------|---------|-----|---------|
| Model | Year | MG | SG | Illustration | Restrictions | UPD | 18:16        | 30.01.2010 | PORSCHE | PET | PORSCHE |
| 914   | 1976 | 3  | 04 | 304-05       |              | 248 | USA / CANADA |            |         |     |         |

| Ab Mod. 73 |  | Pos | Part Number      | Description                                       | Remark | Qty | Model      |
|------------|--|-----|------------------|---|--------|-----|------------|
|            |  | 1   | 914 303 103 00   | gear shift rod<br>2. -<br>3rd gear                |        | 1   | 914.300/12 |
|            |  | 2   | 914 303 141 02   | gear shift rod<br>1st gear<br>and<br>reverse gear |        | 1   |            |
|            |  | 3   | 901 303 103 01   | gear shift rod<br>4. -<br>5th gear                |        | 1   |            |
|            |  | 4   | 914 303 161 00   | contact   |        | 1   |            |
|            |  | 5   | 900 309 003 00   | roll pin<br>5 X 24                                |        | 1   |            |
|            |  | 6   | 901 303 111 01   | shift fork<br>2. -<br>5th gear                    |        | 2   |            |
|            |  | 7   | 901 303 151 01   | shift fork<br>1st gear<br>and<br>reverse gear     |        | 1   |            |
|            |  | 8   | N 012 241 1      | spring washer<br>B 8 X 15                         |        | 3   |            |
|            |  | 9   | 900 075 083 02   | hexagon-head bolt<br>M 8 X 25                     |        | 3   |            |
|            |  | 10  | 914 303 127 01   | bearing bracket                                   |        | 1   |            |
|            |  | 11  | 914 303 273 00   | bush  |        | 1   |            |
|            |  | 12  | * 900 112 001 50 | shaft sealing ring<br>B 15 X 24 X 7               |        | 1   |            |
|            |  | 13  | 914 303 115 01   | shift rod   |        | 1   |            |
|            |  | 14  | 914 303 117 00   | shift finger                                      |        | 1   |            |
|            |  | 15  | 914 303 171 00   | washer<br>upper                                   |        | 1   |            |
|            |  | 16  | 900 309 008 00   | roll pin<br>6 X 24                                |        | 1   |            |
|            |  | 17  | 914 303 129 00   | ball pin  |        | 1   |            |

|       |      |    |    |              |              |     |              |            |         |     |         |
|-------|------|----|----|--------------|--------------|-----|--------------|------------|---------|-----|---------|
| Model | Year | MG | SG | Illustration | Restrictions | UPD | 18:16        | 30.01.2010 | PORSCHE | PET | PORSCHE |
| 914   | 1976 | 3  | 04 | 304-05       |              | 248 | USA / CANADA |            |         |     |         |

| Pos | Part Number      | Description   | Remark | Qty | Model | Pos | Part Number | Description | Remark | Qty | Model |
|-----|------------------|---|--------|-----|-------|-----|-------------|-------------|--------|-----|-------|
| 18  | 914 303 173 00   | washer<br>lower   |        | 1   |       |     |             |             |        |     |       |
| 19  | 900 309 001 00   | roll pin<br>6 X 32  |        | 1   |       |     |             |             |        |     |       |
| 20  | * 999 701 359 40 | o-ring<br>OR 40 X 1,5   |        | 1   |       |     |             |             |        |     |       |
| 21  | 900 031 001 02   | washer<br>8,4   |        | 2   |       |     |             |             |        |     |       |
| 22  | 999 090 101 02   | mid-grip nut  |        | 2   |       |     |             |             |        |     |       |
| 23  | 901 303 231 01   | spring<br>reversing gear lock                                     |        | 1   |       |     |             |             |        |     |       |
| 24  | 901 303 232 01   | compression spring<br>for<br>gear lock detent<br>2. -<br>5th gear |        | 1   |       |     |             |             |        |     |       |
| 25  | 901 303 211 01   | detent<br>for<br>gear lock detent                                 |        | 1   |       |     |             |             |        |     |       |
| 26  | 901 303 271 01   | pin<br>for<br>gear lock detent                                    |        | 1   |       |     |             |             |        |     |       |
| 27  | N 025 667 2      | ball<br>9 MM  |        | 3   |       |     |             |             |        |     |       |
| 28  | 999 065 004 02   | screw plug  |        | 1   |       |     |             |             |        |     |       |
| 29  | 914 424 224 02   | friction ring   |        | 1   |       |     |             |             |        |     |       |

|       |      |    |    |              |              |     |              |            |         |     |         |
|-------|------|----|----|--------------|--------------|-----|--------------|------------|---------|-----|---------|
| Model | Year | MG | SG | Illustration | Restrictions | UPD | 18:16        | 30.01.2010 | PORSCHE | PET | PORSCHE |
| 914   | 1976 | 3  | 05 | 305-00       |              | 248 | USA / CANADA |            |         |     |         |

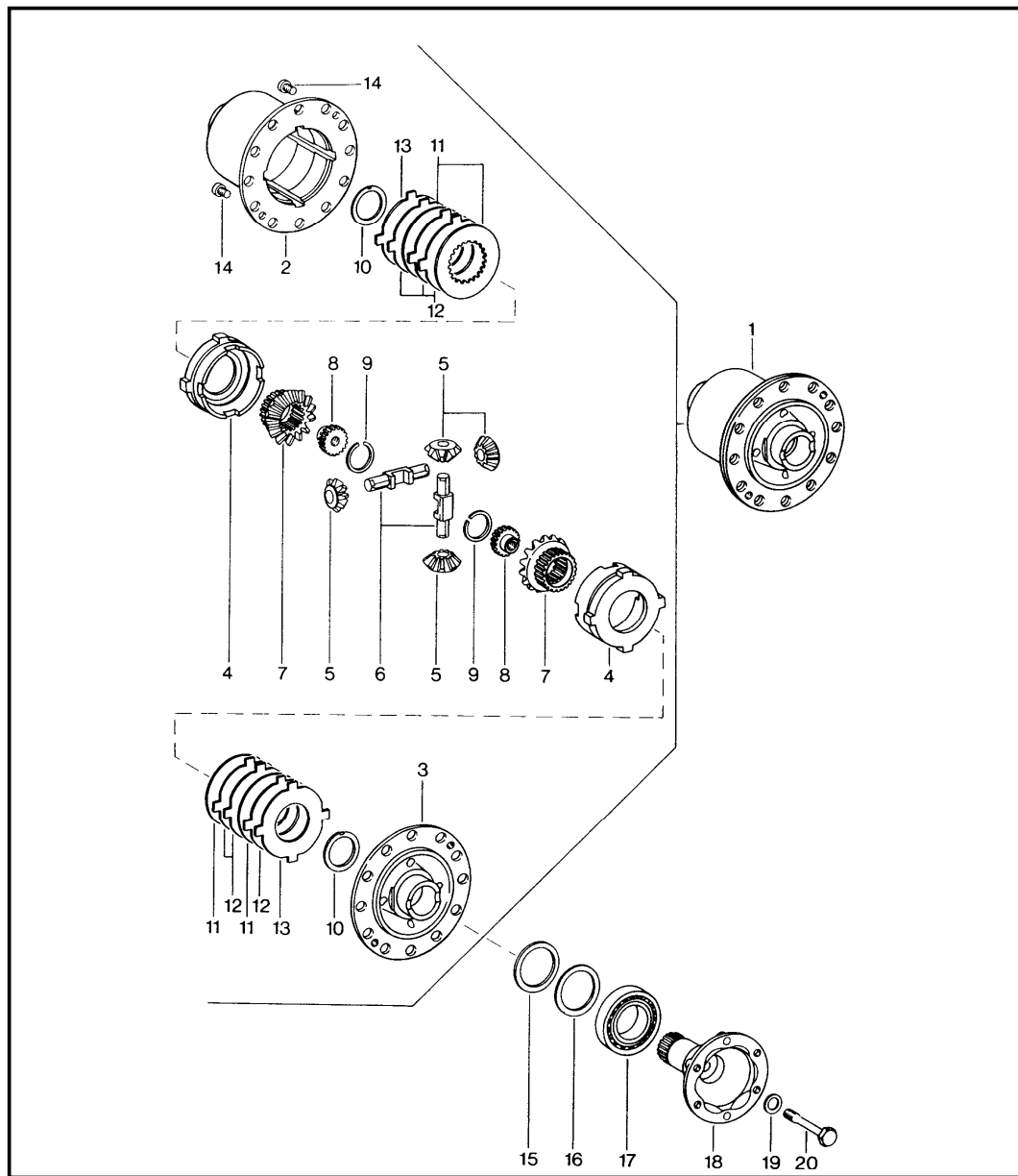


| Pos | Part Number    | Description                      | Remark | Qty | Model                                |
|-----|----------------|----------------------------------|--------|-----|--------------------------------------|
|     |                | differential manual transmission |        |     |                                      |
|     |                | differential SPM                 |        |     |                                      |
|     |                | see group 3/10/00                |        |     |                                      |
| 1   | 911 332 212 00 | housing                          |        | 1   | 914-6                                |
| 1   | 914 332 212 00 | transmission case                |        | 1   |                                      |
| 2   | 911 332 902 00 | differential pinions 1 set       |        | 1   | 914-6                                |
| 2   | 911 332 902 00 | differential pinions             | WW     | 1   |                                      |
| 2   | 016 598 081    | 1 set differential pinions       |        | 1   | 914-4/1,7<br>914-1,8/1,8V<br>914-2,0 |
| 3   | 911 332 206 01 | threaded piece                   |        | 2   |                                      |
| 4   | 999 152 014 00 | circlip SW 32                    |        | 2   | 914-6                                |
| 4   | N 023 632 1    | circlip A 32 X 1,5               |        | 2   |                                      |
| 5   | 911 332 207 00 | differential bolt                |        | 1   |                                      |
| 6   | 915 332 265 00 | adjusting ring 2,4 MM            |        | X   |                                      |
| 6   | 915 332 265 01 | adjusting ring 2,5 MM            |        | X   |                                      |
| 6   | 915 332 265 02 | adjusting ring 2,6 MM            |        | X   |                                      |
| 6   | 915 332 265 03 | adjusting ring 2,7 MM            |        | X   |                                      |
| 6   | 915 332 265 04 | adjusting ring 2,8 MM            |        | X   |                                      |
| 6   | 915 332 265 05 | adjusting ring 2,9 MM            |        | X   |                                      |
| 6   | 915 332 265 06 | adjusting ring 3,0 MM            |        | X   |                                      |
| 6   | 915 332 265 07 | adjusting ring 3,1 MM            |        | X   |                                      |
| 6   | 915 332 265 08 | adjusting ring 3,2 MM            |        | X   |                                      |

|       |      |    |    |              |              |     |              |            |         |     |         |
|-------|------|----|----|--------------|--------------|-----|--------------|------------|---------|-----|---------|
| Model | Year | MG | SG | Illustration | Restrictions | UPD | 18:16        | 30.01.2010 | PORSCHE | PET | PORSCHE |
| 914   | 1976 | 3  | 05 | 305-00       |              | 248 | USA / CANADA |            |         |     |         |

| Pos  | Part Number    | Description   | Remark | Qty | Model | Pos | Part Number | Description | Remark | Qty | Model |
|------|----------------|---|--------|-----|-------|-----|-------------|-------------|--------|-----|-------|
| 6    | 915 332 265 09 | adjusting ring<br>3,3 MM  |        | X   |       |     |             |             |        |     |       |
| 6    | 915 332 265 10 | adjusting ring<br>3,4 MM  |        | X   |       |     |             |             |        |     |       |
| 6    | 915 332 265 11 | adjusting ring<br>3,5 MM  |        | X   |       |     |             |             |        |     |       |
| 6    | 915 332 265 12 | adjusting ring<br>3,6 MM  |        | X   |       |     |             |             |        |     |       |
| 6    | 915 332 265 13 | adjusting ring<br>3,7 MM  |        | X   |       |     |             |             |        |     |       |
| 7    | 915 332 263 00 | washer  |        | 2   |       |     |             |             |        |     |       |
| 8    | 999 059 027 00 | taper roller bearing  |        | 2   |       |     |             |             |        |     |       |
| 9    | 901 302 901 02 | gear set<br>drive shaft<br>and<br>seat<br>7 : 31                                    |        | 1   |       |     |             |             |        |     |       |
| 10   | 901 332 276 00 | hexagon-head bolt<br>M 12 X 1,5   |        | 12  |       |     |             |             |        |     |       |
| (10) | 915 332 276 00 | hexagon-head bolt<br>M 12 X 1,25  |        | 12  |       |     |             |             |        |     |       |
| (10) | 901 332 276 11 | hexagon-head bolt<br>M 12 X 1,5<br>only together with<br>limited-slip differential  |        | 12  |       |     |             |             |        |     |       |
| (10) | 928 332 276 03 | hexagon-head bolt<br>M 12 X 1,25<br>only together with<br>limited-slip differential |        | 12  |       |     |             |             |        |     |       |
| 11   | 901 332 285 01 | tab washer  |        | 6   |       |     |             |             |        |     |       |
| 12   | 914 332 209 01 | joint flange  |        | 2   |       |     |             |             |        |     |       |
| 13   | 901 332 261 11 | washer  |        | 2   | 914-6 |     |             |             |        |     |       |
| 13   | 914 332 261 00 | washer  |        | 2   |       |     |             |             |        |     |       |
| 14   | 901 332 275 12 | elastic bolt  |        | 2   |       |     |             |             |        |     |       |
| 15   | 911 332 208 00 | armature  |        | 1   |       |     |             |             |        |     |       |
| 16   | 900 308 005 00 | roll pin<br>6 X 28  |        | 1   | 914-6 |     |             |             |        |     |       |
| 16   | N 022 055 1    | roll pin  |        | 1   |       |     |             |             |        |     |       |

|       |      |    |    |              |              |     |              |            |         |     |         |
|-------|------|----|----|--------------|--------------|-----|--------------|------------|---------|-----|---------|
| Model | Year | MG | SG | Illustration | Restrictions | UPD | 18:16        | 30.01.2010 | PORSCHE | PET | PORSCHE |
| 914   | 1976 | 3  | 05 | 305-05       |              | 248 | USA / CANADA |            |         |     |         |



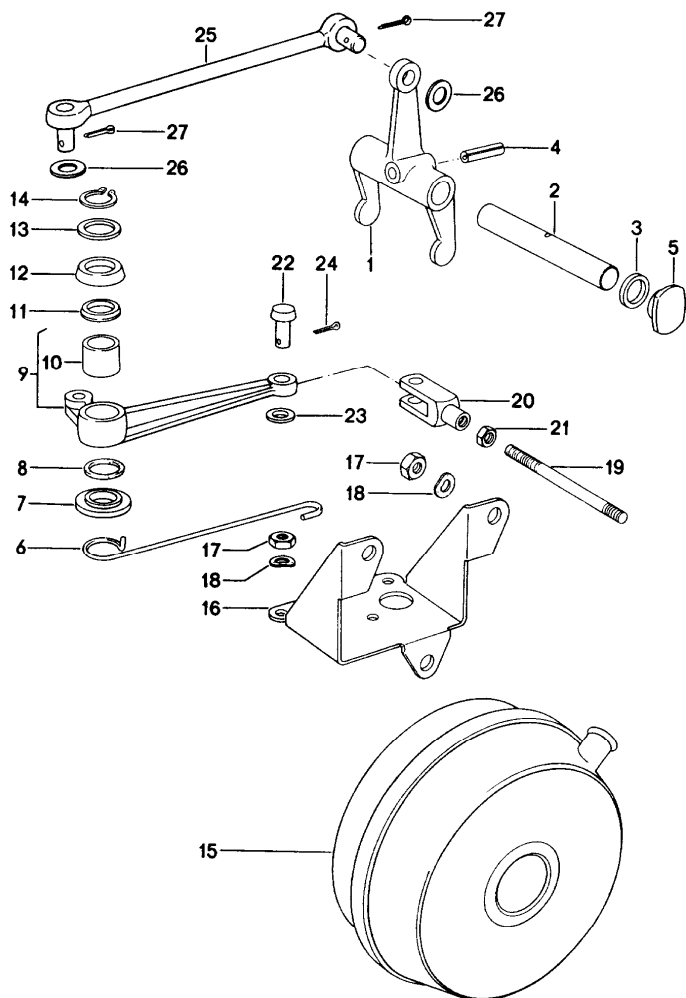
| Pos  | Part Number    | Description                    | Remark | Qty | Model |
|------|----------------|--------------------------------|--------|-----|-------|
|      |                | limited-slip differential      |        |     |       |
| 1    | 901 332 053 13 | limited-slip differential      |        | 1   |       |
| 2    | 901 332 055 13 | housing                        |        | 1   |       |
| 3    | 901 332 506 11 | lid                            |        | 1   |       |
| 4    | 901 332 511 11 | thrust ring                    |        | 2   |       |
| 5    | 915 332 531 02 | bevel pinion                   |        | 4   |       |
| 6    | 915 332 541 02 | differential shaft             |        | 2   |       |
| 7    | 901 332 535 11 | shaft bevel gear               |        | 2   |       |
| 8    | 901 332 206 12 | threaded piece                 |        | 2   |       |
| 9    | 999 152 014 00 | circlip<br>SW 32               |        | 2   |       |
| 10   | 901 332 561 11 | thrust washer                  |        | 2   |       |
| 11   | 928 332 551 00 | inner disc<br>2,0 MM<br>2,1 MM |        | 4   |       |
| 12   | 901 332 552 11 | disc with external splines     |        | 6   |       |
| 13   | 928 332 555 00 | cup spring                     |        | 2   |       |
| 14   | 900 119 002 00 | pan-head screw<br>M 6 X 10     |        | 2   |       |
| 15   | 915 332 263 00 | adjusting ring<br>0,25 MM      |        | 2   |       |
| 16   | 915 332 265 00 | adjusting ring<br>2,4 MM       |        | X   |       |
| (16) | 915 332 265 01 | adjusting ring<br>2,5 MM       |        | X   |       |
| (16) | 915 332 265 02 | adjusting ring<br>2,6 MM       |        | X   |       |
| (16) | 915 332 265 03 | adjusting ring<br>2,7 MM       |        | X   |       |
| (16) | 915 332 265 04 | adjusting ring<br>2,8 MM       |        | X   |       |
| (16) | 915 332 265 05 | adjusting ring<br>2,9 MM       |        | X   |       |

|       |      |    |    |              |              |     |              |            |         |     |         |
|-------|------|----|----|--------------|--------------|-----|--------------|------------|---------|-----|---------|
| Model | Year | MG | SG | Illustration | Restrictions | UPD | 18:16        | 30.01.2010 | PORSCHE | PET | PORSCHE |
| 914   | 1976 | 3  | 05 | 305-05       |              | 248 | USA / CANADA |            |         |     |         |

| Pos  | Part Number    | Description              | Remark | Qty | Model | Pos | Part Number | Description | Remark | Qty | Model |
|------|----------------|--------------------------|--------|-----|-------|-----|-------------|-------------|--------|-----|-------|
| (16) | 915 332 265 06 | adjusting ring<br>3,0 MM |        | X   |       |     |             |             |        |     |       |
| (16) | 915 332 265 07 | adjusting ring<br>3,1 MM |        | X   |       |     |             |             |        |     |       |
| (16) | 915 332 265 08 | adjusting ring<br>3,2 MM |        | X   |       |     |             |             |        |     |       |
| (16) | 915 332 265 09 | adjusting ring<br>3,3 MM |        | X   |       |     |             |             |        |     |       |
| (16) | 915 332 265 10 | adjusting ring<br>3,4 MM |        | X   |       |     |             |             |        |     |       |
| (16) | 915 332 265 11 | adjusting ring<br>3,5 MM |        | X   |       |     |             |             |        |     |       |
| (16) | 915 332 265 12 | adjusting ring<br>3,6 MM |        | X   |       |     |             |             |        |     |       |
| (16) | 915 332 265 13 | adjusting ring<br>3,7 MM |        | X   |       |     |             |             |        |     |       |
| 17   | 999 059 027 00 | taper roller bearing     |        | 2   |       |     |             |             |        |     |       |
| 18   | 914 332 209 00 | joint flange             |        | 2   |       |     |             |             |        |     |       |
| 19   | 914 332 261 00 | washer                   |        | 2   |       |     |             |             |        |     |       |
| 20   | 901 332 275 12 | elastic bolt             |        | 2   |       |     |             |             |        |     |       |

|       |      |    |    |              |              |     |              |            |         |     |         |
|-------|------|----|----|--------------|--------------|-----|--------------|------------|---------|-----|---------|
| Model | Year | MG | SG | Illustration | Restrictions | UPD | 18:16        | 30.01.2010 | PORSCHE | PET | PORSCHE |
| 914   | 1976 | 3  | 07 | 307-00       |              | 248 | USA / CANADA |            |         |     |         |

**SPORTOMATIC**



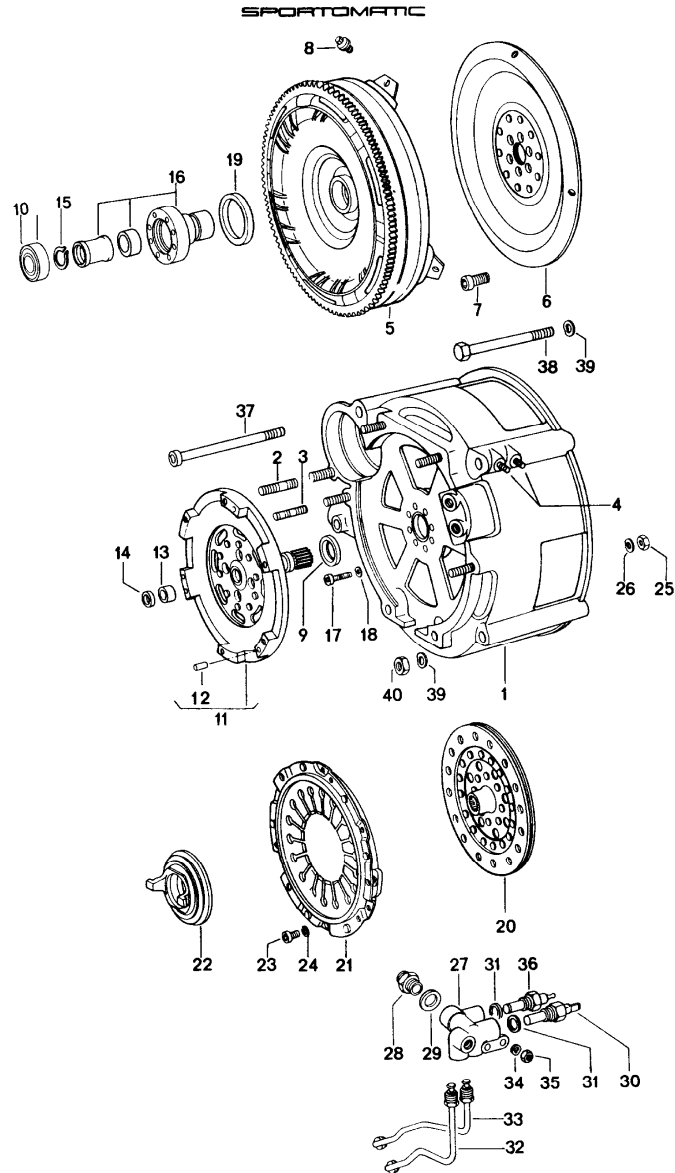
| Pos | Part Number    | Description                 | Remark | Qty | Model     |
|-----|----------------|-----------------------------|--------|-----|-----------|
|     |                | clutch release              |        |     | 914-6:SPM |
| 1   | 905 116 711 01 | clutch release lever        |        | 1   |           |
| 2   | 905 116 709 00 | clutch lever shaft          |        | 1   |           |
| 3   | 905 116 712 00 | spacer ring                 |        | 2   |           |
| 4   | 900 095 013 00 | tensioning sleeve<br>4 X 20 |        | 1   |           |
| 5   | 905 116 713 00 | cap                         |        | 2   |           |
| 6   | 905 116 714 00 | spring                      |        | 1   |           |
| 7   | 905 116 708 00 | washer                      |        | 1   |           |
| 8   | 999 701 169 40 | o-ring                      |        | 1   |           |
| 9   | 905 116 071 00 | intermediate shift lever    |        | 1   |           |
| 10  | 905 116 701 01 | bush                        |        | 1   |           |
| 11  | 905 116 719 01 | spacer                      |        | 1   |           |
| 12  | 999 704 019 50 | sleeve                      |        | 1   |           |
| 13  | 900 234 006 02 | shim<br>15 X 22 X 1         |        | 1   |           |
| 14  | N 012 415 1    | circlip<br>15 X 1           |        | 1   |           |
| 15  | 905 116 721 01 | servo-motor<br>135 X 60     |        | 1   |           |
| 16  | 905 116 715 10 | servo-motor support         |        | 1   |           |
| 17  | 900 076 025 02 | hexagon nut<br>M 8          |        | 6   |           |
| 18  | 900 027 015 02 | lock ring<br>B 6            |        | 6   |           |
| 19  | 905 116 716 00 | pull rod                    |        | 1   |           |
| 20  | 900 166 002 02 | clevis<br>G 6 X 24          |        | 1   |           |
| 21  | 900 076 010 02 | hexagon nut<br>M 6          |        | 1   |           |
| 22  | 905 116 717 00 | bolt                        |        | 1   |           |
| 23  | 900 089 005 02 | washer<br>6                 |        | 1   |           |



|       |      |    |    |              |              |     |              |            |         |     |         |
|-------|------|----|----|--------------|--------------|-----|--------------|------------|---------|-----|---------|
| Model | Year | MG | SG | Illustration | Restrictions | UPD | 18:16        | 30.01.2010 | PORSCHE | PET | PORSCHE |
| 914   | 1976 | 3  | 07 | 307-00       |              | 248 | USA / CANADA |            |         |     |         |

| Pos | Part Number    | Description            | Remark | Qty | Model | Pos | Part Number | Description | Remark | Qty | Model |
|-----|----------------|------------------------|--------|-----|-------|-----|-------------|-------------|--------|-----|-------|
| 24  | 900 021 002 00 | cotter pin<br>1,5 X 10 |        | 1   |       |     |             |             |        |     |       |
| 25  | 905 116 751 00 | push rod               |        | 1   |       |     |             |             |        |     |       |
| 26  | 900 025 007 02 | washer<br>8,4          |        | 2   |       |     |             |             |        |     |       |
| 27  | 900 021 008 00 | cotter pin<br>2 X 15   |        | 2   |       |     |             |             |        |     |       |

|       |      |    |    |              |              |     |              |            |         |     |         |
|-------|------|----|----|--------------|--------------|-----|--------------|------------|---------|-----|---------|
| Model | Year | MG | SG | Illustration | Restrictions | UPD | 18:16        | 30.01.2010 | PORSCHE | PET | PORSCHE |
| 914   | 1976 | 3  | 07 | 307-05       |              | 248 | USA / CANADA |            |         |     |         |

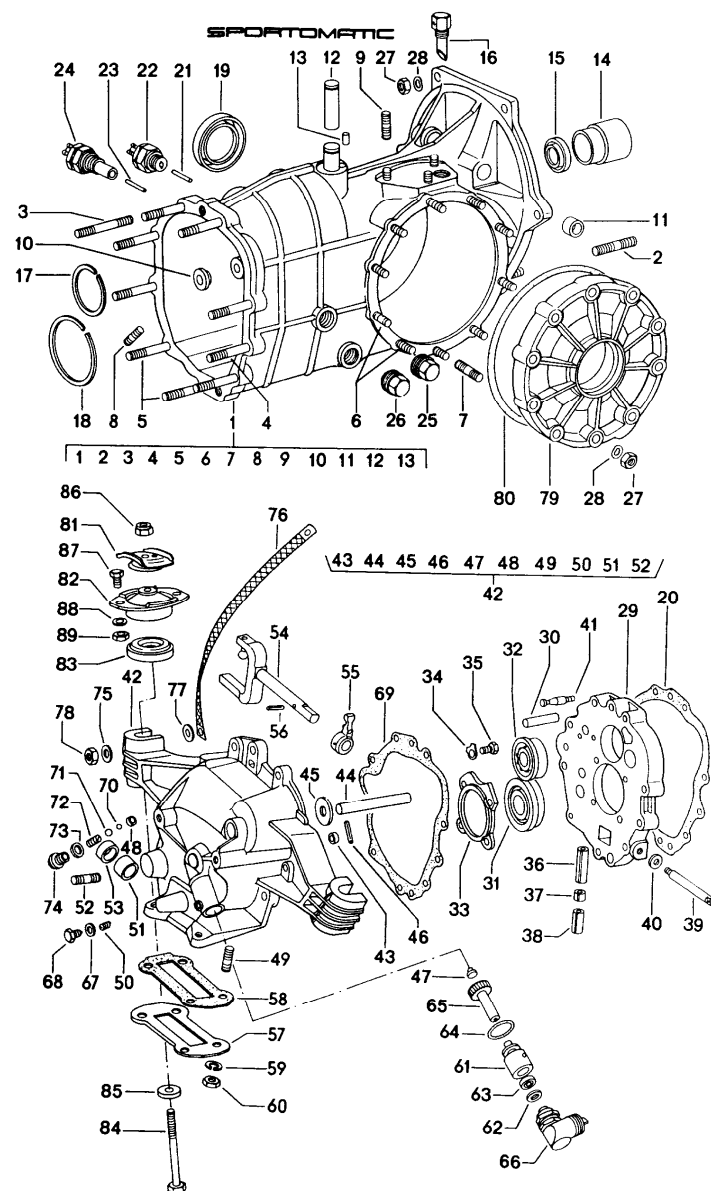


| Pos | Part Number      | Description                        | Remark | Qty | Model     |
|-----|------------------|------------------------------------|--------|-----|-----------|
| 1   | 905 301 007 01   | converter housing with stud        |        | 1   | 914-6:SPM |
| 2   | 900 061 014 02   | stud BM 10 X 22                    |        | 1   |           |
| (3) | 999 062 009 02   | stud BM 8 X 28                     |        | 1   |           |
| 3   | 999 062 007 02   | stud BM 8 X 22                     |        | 3   |           |
| 4   | 999 062 002 02   | stud BM 6 X 15                     |        | 2   |           |
| 5   | 905 116 002 20   | torque converter with starter ring |        | 1   |           |
| 6   | 905 116 024 12   | drive plate                        |        | 1   |           |
| 7   | 999 067 009 01   | pan-head screw                     |        | 6   |           |
| 8   | 001 301 095 A    | 12 point socket                    |        | 4   |           |
| 9   | PCG 113 071 50   | radial shaft seal                  |        | 1   |           |
| 10  | 900 052 027 00   | deep-groove ball bearing           |        | 1   |           |
| 11  | 905 116 027 10   | turbine shaft                      |        | 1   |           |
| 12  | 999 012 018 00   | straight pin                       |        | 3   |           |
| 13  | 999 201 021 00   | needle sleeve                      |        | 1   |           |
| 14  | PCG 201 301 00   | shaft sealing ring G 12 X 18 X 3   |        | 1   |           |
| 15  | N 012 420 1      | circlip 20 X 1,2                   |        | 1   |           |
| 16  | 905 116 020 01   | free wheel lock bracket            |        | 1   |           |
| 17  | 999 186 002 01   | pan-head screw                     |        | 8   |           |
| 18  | * N 013 804 2    | sealing ring A 6 X 10              |        | 8   |           |
| 19  | * 999 113 189 40 | shaft sealing ring                 |        | 1   |           |
| 20  | 905 116 254 20   | clutch plate                       |        | 1   |           |

|       |      |    |    |              |              |     |              |            |         |     |         |
|-------|------|----|----|--------------|--------------|-----|--------------|------------|---------|-----|---------|
| Model | Year | MG | SG | Illustration | Restrictions | UPD | 18:16        | 30.01.2010 | PORSCHE | PET | PORSCHE |
| 914   | 1976 | 3  | 07 | 307-05       |              | 248 | USA / CANADA |            |         |     |         |

| Pos | Part Number      | Description                     | Remark | Qty | Model | Pos | Part Number | Description | Remark | Qty | Model |
|-----|------------------|---------------------------------|--------|-----|-------|-----|-------------|-------------|--------|-----|-------|
| 21  | 905 116 255 10   | clutch pressure plate           |        | 1   |       |     |             |             |        |     |       |
| 22  | 925 116 081 00   | clutch release bearing          |        | 1   |       |     |             |             |        |     |       |
| 23  | 999 067 010 01   | pan-head screw                  |        | 6   |       |     |             |             |        |     |       |
| 24  | N 012 026 3      | lock ring<br>6                  |        | 6   |       |     |             |             |        |     |       |
| 25  | N 011 010 6      | hexagon nut<br>M 10             |        | 2   |       |     |             |             |        |     |       |
| 26  | N 012 242 3      | spring washer<br>B 10 X 18      |        | 2   |       |     |             |             |        |     |       |
| 27  | 905 301 125 11   | switch housing                  |        | 1   |       |     |             |             |        |     |       |
| 28  | 900 129 009 02   | double socket                   |        | 1   |       |     |             |             |        |     |       |
| 29  | * N 013 848 1    | sealing ring<br>A 16 X 22       |        | 1   |       |     |             |             |        |     |       |
| 30  | 905 613 102 04   | temperature switch              |        | 1   |       |     |             |             |        |     |       |
| 31  | * 900 123 007 30 | sealing ring<br>A 14 X 18       |        | 2   |       |     |             |             |        |     |       |
| 32  | 905 301 013 10   | pressure pipe                   |        | 1   |       |     |             |             |        |     |       |
| 33  | 905 301 014 10   | return pipe                     |        | 1   |       |     |             |             |        |     |       |
| 34  | 900 028 008 01   | spring washer<br>B 6            |        | 2   |       |     |             |             |        |     |       |
| 35  | 900 076 010 02   | hexagon nut<br>M 6              |        | 2   |       |     |             |             |        |     |       |
| 36  | 901 641 632 00   | remote temperature sensor       |        | 1   |       |     |             |             |        |     |       |
| 37  | 900 067 078 02   | pan-head screw<br>M 10 X 150    |        | 1   |       |     |             |             |        |     |       |
| 38  | 900 155 018 02   | hexagon-head bolt<br>M 10 X 110 |        | 1   |       |     |             |             |        |     |       |
| 39  | N 012 242 3      | spring washer<br>B 10 X 18      |        | 4   |       |     |             |             |        |     |       |
| 40  | 900 157 002 02   | hexagon nut<br>M 10             |        | 2   |       |     |             |             |        |     |       |

|       |      |    |    |              |              |     |              |            |         |     |         |
|-------|------|----|----|--------------|--------------|-----|--------------|------------|---------|-----|---------|
| Model | Year | MG | SG | Illustration | Restrictions | UPD | 18:16        | 30.01.2010 | PORSCHE | PET | PORSCHE |
| 914   | 1976 | 3  | 08 | 308-00       |              | 248 | USA / CANADA |            |         |     |         |



| Pos | Part Number      | Description                                   | Remark | Qty | Model     |
|-----|------------------|---|--------|-----|-----------|
|     |                  | transmission case                             |        |     | 914-6:SPM |
| 1   | 914 301 010 05   | transmission case                             |        | 1   |           |
| 2   | 900 061 118 02   | stud<br>BM 10 X 28                            |        | 2   |           |
| 3   | 999 062 138 02   | stud<br>BM 8 X 52                             |        | 1   |           |
| 4   | 900 061 012 02   | stud<br>BM 8 X 50                             |        | 6   |           |
| 5   | 900 061 011 01   | stud<br>BM 8 X 45                             |        | 2   |           |
| 6   | 999 062 008 02   | stud<br>BM 8 X 25                             |        | 2   |           |
| 7   | 999 062 007 02   | stud<br>BM 8 X 22                             |        | 7   |           |
| 8   | 900 061 057 02   | stud<br>BM 8 X 15                             |        | 2   |           |
| 9   | 900 061 004 02   | stud<br>BM 8 X 12                             |        | 3   |           |
| 10  | 905 302 291 00   | ring  |        | 1   |           |
| 11  | 905 116 727 00   | bush  |        | 2   |           |
| 12  | 905 116 707 01   | bearing pin                                   |        | 1   |           |
| 13  | 999 095 102 00   | clamping pin<br>S 5 X 12                      |        | 1   |           |
| 14  | 905 116 813 01   | guide tube                                    |        | 1   |           |
| 15  | * 999 113 286 40 | shaft sealing ring                            |        | 1   |           |
| 16  | 904 301 071 00   | bleeder                                       |        | 1   |           |
| 17  | 999 042 301 01   | circlip<br>SB 52                              |        | 2   |           |
| 18  | 999 041 305 01   | circlip<br>SB 79                              |        | 1   |           |
| 19  | * 999 113 058 50 | radial sealing ring<br>BA - FG 45 X 65 X 10   |        | 2   |           |
| 20  | * 905 301 191 00 | gasket<br>for<br>transmission case<br>0,10 MM |        | 1   |           |

|       |      |    |    |              |              |     |              |            |         |     |         |
|-------|------|----|----|--------------|--------------|-----|--------------|------------|---------|-----|---------|
| Model | Year | MG | SG | Illustration | Restrictions | UPD | 18:16        | 30.01.2010 | PORSCHE | PET | PORSCHE |
| 914   | 1976 | 3  | 08 | 308-00       |              | 248 | USA / CANADA |            |         |     |         |

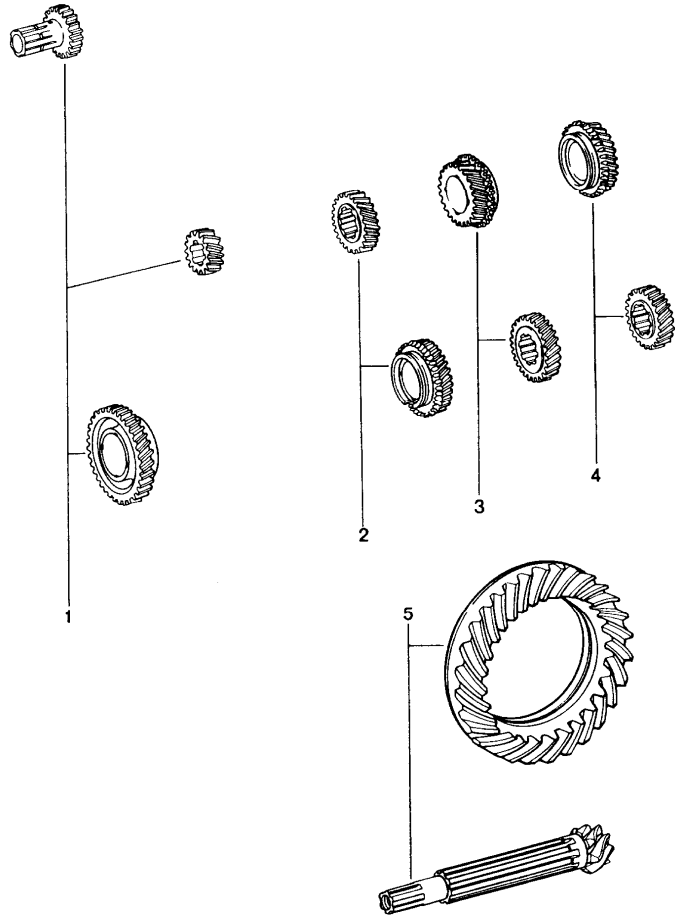
| Pos  | Part Number      | Description                                   | Remark | Qty | Model | Pos | Part Number      | Description                          | Remark | Qty | Model |
|------|------------------|---|--------|-----|-------|-----|------------------|--------------------------------------|--------|-----|-------|
| (20) | * 905 301 191 01 | gasket<br>for<br>transmission case<br>0,15 MM |        | X   |       | 38  | 905 303 243 00   | bush<br>for<br>gear lock detent      |        | 1   |       |
| (20) | * 905 301 191 02 | gasket<br>for<br>transmission case<br>0,20 MM |        | X   |       | 39  | 914 301 307 00   | bolt<br>for<br>reverse lever         |        | 1   |       |
| 21   | 905 303 245 02   | cam follower<br>back-up light switch          |        | 1   |       | 40  | N 012 241 1      | spring washer<br>B 8 X 15            |        | 1   |       |
| 22   | 905 613 051 02   | back-up light switch                          |        | 1   |       | 41  | 905 303 136 00   | bolt                                 |        | 1   |       |
| 23   | 914 303 246 10   | cam follower<br>bridging switch               |        | 1   |       | 42  | 914 301 031 12   | transmission cover<br>rear           |        | 1   |       |
| 24   | 905 613 101 02   | bridging switch                               |        | 1   |       | 43  | 901 318 244 01   | bearing sleeve                       |        | 1   |       |
| 25   | 999 064 019 02   | screw plug                                    |        | 1   |       | 44  | 905 302 255 00   | bolt<br>for<br>reverse gear          |        | 1   |       |
| 26   | 999 064 020 02   | screw plug<br>with magnet                     |        | 1   |       | 45  | 905 302 292 00   | thrust washer                        |        | 1   |       |
| 27   | 900 076 025 02   | hexagon nut<br>M 8                            |        | 13  |       | 46  | 900 095 019 01   | tensioning sleeve<br>5 X 30          |        | 1   |       |
| 28   | N 012 241 1      | spring washer<br>B 8 X 15                     |        | 13  |       | 47  | 901 318 273 01   | bolt                                 |        | 1   |       |
| 29   | 905 301 221 01   | intermediate plate                            |        | 1   |       | 48  | 905 303 236 00   | washer                               |        | 1   |       |
| 30   | 900 012 027 00   | straight pin<br>10 M 6 X 45                   |        | 2   |       | 49  | 999 062 055 02   | stud<br>BM 6 X 12                    |        | 4   |       |
| 31   | 999 052 016 00   | four-point bearing                            |        | 1   |       | 50  | 999 504 070 00   | threaded insert<br>M 8 X 1           |        | 1   |       |
| 32   | 999 053 025 00   | angular-contact bearing                       |        | 1   |       | 51  | 914 303 121 01   | bush<br>for<br>shift rod             |        | 1   |       |
| 33   | 901 301 251 01   | tensioning plate                              |        | 1   |       | 52  | 900 061 073 02   | stud<br>BM 8 X 16                    |        | 2   |       |
| 34   | 999 039 001 00   | tab washer                                    |        | 4   |       | 53  | * 900 112 029 50 | radial sealing ring<br>A 14 X 24 X 7 |        | 1   |       |
| 35   | N 010 239 11     | hexagon-head bolt<br>M 8 X 18                 |        | 4   |       | 54  | 914 303 011 02   | bellcrank                            |        | 1   |       |
| 36   | 901 303 241 01   | bush<br>for<br>gear lock detent               |        | 1   |       | 55  | 914 303 013 01   | gearshift lever                      |        | 1   |       |
| 37   | 905 303 242 00   | bush<br>for<br>gear lock detent               |        | 1   |       | 56  | 900 309 003 00   | roll pin<br>5 X 24                   |        | 1   |       |
|      |                  |   |        |     |       | 57  | 914 301 313 00   | lid                                  |        | 1   |       |
|      |                  |   |        |     |       | 58  | * 914 301 391 00 | gasket                               |        | 1   |       |

|       |      |    |    |              |              |     |              |            |         |     |         |
|-------|------|----|----|--------------|--------------|-----|--------------|------------|---------|-----|---------|
| Model | Year | MG | SG | Illustration | Restrictions | UPD | 18:16        | 30.01.2010 | PORSCHE | PET | PORSCHE |
| 914   | 1976 | 3  | 08 | 308-00       |              | 248 | USA / CANADA |            |         |     |         |

| Pos | Part Number      | Description                                | Remark | Qty | Model | Pos  | Part Number      | Description                           | Remark | Qty | Model |
|-----|------------------|--|--------|-----|-------|------|------------------|---------------------------------------|--------|-----|-------|
| 59  | 999 025 108 02   | washer<br>6,4 X 14                         |        | 4   |       | 79   | 905 301 311 11   | transmission cover<br>lateral         |        | 1   |       |
| 60  | 999 084 018 02   | lock nut                                   |        | 4   |       | 80   | * 999 701 286 40 | o-ring<br>160 X 3                     |        | 1   |       |
| 61  | 901 318 243 12   | guide bush                                 |        | 1   |       | (80) | * 905 301 391 00 | gasket                                |        | 1   |       |
| 62  | 914 318 261 01   | sealing washer                             |        | 1   |       | 81   | 914 375 058 01   | base                                  |        | 2   |       |
| 63  | * 999 113 036 50 | radial sealing ring<br>BA - FG 10 X 18 X 6 |        | 1   |       | 82   | 914 375 026 00   | transmission mounting                 |        | 2   |       |
| 64  | * 999 701 084 50 | o-ring                                     |        | 1   |       | 83   | 914 375 237 00   | washer                                |        | 2   |       |
| 65  | 905 318 333 10   | shaft<br>for<br>speedometer drive          |        | 1   |       | 84   | 900 082 044 02   | hexagon-head bolt<br>M 12 X 1,5 X 125 |        | 2   |       |
| 66  | 914 318 029 01   | angled pipe                                |        | 1   |       | 85   | 914 375 239 00   | washer                                |        | 2   |       |
| 67  | 900 031 001 02   | washer<br>8,4                              |        | 1   |       | 86   | N 021 191 5      | lock nut<br>M 12 X 1,5                |        | 2   |       |
| 68  | 901 318 272 03   | hexagon-head bolt                          |        | 1   |       | 87   | 900 075 085 02   | hexagon-head bolt<br>M 8 X 20         |        | 4   |       |
| 69  | 905 301 392 02   | gasket<br>for<br>transmission cover        |        | 1   |       | 88   | 900 025 007 02   | washer<br>8,4                         |        | 4   |       |
| 70  | 900 108 010 00   | ball<br>7 MM<br>for<br>parking lock        |        | 1   |       | 89   | 900 910 022 02   | hexagon nut                           |        | 4   |       |
| 71  | N 025 667 2      | ball<br>9 MM<br>for<br>parking lock        |        | 1   |       |      |                  |                                       |        |     |       |
| 72  | 905 303 237 00   | spring<br>for<br>parking lock              |        | 1   |       |      |                  |                                       |        |     |       |
| 73  | 900 031 001 02   | washer<br>8,4                              |        | 1   |       |      |                  |                                       |        |     |       |
| 74  | 905 303 238 00   | screw plug                                 |        | 1   |       |      |                  |                                       |        |     |       |
| 75  | 900 031 001 02   | washer<br>8,4                              |        | 8   |       |      |                  |                                       |        |     |       |
| 76  | 999 611 919 20   | ground strap                               |        | 1   |       |      |                  |                                       |        |     |       |
| 77  | 999 151 022 02   | washer<br>20 X 8,4 X 2                     |        | 2   |       |      |                  |                                       |        |     |       |
| 78  | 999 090 101 02   | mid-grip nut                               |        | 9   |       |      |                  |                                       |        |     |       |

|       |      |    |    |              |              |     |              |            |         |     |         |
|-------|------|----|----|--------------|--------------|-----|--------------|------------|---------|-----|---------|
| Model | Year | MG | SG | Illustration | Restrictions | UPD | 18:17        | 30.01.2010 | PORSCHE | PET | PORSCHE |
| 914   | 1976 | 3  | 09 | 309-00       |              | 248 | USA / CANADA |            |         |     |         |

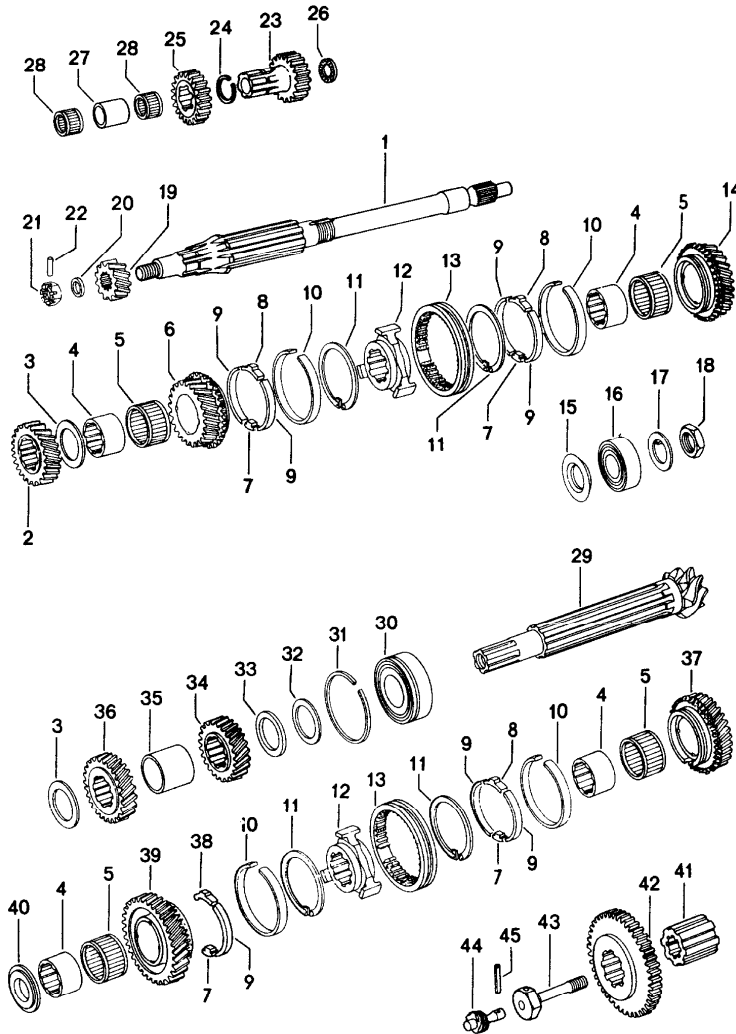
SPORTOMATIC



| Pos | Part Number    | Description  | Remark | Qty | Model     |
|-----|----------------|--|--------|-----|-----------|
|     |                | gear wheel sets  |        |     | 914-6:SPM |
| 1   | 905 302 906 10 | gear set<br>1st gear<br>Z = 15:36 (C)<br>gear wheel<br>II<br>for<br>reverse gear<br>fixed gear wheel<br>loose gear wheel |        | 1   |           |
| 2   | 901 302 908 10 | gear wheel pair<br>2nd gear<br>Z = 20:31 (I)<br>fixed gear wheel<br>loose gear wheel                                     |        | 1   |           |
| 3   | 904 302 920 10 | gear wheel pair<br>3rd gear<br>Z = 24:27 (Q4)<br>fixed gear wheel<br>loose gear wheel                                    |        | 1   |           |
| 4   | 904 302 924 10 | gear wheel pair<br>4th speed<br>Z = 28:24 (X)<br>fixed gear wheel<br>loose gear wheel                                    |        | 1   |           |
| 5   | 905 302 901 01 | ring gear and pinion shaft<br>7:27   |        | 1   |           |

|       |      |    |    |              |              |     |              |            |         |     |         |
|-------|------|----|----|--------------|--------------|-----|--------------|------------|---------|-----|---------|
| Model | Year | MG | SG | Illustration | Restrictions | UPD | 18:17        | 30.01.2010 | PORSCHE | PET | PORSCHE |
| 914   | 1976 | 3  | 09 | 309-05       |              | 248 | USA / CANADA |            |         |     |         |

SPORTOMATIC



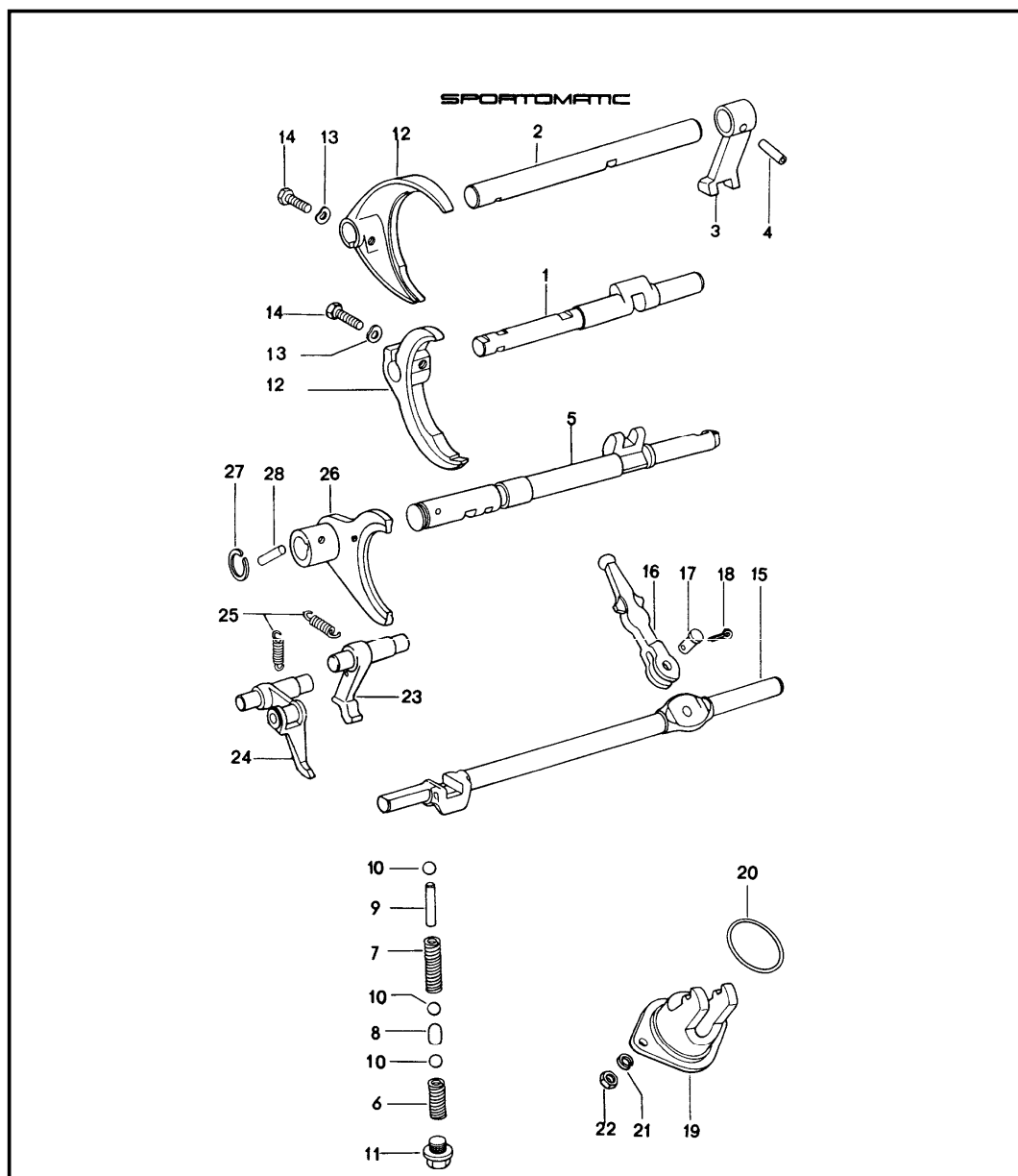
| Pos | Part Number      | Description                             | Remark | Qty | Model     |
|-----|------------------|---|--------|-----|-----------|
|     |                  | gears and shafts                        |        |     | 916-6:SPM |
|     |                  | gear wheel sets<br>see group<br>3/09/00 |        |     |           |
| 1   | 905 302 101 00   | drive shaft                             |        | 1   |           |
| 2   | * --- --- --- -- | fixed gear wheel<br>2nd gear            |        | 1   |           |
| 3   | 901 302 294 01   | thrust washer                           |        | 2   |           |
| 4   | 901 302 261 01   | bush                                    |        | 4   |           |
| 5   | 999 201 470 00   | needle cage                             |        | 4   |           |
| 6   | * --- --- --- -- | loose gear wheel<br>3rd gear            |        | 1   |           |
| 7   | 911 302 317 01   | stop<br>1. -<br>4th speed               |        | 4   |           |
| 8   | 911 302 315 00   | stone<br>2. -<br>4th speed              |        | 3   |           |
| 9   | 911 302 316 00   | brake band                              |        | 7   |           |
| 10  | 925 302 301 02   | synchroniser ring                       |        | 4   |           |
| 11  | 911 302 311 01   | circlip                                 |        | 4   |           |
| 12  | 901 302 402 02   | guide sleeve                            |        | 2   |           |
| 13  | 911 302 411 10   | shift sleeve                            |        | 2   |           |
| 14  | * --- --- --- -- | loose gear wheel<br>4th speed           |        | 1   |           |
| 15  | 901 302 268 01   | spacer                                  |        | 1   |           |
| 16  | 999 110 008 00   | cylindrical-roller bearing              |        | 1   |           |
| 17  | 999 038 001 00   | tab washer                              |        | 1   |           |
| 18  | 999 183 001 00   | hexagon nut                             |        | 1   |           |
| 19  | * --- --- --- -- | fixed gear wheel<br>1st gear            |        | 1   |           |
| 20  | 999 031 067 00   | washer                                  |        | 1   |           |
| 21  | 999 079 011 02   | castle nut                              |        | 1   |           |



|       |      |    |    |              |              |     |              |            |         |     |         |
|-------|------|----|----|--------------|--------------|-----|--------------|------------|---------|-----|---------|
| Model | Year | MG | SG | Illustration | Restrictions | UPD | 18:17        | 30.01.2010 | PORSCHE | PET | PORSCHE |
| 914   | 1976 | 3  | 09 | 309-05       |              | 248 | USA / CANADA |            |         |     |         |

| Pos | Part Number      | Description                              | Remark | Qty | Model | Pos | Part Number    | Description                         | Remark | Qty | Model |
|-----|------------------|--|--------|-----|-------|-----|----------------|-------------------------------------|--------|-----|-------|
| 22  | 900 309 004 00   | roll pin<br>3 X 18                       |        | 1   |       | 40  | 901 302 269 01 | thrust washer                       |        | 1   |       |
| 23  | * --- --- --- -- | gear wheel<br>II<br>for<br>reverse gear  |        | 1   |       | 41  | 905 302 257 00 | spline shaft sleeve                 |        | 1   |       |
| 24  | 999 041 309 01   | circlip<br>SB 27                         |        | 1   |       | 42  | 905 302 224 02 | sliding gear<br>for<br>reverse gear |        | 1   |       |
| 25  | 905 302 223 00   | gear wheel<br>III<br>for<br>reverse gear |        | 1   |       | 43  | 901 302 271 01 | elastic bolt                        |        | 1   |       |
| 26  | 999 202 003 00   | needle-roller bearing                    |        | 1   |       | 44  | 905 318 331 10 | shaft                               |        | 1   |       |
| 27  | 905 302 265 00   | spacer sleeve                            |        | 1   |       | 45  | 900 197 002 00 | tensioning sleeve<br>4 X 28         |        | 1   |       |
| 28  | 999 201 106 00   | needle cage                              |        | 2   |       |     |                |                                     |        |     |       |
| 29  | * --- --- --- -- | drive shaft                              |        | 1   |       |     |                |                                     |        |     |       |
| 30  | 999 110 007 00   | cylindrical-roller bearing               |        | 1   |       |     |                |                                     |        |     |       |
| 31  | 900 111 002 00   | circlip<br>SP 72                         |        | 1   |       |     |                |                                     |        |     |       |
| 32  | 901 302 297 01   | adjusting shim<br>0,25 MM                |        | X   |       |     |                |                                     |        |     |       |
| 32  | 901 302 297 11   | adjusting shim<br>0,30 MM                |        | X   |       |     |                |                                     |        |     |       |
| 32  | 901 302 297 21   | adjusting shim<br>0,40 MM                |        | X   |       |     |                |                                     |        |     |       |
| 33  | 901 302 298 01   | spacer                                   |        | 1   |       |     |                |                                     |        |     |       |
| 34  | * --- --- --- -- | fixed gear wheel<br>4th speed            |        | 1   |       |     |                |                                     |        |     |       |
| 35  | 901 302 265 01   | spacer sleeve                            |        | 1   |       |     |                |                                     |        |     |       |
| 36  | * --- --- --- -- | fixed gear wheel<br>3rd gear             |        | 1   |       |     |                |                                     |        |     |       |
| 37  | * --- --- --- -- | loose gear wheel<br>2nd gear             |        | 1   |       |     |                |                                     |        |     |       |
| 38  | 901 302 318 02   | stone<br>for<br>1st gear                 |        | 1   |       |     |                |                                     |        |     |       |
| 39  | * --- --- --- -- | loose gear wheel<br>1st gear             |        | 1   |       |     |                |                                     |        |     |       |

|       |      |    |    |              |              |     |              |            |         |     |         |
|-------|------|----|----|--------------|--------------|-----|--------------|------------|---------|-----|---------|
| Model | Year | MG | SG | Illustration | Restrictions | UPD | 18:17        | 30.01.2010 | PORSCHE | PET | PORSCHE |
| 914   | 1976 | 3  | 10 | 310-00       |              | 248 | USA / CANADA |            |         |     |         |



| Pos | Part Number    | Description  | Remark | Qty | Model     |
|-----|----------------|--|--------|-----|-----------|
|     |                | shift rods<br>shift forks<br>differential                          |        |     | 914-6:SPM |
| 1   | 901 303 101 01 | gear shift rod<br>1st/2nd gear                                     |        | 1   |           |
| 2   | 901 303 103 01 | gear shift rod<br>3rd/4th gear                                     |        | 1   |           |
| 3   | 901 303 161 01 | contact  |        | 1   |           |
| 4   | 900 309 003 00 | roll pin<br>5 X 24   |        | 1   |           |
| 5   | 914 303 141 10 | gear shift rod<br>for<br>reverse gear                              |        | 1   |           |
| 6   | 901 303 232 01 | compression spring<br>for<br>gear lock detent<br>2. -<br>4th speed |        | 1   |           |
| 7   | 905 303 232 01 | compression spring<br>for<br>gear lock detent                      |        | 1   |           |
| 8   | 905 303 211 00 | detent<br>for<br>gear lock detent                                  |        | 1   |           |
| 9   | 901 303 271 01 | pin<br>for<br>gear lock detent                                     |        | 1   |           |
| 10  | N 025 667 2    | ball<br>9 MM   |        | 3   |           |
| 11  | 999 065 001 02 | screw plug   |        | 1   |           |
| 12  | 901 303 111 01 | shift fork<br>for<br>forward speed                                 |        | 2   |           |
| 13  | N 012 241 1    | spring washer<br>B 8 X 15  |        | 2   |           |
| 14  | 900 075 083 02 | hexagon-head bolt<br>M 8 X 25                                      |        | 2   |           |
| 15  | 914 303 131 05 | gear shift rod   |        | 1   |           |
| 16  | 901 303 133 01 | shift lever  |        | 1   |           |
| 17  | 901 303 171 01 | bolt   |        | 1   |           |

|       |      |    |    |              |              |     |              |            |         |     |         |
|-------|------|----|----|--------------|--------------|-----|--------------|------------|---------|-----|---------|
| Model | Year | MG | SG | Illustration | Restrictions | UPD | 18:17        | 30.01.2010 | PORSCHE | PET | PORSCHE |
| 914   | 1976 | 3  | 10 | 310-00       |              | 248 | USA / CANADA |            |         |     |         |

| Pos  | Part Number      | Description                       | Remark | Qty | Model | Pos | Part Number    | Description                          | Remark | Qty | Model |
|------|------------------|-----------------------------------|--------|-----|-------|-----|----------------|--------------------------------------|--------|-----|-------|
| 18   | N 012 512 1      | cotter pin<br>2 X 12              |        | 1   |       | -   | 901 332 265 06 | spacer ring<br>3,0 MM                |        | X   |       |
| 19   | 911 303 129 00   | fork                              |        | 1   |       | -   | 901 332 265 07 | spacer ring<br>3,1 MM                |        | X   |       |
| 20   | * 999 701 359 40 | o-ring                            |        | 1   |       | -   | 901 332 265 08 | spacer ring<br>3,2 MM                |        | X   |       |
| (20) | * 901 303 191 01 | gasket                            |        | 1   |       | -   | 901 332 265 09 | spacer ring<br>3,3 MM                |        | X   |       |
| 21   | 900 027 015 02   | lock ring<br>B 8                  |        | 2   |       | -   | 901 332 265 10 | spacer ring<br>3,4 MM                |        | X   |       |
| 22   | 900 076 025 02   | hexagon nut<br>M 8                |        | 2   |       | -   | 901 332 265 11 | spacer ring<br>3,5 MM                |        | X   |       |
| 23   | 905 303 013 00   | stop<br>for<br>parking lock       |        | 1   |       | -   | 901 332 265 12 | spacer ring<br>3,6 MM                |        | X   |       |
| 24   | 905 303 015 00   | lever<br>for<br>parking lock      |        | 1   |       | -   | 901 332 265 13 | spacer ring<br>3,7 MM                |        | X   |       |
| 25   | 905 303 235 00   | tension spring                    |        | 2   |       | -   | 901 332 263 01 | washer                               |        | 2   |       |
| 26   | 914 303 151 10   | shift fork<br>for<br>reverse gear |        | 1   |       | -   | 999 059 008 00 | taper roller bearing                 |        | 2   |       |
| 27   | 999 041 301 01   | circlip<br>SW 18                  |        | 1   |       | -   | 905 302 901 01 | drive shaft<br>and<br>seat<br>7 : 27 |        | 1   |       |
| 28   | 905 303 149 00   | bolt                              |        | 1   |       | -   | 901 332 276 00 | hexagon-head bolt<br>M 12 X 1,5      |        | 12  |       |
| -    | 905 332 212 00   | transmission case                 |        | 1   |       | -   | 915 332 276 00 | hexagon-head bolt<br>M 12 X 1,25     |        | 12  |       |
| -    | 901 332 902 00   | 1 set<br>differential pinions     |        | 1   |       | -   | 905 332 285 00 | tab washer                           |        | 6   |       |
| -    | 901 332 206 13   | threaded piece                    |        | 2   |       | -   | 901 332 275 12 | elastic bolt                         |        | 2   |       |
| -    | 901 332 207 04   | differential bolt                 |        | 1   |       | -   | 911 332 208 00 | armature                             |        | 1   |       |
| -    | 901 332 265 01   | spacer ring<br>2,5 MM             |        | X   |       |     |                |                                      |        |     |       |
| -    | 901 332 265 02   | spacer ring<br>2,6 MM             |        | X   |       |     |                |                                      |        |     |       |
| -    | 901 332 265 03   | spacer ring<br>2,7 MM             |        | X   |       |     |                |                                      |        |     |       |
| -    | 901 332 265 04   | spacer ring<br>2,8 MM             |        | X   |       |     |                |                                      |        |     |       |
| -    | 901 332 265 05   | spacer ring<br>2,9 MM             |        | X   |       |     |                |                                      |        |     |       |

|       |      |    |    |              |              |     |              |            |
|-------|------|----|----|--------------|--------------|-----|--------------|------------|
| Model | Year | MG | SG | Illustration | Restrictions | UPD | 18:18        | 30.01.2010 |
| 914   | 1976 | 3  | 98 | 398-00R      |              | 248 | USA / CANADA |            |

| Pos | Part Number      | Description   | Remark | Qty | Model |
|-----|------------------|---|--------|-----|-------|
| >>  | >>914 300 901 00 | gasket set<br>gasket set<br>transmission<br>comprising: |        | 1   |       |
| -   | 901 303 191 01   | gasket  |        | 1   |       |
| -   | 113 311 113 B    | sealing ring  |        | 1   |       |
| -   | 999 113 183 40   | radial shaft seal<br>45 X 68 X 10                       |        | 2   |       |
| -   | 900 112 029 50   | radial sealing ring<br>14 X 24 X 7                      |        | 1   |       |
| -   | 901 301 191 21   | gasket<br>for<br>transmission case<br>0,1 MM            |        | 1   |       |
| -   | 901 301 191 22   | gasket<br>for<br>transmission case<br>0,15 MM           |        | 1   |       |
| -   | 901 301 191 23   | gasket<br>for<br>transmission case<br>0,2 MM            |        | 1   |       |
| -   | 999 701 084 50   | o-ring<br>25,3 - 2,4                                    |        | 1   |       |
| -   | 901 301 392 12   | gasket<br>for<br>transmission cover<br>front            |        | 1   |       |
| -   | 914 301 391 00   | gasket<br>for<br>transmission cover                     |        | 1   |       |
| -   | 113 301 185 A    | gasket<br>for<br>transmission cover<br>lateral          |        | 1   |       |
| -   | 999 701 359 40   | o-ring<br>OR 40 X 1,5                                   |        | 1   |       |
| -   | 900 112 001 50   | shaft sealing ring<br>B 15 X 24 X 7                     |        | 1   |       |
| -   | 999 113 036 50   | radial sealing ring<br>10 X 18 X 6                      |        | 1   |       |
| >>  | >>914 300 901 05 | gasket set<br>transmission<br>comprising:               |        | 1   | SPM   |

|       |      |    |    |              |              |     |              |            |
|-------|------|----|----|--------------|--------------|-----|--------------|------------|
| Model | Year | MG | SG | Illustration | Restrictions | UPD | 18:18        | 30.01.2010 |
| 914   | 1976 | 3  | 98 | 398-00R      |              | 248 | USA / CANADA |            |

| Pos | Part Number    | Description                                    | Remark | Qty | Model |
|-----|----------------|--|--------|-----|-------|
| -   | PCG 113 071 50 | radial shaft seal                              |        | 1   |       |
| -   | PCG 201 301 00 | shaft sealing ring<br>12 X 18 X 3              |        | 1   |       |
| -   | 999 113 286 40 | shaft sealing ring                             |        | 1   |       |
| -   | 999 113 189 40 | shaft sealing ring                             |        | 1   |       |
| -   | 900 123 007 30 | sealing ring<br>14 X 18                        |        | 1   |       |
| -   | 999 113 058 50 | radial sealing ring<br>45 X 65 X 10            |        | 2   |       |
| -   | N 013 804 2    | sealing ring<br>A 6 X 10                       |        | 8   |       |
| -   | N 013 848 1    | sealing ring<br>A 16 X 22                      |        | 1   |       |
| -   | 905 301 191 00 | gasket<br>for<br>transmission case<br>0,1 MM   |        | 1   |       |
| -   | 905 301 191 01 | gasket<br>for<br>transmission case<br>0,15 MM  |        | 1   |       |
| -   | 905 301 191 02 | gasket<br>for<br>transmission case<br>0,2 MM   |        | 1   |       |
| -   | 900 112 029 50 | radial sealing ring<br>14 X 24 X 7             |        | 1   |       |
| -   | 914 301 391 00 | gasket<br>for<br>lid                           |        | 1   |       |
| -   | 999 113 036 50 | radial sealing ring<br>10 X 18 X 6             |        | 1   |       |
| -   | 999 701 084 50 | o-ring<br>25,3 X 24,4                          |        | 1   |       |
| -   | 905 301 392 02 | gasket<br>for<br>transmission cover<br>front   |        | 1   |       |
| -   | 905 301 391 00 | gasket<br>for<br>transmission cover<br>lateral |        | 1   |       |

PORSCHE

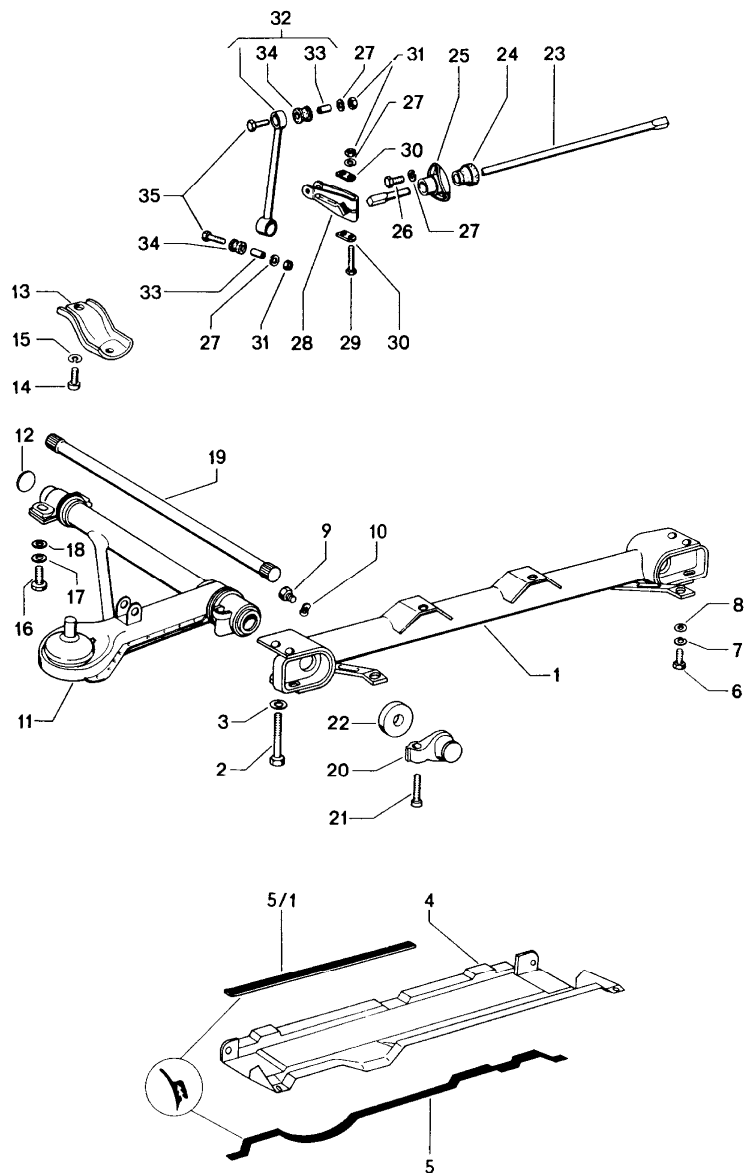
# PET

PORSCHE

|       |      |    |    |              |              |     |              |            |
|-------|------|----|----|--------------|--------------|-----|--------------|------------|
| Model | Year | MG | SG | Illustration | Restrictions | UPD | 18:18        | 30.01.2010 |
| 914   | 1976 | 3  | 98 | 398-00R      |              | 248 | USA / CANADA |            |

| Pos | Part Number    | Description           | Remark | Qty | Model |
|-----|----------------|-----------------------|--------|-----|-------|
| -   | 999 701 286 40 | o-ring<br>160 X 3     |        | 1   |       |
| -   | 901 303 191 01 | gasket                |        | 1   |       |
| -   | 999 701 359 40 | o-ring<br>OR 40 X 1,5 |        | 1   |       |

|       |      |    |    |              |              |     |              |            |         |     |         |
|-------|------|----|----|--------------|--------------|-----|--------------|------------|---------|-----|---------|
| Model | Year | MG | SG | Illustration | Restrictions | UPD | 18:18        | 30.01.2010 | PORSCHE | PET | PORSCHE |
| 914   | 1976 | 4  | 01 | 401-00       |              | 248 | USA / CANADA |            |         |     |         |



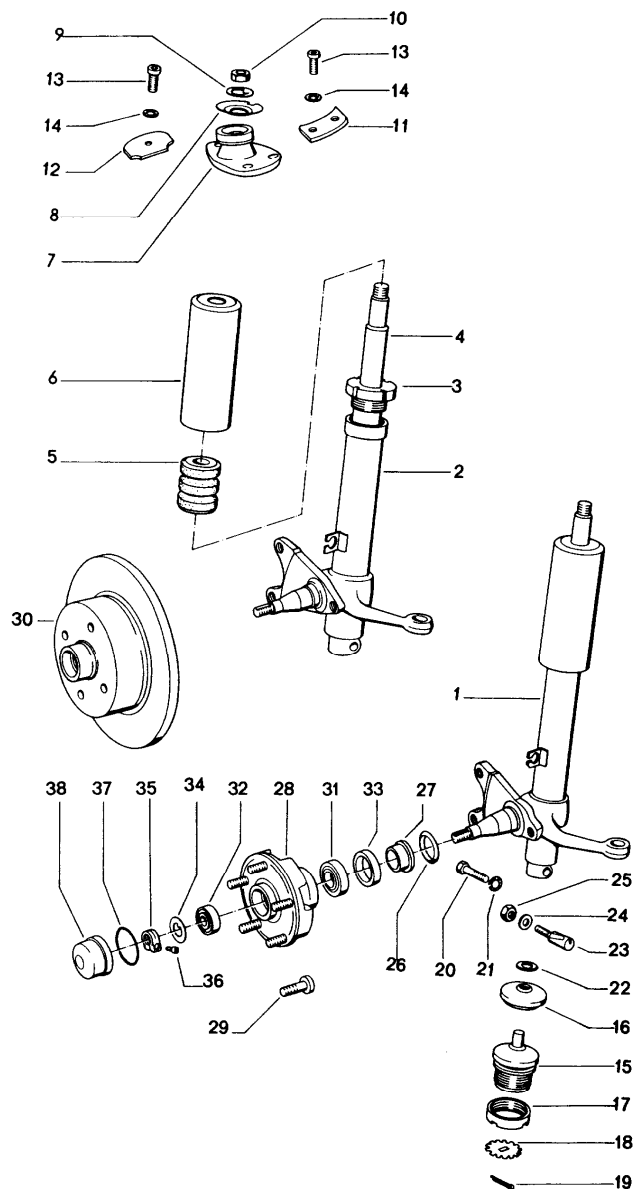
| Pos  | Part Number    | Description                          | Remark | Qty | Model |
|------|----------------|--------------------------------------|--------|-----|-------|
|      |                | front axle stabiliser                |        |     |       |
| 1    | 901 341 013 03 | auxiliary support                    |        | 1   | 914-6 |
| (1)  | 914 341 013 03 | auxiliary support                    |        | 1   |       |
| 2    | 900 082 020 02 | hexagon-head bolt<br>M 12 X 1,5 X 80 |        | 2   |       |
| 3    | 900 027 017 02 | lock ring<br>B 12                    |        | 2   |       |
| 4    | 914 341 161 00 | protective plate                     |        | 1   |       |
| 5    | 901 341 168 00 | tread<br>rubber                      |        | 1   |       |
| 5/1  | 901 341 169 00 | tread<br>rubber                      |        | 1   |       |
| 6    | 900 075 040 02 | hexagon-head bolt<br>M 10 X 20       |        | 2   |       |
| 7    | 900 027 016 02 | lock ring<br>B 10                    |        | 2   |       |
| 8    | 900 025 008 02 | washer<br>10,5                       |        | 2   |       |
| 9    | N 010 231 1    | hexagon-head bolt<br>M 8 X 8         |        | 2   |       |
| 10   | N 012 241 11   | spring washer<br>B 8 X 15            |        | 2   |       |
| 11   | 911 341 901 00 | wishbone<br>without<br>ball joint    | /L     | 1   | 914-6 |
| (11) | 911 341 902 00 | wishbone<br>without<br>ball joint    | /R     | 1   | 914-6 |
| (11) | 914 341 901 00 | wishbone<br>without<br>ball joint    | /L     | 1   | 914-4 |
| (11) | 914 341 902 00 | wishbone<br>without<br>ball joint    | /R     | 1   | 914-4 |
| 12   | 900 040 008 01 | cover plate                          |        | 2   |       |
| 13   | 914 341 159 00 | protective bracket                   |        | 2   |       |

|       |      |    |    |              |              |     |              |            |         |     |         |
|-------|------|----|----|--------------|--------------|-----|--------------|------------|---------|-----|---------|
| Model | Year | MG | SG | Illustration | Restrictions | UPD | 18:18        | 30.01.2010 | PORSCHE | PET | PORSCHE |
| 914   | 1976 | 4  | 01 | 401-00       |              | 248 | USA / CANADA |            |         |     |         |

| Pos  | Part Number    | Description                    | Remark | Qty | Model | Pos | Part Number    | Description                   | Remark | Qty | Model |
|------|----------------|--------------------------------|--------|-----|-------|-----|----------------|-------------------------------|--------|-----|-------|
| 14   | 900 067 063 02 | pan-head screw<br>M 10 X 20    |        | 2   |       | 31  | 900 076 025 02 | hexagon nut<br>M 8            |        | 8   |       |
| 15   | N 012 028 1    | lock ring                      |        | 2   |       | 32  | 914 343 075 00 | suspension                    |        | 2   |       |
| 16   | 900 075 042 02 | hexagon-head bolt<br>M 10 X 30 |        | 4   |       | 33  | 901 343 737 00 | spacer tube                   |        | 4   |       |
| 17   | 900 027 016 02 | lock ring<br>B 10              |        | 4   |       | 34  | 901 343 783 00 | rubber mounting               |        | 4   |       |
| 18   | 900 025 008 09 | washer<br>10,5                 |        | 4   |       | 35  | N 010 340 6    | hexagon-head bolt<br>M 8 X 40 |        | 4   |       |
| 19   | 914 343 101 00 | torsion bar<br>\$ 17,9         | /L     | 1   | 914-6 |     |                |                               |        |     |       |
| (19) | 914 343 102 00 | torsion bar<br>\$ 17,9         | /R     | 1   | 914-6 |     |                |                               |        |     |       |
| 19   | 914 343 107 00 | torsion bar<br>\$ 17,9         | /L     | 1   |       |     |                |                               |        |     |       |
| (19) | 914 343 108 00 | torsion bar<br>\$ 17,9         | /R     | 1   |       |     |                |                               |        |     |       |
| 20   | 901 341 033 00 | reverse lever                  |        | 2   | 914-6 |     |                |                               |        |     |       |
| 20   | 914 341 033 00 | change lever                   |        | 2   |       |     |                |                               |        |     |       |
| 21   | 911 341 115 00 | adjusting screw                |        | 2   |       |     |                |                               |        |     |       |
| 22   | 901 341 475 00 | gasket                         |        | 2   |       |     |                |                               |        |     |       |
|      |                | stabiliser                     | 73-    |     |       |     |                |                               |        |     |       |
| 23   | 901 343 703 03 | stabiliser<br>\$ 15            |        | 1   |       |     |                |                               |        |     |       |
| 24   | 901 343 792 02 | lever                          |        | 2   |       |     |                |                               |        |     |       |
| 25   | 901 343 754 01 | stabiliser mounting            |        | 2   |       |     |                |                               |        |     |       |
| 26   | 900 075 083 02 | hexagon-head bolt<br>M 8 X 25  |        | 6   |       |     |                |                               |        |     |       |
| 27   | 900 027 015 02 | lock ring<br>B 8               |        | 14  |       |     |                |                               |        |     |       |
| 28   | 901 343 713 01 | lever<br>stabiliser            |        | 2   |       |     |                |                               |        |     |       |
| 29   | N 010 377 1    | hexagon-head bolt<br>M 8 X 62  |        | 4   |       |     |                |                               |        |     |       |
| 30   | 901 343 763 00 | guide plate                    |        | 4   |       |     |                |                               |        |     |       |



|       |      |    |    |              |              |     |              |            |         |     |         |
|-------|------|----|----|--------------|--------------|-----|--------------|------------|---------|-----|---------|
| Model | Year | MG | SG | Illustration | Restrictions | UPD | 18:18        | 30.01.2010 | PORSCHE | PET | PORSCHE |
| 914   | 1976 | 4  | 02 | 402-00       |              | 248 | USA / CANADA |            |         |     |         |

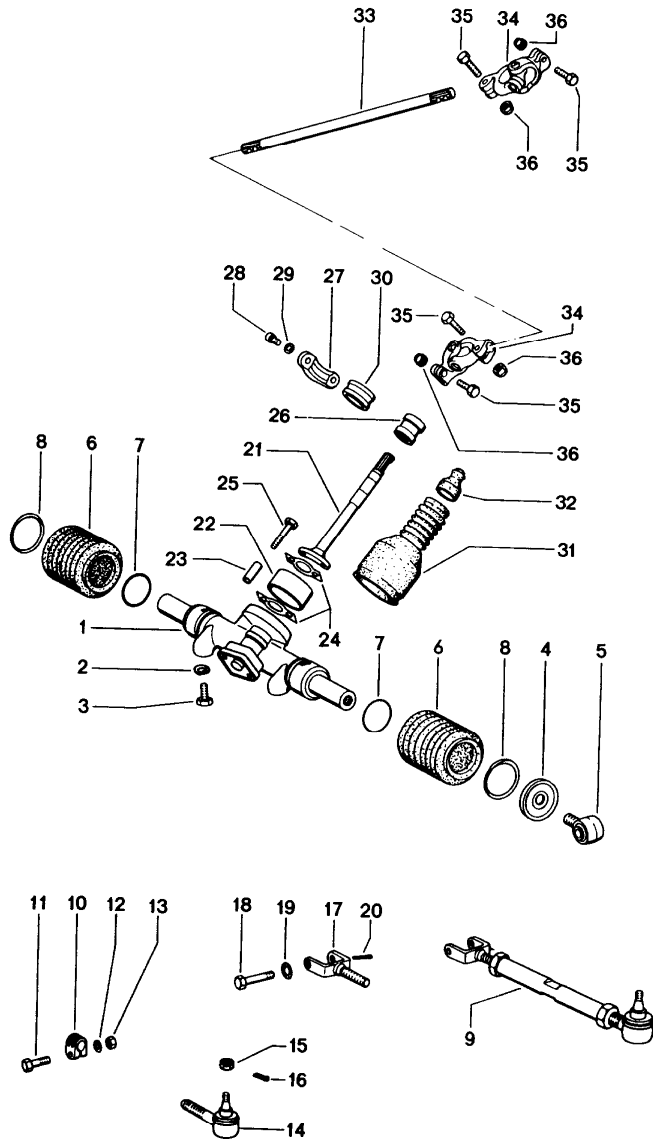


| Pos | Part Number    | Description  | Remark | Qty | Model                                |
|-----|----------------|--|--------|-----|--------------------------------------|
| 2   | 914 341 081 02 | shock absorber strut<br>outer part F >>47229 19032 | /L     | -72 | 1 914-4                              |
| (2) | 914 341 082 02 | outer part F >>47229 19032                         | /R     | -72 | 1 914-4                              |
| 2   | 914 341 081 05 | outer part F 47229 19033>>                         | /L     | 72- | 1 914-1,7/1,8<br>914-1,8V/2,0        |
| (2) | 914 341 082 05 | outer part F 47229 19033                           | /R     | 72- | 1 914-1,7/1,8<br>914-1,8V/2,0        |
| 3   | 914 341 804 00 | screw plug   |        | 2   | 914-4/1,7<br>914-1,8/1,8V<br>914-2,0 |
| 4   | 914 341 903 00 | shock absorber insert<br>- boge -                  |        | 2   |                                      |
| 5   | 901 343 301 00 | rubber stop<br>- boge -                            |        | 2   |                                      |
| 6   | 914 341 086 00 | protective tube                                    |        | 2   | 914-4/1,7<br>914-1,8/1,8V<br>914-2,0 |
| 7   | 911 341 018 00 | supporting mount with lever                        |        | 2   |                                      |
| 8   | 901 341 629 00 | support washer                                     |        | 2   |                                      |
| 9   | 900 038 002 01 | tab washer 14                                      |        | 2   |                                      |
| 10  | N 011 021 3    | hexagon nut M 14 X 1,5                             |        | 2   |                                      |
| 11  | 911 501 933 00 | double-bore pressure plate                         |        | 2   |                                      |
| 12  | 911 501 934 00 | one-bore pressure plate                            |        | 2   |                                      |
| 13  | 900 067 063 02 | pan-head screw M 10 X 20                           |        | 6   |                                      |
| 14  | N 015 375 1    | lock washer  |        | 6   |                                      |
| 15  | 911 341 049 01 | ball joint F 47229 19033                           | 72-    | 2   | 914-4/1,7<br>914-1,8/1,8V<br>914-2,0 |
| 15  | 901 341 049 00 | ball joint F >>47229 19032                         |        | 2   | 914-6/4                              |

|       |      |    |    |              |              |     |              |            |         |     |         |
|-------|------|----|----|--------------|--------------|-----|--------------|------------|---------|-----|---------|
| Model | Year | MG | SG | Illustration | Restrictions | UPD | 18:18        | 30.01.2010 | PORSCHE | PET | PORSCHE |
| 914   | 1976 | 4  | 02 | 402-00       |              | 248 | USA / CANADA |            |         |     |         |

| Pos  | Part Number    | Description                                       | Remark | Qty | Model                                | Pos  | Part Number    | Description  | Remark | Qty | Model                                |
|------|----------------|---|--------|-----|--------------------------------------|------|----------------|--|--------|-----|--------------------------------------|
| 16   | 901 341 049 00 | ball joint<br>F >>47229 19032                     |        | 2   | 914-6/4                              | 31   | 311 405 625 D  | taper roller bearing<br>inner                            |        | 2   |                                      |
| 17   | 901 341 425 00 | grooved nut                                       |        | 2   |                                      | 32   | 999 059 065 00 | taper roller bearing<br>outer                            |        | 2   | 914-6                                |
| 18   | 901 341 426 00 | tab washer  |        | 2   |                                      | 32   | 311 405 645    | taper roller bearing<br>outer                            |        | 2   |                                      |
| 19   | N 012 521 1    | cotter pin<br>2 X 20                              |        | 2   |                                      | 33   | 477 405 641    | radial sealing ring                                      |        | 2   | 914-6                                |
| 20   | 900 075 111 01 | hexagon-head bolt<br>M 10 X 30<br>F >>47229 19032 |        | 2   | 914-6/4                              | 33   | 311 405 641 B  | sealing ring   |        | 2   |                                      |
| 21   | 999 523 103 01 | lock washer<br>F >>47229 19032                    |        | 2   | 914-6/4                              | 34   | 901 341 663 00 | washer   |        | 2   | 914-6                                |
| 22   | 901 341 659 00 | desk pad<br>F >>47229 19032                       |        | 2   | 914-6/4                              | 34   | 311 405 661    | thrust washer  |        | 2   |                                      |
| 23   | 911 341 119 06 | threaded pin<br>F 47229 19033                     | 72-    | 2   | 914-4/1,7<br>914-1,8/1,8V<br>914-2,0 | (35) | 131 405 669    | clamping nut<br>with<br>pan-head screw                   | /L     | 1   |                                      |
| 24   | 900 089 006 02 | washer<br>8<br>F 47229 19033                      | 72-    | 2   | 914-4/1,7<br>914-1,8/1,8V<br>914-2,0 | (35) | 131 405 670    | clamping nut<br>with<br>pan-head screw                   | /R     | 1   |                                      |
| 25   | 900 910 022 09 | lock nut<br>M 8<br>F 47229 19033                  | 72-    | 2   | 914-4/1,7<br>914-1,8/1,8V<br>914-2,0 | 36   | 999 119 001 01 | pan-head screw   |        | 2   | 914-6                                |
| 26   | 999 701 084 50 | o-ring<br>OR 25,3 - 2,4                           |        | 2   | 914-6                                | 37   | 421 839 455    | rubber ring  |        | 2   | 914-4/1,7<br>914-1,8/1,8V<br>914-2,0 |
| 27   | 901 341 623 00 | spacer ring                                       |        | 2   | 914-6                                | (38) | 111 405 691 B  | cap<br>for<br>hub<br>use also:<br>stopper<br>311.405.381 |        | 2   | 914-4                                |
| 28   | 901 341 065 04 | front wheel hub                                   |        | 2   | 914-6                                | -    | 311 405 381    | stopper  |        | 2   | 914-4                                |
| 29   | 904 341 671 00 | wheel bolt<br>knurling<br>14,8 MM                 |        | 10  | 914-6                                | 38   | 914 341 684 00 | cap  |        | 2   | 914-6                                |
| (29) | 904 341 671 00 | wheel bolt<br>knurling<br>15 MM<br>oversize       |        | X   | 914-6                                | (38) | 111 405 691 B  | cap<br>F 47329 02511>>                                   | 73-    | 2   | 914-1,7/1,8V<br>914-1,8/2,0          |
| 30   | --- --- --- -- | brake disc<br>see group<br>6/02/00                |        | 2   | 914-4/1,7<br>914-1,8/1,8V<br>914-2,0 |      |                |  |        |     |                                      |
| 31   | 999 059 098 00 | taper roller bearing<br>inner                     |        | 2   | 914-6                                |      |                |  |        |     |                                      |

|       |      |    |    |              |              |     |              |            |         |     |         |
|-------|------|----|----|--------------|--------------|-----|--------------|------------|---------|-----|---------|
| Model | Year | MG | SG | Illustration | Restrictions | UPD | 18:18        | 30.01.2010 | PORSCHE | PET | PORSCHE |
| 914   | 1976 | 4  | 03 | 403-00       |              | 248 | USA / CANADA |            |         |     |         |



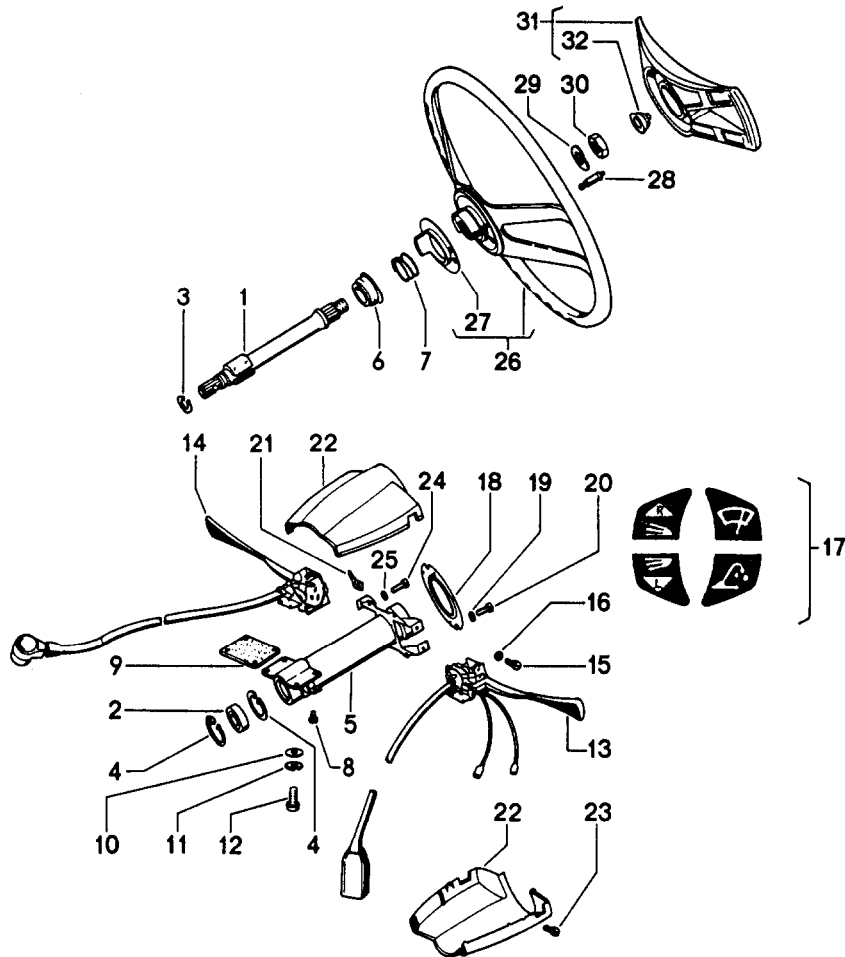
| Pos | Part Number      | Description   | Remark | Qty | Model       |
|-----|------------------|---|--------|-----|-------------|
|     |                  | steering gear<br>steering linkage   |        |     |             |
| 1   | > 914 347 010 06 | steering gear   |        | 1   |             |
| 2   | 900 027 016 02   | lock ring<br>B 10   |        | 2   |             |
| 3   | N 010 253 7      | hexagon-head bolt<br>M 10 X 22  |        | 2   | 914-6/4     |
| 3   | N 010 275 4      | hexagon-head bolt<br>M 10 X 35  |        | 2   |             |
| 4   | 901 347 056 02   | bellow support  |        | 2   |             |
| (4) | 911 347 056 00   | steer angle limitation<br>together with<br>with<br>wheels<br>195/65 HR 15 |        | 2   |             |
| 5   | 914 347 057 00   | articulated bush  |        | 2   |             |
| 6   | 901 347 191 02   | bellows   |        | 2   |             |
| 7   | 901 347 308 00   | retainer spring   |        | 2   |             |
| 8   | 901 347 309 00   | retainer spring   |        | 2   |             |
| 9   | 911 347 031 00   | tie rod   |        | 2   |             |
| 10  | 111 415 841 A    | clamp   |        | 4   | 914-6/4/1,7 |
| 11  | A 900 075 099 02 | hexagon-head bolt<br>M 8 X 30   |        | 4   | 914-6/4/1,7 |
| 12  | A 900 027 015 02 | lock ring<br>B 8  |        | 4   | 914-6/4/1,7 |
| 13  | A 900 076 025 02 | hexagon nut<br>M 8  |        | 4   | 914-6/4/1,7 |
| 14  | 911 347 322 04   | ball joint  |        | 2   |             |
| 15  | N 011 210 1      | castle nut<br>M 10 X 1  |        | 2   |             |
| 16  | 900 021 013 00   | cotter pin<br>2 X 25  |        | 2   |             |
| 17  | A 901 347 315 01 | joint fork  |        | 2   |             |
| 17  | 901 347 315 03   | joint fork  |        | 2   |             |
| 18  | 911 347 327 00   | hexagon-head bolt   |        | 2   |             |

|       |      |    |    |              |              |     |              |            |         |     |         |
|-------|------|----|----|--------------|--------------|-----|--------------|------------|---------|-----|---------|
| Model | Year | MG | SG | Illustration | Restrictions | UPD | 18:18        | 30.01.2010 | PORSCHE | PET | PORSCHE |
| 914   | 1976 | 4  | 03 | 403-00       |              | 248 | USA / CANADA |            |         |     |         |

| Pos | Part Number    | Description                   | Remark | Qty | Model                                | Pos | Part Number   | Description | Remark | Qty | Model |
|-----|----------------|-------------------------------|--------|-----|--------------------------------------|-----|---------------|-------------|--------|-----|-------|
| 19  | N 015 375 1    | lock washer<br>M 10           |        | 2   |                                      | 36  | 113 415 431 A | hexagon nut | -71    | 3   | 914-4 |
| 20  | N 012 515 1    | cotter pin<br>2 X 15          |        | 2   |                                      | 36  | 113 415 431 A | hexagon nut | 72-    | 4   |       |
| 21  | 914 347 210 00 | steering shaft                |        | 1   |                                      |     |               |             |        |     |       |
| 22  | 901 347 201 02 | steering coupling             |        | 1   |                                      |     |               |             |        |     |       |
| 23  | 901 347 215 00 | stop bush                     |        | 4   |                                      |     |               |             |        |     |       |
| 24  | 901 347 248 00 | tab washer                    |        | 2   |                                      |     |               |             |        |     |       |
| 25  | 900 074 129 02 | hexagon-head bolt<br>M 8 X 42 |        | 4   |                                      |     |               |             |        |     |       |
| 26  | 901 347 241 01 | steering shaft bearing        |        | 1   |                                      |     |               |             |        |     |       |
| 27  | 901 347 221 00 | housing                       |        | 1   |                                      |     |               |             |        |     |       |
| 28  | 900 119 052 02 | pan-head screw<br>M 8 X 16    |        | 2   |                                      |     |               |             |        |     |       |
| 29  | N 012 027 1    | lock ring<br>B 8              |        | 2   |                                      |     |               |             |        |     |       |
| 30  | 901 347 223 03 | lever                         |        | 1   |                                      |     |               |             |        |     |       |
| 31  | 914 347 393 00 | sealing bellows               |        | 1   |                                      |     |               |             |        |     |       |
| 32  | 914 347 706 01 | gasket                        |        | 1   |                                      |     |               |             |        |     |       |
| 33  | 914 347 214 02 | intermed. steering shaft      |        | 1   | 914-6                                |     |               |             |        |     |       |
| 33  | 914 347 214 01 | intermed. steering shaft      | -71    | 1   | 914-4                                |     |               |             |        |     |       |
| 33  | 914 347 214 02 | intermed. steering shaft      | 72-    | 1   | 914-4/1,7<br>914-1,8/1,8V<br>914-2,0 |     |               |             |        |     |       |
| 34  | 930 347 025 00 | universal joint               | -71    | 2   | 914-6                                |     |               |             |        |     |       |
| 34  | 930 347 025 00 | universal joint               | -71    | 1   | 914-4                                |     |               |             |        |     |       |
| 34  | 930 347 025 00 | universal joint               | 72-    | 2   |                                      |     |               |             |        |     |       |
| 35  | N 010 335 5    | hexagon-head bolt<br>M 8 X 35 | -71    | 4   | 914-6                                |     |               |             |        |     |       |
| 35  | N 010 335 5    | hexagon-head bolt<br>M 8 X 35 | -71    | 3   | 914-4                                |     |               |             |        |     |       |
| 35  | N 010 335 5    | hexagon-head bolt<br>M 8 X 35 | 72-    | 4   |                                      |     |               |             |        |     |       |
| 36  | 113 415 431 A  | hexagon nut                   | -71    | 4   | 914-6                                |     |               |             |        |     |       |

|       |      |    |    |              |              |     |              |            |         |     |         |
|-------|------|----|----|--------------|--------------|-----|--------------|------------|---------|-----|---------|
| Model | Year | MG | SG | Illustration | Restrictions | UPD | 18:19        | 30.01.2010 | PORSCHE | PET | PORSCHE |
| 914   | 1976 | 4  | 03 | 403-05       |              | 248 | USA / CANADA |            |         |     |         |

bis Mod. 71



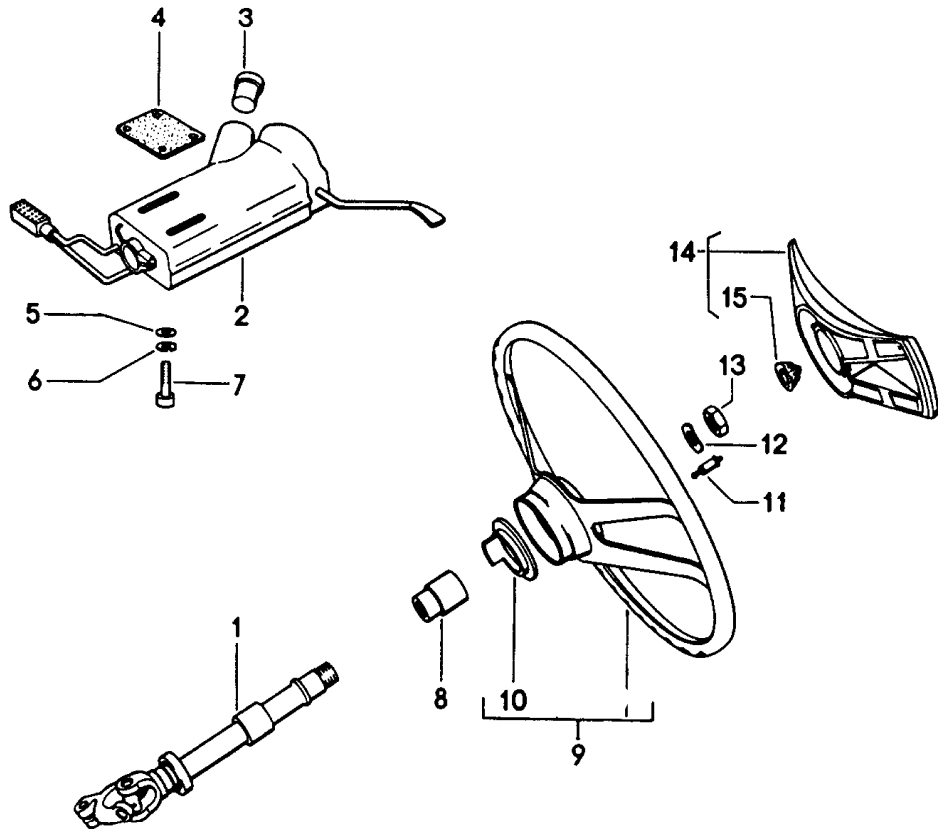
| Pos | Part Number     | Description   | Remark | Qty | Model |
|-----|-----------------|---|--------|-----|-------|
|     |                 | steering shaft<br>steering wheel<br>steering column switch    | -71    |     | 914-6 |
| 1   | 901 347 061 01  | steering shaft  |        | 1   |       |
| 2   | 900 052 031 00  | deep-groove ball bearing                                      |        | 1   |       |
| 3   | 900 041 008 00  | circlip<br>17 X 1   |        | 1   |       |
| 4   | 900 042 008 00  | circlip<br>35 X 1,5   |        | 2   |       |
| 5   | 914 347 072 00  | steering outer tube   |        | 1   |       |
| 6   | 914 347 711 00  | steering shaft bearing  |        | 1   |       |
| 7   | 914 347 713 00  | compression spring  |        | 1   |       |
| 8   | 900 146 044 02  | oval-head screw<br>AM 6 X 10                                  |        | 1   |       |
| 10  | 900 031 001 02  | washer<br>8,4   |        | 4   |       |
| 11  | 900 027 005 01  | lock ring<br>A 8  |        | 4   |       |
| 12  | 900 067 057 02  | pan-head screw<br>M 8 X 20                                    |        | 4   |       |
| 13  | --- --- --- --- | direction indicator switch<br>see group<br>9/03/10            |        | 1   |       |
| 14  | --- --- --- --- | wiper switch<br>see group<br>9/03/10                          |        | 1   |       |
| 15  | 900 014 069 02  | pan-head screw<br>AM 3 X 8                                    |        | 4   |       |
| 16  | 900 115 007 01  | serrated lock washer<br>A 3,2                                 |        | 4   |       |
| 17  | 901 559 330 01  | logo<br>1 set<br>for light<br>and<br>windscreen washer system |        | 1   |       |
| 18  | 901 613 915 00  | contact plate<br>for<br>horn                                  |        | 1   |       |

|       |      |    |    |              |              |     |              |            |         |     |         |
|-------|------|----|----|--------------|--------------|-----|--------------|------------|---------|-----|---------|
| Model | Year | MG | SG | Illustration | Restrictions | UPD | 18:19        | 30.01.2010 | PORSCHE | PET | PORSCHE |
| 914   | 1976 | 4  | 03 | 403-05       |              | 248 | USA / CANADA |            |         |     |         |

| Pos  | Part Number    | Description                        | Remark | Qty | Model | Pos | Part Number | Description | Remark | Qty | Model |
|------|----------------|------------------------------------|--------|-----|-------|-----|-------------|-------------|--------|-----|-------|
| 19   | N 012 116 1    | serrated lock washer<br>A 4,3      |        | 2   |       |     |             |             |        |     |       |
| 20   | 900 014 013 02 | pan-head screw<br>M 4 X 10         |        | 2   |       |     |             |             |        |     |       |
| 21   | 999 652 315 02 | flat plug                          |        | 1   |       |     |             |             |        |     |       |
| 22   | 914 613 311 00 | switch housing                     |        | 2   |       |     |             |             |        |     |       |
| 23   | 900 014 079 02 | pan-head screw<br>M 3 X 10         |        | 2   |       |     |             |             |        |     |       |
| 24   | 900 014 013 02 | pan-head screw<br>M 4 X 10         |        | 4   |       |     |             |             |        |     |       |
| 25   | N 012 116 1    | serrated lock washer<br>A 4,3      |        | 4   |       |     |             |             |        |     |       |
| 26   | 914 347 803 10 | steering wheel<br>hard-rubber ring |        | 1   |       |     |             |             |        |     |       |
| (26) | 914 347 806 10 | steering wheel<br>leather          |        | 1   |       |     |             |             |        |     |       |
| 27   | 901 613 325 05 | cancelling ring                    |        | 1   |       |     |             |             |        |     |       |
| -    | 900 269 006 07 | countersunk-head screw             |        | 2   |       |     |             |             |        |     |       |
| 28   | 914 347 831 00 | contacts                           |        | 1   |       |     |             |             |        |     |       |
| 29   | N 012 239 1    | spring washer<br>B 18              |        | 1   |       |     |             |             |        |     |       |
| 30   | 900 078 007 02 | hexagon nut<br>M 18 X 1,5          |        | 1   |       |     |             |             |        |     |       |
| 31   | 914 613 805 12 | horn button<br>porsche             |        | 1   |       |     |             |             |        |     |       |
| 32   | 901 347 823 01 | rubber cap                         |        | 1   |       |     |             |             |        |     |       |

|       |      |    |    |              |              |     |              |            |         |     |         |
|-------|------|----|----|--------------|--------------|-----|--------------|------------|---------|-----|---------|
| Model | Year | MG | SG | Illustration | Restrictions | UPD | 18:19        | 30.01.2010 | PORSCHE | PET | PORSCHE |
| 914   | 1976 | 4  | 03 | 403-07       |              | 248 | USA / CANADA |            |         |     |         |

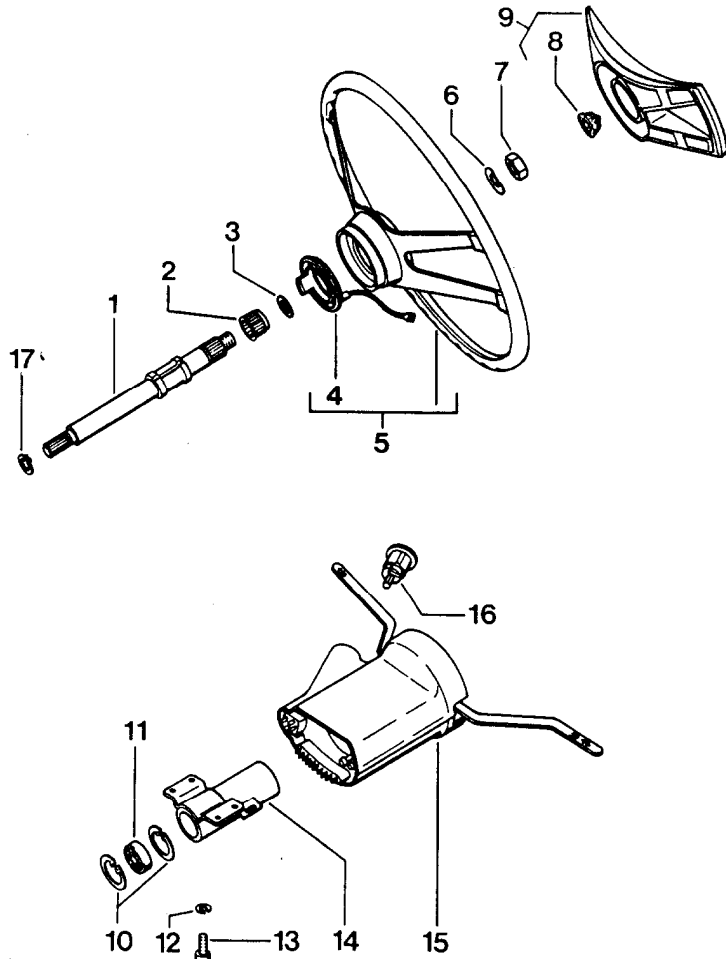
bis Mod. 71



| Pos | Part Number     | Description  | Remark | Qty | Model |
|-----|-----------------|--|--------|-----|-------|
|     |                 | steering shaft<br>steering wheel<br>steering column switch | -71    |     | 914-4 |
| 1   | 914 347 059 01  | steering shaft   |        | 1   |       |
| 2   | --- --- --- --- | steering column switch<br>see group<br>9/03/15             |        | 1   |       |
| 3   | --- --- --- --- | lock cylinder<br>with keys<br>see group<br>9/03/15         |        | 1   |       |
| 4   | 914 347 102 10  | desk pad<br>rubber<br>black                                |        | 1   |       |
| 5   | 900 031 001 02  | washer<br>8,4  |        | 4   |       |
| 6   | 900 027 005 01  | lock ring<br>A 8   |        | 4   |       |
| 7   | N 014 717 2     | pan-head screw<br>M 8 X 40                                 |        | 4   |       |
| 8   | 914 347 174 00  | bush   |        | 1   |       |
| 9   | 914 347 803 10  | steering wheel<br>hard-rubber ring                         |        | 1   |       |
| 9   | 914 347 805 10  | steering wheel<br>leather                                  |        | 1   |       |
| -   | 914 347 175 00  | sleeve   |        | 1   |       |
| 10  | 914 347 835 00  | cancelling ring  |        | 1   |       |
| -   | 900 269 006 07  | countersunk-head screw                                     |        | 2   |       |
| 11  | 914 347 832 00  | contacts   |        | 1   |       |
| 12  | N 012 239 1     | spring washer<br>B 18                                      |        | 1   |       |
| 13  | 900 078 007 02  | hexagon nut<br>M 18 X 1,5                                  |        | 1   |       |
| 14  | 914 613 805 12  | horn button<br>-VW-  |        | 1   |       |
| 14  | 914 613 805 12  | horn button<br>-PORSCHE-                                   |        | 1   |       |
| 15  | 901 347 823 01  | rubber cap   |        | 1   |       |

|       |      |    |    |              |              |     |              |            |         |     |         |
|-------|------|----|----|--------------|--------------|-----|--------------|------------|---------|-----|---------|
| Model | Year | MG | SG | Illustration | Restrictions | UPD | 18:19        | 30.01.2010 | PORSCHE | PET | PORSCHE |
| 914   | 1976 | 4  | 03 | 403-10       |              | 248 | USA / CANADA |            |         |     |         |

ab Mod.72



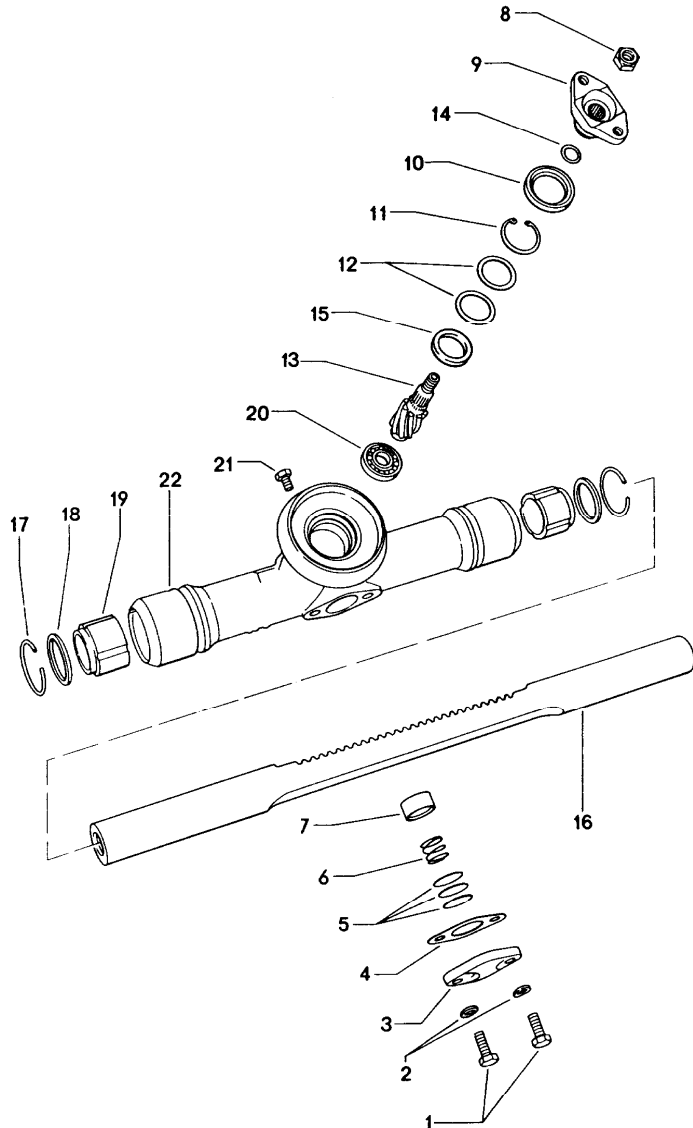
| Pos | Part Number    | Description  | Remark     | Qty | Model  |
|-----|----------------|--|------------|-----|--------|
|     |                | steering shaft<br>steering wheel<br>steering column switch | 72-        |     |        |
| 1   | 914 347 061 18 | steering shaft   |            | 1   |        |
| 2   | 111 953 535 D  | guide bush   | 72-74      | 1   |        |
| 3   | 113 415 531    | circlip  |            | 1   |        |
| 4   | 914 347 099 00 | slip ring  |            | 1   |        |
| -   | 900 269 006 07 | countersunk-head screw                                     |            | 2   |        |
| 5   | 914 347 804 11 | steering wheel<br>hard-rubber ring                         |            | 1   |        |
| 5   | 914 347 805 11 | steering wheel<br>leather                                  |            | 1   | 914-6  |
| 5   | 914 347 805 11 | steering wheel<br>leather                                  |            | 1   | M914-4 |
| (5) | 914 347 809 00 | steering wheel<br>foam part                                |            | 1   |        |
| 6   | N 012 239 1    | spring washer  |            | 1   |        |
| 7   | 900 078 007 02 | hexagon nut<br>M 18 X 1,5                                  |            | 1   |        |
| 8   | 901 347 823 01 | rubber cap   |            | 1   |        |
| 9   | 914 613 805 12 | horn button<br>-VW-  |            | 1   |        |
| 9   | 914 613 805 12 | horn button<br>porsche                                     |            | 1   |        |
| 10  | 900 042 008 00 | circlip<br>35 X 1,5  |            | 2   |        |
| 11  | 900 052 031 00 | deep-groove ball bearing                                   |            | 1   |        |
| 12  | 900 027 005 01 | lock ring<br>A 8   |            | 4   |        |
| 13  | 900 067 057 02 | pan-head screw   |            | 4   |        |
| 14  | 914 347 013 02 | steering outer tube  | 72-73      | 1   |        |
| 14  | 914 347 013 03 | steering outer tube  | 74-        | 1   |        |
| 15  | --- --- --- -- | steering column switch<br>see group<br>9/03/20<br>9/03/25  | -74<br>75- | 1   |        |



|       |      |    |    |              |              |     |              |            |         |     |         |
|-------|------|----|----|--------------|--------------|-----|--------------|------------|---------|-----|---------|
| Model | Year | MG | SG | Illustration | Restrictions | UPD | 18:19        | 30.01.2010 | PORSCHE | PET | PORSCHE |
| 914   | 1976 | 4  | 03 | 403-10       |              | 248 | USA / CANADA |            |         |     |         |

| Pos | Part Number | Description                                      | Remark     | Qty | Model | Pos | Part Number | Description | Remark | Qty | Model |
|-----|-------------|--|------------|-----|-------|-----|-------------|-------------|--------|-----|-------|
| 16  | --- --- --- | lock cylinder<br>see group<br>9/03/20<br>9/03/25 | -74<br>75- | 1   |       |     |             |             |        |     |       |

|       |      |    |    |              |              |     |              |            |         |     |         |
|-------|------|----|----|--------------|--------------|-----|--------------|------------|---------|-----|---------|
| Model | Year | MG | SG | Illustration | Restrictions | UPD | 18:19        | 30.01.2010 | PORSCHE | PET | PORSCHE |
| 914   | 1976 | 4  | 03 | 403-15       |              | 248 | USA / CANADA |            |         |     |         |

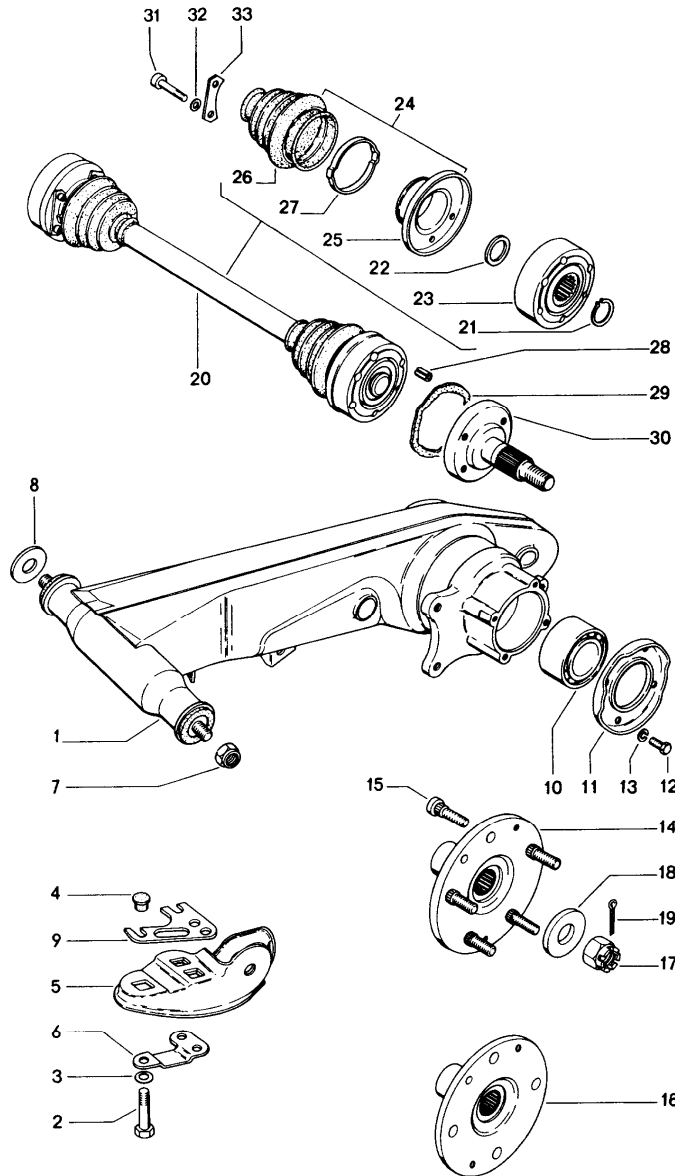


| Pos  | Part Number    | Description  | Remark | Qty | Model |
|------|----------------|--|--------|-----|-------|
|      |                | steering gear<br>repair material                         |        |     |       |
|      |                | for<br>steering gear<br>914.347.010.00<br>914.347.010.03 |        |     |       |
|      |                | not for<br>914-6   |        |     |       |
| 1    | N 010 239 11   | hexagon-head bolt<br>M 8 X 18                            |        | 2   |       |
| 2    | N 012 241 1    | spring washer<br>B 8 X 15                                |        | 2   |       |
| 3    | 914 347 131 01 | housing cover  |        | 1   |       |
| 4    | 914 347 167 00 | gasket   |        | 1   |       |
| 5    | 914 347 166 00 | adjusting shim<br>0,1 MM                                 |        | X   |       |
| (5)  | 914 347 166 01 | adjusting shim<br>0,15 MM                                |        | X   |       |
| (5)  | 914 347 166 02 | adjusting shim<br>0,2 MM                                 |        | X   |       |
| (5)  | 914 347 166 03 | adjusting shim<br>0,5 MM                                 |        | X   |       |
| (5)  | 914 347 166 04 | adjusting shim<br>1,8 MM                                 |        | 1   |       |
| 6    | 901 347 930 02 | compression spring                                       |        | 1   |       |
| 7    | 914 347 018 00 | thrust ring  |        | 1   |       |
| 8    | N 021 195 1    | nut<br>M 10  |        | 1   |       |
| 9    | 914 347 201 00 | flange   |        | 1   |       |
| 10   | 900 112 019 40 | radial shaft seal  |        | 1   |       |
| 11   | 900 042 007 00 | circlip<br>32 X 1,2                                      |        | 1   |       |
| 12   | 914 347 163 00 | shim<br>0,1 MM   |        | X   |       |
| (12) | 914 347 163 01 | shim<br>0,15 MM  |        | X   |       |

|       |      |    |    |              |              |     |              |            |         |     |         |
|-------|------|----|----|--------------|--------------|-----|--------------|------------|---------|-----|---------|
| Model | Year | MG | SG | Illustration | Restrictions | UPD | 18:19        | 30.01.2010 | PORSCHE | PET | PORSCHE |
| 914   | 1976 | 4  | 03 | 403-15       |              | 248 | USA / CANADA |            |         |     |         |

| Pos  | Part Number    | Description                  | Remark | Qty | Model | Pos | Part Number | Description | Remark | Qty | Model |
|------|----------------|------------------------------|--------|-----|-------|-----|-------------|-------------|--------|-----|-------|
| (12) | 914 347 163 02 | shim<br>0,3 MM               |        | X   |       |     |             |             |        |     |       |
| (12) | 914 347 163 03 | shim<br>1,8 MM               |        | X   |       |     |             |             |        |     |       |
| 13   | 914 347 117 00 | drive pinion                 |        | 1   |       |     |             |             |        |     |       |
| 14   | 999 701 352 40 | o-ring<br>R 12 - 1,7         |        | 1   |       |     |             |             |        |     |       |
| 15   | 900 052 007 00 | deep-groove ball bearing     |        | 1   |       |     |             |             |        |     |       |
| 16   | 914 347 111 00 | steering rack                |        | 1   |       |     |             |             |        |     |       |
| 17   | 900 152 013 00 | circlip                      |        | 2   |       |     |             |             |        |     |       |
| 18   | 914 347 162 00 | support washer               |        | 2   |       |     |             |             |        |     |       |
| 19   | 914 347 017 01 | bearing sleeve               |        | 2   |       |     |             |             |        |     |       |
| 20   | 900 052 007 00 | deep-groove ball bearing     |        | 1   |       |     |             |             |        |     |       |
| 21   | N 010 231 1    | hexagon-head bolt<br>M 8 X 8 |        | 1   |       |     |             |             |        |     |       |
| 22   | 914 347 014 00 | housing                      |        | 1   |       |     |             |             |        |     |       |

|       |      |    |    |              |              |     |              |            |         |     |         |
|-------|------|----|----|--------------|--------------|-----|--------------|------------|---------|-----|---------|
| Model | Year | MG | SG | Illustration | Restrictions | UPD | 18:19        | 30.01.2010 | PORSCHE | PET | PORSCHE |
| 914   | 1976 | 5  | 01 | 501-00       |              | 248 | USA / CANADA |            |         |     |         |

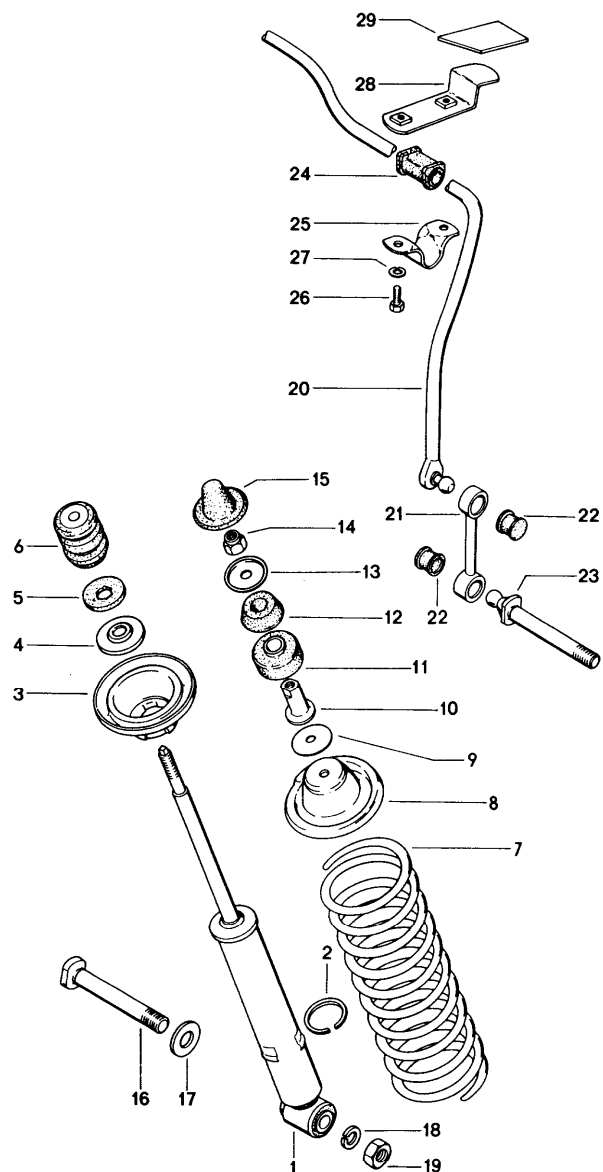


| Pos | Part Number    | Description                 | Remark | Qty | Model |
|-----|----------------|-----------------------------|--------|-----|-------|
|     |                | rear axle                   |        |     |       |
| 1   | 914 331 057 03 | control arm with bearing    | /L     | 1   |       |
| (1) | 914 331 058 03 | control arm with bearing    | /R     | 1   |       |
| 2   | 900 074 192 01 | hexagon-head bolt M 10 X 55 |        | 6   |       |
| 3   | N 015 375 1    | lock washer M 10            |        | 6   |       |
| 4   | PCG 331 520 00 | stopper                     |        | 6   |       |
| 5   | 914 331 051 01 | link bearing                | /L     | 1   |       |
| (5) | 914 331 052 01 | link bearing                | /R     | 1   |       |
| 6   | 914 331 515 01 | plate                       | /L     | 1   |       |
| (6) | 914 331 516 01 | plate                       | /R     | 1   |       |
| 7   | 999 084 029 02 | hexagon nut M 14 X 1,5      |        | 4   |       |
| 8   | N 011 534 4    | washer 15                   |        | 2   |       |
| 9   | 914 331 533 03 | intermediate layer 2 MM     |        | X   |       |
| (9) | 914 331 533 04 | intermediate layer 3 MM     |        | X   |       |
| (9) | 914 331 533 05 | intermediate piece 4 MM     |        | X   |       |
| 10  | 999 053 035 00 | ball bearing two-row        |        | 2   |       |
| 11  | 914 331 213 00 | housing                     |        | 2   |       |
| 12  | 900 075 078 02 | hexagon-head bolt M 8 X 15  |        | 8   |       |
| 13  | 900 027 015 02 | lock ring B 8               |        | 8   |       |
| 14  | 901 331 065 09 | rear-wheel hub              |        | 2   | 914-6 |
| 15  | 904 341 671 00 | wheel bolt                  |        | 10  | 914-6 |

|       |      |    |    |              |              |     |              |            |         |     |         |
|-------|------|----|----|--------------|--------------|-----|--------------|------------|---------|-----|---------|
| Model | Year | MG | SG | Illustration | Restrictions | UPD | 18:19        | 30.01.2010 | PORSCHE | PET | PORSCHE |
| 914   | 1976 | 5  | 01 | 501-00       |              | 248 | USA / CANADA |            |         |     |         |

| Pos  | Part Number    | Description                | Remark | Qty | Model                                | Pos | Part Number | Description | Remark | Qty | Model |
|------|----------------|----------------------------|--------|-----|--------------------------------------|-----|-------------|-------------|--------|-----|-------|
| 16   | 914 331 605 07 | rear-wheel hub             |        | 2   | 914-4/1,7<br>914-1,8/2,0             |     |             |             |        |     |       |
| 17   | 901 332 806 00 | castle nut                 |        | 2   |                                      |     |             |             |        |     |       |
| 18   | 999 025 046 01 | washer                     |        | 2   |                                      |     |             |             |        |     |       |
| 19   | N 012 538 1    | cotter pin<br>4 X 40       |        | 2   |                                      |     |             |             |        |     |       |
| 20   | 914 332 009 03 | drive shaft<br>complete    |        | 2   |                                      |     |             |             |        |     |       |
| (20) | 914 332 009 03 | drive shaft<br>complete    |        | 2   | 914-6                                |     |             |             |        |     |       |
| (21) | 999 041 016 01 | circlip                    |        | 4   | 914-6                                |     |             |             |        |     |       |
| 21   | 113 517 279    | circlip                    |        | 4   | 914-4/1,7<br>914-1,8/1,8V<br>914-2,0 |     |             |             |        |     |       |
| 22   | 113 501 327    | cup spring                 |        | 4   | 914-4/1,7<br>914-1,8/1,8V<br>914-2,0 |     |             |             |        |     |       |
| 23   | 914 332 029 03 | constant-velocity joint    |        | 4   | 914-4/1,7<br>914-1,8/1,8V<br>914-2,0 |     |             |             |        |     |       |
| 24   | 914 332 035 00 | sealing sleeve             |        | 4   | 914-4/1,7<br>914-1,8/1,8V<br>914-2,0 |     |             |             |        |     |       |
| 25   | 914 332 228 01 | protection cap             |        | 4   | 914-6                                |     |             |             |        |     |       |
| 26   | 901 332 293 10 | boot                       |        | 4   | 914-6                                |     |             |             |        |     |       |
| 27   | 914 332 335 00 | clamp                      |        | 4   | 914-6                                |     |             |             |        |     |       |
| 28   | 999 095 019 00 | clamping pin<br>S 10 X 20  |        | 8   |                                      |     |             |             |        |     |       |
| 29   | 914 332 237 01 | gasket                     |        | 4   |                                      |     |             |             |        |     |       |
| 30   | PCG 332 223 00 | drive flange               |        | 2   | 914-6                                |     |             |             |        |     |       |
| (30) | 914 332 223 01 | drive shaft                |        | 2   | 914-4/1,7<br>914-1,8/2,0             |     |             |             |        |     |       |
| 31   | 893 407 237    | pan-head screw<br>M 8 X 45 |        | 16  |                                      |     |             |             |        |     |       |
| 32   | 999 523 102 02 | lock washer<br>M 8         |        | 16  | 914-6                                |     |             |             |        |     |       |
| 33   | 901 332 191 00 | plate                      |        | 8   |                                      |     |             |             |        |     |       |

|       |      |    |    |              |              |     |              |            |         |     |         |
|-------|------|----|----|--------------|--------------|-----|--------------|------------|---------|-----|---------|
| Model | Year | MG | SG | Illustration | Restrictions | UPD | 18:20        | 30.01.2010 | PORSCHE | PET | PORSCHE |
| 914   | 1976 | 5  | 02 | 502-00       |              | 248 | USA / CANADA |            |         |     |         |

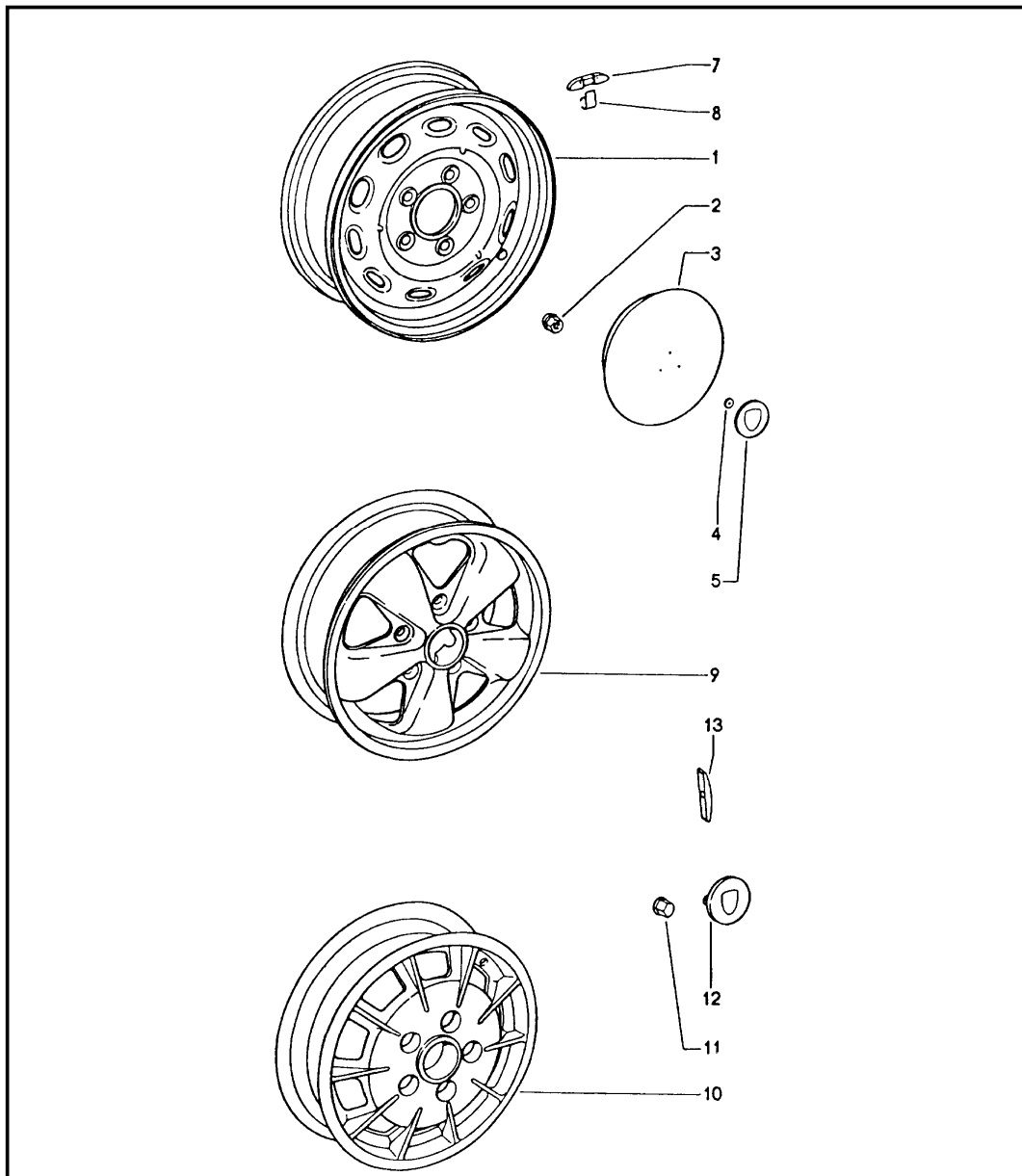


| Pos  | Part Number    | Description                       | Remark | Qty | Model                                |
|------|----------------|-----------------------------------|--------|-----|--------------------------------------|
| 1    | 914 333 051 01 | vibration damper stabiliser       |        | 2   | 914-6                                |
| 1    | 914 333 051 02 | vibration damper - boge -         |        | 2   | 914-4/1,7<br>914-1,8/1,8V<br>914-2,0 |
| 3    | 914 333 521 01 | concave washer - boge - lower     |        | 2   |                                      |
| (3)  | 914 333 521 04 | concave washer - bilstein - lower |        | 2   | 914-4/1,7<br>914-1,8/1,8V<br>914-2,0 |
| -    | 914 333 533 01 | support ring - bilstein -         |        | 2   | 914-4/1,7<br>914-1,8/1,8V<br>914-2,0 |
| 4    | 914 333 503 00 | cap - boge -                      |        | 2   |                                      |
| 5    | 901 333 511 00 | washer                            |        | 2   |                                      |
| 6    | 914 333 053 01 | additional spring                 |        | 2   |                                      |
| 7    | 914 333 531 05 | coil spring                       |        | 1   | 914-6                                |
|      | 104            | set 2 ST.                         |        |     |                                      |
| 7    | 914 333 901 00 | coil spring set 2 ST.             |        | 1   | 914-4/1,7<br>914-1,8/1,8V<br>914-2,0 |
| 8    | 914 333 522 01 | concave washer upper              |        | 2   |                                      |
| 9    | 914 333 515 01 | washer                            |        | 2   |                                      |
| 10   | 914 333 516 00 | threaded bush                     |        | 2   |                                      |
| 11   | 914 333 513 01 | articulated ring                  |        | 2   |                                      |
| 12   | 914 333 514 01 | articulated ring upper            |        | 2   |                                      |
| 13   | 914 333 515 00 | washer                            |        | 2   |                                      |
| 14   | 900 910 042 02 | nut                               |        | 2   | 914-6                                |
| (14) | 900 910 042 02 | nut                               |        | 2   | 914-4/1,7<br>914-1,8/1,8V<br>914-2,0 |

|       |      |    |    |              |              |     |              |            |         |     |         |
|-------|------|----|----|--------------|--------------|-----|--------------|------------|---------|-----|---------|
| Model | Year | MG | SG | Illustration | Restrictions | UPD | 18:20        | 30.01.2010 | PORSCHE | PET | PORSCHE |
| 914   | 1976 | 5  | 02 | 502-00       |              | 248 | USA / CANADA |            |         |     |         |

| Pos | Part Number    | Description                   | Remark | Qty | Model       | Pos | Part Number | Description | Remark | Qty | Model |
|-----|----------------|-------------------------------|--------|-----|-------------|-----|-------------|-------------|--------|-----|-------|
| 15  | 914 559 281 10 | cap                           |        | 2   |             |     |             |             |        |     |       |
| 16  | 914 333 565 01 | bearing pin                   |        | 2   |             |     |             |             |        |     |       |
| 17  | 914 333 566 00 | washer                        |        | 2   |             |     |             |             |        |     |       |
| 18  | 900 027 018 01 | lock ring<br>B 18             |        | 2   |             |     |             |             |        |     |       |
| 19  | 900 078 007 02 | hexagon nut<br>M 18 X 1,5     |        | 2   |             |     |             |             |        |     |       |
| 20  | 914 333 055 06 | stabiliser<br>\$ 16           |        | 1   |             |     |             |             |        |     |       |
| 21  | 914 333 057 00 | fastening clip                |        | 2   |             |     |             |             |        |     |       |
| 22  | 901 343 782 00 | articulated bush              |        | 4   |             |     |             |             |        |     |       |
| 23  | 914 333 565 01 | bearing pin                   |        | 2   |             |     |             |             |        |     |       |
| 24  | 901 333 793 01 | lever                         |        | 2   |             |     |             |             |        |     |       |
| 25  | 901 333 753 01 | supporting bow                |        | 2   |             |     |             |             |        |     |       |
| 26  | 900 075 087 02 | hexagon-head bolt<br>M 8 X 16 |        | 4   |             |     |             |             |        |     |       |
| 27  | 900 027 015 02 | lock ring<br>B 8              |        | 4   |             |     |             |             |        |     |       |
| 28  | 914 501 259 10 | mounting plate                | -74    | 2   |             |     |             |             |        |     |       |
| 28  | 914 507 027 10 | mounting plate                | 75-    | 2   | 914-1,8/2,0 |     |             |             |        |     |       |
| 29  | 914 501 532 71 | reinforcement                 | -74    | 2   |             |     |             |             |        |     |       |

|       |      |    |    |              |              |     |              |            |         |     |         |
|-------|------|----|----|--------------|--------------|-----|--------------|------------|---------|-----|---------|
| Model | Year | MG | SG | Illustration | Restrictions | UPD | 18:20        | 30.01.2010 | PORSCHE | PET | PORSCHE |
| 914   | 1976 | 6  | 01 | 601-00       |              | 248 | USA / CANADA |            |         |     |         |



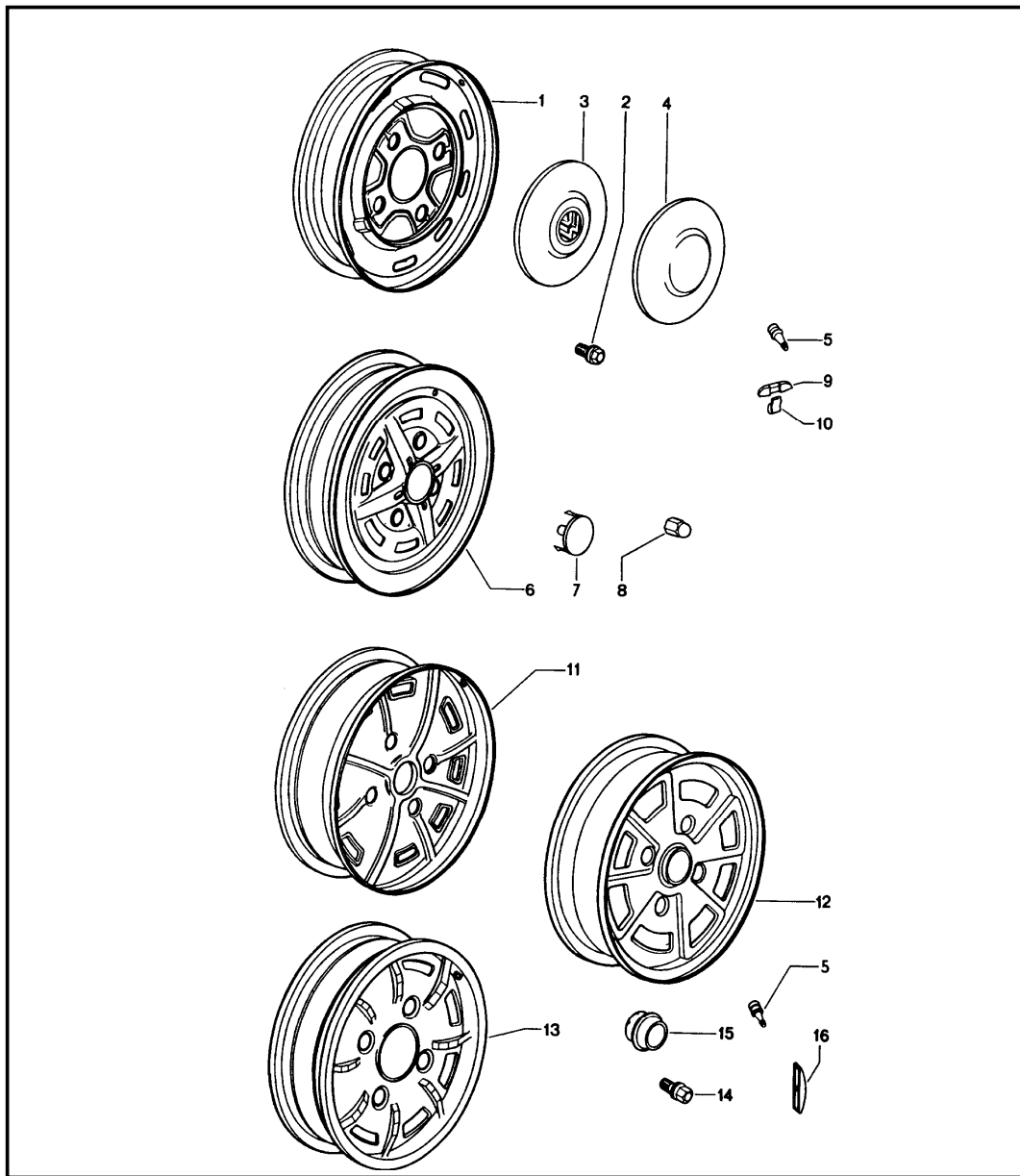
| Pos | Part Number    | Description   | Remark | Qty | Model |
|-----|----------------|---|--------|-----|-------|
|     |                | wheels  |        |     | 914-6 |
| -   | 999 985 056 X0 | tyre<br>- PNEUMANT -<br>165 R15 86V   |        | 5   |       |
| -   | 911 361 056 X0 | hose  |        | 5   |       |
| 1   | 911 361 022 00 | perforated disc wheel<br>5 1/2 J X 15 H2 ET 42<br>prime coated                      |        | 5   |       |
| (1) | 911 361 022 20 | perforated disc wheel<br>5 1/2 J X 15 H2 ET 42<br>chrome                            |        | 5   |       |
| -   | 901 361 121 00 | retainer spring<br>for<br>valve   |        | 5   |       |
| 2   | N 020 112 1    | ball seat nut   |        | 20  |       |
| 3   | 901 361 301 04 | hub cap<br>with<br>bores<br>for<br>badge  |        | 4   |       |
| 4   | 999 591 423 03 | tapping nut   |        | 12  |       |
| 5   | 901 559 801 01 | badge<br>chrome   |        | 4   |       |
| (5) | 644 559 801 00 | badge<br>coloured   |        | 4   |       |
| -   | -              | balance weight<br>for<br>steel wheel<br>and<br>aluminium<br>911.361.016.00<br>inner |        | X   |       |
| 7   | 928 361 410 00 | balance weight<br>10 GR.  |        | X   |       |
| (7) | 928 361 411 00 | balance weight<br>20 GR.  |        | X   |       |
| (7) | 928 361 412 00 | balance weight<br>30 GR.  |        | X   |       |
| (7) | 928 361 413 00 | balance weight<br>40 GR.  |        | X   |       |



|       |      |    |    |              |              |     |              |            |         |     |         |
|-------|------|----|----|--------------|--------------|-----|--------------|------------|---------|-----|---------|
| Model | Year | MG | SG | Illustration | Restrictions | UPD | 18:20        | 30.01.2010 | PORSCHE | PET | PORSCHE |
| 914   | 1976 | 6  | 01 | 601-00       |              | 248 | USA / CANADA |            |         |     |         |

| Pos  | Part Number    | Description   | Remark | Qty | Model | Pos  | Part Number    | Description                       | Remark | Qty | Model |
|------|----------------|---|--------|-----|-------|------|----------------|-----------------------------------|--------|-----|-------|
| (7)  | 928 361 414 00 | balance weight<br>50 GR.  |        | X   |       | (13) | 901 361 412 00 | balance stick-on weight<br>30 GR. |        | X   |       |
| (7)  | 928 361 415 00 | balance weight<br>60 GR.  |        | X   |       | (13) | 901 361 413 00 | balance stick-on weight<br>40 GR. |        | X   |       |
| (7)  | 928 361 416 00 | balance weight<br>70 GR.  |        | X   |       | (13) | 901 361 414 00 | balance stick-on weight<br>50 GR. |        | X   |       |
| (7)  | 928 361 417 00 | balance weight<br>80 GR.  |        | X   |       | (13) | 901 361 415 00 | balance stick-on weight<br>60 GR. |        | X   |       |
| 8    | 914 361 441 00 | retainer spring<br>for<br>weight  |        | X   |       | (13) | 901 361 417 00 | balance stick-on weight<br>80 GR. |        | X   |       |
| 9    | 911 361 016 90 | perforated disc wheel<br>aluminium<br>forged<br>unvarnished<br>5 1/2 J X 14 H2 ET 41                                    |        | 5   |       |      |                |                                   |        |     |       |
| 9    | 901 361 012 04 | perforated disc wheel<br>aluminium<br>forged<br>5 1/2 J X 15 ET 42<br>polished<br>anodised<br>and<br>black<br>lacquered |        | 5   |       |      |                |                                   |        |     |       |
| 10   | 901 361 017 00 | perforated disc wheel<br>aluminium<br>die casting<br>5 1/2 J X 15 ET 42<br>lacquered                                    |        | 5   |       |      |                |                                   |        |     |       |
| 11   | 999 182 003 36 | wheel nut   |        | 20  |       |      |                |                                   |        |     |       |
| 12   | 901 361 032 00 | hub cap   |        | 4   |       |      |                |                                   |        |     |       |
| (12) | SOW 911 038 11 | hub cap<br>black<br>crest<br>coloured   |        | 4   |       |      |                |                                   |        |     |       |
| -    | -              | balance stick-on weight<br>for<br>disc wheel<br>aluminium   |        | X   |       |      |                |                                   |        |     |       |
| 13   | 901 361 410 00 | balance stick-on weight<br>10 GR.   |        | X   |       |      |                |                                   |        |     |       |
| (13) | 901 361 411 00 | balance stick-on weight<br>20 GR.   |        | X   |       |      |                |                                   |        |     |       |

|       |      |    |    |              |              |     |              |            |         |     |         |
|-------|------|----|----|--------------|--------------|-----|--------------|------------|---------|-----|---------|
| Model | Year | MG | SG | Illustration | Restrictions | UPD | 18:20        | 30.01.2010 | PORSCHE | PET | PORSCHE |
| 914   | 1976 | 6  | 01 | 601-05       |              | 248 | USA / CANADA |            |         |     |         |

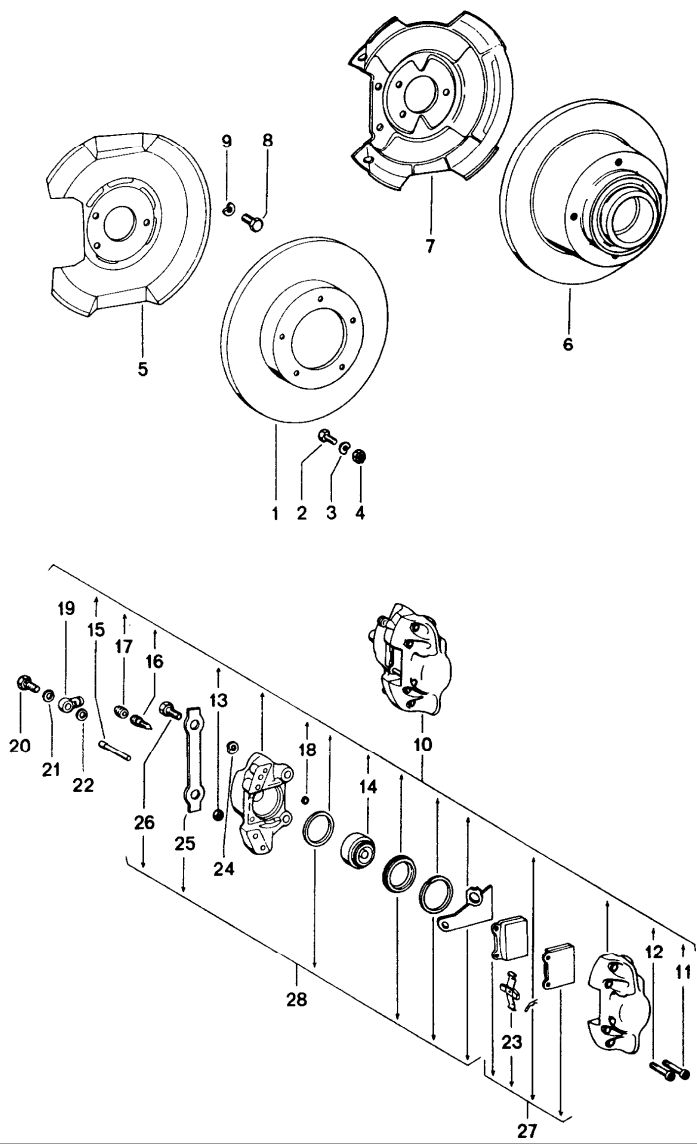


| Pos | Part Number    | Description  | Remark   | Qty | Model                   |
|-----|----------------|--|----------|-----|-------------------------|
| -   | 999 985 056 X0 | wheels<br>tyre<br>- PNEUMANT -<br>165 R15 86V                    |          | 5   | 914                     |
| -   | 911 361 056 X0 | hose   |          | 5   |                         |
| 1   | 311 601 025 J  | disc wheel<br>4 1/2 J X 15<br>lacquered                          | -73      | 5   | 914-4/1,7<br>914-2,0    |
| (1) | 914 361 012 02 | perforated disc wheel<br>5 1/2 J X 15 H2 ET 40<br>lacquered      | -73      | 5   | 914-4/1,7<br>914-2,0    |
| 2   | 183 601 139 A  | fastening screw  |          | 16  |                         |
| 3   | 311 601 151 D  | hub cap<br>with<br>- VW-SYMBOL-                                  | -73      | 4   | 914-4                   |
| 4   | 473 601 151    | hub cap<br>without<br>- VW-SYMBOL                                | -73      | 4   | 914-4/1,7<br>914-2,0    |
| 5   | 900 265 001 50 | rubber valve<br>for<br>tyre<br>without<br>hose                   |          | 5   |                         |
| 6   | 914 361 016 00 | steel wheel<br>5 1/2 J X 15 H2 ET 40                             | 74-      | 5   | 914-1,8V/1,8<br>914-2,0 |
| 7   | 914 361 305 00 | hub cap  | 74-      | 4   | 914-1,8V/1,8<br>914-2,0 |
| 8   | 111 601 173    | cap<br>for<br>wheel bolt<br>balance weight<br>for<br>steel wheel | /2,0 74- | 16  | 914-1,8V/1,8<br>914-2,0 |
| (9) | 928 361 411 00 | balance weight<br>20 GR.   |          | X   |                         |
| (9) | 928 361 412 00 | balance weight<br>30 GR.   |          | X   |                         |
| (9) | 928 361 413 00 | balance weight<br>40 GR.   |          | X   |                         |
| (9) | 928 361 415 00 | balance weight<br>60 GR.   |          | X   |                         |

|       |      |    |    |              |              |     |              |            |         |     |         |
|-------|------|----|----|--------------|--------------|-----|--------------|------------|---------|-----|---------|
| Model | Year | MG | SG | Illustration | Restrictions | UPD | 18:20        | 30.01.2010 | PORSCHE | PET | PORSCHE |
| 914   | 1976 | 6  | 01 | 601-05       |              | 248 | USA / CANADA |            |         |     |         |

| Pos  | Part Number    | Description   | Remark | Qty | Model     | Pos | Part Number | Description | Remark | Qty | Model |
|------|----------------|---|--------|-----|-----------|-----|-------------|-------------|--------|-----|-------|
| (9)  | 928 361 417 00 | balance weight<br>80 GR.  |        | X   |           |     |             |             |        |     |       |
| (9)  | 311 601 189 A  | weight<br>100 GR.   |        | X   |           |     |             |             |        |     |       |
| 10   | 141 601 180    | spring<br>for<br>balance weight   |        | X   |           |     |             |             |        |     |       |
| 11   | 914 361 013 01 | perforated disc wheel<br>light alloy<br>- PEDRINI -<br>5 1/2 J X 15 H2 ET 40  |        | 5   | 914-4/1,7 |     |             |             |        |     |       |
| 12   | 914 361 011 01 | perforated disc wheel<br>light alloy<br>- FUCHS -<br>5 1/2 J X 15 H2 ET 40  |        | 5   |           |     |             |             |        |     |       |
| 13   | 914 361 015 00 | perforated disc wheel<br>light alloy<br>- mahle -<br>5 1/2 J X 15 H2 ET 40<br><br>light alloy<br>- mahle -<br>5 1/2 J X 15 H2 ET 40 |        | 5   |           |     |             |             |        |     |       |
| 14   | 914 361 315 01 | wheel bolt  |        | 16  |           |     |             |             |        |     |       |
| 15   | 914 361 303 03 | hub cap<br><br>balance stick-on weight<br>for<br>alloy wheels   |        | 4   |           |     |             |             |        |     |       |
| (16) | 901 361 410 00 | balance stick-on weight<br>10 GR.   |        | X   |           |     |             |             |        |     |       |
| (16) | 901 361 411 00 | balance stick-on weight<br>20 GR.   |        | X   |           |     |             |             |        |     |       |
| (16) | 901 361 412 00 | balance stick-on weight<br>30 GR.   |        | X   |           |     |             |             |        |     |       |
| (16) | 901 361 413 00 | balance stick-on weight<br>40 GR.   |        | X   |           |     |             |             |        |     |       |
| (16) | 901 361 414 00 | balance stick-on weight<br>50 GR.   |        | X   |           |     |             |             |        |     |       |
| (16) | 901 361 415 00 | balance stick-on weight<br>60 GR.   |        | X   |           |     |             |             |        |     |       |
| (16) | 901 361 417 00 | balance stick-on weight<br>80 GR.   |        | X   |           |     |             |             |        |     |       |

|       |      |    |    |              |              |     |              |            |         |     |         |
|-------|------|----|----|--------------|--------------|-----|--------------|------------|---------|-----|---------|
| Model | Year | MG | SG | Illustration | Restrictions | UPD | 18:20        | 30.01.2010 | PORSCHE | PET | PORSCHE |
| 914   | 1976 | 6  | 02 | 602-00       |              | 248 | USA / CANADA |            |         |     |         |



| Pos  | Part Number    | Description                                      | Remark | Qty | Model                                |
|------|----------------|--|--------|-----|--------------------------------------|
|      |                | disc brake front                                 |        |     |                                      |
| 1    | 477 405 083 A  | brake disc                                       |        | 2   | 914-6                                |
| 2    | 900 075 079 02 | hexagon-head bolt<br>M 8 X 22                    |        | 10  | 914-6                                |
| 3    | N 012 241 1    | spring washer<br>B 8 X 15                        |        | 10  | 914-6                                |
| 4    | 900 076 025 02 | hexagon nut<br>M 8                               |        | 10  | 914-6                                |
| 5    | 901 351 801 17 | protective plate                                 |        | 2   | 914-6                                |
| 6    | 411 407 075    | brake disc<br>F >>47229 19032                    |        | 2   | 914-4                                |
| 6    | 411 407 075 B  | brake disc<br>F 47229 19033>>                    |        | 2   | 914-4/1,7<br>914-1,8/2,0             |
| (7)  | 411 407 163 B  | cover plate                                      | -70    | 2   | 914-4                                |
| 7    | 411 407 165 C  | cover plate<br>F >>47229 19032                   |        | 2   | 914-4                                |
| 7    | 914 351 801 02 | cover plate<br>F 47229 19033>>                   |        | 2   | 914-4/1,7<br>914-1,8/1,8V<br>914-2,0 |
| 8    | N 010 237 6    | hexagon-head bolt<br>M 8 X 12<br>F >>47229 19032 |        | 6   | 914-6/4                              |
| 8    | N 010 235 3    | hexagon-head bolt<br>M 8 X 10<br>F 47229 19033>> |        | 6   | 914-4/1,7<br>914-1,8/1,8V<br>914-2,0 |
| 9    | N 012 241 1    | spring washer<br>B 8 X 15                        |        | 6   | 914-6                                |
| (9)  | 900 027 015 02 | lock ring<br>B 8                                 |        | 6   |                                      |
| 10   | 911 351 907 00 | fixed calliper<br>without pad                    | /L     | 1   | 914-6                                |
| (10) | 911 351 908 00 | fixed calliper<br>without pad                    | /R     | 1   | 914-6                                |
| 10   | 311 615 107 B  | fixed calliper<br>without pad<br>F >>47229 19032 | /L     | 1   | 914-4                                |

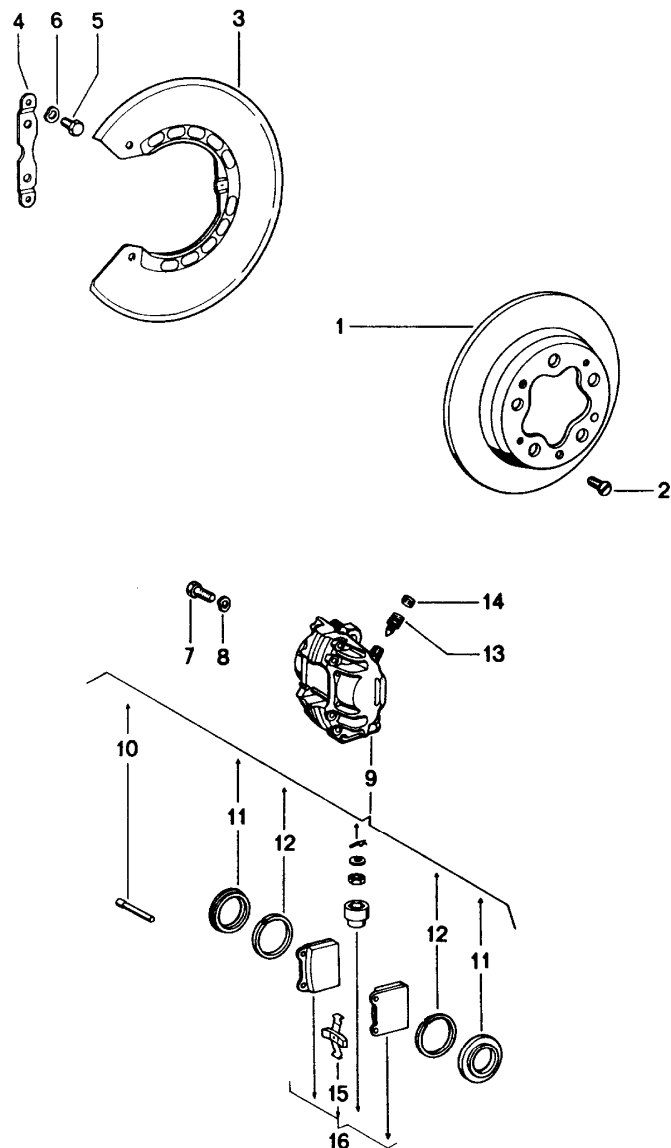
|       |      |    |    |              |              |     |              |            |         |     |         |
|-------|------|----|----|--------------|--------------|-----|--------------|------------|---------|-----|---------|
| Model | Year | MG | SG | Illustration | Restrictions | UPD | 18:20        | 30.01.2010 | PORSCHE | PET | PORSCHE |
| 914   | 1976 | 6  | 02 | 602-00       |              | 248 | USA / CANADA |            |         |     |         |

| Pos  | Part Number    | Description                                      | Remark | Qty | Model                                | Pos | Part Number      | Description   | Remark | Qty | Model                                |
|------|----------------|--|--------|-----|--------------------------------------|-----|------------------|---|--------|-----|--------------------------------------|
| (10) | 311 615 108 B  | fixed calliper<br>without pad<br>F >>47229 19032 | /R     | 1   | 914-4                                | 15  | * 411 615 261 A  | retaining pin   |        | 4   | 914-4/1,7<br>914-1,8/1,8V<br>914-2,0 |
| 10   | 914 351 425 00 | fixed calliper<br>without pad<br>F 47229 19033>> | /L     | 1   | 914-4/1,7<br>914-1,8/1,8V<br>914-2,0 | 16  | 901 352 977 10   | ventilation valve   |        | 2   | 914-6                                |
| (10) | 914 351 426 00 | fixed calliper<br>without pad<br>F 47229 19033>> | /R     | 1   | 914-4/1,7<br>914-1,8/1,8V<br>914-2,0 | 16  | 311 615 273      | ventilation valve   |        | 2   | 914-4                                |
| 11   | 901 351 945 10 | pan-head screw                                   |        | 4   | 914-6                                | 16  | 311 615 273      | ventilation valve   |        | 4   | 914-1,7/1,8<br>914-1,8V/2,0          |
| 11   | 411 615 141    | pan-head screw<br>M 7 X 50<br>F >>47229 19032    |        | 4   | 914-4                                | 17  | 211 611 483      | dust boot   |        | 2   | 914-6/4                              |
| (11) | 411 615 141 A  | hexagon-head bolt<br>F 47229 19033>>             |        | 4   | 914-4/1,7<br>914-1,8/1,8V<br>914-2,0 | 17  | 211 611 483      | dust boot   |        | 4   | 914-1,7/1,8<br>914-1,8V/2,0          |
| 12   | 901 351 946 10 | pan-head screw                                   |        | 4   | 914-6                                | 18  | 901 351 928 10   | sealing ring  |        | 8   | 914-6                                |
| 12   | 411 615 143    | pan-head screw<br>M 7 X 55<br>F >>47229 19032    |        | 4   | 914-4                                | 18  | 311 615 277      | sealing ring  |        | 4   |                                      |
| (12) | 411 615 143 A  | hexagon-head bolt<br>F 47229 19033>>             |        | 4   | 914-4/1,7<br>914-1,8/1,8V<br>914-2,0 | 19  | 914 355 531 00   | ring fitting  |        | 2   | 914-6                                |
| 13   | N 011 008 8    | hexagon nut<br>M 8                               |        | 8   | 914-6                                | 20  | 901 355 531 00   | banjo bolt  |        | 2   | 914-6                                |
| 13   | 311 615 147    | hexagon nut<br>F >>47229 19032                   |        | 8   | 914-4                                | 21  | 904 355 902 00   | gasket<br>outer   |        | 2   | 914-6                                |
| 14   | 901 351 097 10 | piston   |        | 4   | 914-6                                | 22  | 904 355 904 00   | gasket<br>inner   |        | 2   | 914-6                                |
| 14   | 311 615 151    | piston<br>F >>47229 19032                        |        | 4   | 914-4                                | 23  | * 901 351 916 14 | expanding spring  |        | 2   | 914-6                                |
| 14   | 914 351 918 00 | piston<br>F 47229 19033>>                        |        | 4   | 914-4/1,7<br>914-1,8/1,8V<br>914-2,0 | 23  | * 901 351 916 16 | expanding spring<br>F >>47229 19032                                       |        | 2   | 914-4                                |
| 15   | 901 351 913 16 | retaining pin                                    |        | 4   | 914-6                                | 23  | 411 615 269 A    | expanding spring  |        | 2   | 914-4/1,7<br>914-1,8/1,8V<br>914-2,0 |
| 15   | 411 615 261    | retaining pin<br>F >>47229 19032                 |        | 4   | 914-4                                | 24  | * 900 028 014 01 | spring washer   |        | 4   | 914-6                                |
|      |                |  |        |     |                                      | 25  | 411 615 291      | tab washer  |        | 2   | 914-4/1,7<br>914-1,8/1,8V<br>914-2,0 |
|      |                |  |        |     |                                      | 26  | * N 010 127 4    | hexagon-head bolt<br>M 12 X 1,5 X 30                                      |        | 4   |                                      |
|      |                |  |        |     |                                      | 27  | 911 352 950 04   | brake pad repair set<br>without asbestos<br>without<br>installation parts |        | 1   | 914-6                                |

|       |      |    |    |              |              |     |              |            |         |     |         |
|-------|------|----|----|--------------|--------------|-----|--------------|------------|---------|-----|---------|
| Model | Year | MG | SG | Illustration | Restrictions | UPD | 18:20        | 30.01.2010 | PORSCHE | PET | PORSCHE |
| 914   | 1976 | 6  | 02 | 602-00       |              | 248 | USA / CANADA |            |         |     |         |

| Pos    | Part Number    | Description  | Remark | Qty | Model | Pos | Part Number | Description | Remark | Qty | Model |
|--------|----------------|--|--------|-----|-------|-----|-------------|-------------|--------|-----|-------|
| (27)   | 911 352 950 04 | brake pad repair set<br>without asbestos<br>without<br>installation parts<br>F >>47229 19032 | -72    | 1   | 914-4 |     |             |             |        |     |       |
| (27)   | 914 351 905 01 | brake pad repair set<br>without asbestos<br>without<br>installation parts<br>F 47229 19033>> | 73-    | 1   | 914-4 |     |             |             |        |     |       |
| (28) * | 901 351 964 11 | gasket set   |        | 2   | 914-6 |     |             |             |        |     |       |
| 28 *   | 411 698 471    | gasket set<br>F >>47229 19032  | -72    | 2   | 914-4 |     |             |             |        |     |       |
| (28) * | 411 698 471 A  | gasket set<br>F 47229 19033>>  | 73-    | 2   | 914-4 |     |             |             |        |     |       |

|       |      |    |    |              |              |     |              |            |         |     |         |
|-------|------|----|----|--------------|--------------|-----|--------------|------------|---------|-----|---------|
| Model | Year | MG | SG | Illustration | Restrictions | UPD | 18:20        | 30.01.2010 | PORSCHE | PET | PORSCHE |
| 914   | 1976 | 6  | 03 | 603-00       |              | 248 | USA / CANADA |            |         |     |         |



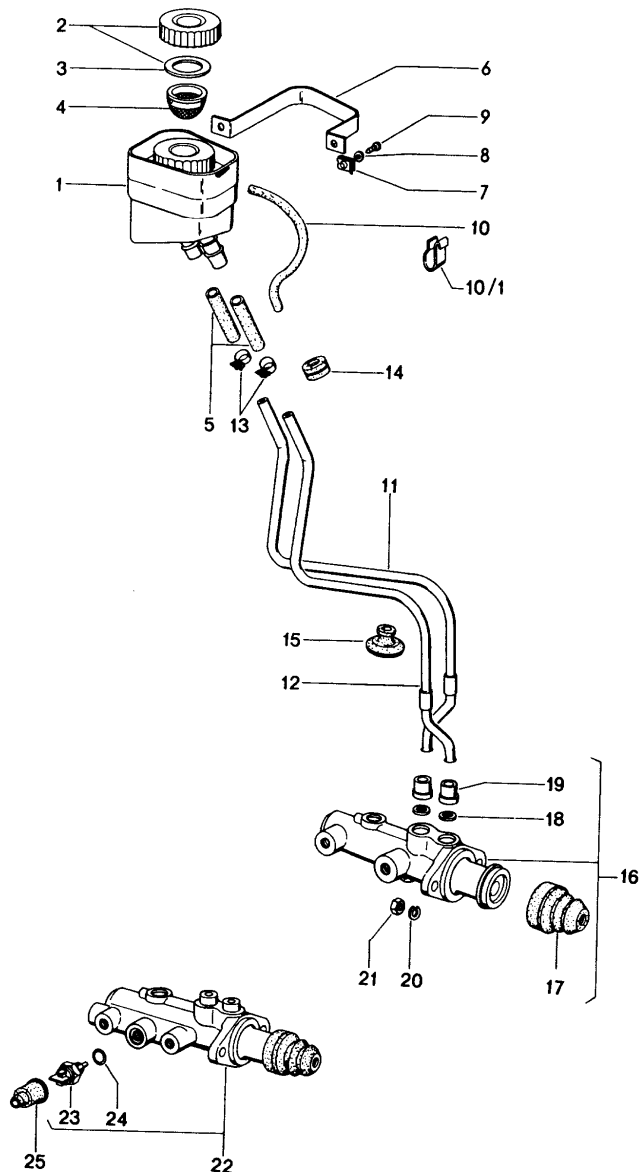
| Pos  | Part Number    | Description                            | Remark | Qty | Model |
|------|----------------|--|--------|-----|-------|
|      |                | disc brake rear                        |        |     | SB    |
| 1    | 901 352 401 18 | brake disc                             |        | 2   | 914-6 |
| (1)  | 914 352 401 10 | brake disc                             |        | 2   |       |
| 2    | 900 013 037 02 | countersunk-head screw<br>6 X 12       |        | 4   |       |
| 3    | 901 352 801 21 | protective plate                       |        | 2   | 914-6 |
| (3)  | 914 352 801 00 | protective plate                       |        | 2   |       |
| 4    | 914 352 085 00 | retaining bar                          |        | 2   | 914-6 |
| (4)  | 914 352 085 00 | retaining bar                          |        | 2   |       |
| 5    | N 010 235 3    | hexagon-head bolt<br>M 8 X 10          |        | 6   |       |
| 6    | N 012 241 11   | spring washer<br>B 8 X 15              |        | 6   |       |
| 7    | N 010 127 4    | hexagon-head bolt<br>M 12 X 1,5 X 30   |        | 4   |       |
| 8    | 900 028 014 01 | spring washer<br>B 12                  |        | 4   |       |
| 9    | 914 352 901 00 | fixed calliper<br>without<br>brake pad | /L     | 1   | 914-6 |
| (9)  | 914 352 902 00 | fixed calliper<br>without<br>brake pad | /R     | 1   | 914-6 |
| 9    | 914 352 423 00 | fixed calliper<br>without<br>brake pad | /L     | 1   |       |
| (9)  | 914 352 424 00 | fixed calliper<br>without<br>brake pad | /R     | 1   |       |
| 10   | 914 352 922 00 | retaining pin                          |        | 2   | 914-6 |
| (10) | 914 352 921 00 | retaining pin                          |        | 2   | 914-6 |
| 10   | 901 351 913 14 | retaining pin                          |        | 2   |       |
| (10) | 914 352 925 00 | retaining pin                          |        | 2   |       |
| 11   | 914 352 906 00 | protection cap                         |        | 4   | 914-6 |
| 11   | 901 352 937 10 | protection cap                         |        | 4   |       |

|       |      |    |    |              |              |     |              |            |         |     |         |
|-------|------|----|----|--------------|--------------|-----|--------------|------------|---------|-----|---------|
| Model | Year | MG | SG | Illustration | Restrictions | UPD | 18:20        | 30.01.2010 | PORSCHE | PET | PORSCHE |
| 914   | 1976 | 6  | 03 | 603-00       |              | 248 | USA / CANADA |            |         |     |         |

| Pos | Part Number    | Description   | Remark | Qty | Model                       | Pos | Part Number | Description | Remark | Qty | Model |
|-----|----------------|---|--------|-----|-----------------------------|-----|-------------|-------------|--------|-----|-------|
| 12  | 901 352 988 00 | retaining ring  |        | 4   | 914-6                       |     |             |             |        |     |       |
| 12  | 914 352 926 00 | retaining ring  |        | 4   |                             |     |             |             |        |     |       |
| 13  | 901 352 977 10 | ventilation valve   |        | 2   | 914-6/4                     |     |             |             |        |     |       |
| 13  | 901 352 977 10 | ventilation valve   |        | 4   | 914-1,7/1,8V<br>914-1,8/2,0 |     |             |             |        |     |       |
| 14  | 211 611 483    | dust boot   |        | 2   | 914-6/4                     |     |             |             |        |     |       |
| 14  | 211 611 483    | dust boot   |        | 4   | 914-1,7/1,8V<br>914-1,8/2,0 |     |             |             |        |     |       |
| 15  | 901 351 916 16 | expanding spring  |        | 2   | 914-6                       |     |             |             |        |     |       |
| 15  | 311 615 269    | expanding spring  |        | 2   |                             |     |             |             |        |     |       |
| 16  | 914 352 903 01 | brake pad repair set<br>without asbestos<br>without<br>installation parts |        | 1   | 914-6                       |     |             |             |        |     |       |
| -   | 901 351 916 16 | expanding spring  |        | 2   |                             |     |             |             |        |     |       |
| -   | 914 352 921 00 | retaining pin   |        | 2   |                             |     |             |             |        |     |       |
| -   | 914 352 922 00 | retaining pin   |        | 2   |                             |     |             |             |        |     |       |
| -   | 901 351 955 10 | lock  |        | 4   |                             |     |             |             |        |     |       |
| 16  | 914 352 923 01 | brake pad repair set<br>without asbestos<br>without<br>installation parts |        | 1   |                             |     |             |             |        |     |       |
| -   | 311 615 269    | expanding spring  |        | 2   |                             |     |             |             |        |     |       |
| -   | 901 351 913 14 | retaining pin   |        | 2   |                             |     |             |             |        |     |       |
| -   | 914 352 925 00 | retaining pin   |        | 2   |                             |     |             |             |        |     |       |
| -   | 901 351 955 10 | lock  |        | 4   |                             |     |             |             |        |     |       |
| 17  | 914 352 900 00 | repair kit<br>stopper<br>comprising:                                      |        | 1   |                             |     |             |             |        |     |       |
| -   | 914 352 918 00 | screw plug  |        | 2   |                             |     |             |             |        |     |       |
| -   | 901 351 955 10 | lock  |        | 4   |                             |     |             |             |        |     |       |
| -   | 914 352 919 00 | screw-on cap  |        | 2   |                             |     |             |             |        |     |       |
| -   | 900 123 003 20 | sealing ring  |        | 2   |                             |     |             |             |        |     |       |



|       |      |    |    |              |              |     |              |            |         |     |         |
|-------|------|----|----|--------------|--------------|-----|--------------|------------|---------|-----|---------|
| Model | Year | MG | SG | Illustration | Restrictions | UPD | 18:21        | 30.01.2010 | PORSCHE | PET | PORSCHE |
| 914   | 1976 | 6  | 04 | 604-00       |              | 248 | USA / CANADA |            |         |     |         |

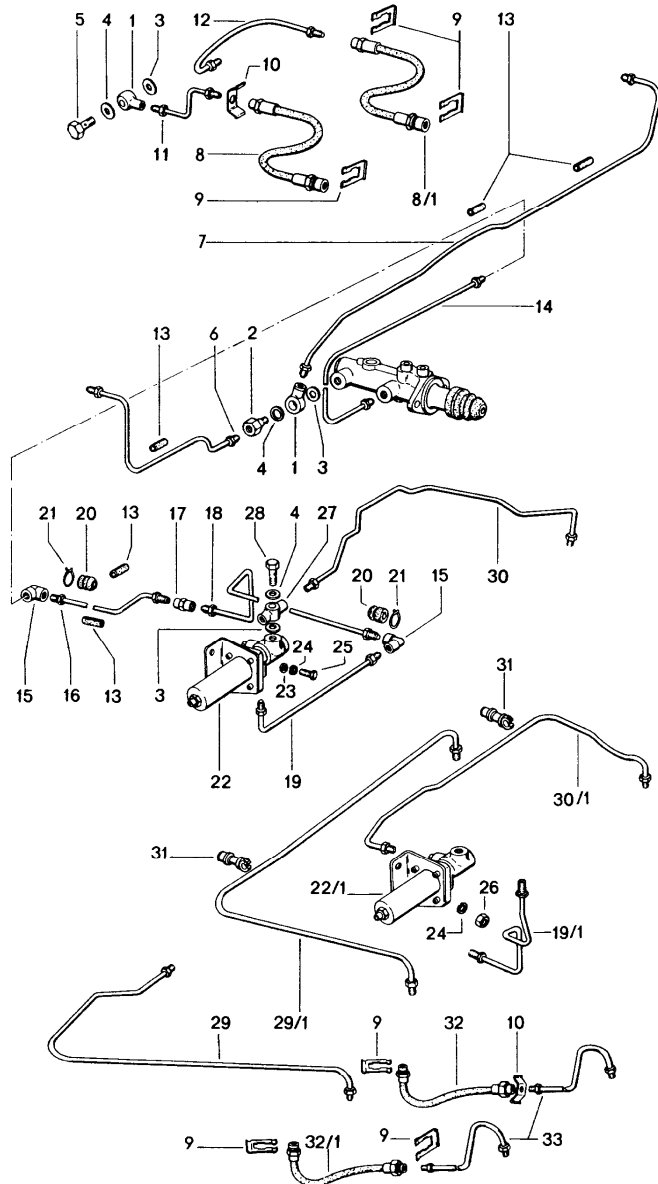


| Pos  | Part Number    | Description                                    | Remark | Qty | Model                                |
|------|----------------|--|--------|-----|--------------------------------------|
| 1    | 911 355 013 13 | brake fluid reservoir<br>brake master cylinder |        | 1   | < 914-1,8/1,8V<br>914-2,0            |
| 2    | 477 611 361    | lid  |        | 1   |                                      |
| 3    | 901 355 908 00 | gasket   |        | 1   |                                      |
| 4    | 211 611 381 B  | strainer                                       |        | 1   |                                      |
| 5    | 901 355 927 02 | hose piece<br>50 MM                            |        | 2   |                                      |
| 6    | 914 355 907 00 | retaining strap                                |        | 1   |                                      |
| 7    | N 015 429 2    | speed nut<br>B 4,2                             |        | 2   |                                      |
| 8    | 900 151 028 02 | washer<br>A 4,3                                |        | 2   |                                      |
| 9    | 900 143 007 02 | tapping screw<br>B 4,2 X 13                    |        | 2   |                                      |
| 10   | 914 355 653 00 | overflow hose<br>6 X 4 X 1000 MM               |        | X   | 914-6/4                              |
| 10/1 | 999 651 152 02 | cable clamp                                    |        | X   | 914-6/4                              |
| 11   | PCG 355 061 10 | connecting line                                |        | 1   |                                      |
| 12   | PCG 355 063 10 | connecting line                                |        | 1   |                                      |
| 13   | 999 512 055 02 | hose clamp                                     |        | 2   |                                      |
| 14   | 311 971 911    | rubber sleeve                                  |        | X   | 914-6/4                              |
| 15   | 111 957 861    | rubber sleeve                                  |        | 2   |                                      |
| 16   | 901 355 012 00 | brake master cylinder<br>\$ 19,05              |        | 1   | 914-6                                |
| (16) | 914 355 011 00 | brake master cylinder<br>\$ 17,46              |        | 1   | 914-4/1,7<br>914-1,8/1,8V<br>914-2,0 |
| 17   | 901 355 924 00 | protection cap                                 |        | 1   |                                      |
| 18   | 901 355 936 00 | washer   |        | 2   |                                      |
| 19   | 901 355 929 00 | stopper  |        | 2   |                                      |
| 20   | 900 027 015 02 | lock ring<br>B 8                               |        | 2   |                                      |

|       |      |    |    |              |              |     |              |            |         |     |         |
|-------|------|----|----|--------------|--------------|-----|--------------|------------|---------|-----|---------|
| Model | Year | MG | SG | Illustration | Restrictions | UPD | 18:21        | 30.01.2010 | PORSCHE | PET | PORSCHE |
| 914   | 1976 | 6  | 04 | 604-00       |              | 248 | USA / CANADA |            |         |     |         |

| Pos  | Part Number    | Description  | Remark | Qty | Model                                | Pos | Part Number | Description | Remark | Qty | Model |
|------|----------------|--|--------|-----|--------------------------------------|-----|-------------|-------------|--------|-----|-------|
| 21   | 900 076 025 02 | hexagon nut<br>M 8   |        | 2   |                                      |     |             |             |        |     |       |
| 22   | 911 355 012 02 | brake master cylinder<br>\$ 19,05<br>with<br>warning contact |        | 1   | 914-6                                |     |             |             |        |     |       |
| (22) | 914 355 012 00 | brake master cylinder<br>\$ 17,46<br>with<br>warning contact |        | 1   | 914-4/1,7<br>914-1,8/1,8V<br>914-2,0 |     |             |             |        |     |       |
| 23   | 901 613 115 00 | warning contact<br>2-pole                                    | -73    | 1   | 914-6/4/1,7<br>914-2,0               |     |             |             |        |     |       |
| (23) | 914 613 116 00 | warning contact<br>single pole                               | 74-    | 1   | 914-1,8V/1,8<br>914-2,0              |     |             |             |        |     |       |
| 24   | 999 701 343 40 | o-ring<br>12,42 - 1,78                                       |        | 1   |                                      |     |             |             |        |     |       |
| 25   | 914 613 491 00 | rubber cap   |        | 1   |                                      |     |             |             |        |     |       |

|       |      |    |    |              |              |     |              |            |         |     |         |
|-------|------|----|----|--------------|--------------|-----|--------------|------------|---------|-----|---------|
| Model | Year | MG | SG | Illustration | Restrictions | UPD | 18:21        | 30.01.2010 | PORSCHE | PET | PORSCHE |
| 914   | 1976 | 6  | 04 | 604-05       |              | 248 | USA / CANADA |            |         |     |         |



| Pos | Part Number    | Description           | Remark | Qty | Model   |                            |
|-----|----------------|-----------------------|--------|-----|---------|----------------------------|
|     |                | brake lines           |        |     |         |                            |
| 1   | 914 355 531 00 | ring fitting          | -71    | 3   | 914-6/4 |                            |
| 1   | 914 355 531 00 | ring fitting          | -72    | 3   | 914-6   |                            |
| 1   | 914 355 531 00 | ring fitting          | 72-    | 1   |         |                            |
| 2   | 695 351 534 00 | banjo bolt            |        | 1   |         |                            |
| 3   | 904 355 904 00 | gasket metal \$ 10 MM | -71    | 4   | 914-6/4 |                            |
| 3   | 904 355 904 00 | gasket metal \$ 10 MM | 72-    | 4   | 914-6   |                            |
| 3   | 904 355 904 00 | gasket metal \$ 10 MM | 72-    | 2   |         |                            |
| 4   | 904 355 902 00 | gasket metal \$ 12 MM | -71    | 4   | 914-6/4 |                            |
| 4   | 904 355 902 00 | gasket metal \$ 12 MM | 72-    | 4   | 914-6   |                            |
| 4   | 904 355 902 00 | gasket metal \$ 12 MM | 72-    | 2   |         |                            |
| 5   | 901 355 531 00 | banjo bolt            |        | 2   | 914-6   |                            |
| 5   | 901 355 531 00 | banjo bolt            | -71    | 2   | 914-4   |                            |
| 6   | 914 355 617 00 | brake line            | /V/L   | 1   |         |                            |
| 7   | 914 355 618 00 | brake line            | /V/R   | 1   |         |                            |
| 8   | 901 355 632 01 | brake hose            | /V     | 2   | 914-6   |                            |
| 8   | 901 355 632 01 | brake hose            | /V     | -71 | 2       | 914-4                      |
| 8/1 | 211 611 775 A  | brake hose            | /V     | 72- | 2       | 914-4/1,7/1<br>914-1,8/2,0 |
| 9   | 914 355 665 00 | brake hose bracket    |        | 4   | 914-6   |                            |
| 9   | 113 611 715 A  | brake hose bracket    |        | 4   | 914-6   |                            |
| 9   | 914 355 665 00 | brake hose bracket    |        | 8   |         |                            |
| 9   | 113 611 715 A  | brake hose bracket    |        | 8   |         |                            |

|       |      |    |    |              |              |     |              |            |         |     |         |
|-------|------|----|----|--------------|--------------|-----|--------------|------------|---------|-----|---------|
| Model | Year | MG | SG | Illustration | Restrictions | UPD | 18:21        | 30.01.2010 | PORSCHE | PET | PORSCHE |
| 914   | 1976 | 6  | 04 | 604-05       |              | 248 | USA / CANADA |            |         |     |         |

| Pos  | Part Number    | Description                             | Remark   | Qty | Model                                | Pos  | Part Number    | Description                                      | Remark | Qty | Model                   |
|------|----------------|---|----------|-----|--------------------------------------|------|----------------|--|--------|-----|-------------------------|
| 10   | 803 611 715    | retainer spring                         | -71      | 4   | 914-6/4                              | 22   | 914 355 065 00 | brake pressure regulator                         |        | 1   | 914-4/1,7<br>914-2,0    |
| 11   | 914 355 603 00 | brake line                              | /V/L/V/R | 2   | 914-6                                |      |                | F >>47429 15751                                  |        |     |                         |
| 11   | 914 355 603 00 | brake line                              | -71      | 2   | 914-4                                | 22/1 | 914 355 065 01 | brake pressure regulator                         |        | 1   | 914-1,8V/1,8<br>914-2,0 |
| (12) | 914 355 603 02 | brake line<br>F >>47229 19032           | /V/L     | 1   | 914-4                                |      |                | F 47429 15752>>                                  |        |     |                         |
| (12) | 914 355 603 02 | brake line<br>F 47229 19033>>           | /V/L     | 1   | 914-4/1,7<br>914-1,8/1,8V<br>914-2,0 | 23   | 900 025 007 02 | washer<br>8,4<br>F >>47429 15751                 |        | 2   | 914-6/4/1,7<br>914-2,0  |
| 12   | 914 355 604 02 | brake line<br>F >>47229 19032           | /V/R     | 1   | 914-4                                | 24   | 900 027 015 02 | lock ring<br>A 8                                 |        | 2   |                         |
| 12   | 914 355 604 02 | brake line<br>F 47229 19033>>           | /V/R     | 1   | 914-4/1,7<br>914-1,8/1,8V<br>914-2,0 | 25   | 900 075 078 02 | hexagon-head bolt<br>M 8 X 15<br>F >>47429 15751 |        | 2   | 914-6/4/1,7<br>914-2,0  |
| 13   | 914 355 691 00 | hose piece                              |          | 10  |                                      | 26   | 900 076 025 02 | hexagon nut<br>M 8<br>F 47429 15752>>            | /2,0   | 2   | 914-1,8V/1,8            |
| 14   | 914 355 611 00 | brake line<br>centre                    |          | 1   |                                      | 27   | 914 355 669 00 | ring piece                                       |        | 1   | 914-6/4/1,7<br>914-2,0  |
| 15   | 901 355 615 00 | angled pipe                             |          | 2   | 914-6/4/1,7                          | 28   | 914 355 668 00 | banjo bolt                                       |        | 1   | 914-6/4/1,7<br>914-2,0  |
| 15   | 901 355 615 00 | angled pipe                             |          | 1   | 914-1,8V/1,8<br>914-2,0              | 29   | 914 355 635 01 | connecting line<br>F >>47429 15751               | /H/L   | 1   | 914-6/4/1,7<br>914-2,0  |
| 16   | 914 355 613 00 | brake line<br>centre<br>tunnel          |          | 1   |                                      | 29/1 | 914 355 635 02 | connecting line<br>F 47429 15752>>               | /H/L   | 1   | 914-1,8V/1,8<br>914-2,0 |
| 17   | 914 355 661 00 | intermediate piece                      |          | 1   |                                      | 30   | 914 355 636 01 | connecting line<br>F >>47429 15751               | /H/R   | 1   | 914-6/4/1,7<br>914-2,0  |
| 18   | 914 355 614 01 | brake line<br>tunnel<br>F >>47429 15751 |          | 1   | 914-6/4/1,7<br>914-2,0               | 30/1 | 914 355 636 03 | connecting line<br>F 47429 15752>>               | /H/R   | 1   | 914-1,8V/1,8<br>914-2,0 |
| 19   | 914 355 612 00 | brake line<br>centre<br>F >>47429 15751 | /H       | 1   | 914-6/4/1,7<br>914-2,0               | 31   | 999 507 235 40 | pipe clip<br>F 47429 15752>>                     |        | 2   | 914-1,8V/1,8<br>914-2,0 |
| 19/1 | 914 355 614 01 | brake line<br>centre<br>F 47429 15752>> | /H       | 1   | 914-1,8V/1,8<br>914-2,0              | 32   | 901 355 631 01 | brake hose                                       | -71    | 2   | 914-6/4                 |
| 20   | 914 355 651 00 | rubber sleeve                           |          | 2   |                                      | 32/1 | 211 611 775 B  | brake hose                                       | 72-    | 2   |                         |
| 21   | 914 355 652 00 | clamp                                   |          | 2   |                                      | 33   | 914 355 621 01 | brake line                                       | /H/L   | 1   |                         |
| 22   | 914 355 067 00 | brake pressure regulator                |          | 1   | 914-6                                |      |                |  |        |     |                         |

|       |      |    |    |              |              |     |              |            |         |     |         |
|-------|------|----|----|--------------|--------------|-----|--------------|------------|---------|-----|---------|
| Model | Year | MG | SG | Illustration | Restrictions | UPD | 18:21        | 30.01.2010 | PORSCHE | PET | PORSCHE |
| 914   | 1976 | 6  | 04 | 604-05       |              | 248 | USA / CANADA |            |         |     |         |

| Pos  | Part Number    | Description | Remark | Qty | Model | Pos | Part Number | Description | Remark | Qty | Model |
|------|----------------|-------------|--------|-----|-------|-----|-------------|-------------|--------|-----|-------|
| (33) | 914 355 622 01 | brake line  | /H/R   | 1   |       |     |             |             |        |     |       |

|       |      |    |    |              |              |     |              |            |
|-------|------|----|----|--------------|--------------|-----|--------------|------------|
| Model | Year | MG | SG | Illustration | Restrictions | UPD | 18:21        | 30.01.2010 |
| 914   | 1976 | 6  | 98 | 698-00R      |              | 248 | USA / CANADA |            |

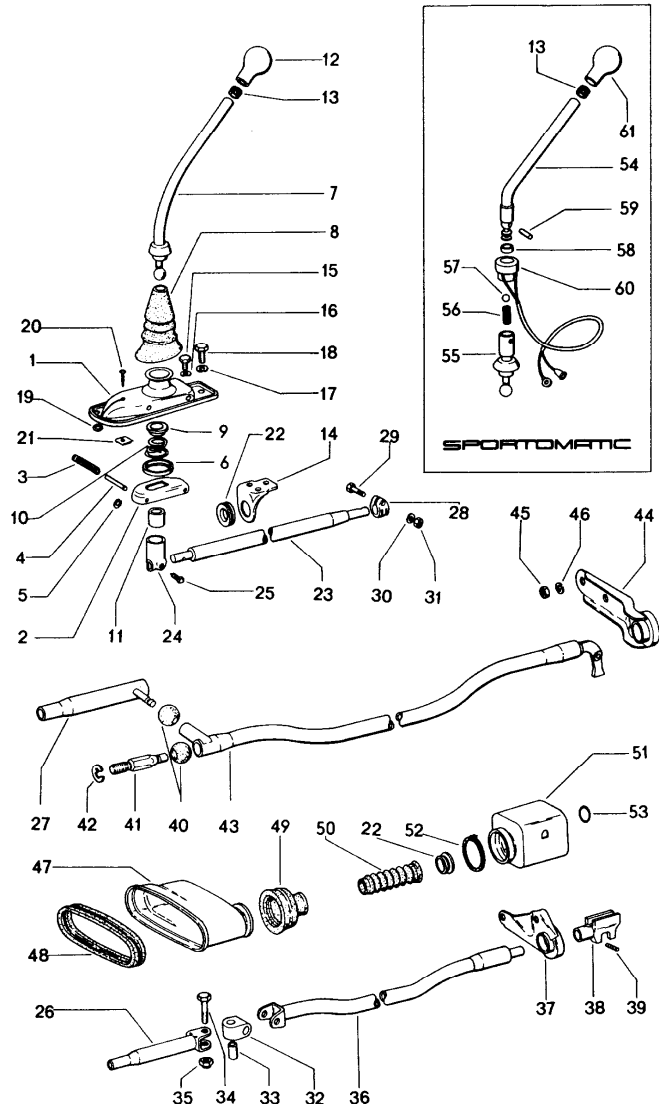
| Pos | Part Number      | Description  | Remark | Qty                       | Model                                |
|-----|------------------|--|--------|---------------------------|--------------------------------------|
| >>  | >>901 351 963 25 | repair kits<br>brake pad repair set<br>without<br>mounting parts   | /V     | 1                         | 914-6                                |
| >>  | >>901 351 964 11 | gasket set<br>1 set<br>comprising:<br>gasket<br>protection caps<br>ring  | /V     | 2<br>2<br>2               | 914-6                                |
| -   | 901 351 955 10   | safety seal  |        | 1                         |                                      |
| -   | 901 351 955 10   | safety seal  |        | 1                         |                                      |
| >>  | >>914 351 903 00 | brake pad repair set<br>F >>47229 19032<br>without<br>mounting parts   | /V -72 | 1                         | 914-4                                |
| >>  | >>411 698 471    | gasket set<br>F >>47229 19032<br>1 set<br>comprising:<br>gasket<br>protection caps<br>ring<br>torsion protection<br>for<br>piston<br>torsion protection<br>for<br>piston | /V -72 | 2<br>2<br>2<br>1<br><br>1 | 914-4                                |
| -   | N 010 127 4      | hexagon-head bolt  |        | 2                         |                                      |
| -   | 411 615 291      | tab washer   |        | 1                         |                                      |
| >>  | >>914 351 905 00 | brake pad repair set<br>F 47229 19033>><br>without<br>mounting parts   | /V 72- | 1                         | 914-4/1,7<br>914-1,8/1,8V<br>914-2,0 |
| >>  | >>411 698 471 A  | gasket set<br>F 47229 19033>><br>1 set<br>comprising:<br>gasket<br>protection caps<br>torsion protection<br>for<br>piston<br>torsion protection<br>for<br>piston         | /V 72- | 2<br>2<br>2<br>1<br><br>1 | 914-4/1,7<br>914-1,8/2,0             |
| -   | N 010 127 4      | hexagon-head bolt  |        | 2                         |                                      |

|       |      |    |    |              |              |     |              |            |
|-------|------|----|----|--------------|--------------|-----|--------------|------------|
| Model | Year | MG | SG | Illustration | Restrictions | UPD | 18:21        | 30.01.2010 |
| 914   | 1976 | 6  | 98 | 698-00R      |              | 248 | USA / CANADA |            |

| Pos | Part Number      | Description   | Remark | Qty    | Model                                |
|-----|------------------|---|--------|--------|--------------------------------------|
| -   | 411 615 291      | tab washer<br>without<br>mounting parts   |        | 1<br>2 |                                      |
| >>  | >>914 352 923 00 | brake pad repair set<br>without<br>mounting parts   | /H     | 1      | 914-4/1,7<br>914-1,8/1,8V<br>914-2,0 |
| >>  | >>901 355 930 00 | repair kit<br>for<br>brake master cylinder<br>with<br>and<br>without<br>warning contact<br>\$ 19,05 |        | 1      | 914-6                                |
| >>  | >>914 355 908 00 | repair kit<br>for<br>brake master cylinder<br>\$ 17,46  |        | 1      | 914-4/1,7<br>914-1,8/1,8V<br>914-2,0 |
| -   | 901 355 924 00   | protection cap  |        | 1      |                                      |

|       |      |    |    |              |              |     |              |            |         |     |         |
|-------|------|----|----|--------------|--------------|-----|--------------|------------|---------|-----|---------|
| Model | Year | MG | SG | Illustration | Restrictions | UPD | 18:22        | 30.01.2010 | PORSCHE | PET | PORSCHE |
| 914   | 1976 | 7  | 01 | 701-00       |              | 248 | USA / CANADA |            |         |     |         |

bis Mod.72



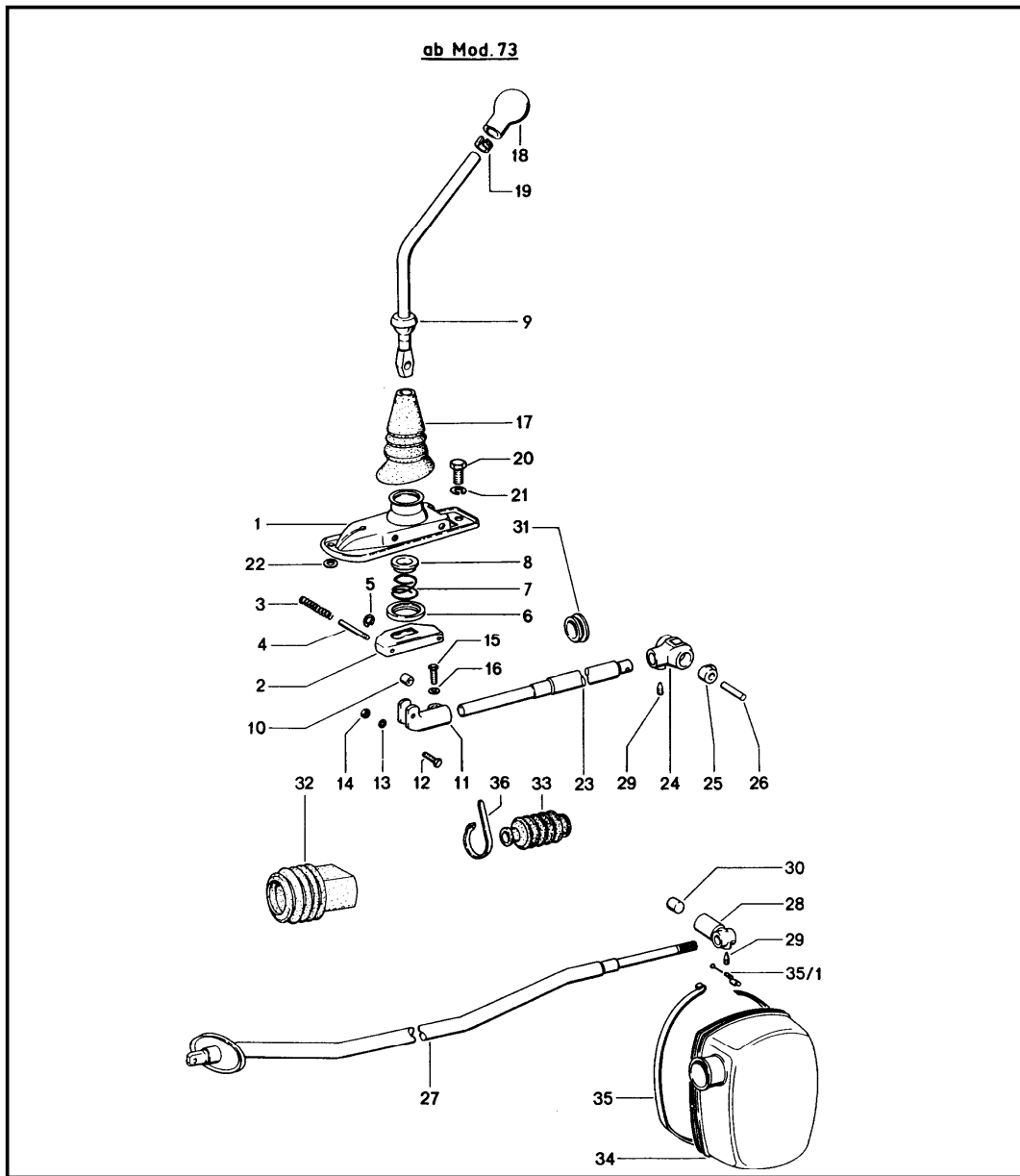
| Pos | Part Number      | Description                   | Remark | Qty | Model     |
|-----|------------------|-------------------------------|--------|-----|-----------|
|     |                  | transmission control          | -72    |     |           |
| 1   | 901 424 015 02   | gearshift bracket             |        | 1   | 914-6/4   |
| 2   | 901 424 017 00   | stop plate                    |        | 1   | 914-6/4   |
| 3   | 901 424 133 00   | compression spring            |        | 2   | 914-6/4   |
| 4   | 901 424 115 00   | guiding rod                   |        | 2   | 914-6/4   |
| 5   | N 012 435 1      | washer                        |        | 4   | 914-6/4   |
| 6   | 901 424 135 00   | guide ring                    |        | 1   | 914-6/4   |
| 7   | 914 424 016 00   | gearshift lever               |        | 1   | 914-6/4   |
| 8   | 914 424 901 00   | sealing sleeve                |        | 1   | 914-6/4   |
| 9   | 901 424 132 00   | guide                         |        | 1   | 914-6/4   |
| 10  | 914 424 131 00   | compression spring            |        | 1   | 914-6/4   |
| 11  | 911 424 139 00   | ball socket                   |        | 1   | 914-6/4   |
| 12  | 901 424 014 00   | gearshift knob                |        | 1   | 914-6/4   |
| 13  | 999 532 001 00   | spacer                        |        | 1   | 914-6/4   |
| 14  | A 930 424 031 00 | bearing bracket               |        | 1   | 914-6/4   |
| 14  | 930 424 031 01   | bearing bracket               |        | 1   | 914-6/4   |
| 15  | N 010 210 13     | hexagon-head bolt<br>M 6 X 10 |        | 2   | 914-6/4   |
| 16  | 900 028 008 01   | spring washer<br>B 6          |        | 2   | 914-6/4   |
| 17  | 900 027 015 02   | lock ring<br>B 8              |        | 3   | 914-6/4   |
| 18  | 900 075 078 02   | hexagon-head bolt<br>M 8 X 15 |        | 3   | 914-6/4   |
| 19  | 900 025 007 02   | washer<br>8,4                 |        | 1   | 914-6:SPM |
| 19  | 900 031 001 02   | washer<br>8,4                 |        | 1   | 914-6     |
| 20  | N 013 957 5      | tapping screw<br>B 3,5 X 9,5  |        | 1   | 914-6     |
| 21  | 914 424 235 00   | speed nut<br>B 3,5            |        | 1   | 914-6     |
| 22  | 914 424 224 00   | friction ring                 |        | 3   | 914-6/4   |



|       |      |    |    |              |              |     |              |            |         |     |         |
|-------|------|----|----|--------------|--------------|-----|--------------|------------|---------|-----|---------|
| Model | Year | MG | SG | Illustration | Restrictions | UPD | 18:22        | 30.01.2010 | PORSCHE | PET | PORSCHE |
| 914   | 1976 | 7  | 01 | 701-00       |              | 248 | USA / CANADA |            |         |     |         |

| Pos  | Part Number    | Description                   | Remark | Qty | Model     | Pos  | Part Number    | Description               | Remark | Qty | Model     |
|------|----------------|-------------------------------|--------|-----|-----------|------|----------------|---------------------------|--------|-----|-----------|
| 23   | 914 424 021 00 | gear shift rod                | /V     | 1   | 914-6/4   | 47   | PCG 424 501 00 | cover                     |        | 1   | 914-6/4   |
| 24   | 930 424 241 00 | head shift rod                |        | 1   | 914-6/4   | 48   | 914 424 502 00 | rubber strap              |        | 1   | 914-6/4   |
| 25   | 901 424 229 00 | conical screw                 |        | 1   | 914-6/4   | 49   | 914 424 297 00 | sealing sleeve            |        | 1   | 914-6/4   |
| 26   | 914 424 027 00 | connecting tube               |        | 1   | 914-6     | 50   | 901 741 291 00 | sealing sleeve            |        | 1   | 914-6/4   |
| 27   | 914 424 033 00 | connecting tube               |        | 1   | 914-4     | 51   | 914 424 206 00 | protection cap            |        | 1   | 914-6     |
| 28   | 914 424 214 00 | clamp                         |        | 1   | 914-6/4   | (51) | 914 424 229 00 | protection cap            |        | 1   | 914-4     |
| 29   | N 040 222 2    | hexagon-head bolt<br>M 8 X 32 |        | 1   | 914-6/4   | 52   | 999 512 348 02 | hose clamp<br>44 - 64 X 9 |        | 1   | 914-6/4   |
| 30   | 999 523 102 02 | lock washer<br>M 8            |        | 1   | 914-6/4   | 53   | 914 424 208 00 | rubber ring               |        | 1   | 914-6/4   |
| 31   | 900 076 025 02 | hexagon nut<br>M 8            |        | 1   | 914-6/4   | 54   | 905 424 026 00 | gearshift lever           |        | 1   | 914-6:SPM |
| 32   | 914 424 212 00 | intermediate piece            |        | 1   | 914-6     | 55   | 905 424 024 02 | gearshift lever           |        | 1   | 914-6:SPM |
| 33   | 914 424 223 00 | bush                          |        | 2   | 914-6     | 56   | 905 424 111 02 | compression spring        |        | 1   | 914-6:SPM |
| 34   | 900 074 151 02 | hexagon-head bolt<br>M 6 X 38 |        | 2   | 914-6     | 57   | 900 108 012 00 | ball<br>10 MM             |        | 1   | 914-6:SPM |
| 35   | 999 084 028 02 | hexagon nut<br>M 6 UNI-STOP   |        | 2   | 914-6     | 58   | 905 424 234 02 | stop ring                 |        | 1   | 914-6:SPM |
| 36   | 914 424 022 00 | gear shift rod                | /H     | 1   | 914-6     | 59   | 905 424 107 02 | straight pin              |        | 1   | 914-6:SPM |
| (36) | 914 424 022 10 | gear shift rod                | /H     | 1   | 914-6:SPM | 60   | 905 613 039 00 | contacts                  |        | 1   | 914-6:SPM |
| 37   | 914 424 012 00 | support                       |        | 1   | 914-6     | 61   | 911 424 077 01 | gearshift knob            |        | 1   | 914-6:SPM |
| 38   | 914 424 241 00 | head shift rod                | /H     | 1   | 914-6     |      |                |                           |        |     |           |
| 39   | 999 095 021 00 | clamping pin                  |        | 1   | 914-6     |      |                |                           |        |     |           |
| 40   | 914 424 512 00 | ball                          |        | 2   | 914-4     |      |                |                           |        |     |           |
| 41   | 914 424 511 00 | bolt                          |        | 1   | 914-4     |      |                |                           |        |     |           |
| 42   | 999 523 109 02 | lock washer<br>M 12           |        | 1   | 914-4     |      |                |                           |        |     |           |
| 43   | 914 424 032 03 | gear shift rod                | /H     | 1   | 914-4     |      |                |                           |        |     |           |
| 44   | 914 424 014 00 | support                       |        | 1   | 914-4     |      |                |                           |        |     |           |
| 45   | 900 076 025 02 | hexagon nut<br>M 8            |        | 2   | 914-4     |      |                |                           |        |     |           |
| 46   | 900 027 015 02 | lock ring<br>B 8              |        | 2   | 914-4     |      |                |                           |        |     |           |

|       |      |    |    |              |              |     |              |            |         |     |         |
|-------|------|----|----|--------------|--------------|-----|--------------|------------|---------|-----|---------|
| Model | Year | MG | SG | Illustration | Restrictions | UPD | 18:22        | 30.01.2010 | PORSCHE | PET | PORSCHE |
| 914   | 1976 | 7  | 01 | 701-05       |              | 248 | USA / CANADA |            |         |     |         |

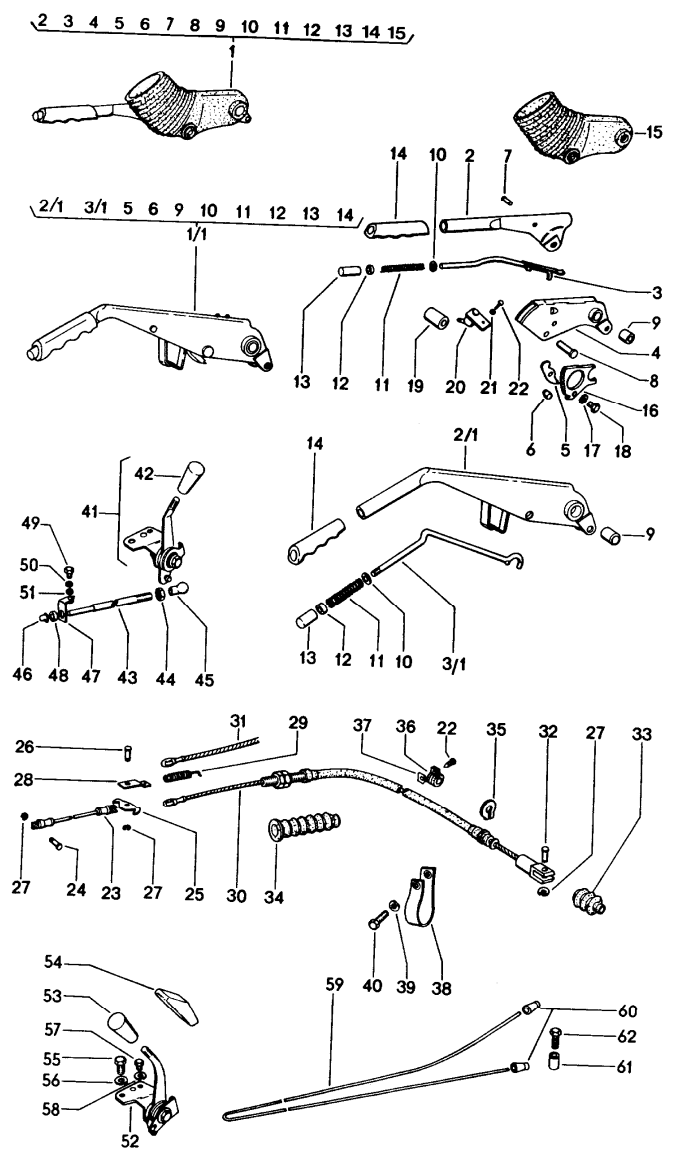


| Pos  | Part Number    | Description                   | Remark | Qty | Model |
|------|----------------|-------------------------------|--------|-----|-------|
|      |                | transmission control          | 73-    |     |       |
| 1    | 914 424 019 02 | gearshift bracket             |        | 1   |       |
| 2    | 901 424 017 00 | stop plate                    |        | 1   |       |
| 3    | 911 424 133 04 | compression spring            |        | 2   |       |
| 4    | 901 424 115 00 | guiding rod                   |        | 2   |       |
| 5    | N 012 435 1    | washer<br>5                   |        | 5   |       |
| 6    | 914 424 343 02 | guide<br>1,2 MM               |        | X   |       |
| 6    | 914 424 343 02 | guide<br>2,3 MM               |        | X   |       |
| 6    | 914 424 343 02 | guide piece<br>3,4 MM         |        | X   |       |
| 7    | 914 424 131 00 | compression spring            |        | 1   |       |
| 8    | 901 424 132 00 | guide                         |        | 1   |       |
| 9    | 914 424 016 02 | gearshift lever               |        | 1   |       |
| 10   | 914 424 169 01 | spacer sleeve                 |        | 1   |       |
| 11   | 914 424 171 01 | lever                         |        | 1   |       |
| 12   | N 010 335 5    | hexagon-head bolt<br>M 8 X 35 |        | 1   |       |
| 13   | 900 027 015 02 | lock ring<br>B 8              |        | 1   |       |
| 14   | 900 076 025 02 | hexagon nut<br>M 8            |        | 1   |       |
| 15   | 900 075 079 02 | hexagon-head bolt<br>M 8 X 22 |        | 1   |       |
| 16   | 999 523 102 02 | lock washer                   |        | 1   |       |
| 17   | 914 424 901 00 | sealing sleeve                |        | 1   |       |
| (17) | 914 559 444 10 | boot<br>leather               |        | 1   |       |
| 18   | 901 424 014 00 | gearshift knob                |        | 1   |       |
| 19   | 999 532 001 00 | spacer                        |        | 1   |       |
| 20   | 900 075 078 02 | hexagon-head bolt<br>M 8 X 15 |        | 3   |       |

|       |      |    |    |              |              |     |              |            |         |     |         |
|-------|------|----|----|--------------|--------------|-----|--------------|------------|---------|-----|---------|
| Model | Year | MG | SG | Illustration | Restrictions | UPD | 18:22        | 30.01.2010 | PORSCHE | PET | PORSCHE |
| 914   | 1976 | 7  | 01 | 701-05       |              | 248 | USA / CANADA |            |         |     |         |

| Pos  | Part Number    | Description          | Remark | Qty | Model | Pos | Part Number | Description | Remark | Qty | Model |
|------|----------------|----------------------|--------|-----|-------|-----|-------------|-------------|--------|-----|-------|
| 21   | 900 027 015 02 | lock ring<br>B 8     |        | 3   |       |     |             |             |        |     |       |
| 22   | 900 025 007 02 | washer<br>8,4        |        | 2   |       |     |             |             |        |     |       |
| 23   | 914 424 065 00 | gear shift rod       | /V     | 1   |       |     |             |             |        |     |       |
| 24   | 911 424 221 00 | shift rod coupling   |        | 1   |       |     |             |             |        |     |       |
| 25   | 911 424 223 03 | bush                 |        | 2   |       |     |             |             |        |     |       |
| 26   | 900 092 002 01 | dowel pin<br>12 X 45 |        | 1   |       |     |             |             |        |     |       |
| 27   | 914 424 063 00 | gear shift rod       | /H     | 1   |       |     |             |             |        |     |       |
| 28   | 914 424 241 02 | head shift rod       |        | 1   |       |     |             |             |        |     |       |
| 29   | 901 424 229 00 | conical screw        |        | 2   |       |     |             |             |        |     |       |
| 30   | 911 424 139 00 | ball socket          |        | 1   |       |     |             |             |        |     |       |
| 31   | 914 424 224 03 | friction ring        |        | 1   |       |     |             |             |        |     |       |
| 32   | 914 424 169 02 | sealing sleeve       |        | 1   |       |     |             |             |        |     |       |
| 33   | 914 424 239 02 | sealing sleeve       |        | 1   |       |     |             |             |        |     |       |
| 34   | PCG 424 501 01 | cover                |        | 1   |       |     |             |             |        |     |       |
| 35   | 914 424 503 01 | hose clamp           |        | 1   |       |     |             |             |        |     |       |
| 35/1 | N 014 059 1    | lock                 |        | 1   |       |     |             |             |        |     |       |
| 36   | 999 513 002 40 | tie-wrap             |        | 2   |       |     |             |             |        |     |       |

|       |      |    |    |              |              |     |              |            |         |     |         |
|-------|------|----|----|--------------|--------------|-----|--------------|------------|---------|-----|---------|
| Model | Year | MG | SG | Illustration | Restrictions | UPD | 18:22        | 30.01.2010 | PORSCHE | PET | PORSCHE |
| 914   | 1976 | 7  | 01 | 701-10       |              | 248 | USA / CANADA |            |         |     |         |



| Pos | Part Number    | Description   | Remark | Qty | Model                       |
|-----|----------------|---|--------|-----|-----------------------------|
|     |                | handbrake<br>manual throttle<br>heating<br>actuator |        |     |                             |
| 1   | 914 424 053 00 | parking-brake lever<br>complete                     | -72    | 1   | 914-6/4                     |
| 1/1 | 914 424 053 01 | parking-brake lever<br>complete                     | 73-    | 1   | 914-1,7/1,8V<br>914-1,8/2,0 |
| 2   | 914 424 056 00 | parking-brake lever                                 | -72    | 1   | 914-6/4                     |
| 2/1 | 914 424 056 02 | parking-brake lever                                 | 73-    | 1   | 914-1,7/1,8V<br>914-1,8/2,0 |
| 3   | 914 424 055 00 | push rod  | -72    | 1   | 914-6/4                     |
| 3/1 | 914 424 255 02 | push rod  | 73-    | 1   | 914-1,7/1,8V<br>914-1,8/2,0 |
| 4   | 914 424 054 00 | lever   | -72    | 1   | 914-6/4                     |
| 5   | 901 424 508 00 | pawl  |        | 1   |                             |
| 6   | 901 424 511 00 | bolt<br>for<br>pawl                                 |        | 1   |                             |
| 7   | 900 224 013 00 | clinch pin<br>A 4H 11 X 16                          | -72    | 1   | 914-6/4                     |
| 8   | 900 121 026 00 | tubular rivet<br>B 8 X 1 X 20                       | -72    | 1   | 914-6/4                     |
| 9   | 914 424 247 00 | bush  |        | 1   |                             |
| 10  | 900 089 001 02 | washer  |        | 1   |                             |
| 11  | 901 424 543 00 | compression spring                                  |        | 1   |                             |
| 12  | 901 424 593 01 | rubber ring   |        | 1   |                             |
| 13  | 901 424 523 01 | push button   |        | 1   |                             |
| 14  | 901 424 521 01 | handle  |        | 1   |                             |
| 15  | 914 424 057 00 | sealing sleeve                                      | -72    | 1   | 914-6/4                     |
| 16  | 914 424 541 00 | locking segment                                     |        | 1   |                             |
| 17  | 900 027 015 02 | lock ring<br>B 8                                    |        | 1   |                             |
| 18  | 900 075 085 02 | hexagon-head bolt<br>M 8 X 20                       |        | 1   |                             |

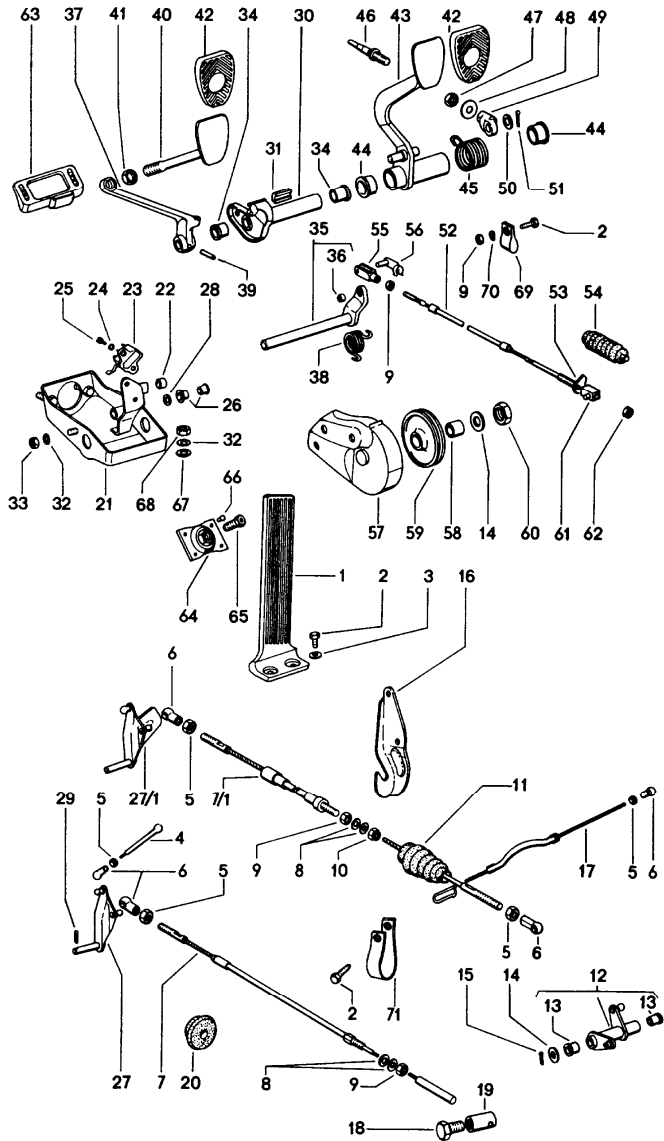
|       |      |    |    |              |              |     |              |            |         |     |         |
|-------|------|----|----|--------------|--------------|-----|--------------|------------|---------|-----|---------|
| Model | Year | MG | SG | Illustration | Restrictions | UPD | 18:22        | 30.01.2010 | PORSCHE | PET | PORSCHE |
| 914   | 1976 | 7  | 01 | 701-10       |              | 248 | USA / CANADA |            |         |     |         |

| Pos  | Part Number    | Description                              | Remark | Qty | Model   | Pos  | Part Number    | Description                                  | Remark | Qty | Model                                |
|------|----------------|--|--------|-----|---------|------|----------------|--|--------|-----|--------------------------------------|
| 19   | 914 424 543 00 | hose<br>for<br>stop<br>handbrake         | -72    | 1   | 914-6/4 | 41   | 914 424 071 00 | manual throttle<br>actuator                  |        | 1   | 914-6                                |
| 20   | 113 947 561 D  | contact switch                           |        | 1   |         | 42   | 914 424 792 01 | handle                                       |        | 1   | 914-6                                |
| 21   | 914 424 542 00 | washer                                   | -72    | X   | 914-6/4 | 43   | 914 424 035 00 | push rod                                     |        | 1   | 914-6                                |
| 22   | N 013 958 7    | tapping screw<br>B 3,5 X 13              |        | 3   |         | 44   | 900 076 027 02 | hexagon nut<br>M 5                           |        | 1   | 914-6                                |
| 23   | 914 424 256 00 | cable                                    |        | 1   |         | 45   | N 015 521 3    | ball socket<br>A 8                           |        | 1   | 914-6                                |
| 24   | 914 424 571 01 | bolt                                     |        | 1   |         | 46   | 914 424 225 00 | sleeve                                       |        | 1   | 914-6                                |
| 25   | 914 424 568 00 | turnbuckle                               |        | 1   |         | 47   | 914 424 024 00 | support                                      |        | 1   | 914-6                                |
| 26   | 914 424 571 00 | bolt                                     |        | 1   |         | 48   | 914 424 219 00 | friction ring                                |        | 1   | 914-6                                |
| 27   | N 012 645 2    | lock                                     |        | 4   |         | 49   | 900 075 010 02 | hexagon-head bolt<br>M 6 X 12                |        | 1   | 914-6                                |
| 28   | 914 424 567 00 | tab                                      |        | 1   |         | 50   | N 011 524 7    | washer<br>6,4                                |        | 1   | 914-6                                |
| 29   | 914 424 545 00 | return spring                            |        | 1   |         | 51   | 900 027 014 01 | lock ring<br>B 6                             |        | 1   | 914-6                                |
| 30   | 914 424 551 01 | parking-brake cable                      | /L     | 1   |         | (52) | 914 424 073 00 | actuator<br>heating<br>with<br>picture<br>53 |        | 1   | 914-6                                |
| 31   | 914 424 552 01 | parking-brake cable                      | /R     | 1   |         | (52) | 914 424 073 01 | actuator<br>heating                          | -72    | 1   | 914-4                                |
| 32   | 999 166 055 02 | bolt<br>A 6 X 15 X 12                    |        | 2   |         | (52) | 914 424 073 04 | actuator<br>heating                          | -72    | 1   | 914-4                                |
| 33   | 914 424 591 00 | sealing sleeve                           | /H     | 2   |         | 52   | 914 424 073 02 | actuator<br>heating                          |        | 1   | 914-4/1,7<br>914-1,8/1,8V<br>914-2,0 |
| 34   | 914 424 592 00 | sealing sleeve                           | /V     | 2   |         | (52) | 914 424 073 02 | actuator<br>heating<br>for<br>centre console | 73-    | 1   | 914-1,7/1,8V<br>914-1,8/2,0          |
| 35 A | 999 166 017 02 | kl-lock                                  |        | 2   |         | 53   | 914 424 792 01 | handle                                       |        | 1   |                                      |
| 35   | 999 166 017 01 | kl-lock                                  |        | 2   |         | 54   | 911 424 792 01 | handle                                       | -72    | 1   | 914-4                                |
| 36   | 999 511 072 02 | pipe clamp<br>with<br>tread              |        | 2   |         | 55   | 900 075 078 02 | hexagon-head bolt<br>M 8 X 15                |        | 1   |                                      |
| 37   | 999 591 349 02 | speed nut<br>B 3,5                       |        | 2   |         |      |                |  |        |     |                                      |
| 38   | 999 706 005 80 | suspension strap                         |        | 1   | 914-6   |      |                |  |        |     |                                      |
| 38   | 911 424 341 02 | suspension strap                         |        | 1   | 914-6   |      |                |  |        |     |                                      |
| 39   | 900 028 008 01 | spring washer<br>B 6                     |        | 1   | 914-6   |      |                |  |        |     |                                      |
| 40   | 900 187 023 02 | hexagon-head tapping screw<br>B 5,5 X 16 |        | 1   | 914-6   |      |                |  |        |     |                                      |

|       |      |    |    |              |              |     |              |            |         |     |         |
|-------|------|----|----|--------------|--------------|-----|--------------|------------|---------|-----|---------|
| Model | Year | MG | SG | Illustration | Restrictions | UPD | 18:22        | 30.01.2010 | PORSCHE | PET | PORSCHE |
| 914   | 1976 | 7  | 01 | 701-10       |              | 248 | USA / CANADA |            |         |     |         |

| Pos | Part Number    | Description                         | Remark | Qty | Model                                | Pos | Part Number | Description | Remark | Qty | Model |
|-----|----------------|-------------------------------------|--------|-----|--------------------------------------|-----|-------------|-------------|--------|-----|-------|
| 56  | 900 027 015 02 | lock ring<br>B 8                    |        | 1   |                                      |     |             |             |        |     |       |
| 57  | 900 075 010 02 | hexagon-head bolt<br>M 6 X 12       |        | 1   |                                      |     |             |             |        |     |       |
| 58  | 900 027 014 01 | lock ring<br>B 6                    |        | 1   |                                      |     |             |             |        |     |       |
| 59  | 914 424 075 00 | wire pull<br>for<br>flap<br>heating |        | 1   | 914-6                                |     |             |             |        |     |       |
| 59  | PCG 424 075 01 | wire pull<br>for<br>flap<br>heating | -74    | 1   | 914-4/1,7<br>914-1,8/1,8V<br>914-2,0 |     |             |             |        |     |       |
| 59  | 914 424 075 03 | wire pull<br>for<br>flap<br>heating | 75-    | 1   | 914-1,8/2,0                          |     |             |             |        |     |       |
| 60  | 113 711 691    | grommet                             |        | 2   |                                      |     |             |             |        |     |       |
| 61  | 311 129 777    | bearing pin                         |        | 2   |                                      |     |             |             |        |     |       |
| 62  | N 010 205 6    | hexagon-head bolt<br>M 5 X 10       |        | 2   |                                      |     |             |             |        |     |       |

|       |      |    |    |              |              |     |              |            |         |     |         |
|-------|------|----|----|--------------|--------------|-----|--------------|------------|---------|-----|---------|
| Model | Year | MG | SG | Illustration | Restrictions | UPD | 18:22        | 30.01.2010 | PORSCHE | PET | PORSCHE |
| 914   | 1976 | 7  | 02 | 702-00       |              | 248 | USA / CANADA |            |         |     |         |



| Pos | Part Number    | Description                                    | Remark | Qty | Model                    |
|-----|----------------|--|--------|-----|--------------------------|
|     |                | pedals<br>for cars with<br>manual transmission |        |     |                          |
| 1   | 901 423 010 00 | accelerator pedal                              |        | 1   |                          |
| 2   | 900 075 057 02 | hexagon-head bolt<br>M 6 X 16                  |        | 2   |                          |
| 2   | 900 075 057 02 | hexagon-head bolt<br>M 6 X 16                  |        | 3   | 914-6/2,0                |
| 3   | 900 151 006 09 | washer<br>B 6,4                                |        | 2   |                          |
| 4   | 914 423 227 00 | push rod                                       |        | 1   |                          |
| 5   | 900 076 027 02 | hexagon nut<br>M 5                             |        | 2   |                          |
| 5   | 900 076 027 02 | hexagon nut<br>M 5                             |        | 4   | 914-6                    |
| 6   | N 015 521 3    | ball socket                                    |        | 2   |                          |
| 6   | N 015 521 3    | ball socket                                    |        | 4   | 914-6                    |
| (7) | 914 423 067 00 | accelerator cable                              |        | 1   | 914-4/1,7<br>914-2,0     |
| 7   | 914 423 067 02 | accelerator cable                              |        | 1   | 914-4/1,7<br>914-1,8/2,0 |
| 7/1 | 914 423 066 00 | accelerator cable                              |        | 1   | 914-6                    |
| 8   | N 011 524 7    | washer<br>6,4                                  |        | 2   |                          |
| 9   | 900 076 010 02 | hexagon nut<br>M 6                             |        | 3   |                          |
| 10  | 914 423 287 00 | hexagon nut                                    |        | 1   | 914-6                    |
| 11  | 914 423 593 00 | sealing sleeve                                 |        | 1   | 914-6                    |
| 12  | 914 423 025 01 | reverse lever                                  |        | 1   | 914-6                    |
| 13  | 914 423 211 00 | bush   |        | 2   | 914-6                    |
| 14  | 900 025 008 02 | washer<br>10,5                                 |        | 1   |                          |
| 14  | 900 025 008 02 | washer<br>10,5                                 |        | 2   | 914-6                    |
| 15  | N 012 530 1    | cotter pin<br>3 X 15                           |        | 1   | 914-6                    |

|       |      |    |    |              |              |     |              |            |         |     |         |
|-------|------|----|----|--------------|--------------|-----|--------------|------------|---------|-----|---------|
| Model | Year | MG | SG | Illustration | Restrictions | UPD | 18:22        | 30.01.2010 | PORSCHE | PET | PORSCHE |
| 914   | 1976 | 7  | 02 | 702-00       |              | 248 | USA / CANADA |            |         |     |         |

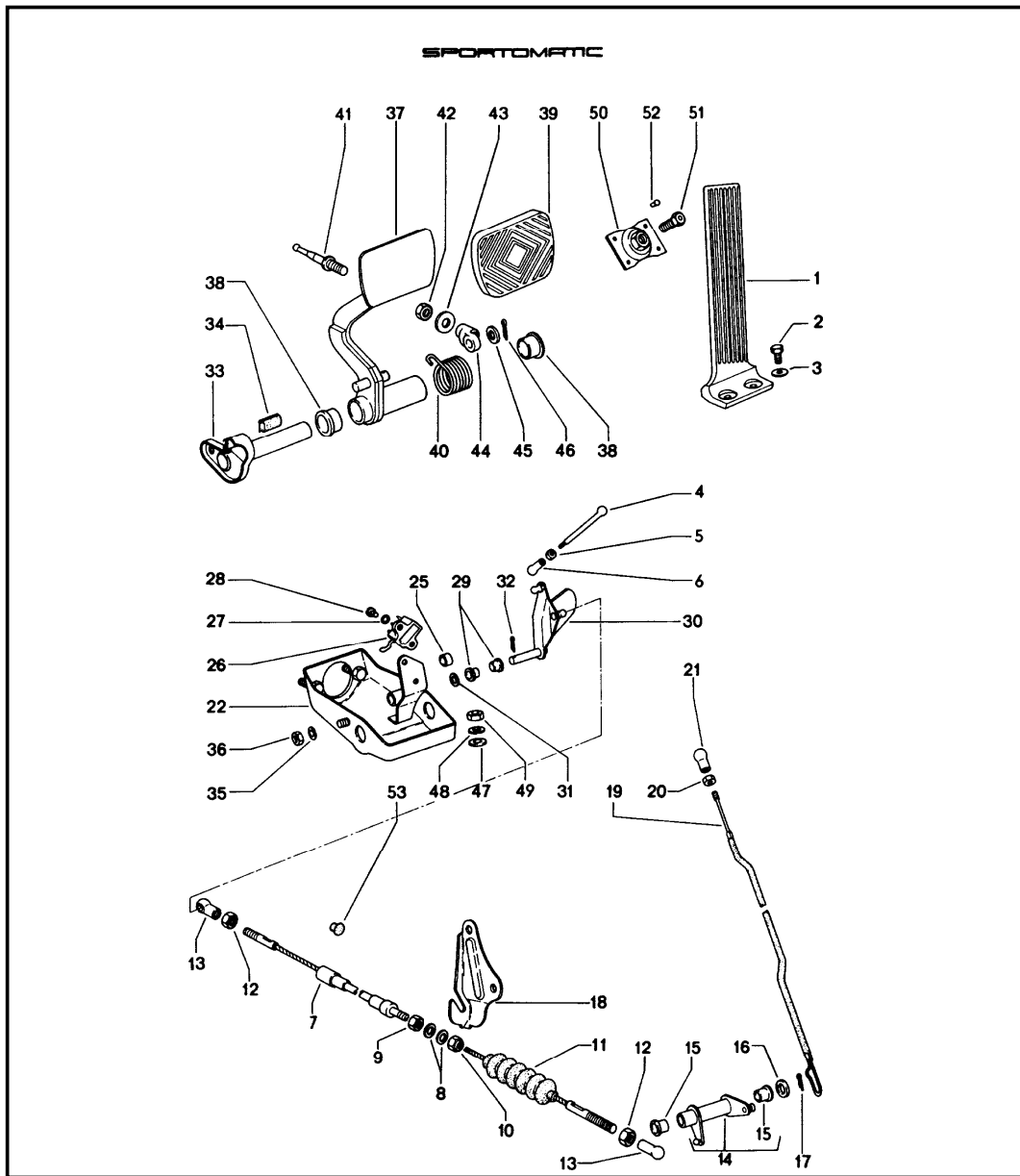
| Pos  | Part Number    | Description                      | Remark | Qty | Model                                | Pos  | Part Number    | Description                     | Remark | Qty | Model |
|------|----------------|----------------------------------|--------|-----|--------------------------------------|------|----------------|---------------------------------|--------|-----|-------|
| 16   | 914 423 285 01 | support<br>for accelerator cable |        | 1   | 914-6                                | 37   | 901 423 312 00 | clutch pedal<br>lower part      |        | 1   |       |
| 17   | 901 423 026 03 | throttle linkage                 |        | 1   | 914-6                                | 38   | 901 423 317 00 | steering knuckle spring         |        | 1   |       |
| 18   | N 010 205 6    | hexagon-head bolt<br>M 5 X 10    |        | 1   | 914-4/1,7<br>914-1,8/2,0             | 39   | 900 309 002 00 | roll pin<br>S 6 X 28            |        | 1   |       |
| 19   | 111 129 921    | bearing pin                      |        | 1   | 914-4/1,7<br>914-1,8/2,0             | 40   | 914 423 034 00 | clutch pedal<br>upper part      |        | 1   |       |
| 20   | 111 971 911 A  | rubber sleeve                    |        | 1   | 914-4/1,7<br>914-1,8/1,8V<br>914-2,0 | 41   | 900 183 002 02 | hexagon nut<br>M 14 X 1,5       |        | 1   |       |
| 21   | 911 423 065 02 | bearing bracket                  |        | 1   |                                      | 42   | 914 423 210 00 | rubber pad                      |        | 2   |       |
| 22   | 901 423 193 00 | rubber stop                      |        | 1   |                                      | 43   | 901 423 053 02 | brake pedal                     |        | 1   |       |
| 23   | 911 613 411 00 | brake light switch               |        | 1   |                                      | 44   | 911 423 542 00 | bush                            |        | 2   |       |
| 24   | 900 114 014 01 | shake-proof washer<br>A 4,3      |        | 2   |                                      | 45   | 901 423 531 00 | return spring                   |        | 1   |       |
| 25   | 900 146 011 02 | oval-head screw<br>AM 4 X 10     |        | 2   |                                      | 46   | 901 423 057 04 | piston rod                      |        | 1   |       |
| 26   | 901 423 253 00 | bearing sleeve                   |        | 2   |                                      | 47   | 900 158 003 02 | hexagon nut<br>M 10             |        | 1   |       |
| 27   | 901 423 250 02 | reverse lever<br>front           |        | 1   |                                      | 48   | 901 423 157 00 | washer                          |        | 1   |       |
| 27/1 | 914 423 260 00 | reverse lever<br>front           |        | 1   | 914-6                                | 49   | 901 423 507 02 | intermediate piece              |        | 1   |       |
| 28   | 900 031 001 02 | washer<br>8,4                    |        | 1   |                                      | 50   | N 011 564 2    | washer                          |        | 1   |       |
| 29   | 900 021 008 00 | cotter pin<br>2 X 15             |        | 1   |                                      | 51   | 900 021 015 00 | cotter pin<br>3 X 20            |        | 1   |       |
| 30   | 901 423 035 00 | bearing tube                     |        | 1   |                                      | (52) | 914 423 401 05 | clutch cable                    |        | 1   |       |
| 31   | 901 423 391 00 | rubber stop                      |        | 1   |                                      | 52   | 914 423 401 02 | clutch cable                    |        | 1   | 914-6 |
| 32   | 900 027 015 02 | lock ring<br>B 8                 |        | 3   |                                      | 53   | 914 423 283 00 | tab washer                      |        | 1   |       |
| 33   | N 011 151 3    | hexagon nut<br>M 8               |        | 1   |                                      | 54   | 914 423 922 02 | sealing sleeve                  |        | 1   |       |
| 34   | 911 423 341 01 | bush                             |        | 2   |                                      | 55   | 900 166 002 02 | clevis<br>G 6 X 24              |        | 1   |       |
| 35   | 901 423 320 01 | clutch pedal shaft               |        | 2   |                                      | 56   | 999 166 001 02 | bolt                            |        | 1   |       |
| 36   | 901 423 343 00 | bush                             |        | 1   |                                      | 57   | 914 423 030 02 | bearing bracket                 |        | 1   |       |
|      |                |                                  |        |     |                                      | 58   | 914 423 273 00 | spacer sleeve                   |        | 1   |       |
|      |                |                                  |        |     |                                      | 59   | 914 423 255 02 | deflection roller               |        | 1   |       |
|      |                |                                  |        |     |                                      | 60   | 999 084 027 02 | hexagon nut<br>UNI-STOP U 18.10 |        | 1   |       |



|       |      |    |    |              |              |     |              |            |         |     |         |
|-------|------|----|----|--------------|--------------|-----|--------------|------------|---------|-----|---------|
| Model | Year | MG | SG | Illustration | Restrictions | UPD | 18:22        | 30.01.2010 | PORSCHE | PET | PORSCHE |
| 914   | 1976 | 7  | 02 | 702-00       |              | 248 | USA / CANADA |            |         |     |         |

| Pos | Part Number    | Description                      | Remark | Qty | Model   | Pos | Part Number | Description | Remark | Qty | Model |
|-----|----------------|----------------------------------|--------|-----|---------|-----|-------------|-------------|--------|-----|-------|
| 61  | 911 423 205 03 | lever                            |        | 1   |         |     |             |             |        |     |       |
| 62  | N 021 193 1    | hexagon nut<br>M 7               |        | 1   |         |     |             |             |        |     |       |
| 63  | 914 551 067 00 | stop<br>for<br>clutch pedal      |        | 1   |         |     |             |             |        |     |       |
| 64  | 901 551 065 20 | stop<br>for<br>accelerator pedal |        | 1   |         |     |             |             |        |     |       |
| 65  | 901 551 671 20 | hexagon-head bolt                |        | 1   |         |     |             |             |        |     |       |
| 66  | 900 121 017 20 | tubular rivet<br>B 5 X 0,75 X 10 |        | 4   |         |     |             |             |        |     |       |
| 67  | 900 025 007 02 | washer<br>8,4                    |        | 2   |         |     |             |             |        |     |       |
| 68  | 900 076 025 02 | hexagon nut<br>M 8               |        | 2   |         |     |             |             |        |     |       |
| 69  | 999 511 076 02 | clamp                            |        | 1   | 914-6   |     |             |             |        |     |       |
| 70  | 900 028 008 01 | spring washer<br>B 6             |        | 1   | 914-6   |     |             |             |        |     |       |
| 71  | 999 706 005 80 | suspension strap                 |        | 1   | 914-2,0 |     |             |             |        |     |       |
| 71  | 911 424 341 02 | suspension strap                 |        | 1   | 914-6   |     |             |             |        |     |       |
| -   | N 020 902 1    | tie-wrap                         |        | 2   | 914-6   |     |             |             |        |     |       |
| -   | 999 513 002 40 | tie-wrap<br>186 MM               |        | 1   | 914-6   |     |             |             |        |     |       |
| -   | 999 513 008 40 | tie-wrap<br>100 MM               |        | 2   |         |     |             |             |        |     |       |

|       |      |    |    |              |              |     |              |            |         |     |         |
|-------|------|----|----|--------------|--------------|-----|--------------|------------|---------|-----|---------|
| Model | Year | MG | SG | Illustration | Restrictions | UPD | 18:22        | 30.01.2010 | PORSCHE | PET | PORSCHE |
| 914   | 1976 | 7  | 02 | 702-05       |              | 248 | USA / CANADA |            |         |     |         |



| Pos | Part Number    | Description                      | Remark | Qty | Model     |
|-----|----------------|----------------------------------|--------|-----|-----------|
|     |                | pedals                           |        |     | 914-6:SPM |
| 1   | 901 423 010 00 | accelerator pedal                |        | 1   |           |
| 2   | 900 075 057 02 | hexagon-head bolt<br>M 6 X 16    |        | 2   |           |
| 3   | 900 151 006 09 | washer<br>B 6,4                  |        | 2   |           |
| 4   | 914 423 227 00 | push rod                         |        | 1   |           |
| 5   | 900 076 027 02 | hexagon nut<br>M 5               |        | 1   |           |
| 6   | N 015 521 3    | ball socket<br>A 8               |        | 1   |           |
| 7   | 914 423 066 00 | accelerator cable                |        | 1   |           |
| 8   | N 011 524 7    | washer<br>B 6,4                  |        | 2   |           |
| 9   | 900 076 010 02 | hexagon nut<br>M 6               |        | 1   |           |
| 10  | 914 423 287 00 | hexagon nut                      |        | 1   |           |
| 11  | 914 423 593 00 | sealing sleeve                   |        | 1   |           |
| 12  | 900 076 027 02 | hexagon nut<br>M 5               |        | 2   |           |
| 13  | N 015 521 3    | ball socket<br>A 8               |        | 2   |           |
| 14  | 914 423 025 01 | reverse lever                    |        | 1   |           |
| 15  | 914 423 211 00 | bush                             |        | 2   |           |
| 16  | 900 025 008 02 | washer<br>10,5                   |        | 1   |           |
| 17  | N 012 530 1    | cotter pin<br>3 X 15             |        | 1   |           |
| 18  | 914 423 288 00 | support<br>for accelerator cable |        | 1   |           |
| 19  | 905 423 026 02 | throttle linkage                 |        | 1   |           |
| 20  | 900 076 027 02 | hexagon nut<br>M 5               |        | 1   |           |
| 21  | N 015 521 3    | ball socket<br>A 8               |        | 1   |           |

|       |      |    |    |              |              |     |              |            |         |     |         |
|-------|------|----|----|--------------|--------------|-----|--------------|------------|---------|-----|---------|
| Model | Year | MG | SG | Illustration | Restrictions | UPD | 18:22        | 30.01.2010 | PORSCHE | PET | PORSCHE |
| 914   | 1976 | 7  | 02 | 702-05       |              | 248 | USA / CANADA |            |         |     |         |

| Pos | Part Number    | Description                  | Remark | Qty | Model | Pos | Part Number    | Description                         | Remark | Qty | Model |
|-----|----------------|------------------------------|--------|-----|-------|-----|----------------|-------------------------------------|--------|-----|-------|
| 22  | 911 423 065 02 | bearing bracket              |        | 1   |       | 47  | 900 025 007 02 | washer<br>8,4                       |        | 2   |       |
| 25  | 901 423 193 00 | rubber stop                  |        | 1   |       | 48  | 900 027 015 02 | lock ring<br>B 8                    |        | 2   |       |
| 26  | 911 613 411 00 | brake light switch           |        | 1   |       | 49  | 900 076 025 02 | hexagon nut<br>M 8                  |        | 2   |       |
| 27  | 900 114 014 01 | shake-proof washer<br>A 4,3  |        | 2   |       | 50  | 901 551 065 20 | stop<br>for<br>accelerator pedal    |        | 1   |       |
| 28  | 900 146 011 02 | oval-head screw<br>AM 4 X 10 |        | 2   |       | 51  | 901 551 671 20 | hexagon-head bolt                   |        | 1   |       |
| 29  | 901 423 253 00 | bearing sleeve               |        | 2   |       | 52  | 900 121 017 20 | tubular rivet<br>B 5 X 0,75 X 10 CU |        | 1   |       |
| 30  | 914 423 260 00 | reverse lever<br>front       |        | 1   |       | 53  | 999 703 058 40 | cap plug                            |        | 1   |       |
| 31  | 900 031 001 02 | washer<br>8,4                |        | 1   |       |     |                |                                     |        |     |       |
| 32  | 900 021 008 00 | cotter pin<br>2 X 15         |        | 1   |       |     |                |                                     |        |     |       |
| 33  | 905 423 035 00 | bearing tube                 |        | 1   |       |     |                |                                     |        |     |       |
| 34  | 905 423 391 00 | protective strip             |        | 1   |       |     |                |                                     |        |     |       |
| 35  | 900 027 015 02 | lock ring<br>B 8             |        | 01  |       |     |                |                                     |        |     |       |
| 36  | N 011 151 3    | hexagon nut<br>M 8           |        | 1   |       |     |                |                                     |        |     |       |
| 37  | 905 423 053 00 | brake pedal                  |        | 1   |       |     |                |                                     |        |     |       |
| 38  | 911 423 542 00 | bush                         |        | 2   |       |     |                |                                     |        |     |       |
| 39  | 905 423 511 00 | rubber pad                   |        | 1   |       |     |                |                                     |        |     |       |
| 40  | 905 423 531 00 | return spring                |        | 1   |       |     |                |                                     |        |     |       |
| 41  | 901 423 057 04 | piston rod                   |        | 1   |       |     |                |                                     |        |     |       |
| 42  | 900 158 003 02 | hexagon nut<br>M 10          |        | 1   |       |     |                |                                     |        |     |       |
| 43  | 901 423 157 00 | washer                       |        | 1   |       |     |                |                                     |        |     |       |
| 44  | 901 423 507 02 | intermediate piece           |        | 1   |       |     |                |                                     |        |     |       |
| 45  | N 011 564 2    | washer<br>13                 |        | 1   |       |     |                |                                     |        |     |       |
| 46  | 900 021 015 00 | cotter pin<br>3 X 20         |        | 1   |       |     |                |                                     |        |     |       |

PORSCHE

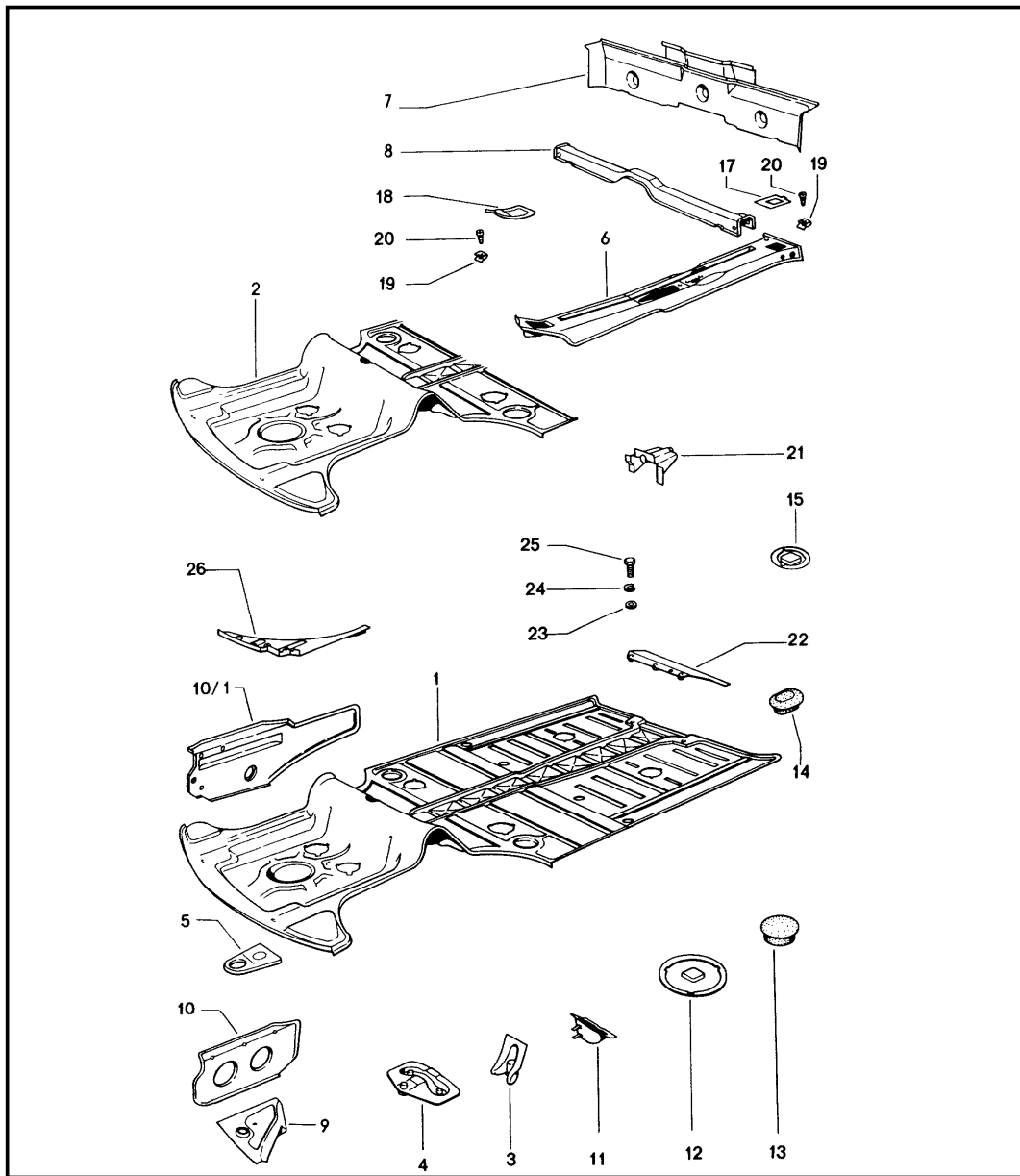
# PET

PORSCHE

|       |      |    |    |              |              |     |              |            |
|-------|------|----|----|--------------|--------------|-----|--------------|------------|
| Model | Year | MG | SG | Illustration | Restrictions | UPD | 18:23        | 30.01.2010 |
| 914   | 1976 | 8  | 01 | 801-00       |              | 248 | USA / CANADA |            |

| Pos | Part Number    | Description                            | Remark        | Qty | Model        |
|-----|----------------|--|---------------|-----|--------------|
| -   | 914 501 003 11 | body in white                          |               | 1   | 914-6        |
| -   | 914 501 004 12 | body in white<br>not for<br>(USA), (J) | 75-           | 1   |              |
| -   | 914 501 779 13 | body in white                          | (J) (USA) 75- | 1   | 914-1,8V/2,0 |

|       |      |    |    |              |              |     |              |            |         |     |         |
|-------|------|----|----|--------------|--------------|-----|--------------|------------|---------|-----|---------|
| Model | Year | MG | SG | Illustration | Restrictions | UPD | 18:23        | 30.01.2010 | PORSCHE | PET | PORSCHE |
| 914   | 1976 | 8  | 01 | 801-05       |              | 248 | USA / CANADA |            |         |     |         |



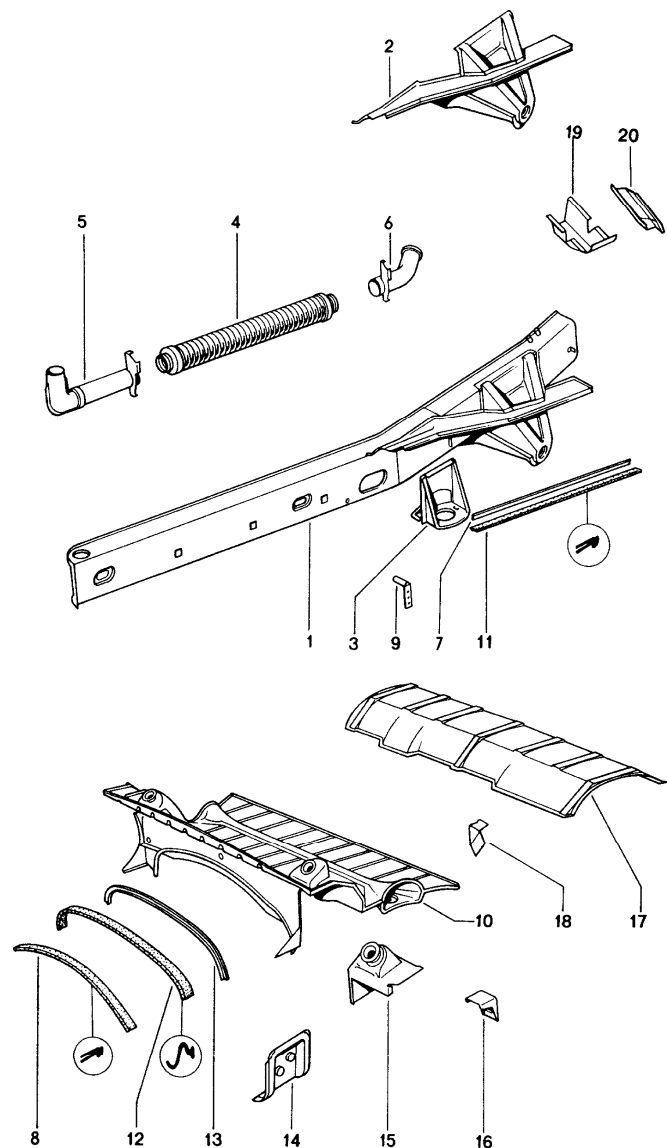
| Pos  | Part Number    | Description                                   | Remark | Qty | Model         |
|------|----------------|---|--------|-----|---------------|
|      |                | frame front                                   |        |     |               |
| 1    | 914 501 937 11 | floorpan                                      |        | 1   |               |
| 2    | 914 501 938 11 | floorpan front part                           |        | 1   |               |
| 3    | 914 501 059 00 | mount for cross tube front axle               |        | 2   |               |
| 4    | 914 501 057 00 | reinforcement for axle mounting               | /V     | 2   |               |
| 5    | 914 501 531 10 | towing lug                                    | /V     | 1   |               |
| 6    | 914 501 062 13 | tunnel  |        | 1   |               |
| 7    | 914 501 643 10 | transverse strut                              |        | 1   |               |
| 8    | 914 501 109 10 | cross member seat                             |        | 1   |               |
| 9    | 914 507 041 10 | corner plate                                  | /L     | 1   |               |
| (9)  | 914 507 042 10 | corner plate                                  | /R     | 1   |               |
| (10) | 914 501 115 10 | separator for wheel housing cross panel front | /L     | 1   |               |
| 10/1 | 914 507 011 10 | separator for wheel housing cross panel front | /L     | 75- | 1 914-1,8/2,0 |
| 10   | 914 501 116 10 | separator for wheel housing cross panel front | /R     | 1   |               |
| 10/1 | 914 507 012 10 | separator for wheel housing cross panel front | /R     | 75- | 1 914-1,8/2,0 |
| 11   | 914 501 164 10 | mounting for axle mounting                    | /H/L   | 1   |               |

|       |      |    |    |              |              |     |              |            |         |     |         |
|-------|------|----|----|--------------|--------------|-----|--------------|------------|---------|-----|---------|
| Model | Year | MG | SG | Illustration | Restrictions | UPD | 18:23        | 30.01.2010 | PORSCHE | PET | PORSCHE |
| 914   | 1976 | 8  | 01 | 801-05       |              | 248 | USA / CANADA |            |         |     |         |

| Pos  | Part Number    | Description   | Remark | Qty | Model                       | Pos  | Part Number    | Description                                 | Remark | Qty | Model                       |
|------|----------------|---|--------|-----|-----------------------------|------|----------------|---|--------|-----|-----------------------------|
| (11) | 914 501 164 10 | reinforcement<br>for<br>axle mounting                   | /H/R   | 1   |                             | (26) | 914 502 110 10 | reinforcement<br>for<br>cross panel<br>lock | /R     | -74 | 1<br>914-1,7/1,8<br>914-2,0 |
| 12   | 914 559 247 10 | lid   |        | 1   |                             |      |                |   |        |     |                             |
| 13   | 914 559 243 10 | stopper<br>for<br>oil hose<br>and<br>water drain sleeve |        | -73 | 1 914-4/1,7<br>914-2,0      |      |                |   |        |     |                             |
| 13   | 914 559 243 10 | stopper<br>for<br>oil hose<br>and<br>water drain sleeve |        | -73 | 2 914-6                     |      |                |   |        |     |                             |
| 14   | 914 559 245 10 | stopper<br>for<br>fuel line                             |        | 1   | 914-6                       |      |                |   |        |     |                             |
| 15   | 914 559 241 10 | lid   |        | 8   |                             |      |                |   |        |     |                             |
| 17   | 914 504 912 10 | lid<br>for<br>tunnel                                    | /H     | 1   |                             |      |                |   |        |     |                             |
| 18   | 914 504 025 10 | lid<br>for<br>tunnel                                    | /V     | 1   |                             |      |                |   |        |     |                             |
| 19   | 999 507 009 02 | speed nut   |        | 2   |                             |      |                |   |        |     |                             |
| 20   | 900 138 003 01 | pan-head tapping screw<br>B 3,5 X 9,5                   |        | 2   |                             |      |                |   |        |     |                             |
| 21   | 914 501 408 10 | bracket<br>for<br>towing lug                            |        | -74 | 1                           |      |                |   |        |     |                             |
| 22   | 914 559 163 10 | protection cover  |        | 2   | 914-1,7/1,8V<br>914-1,8/2,0 |      |                |   |        |     |                             |
| 23   | 900 025 003 02 | washer<br>B 5,3   |        | 6   | 914-1,7/1,8V<br>914-1,8/2,0 |      |                |   |        |     |                             |
| 24   | N 012 005 3    | lock ring<br>B 5  |        | 6   | 914-1,7/1,8V<br>914-1,8/2,0 |      |                |   |        |     |                             |
| 25   | N 010 207 6    | hexagon-head bolt<br>M 5 X 12                           |        | 6   | 914-1,7/1,8V<br>914-1,8/2,0 |      |                |   |        |     |                             |
| 26   | 914 502 109 10 | reinforcement<br>for<br>cross panel<br>lock             | /L     | -74 | 1 914-1,7/1,8<br>914-2,0    |      |                |   |        |     |                             |

|       |      |    |    |              |              |     |              |            |         |     |         |
|-------|------|----|----|--------------|--------------|-----|--------------|------------|---------|-----|---------|
| Model | Year | MG | SG | Illustration | Restrictions | UPD | 18:23        | 30.01.2010 | PORSCHE | PET | PORSCHE |
| 914   | 1976 | 8  | 01 | 801-10       |              | 248 | USA / CANADA |            |         |     |         |

| Pos | Part Number    | Description  | Remark | Qty | Model                                |
|-----|----------------|--|--------|-----|--------------------------------------|
| (1) | 914 501 435 10 | frame rear   |        | 1   |                                      |
| 1   | 914 501 436 12 | inner panel for side member with picture 3<br>FUER TYP 914-6<br>POS.3 ENTFERNEN  | /L     | 1   |                                      |
| 2   | 914 501 044 11 | inner panel for side member with picture 3<br>FUER TYP 914-6<br>POS. 3 ENTFERNEN | /R     | 1   |                                      |
| 2   | 914 501 044 11 | bracket for mounting rear axle   | /R     | 1   |                                      |
| (2) | 914 501 017 10 | bracket for mounting rear axle   | /L     | 1   |                                      |
| (3) | 914 501 183 10 | engine mounting  | /L     | 1   | 914-4/1,7<br>914-1,8/1,8V<br>914-2,0 |
| 3   | 914 501 184 10 | engine mounting  | /R     | 1   | 914-4/1,7<br>914-1,8/1,8V<br>914-2,0 |
| 4   | 911 572 025 02 | muffler  | -74    | 2   |                                      |
| (4) | 911 572 025 02 | muffler not closed   | 75-    | 2   | 914-1,8V/1,8<br><br>914-2,0          |
| (5) | 914 501 027 10 | hot air duct   | /V/L   | 1   |                                      |
| 5   | 914 501 028 10 | hot air duct   | /V/R   | 1   |                                      |
| (6) | 914 501 031 10 | hot air duct   | /H/L   | 1   |                                      |
| 6   | 914 501 032 10 | hot air duct   | /H/R   | 1   |                                      |
| 7   | 914 501 825 10 | profile strip  |        | 2   |                                      |
| 8   | 914 504 117 10 | engine compartment seal  | /V     | 1   |                                      |

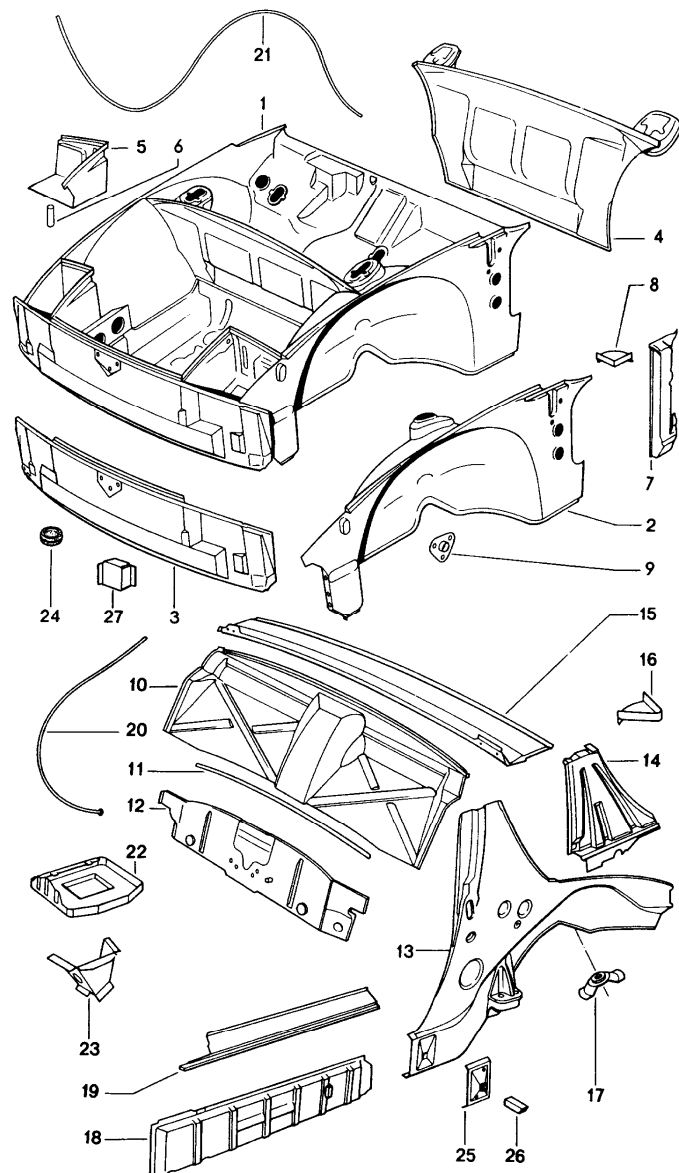


|       |      |    |    |              |              |     |              |            |         |     |         |
|-------|------|----|----|--------------|--------------|-----|--------------|------------|---------|-----|---------|
| Model | Year | MG | SG | Illustration | Restrictions | UPD | 18:23        | 30.01.2010 | PORSCHE | PET | PORSCHE |
| 914   | 1976 | 8  | 01 | 801-10       |              | 248 | USA / CANADA |            |         |     |         |

| Pos  | Part Number    | Description                              | Remark    | Qty | Model   | Pos                         | Part Number | Description | Remark | Qty | Model |
|------|----------------|--|-----------|-----|---------|-----------------------------|-------------|-------------|--------|-----|-------|
| 9    | 914 501 525 10 | stop<br>for<br>handbrake                 | /L        | 1   | 914-6/4 |                             |             |             |        |     |       |
| 10   | 914 501 083 10 | floorpan                                 |           | -74 | 1       | 914-6/4/1,7<br>914-1,8V/2,0 |             |             |        |     |       |
| (10) | 914 507 015 10 | floorpan                                 |           | -74 | 1       | 914-1,8/2,0                 |             |             |        |     |       |
|      |                |  | (J) (USA) |     |         |                             |             |             |        |     |       |
| (10) | 914 501 083 14 | floorpan                                 |           | 75- | 1       | 914-1,8/2,0                 |             |             |        |     |       |
| (11) | 914 504 157 10 | engine compartment seal<br>lateral       | /L        |     | 1       |                             |             |             |        |     |       |
| 11   | 914 504 158 10 | engine compartment seal<br>lateral       | /R        |     | 1       |                             |             |             |        |     |       |
| 12   | 914 504 155 10 | engine compartment seal                  | /H        |     | 1       |                             |             |             |        |     |       |
| 13   | 914 501 827 10 | profile strip                            | /H        |     | 1       |                             |             |             |        |     |       |
| 14   | 914 501 075 10 | bearing bracket<br>for<br>handbrake      |           |     | 1       |                             |             |             |        |     |       |
| 15   | 914 501 077 10 | pot<br>for<br>shock absorber             | /H/L      |     | 1       |                             |             |             |        |     |       |
| (15) | 914 501 078 10 | pot<br>for<br>shock absorber             | /H/R      |     | 1       |                             |             |             |        |     |       |
| 16   | 914 501 851 12 | engine bracket<br>for<br>mount<br>bumper |           | -74 | 2       |                             |             |             |        |     |       |
| (16) | 914 501 851 12 | bracket<br>for<br>mount<br>bumper        |           | 75- | 2       | 914-1,8V/1,8<br>914-2,0     |             |             |        |     |       |
| 17   | 914 501 594 11 | heat protection plate                    |           |     | 1       |                             |             |             |        |     |       |
| 18   | 914 501 596 10 | support<br>for<br>heat protection plate  |           |     | 6       |                             |             |             |        |     |       |
| (19) | 914 501 141 10 | filler plate                             | /L        |     | 1       |                             |             |             |        |     |       |
| 19   | 914 501 142 10 | filler plate                             | /R        |     | 1       |                             |             |             |        |     |       |
| (20) | 914 501 143 10 | reinforcement                            | /L        |     | 1       |                             |             |             |        |     |       |
| 20   | 914 501 144 10 | reinforcement                            | /R        |     | 1       |                             |             |             |        |     |       |



|       |      |    |    |              |              |     |              |            |         |     |         |
|-------|------|----|----|--------------|--------------|-----|--------------|------------|---------|-----|---------|
| Model | Year | MG | SG | Illustration | Restrictions | UPD | 18:23        | 30.01.2010 | PORSCHE | PET | PORSCHE |
| 914   | 1976 | 8  | 01 | 801-15       |              | 248 | USA / CANADA |            |         |     |         |

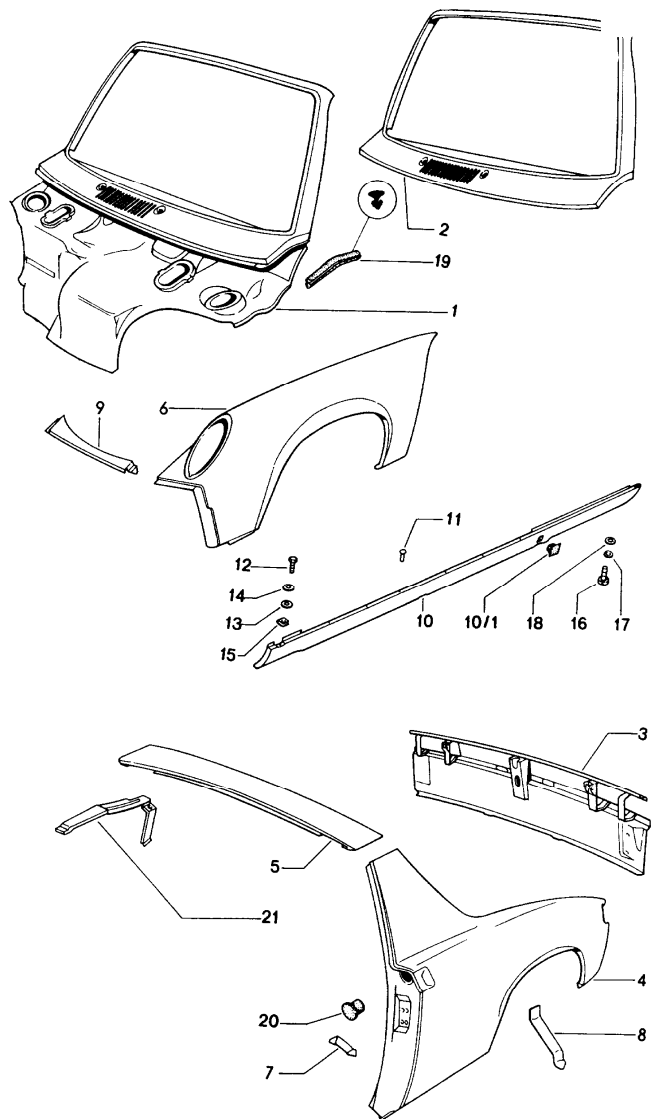


| Pos | Part Number    | Description   | Remark   | Qty | Model                   |
|-----|----------------|---|----------|-----|-------------------------|
|     |                | interior panelling  |          |     |                         |
| 1   | 914 501 901 10 | frame front part  | /V -71   | 1   | 914-6/4                 |
| 1   | 914 501 901 11 | frame front part  | /V 72-74 | 1   |                         |
| 1   | 914 501 901 13 | frame front part  | 75-      | 1   | 914-1,8/2,0             |
| 2   | 914 501 033 10 | wheel housing   | /L/V     | 1   |                         |
| (2) | 914 501 034 10 | wheel housing   | /R/V     | 1   |                         |
| (3) | 914 502 031 12 | cross panel   | /V -74   | 1   |                         |
| (3) | 914 502 031 13 | cross panel<br>POS. 3<br>see technical information<br>NR 13. GR 8 | /V 75-   | 1   | 914-1,8/2,0             |
| 3/1 | 914 502 919 10 | spacer<br>for<br>cross panel<br>914.502.031.12                    |          | 2   | 914-1,7/1,8<br>914-2,0  |
| 4   | 914 501 051 10 | cross panel<br>for<br>shock absorber<br>front                     | -74      | 1   |                         |
| (4) | 914 501 051 11 | cross panel<br>for<br>shock absorber<br>front                     | 75-      | 1   | 914-1,8V/1,8<br>914-2,0 |
| (5) | 914 502 041 11 | cover plate<br>for<br>pop-up headlight                            | /L       | 1   |                         |
| (5) | 914 502 042 11 | cover plate<br>for<br>pop-up headlight                            | /R       | 1   |                         |
| 6   | 914 502 429 10 | water drain tube<br>for<br>pop-up headlight                       |          | 2   |                         |
| 6   | 914 502 429 11 | water drain tube<br>for<br>water drain tube                       |          | 2   |                         |
| 7   | 914 501 903 10 | hinge pillar  | /L       | 1   |                         |
| (7) | 914 501 904 10 | hinge pillar  | /R       | 1   |                         |
| 8   | 914 502 425 10 | stop<br>corner piece  | /V       | 2   |                         |

|       |      |    |    |              |              |     |              |            |         |     |         |
|-------|------|----|----|--------------|--------------|-----|--------------|------------|---------|-----|---------|
| Model | Year | MG | SG | Illustration | Restrictions | UPD | 18:23        | 30.01.2010 | PORSCHE | PET | PORSCHE |
| 914   | 1976 | 8  | 01 | 801-15       |              | 248 | USA / CANADA |            |         |     |         |

| Pos  | Part Number    | Description   | Remark | Qty | Model                                | Pos  | Part Number    | Description   | Remark | Qty | Model |
|------|----------------|---|--------|-----|--------------------------------------|------|----------------|---|--------|-----|-------|
| 9    | 914 501 162 10 | reinforcement for stabiliser mounting   |        | 2   | 914-1,7/1,8V<br>914-1,8/2,0          | (14) | 914 502 036 10 | reinforcement for roll bar                          | /R     | 1   |       |
| 10   | 914 502 011 10 | rear wall upper part  | -71    | 1   | 914-6/4                              | 15   | 914 502 033 10 | transverse strut inner panel for roll bar           |        | 1   |       |
| 10   | 914 502 011 11 | rear wall upper part  | 72-    | 1   |                                      | 16   | 914 502 243 10 | stop corner piece                                   | /L/H   | 1   |       |
| 11   | 914 501 823 10 | clamping piece  | /V     | 1   |                                      | (16) | 914 502 244 10 | stop corner piece                                   | /R/H   | 1   |       |
| 12   | 914 501 007 10 | rear wall   |        | 1   | 914-6                                | 17   | 914 501 030 10 | bracket for hinge pillar                            |        | 2   |       |
| (12) | 914 501 119 10 | rear wall lower part  | -71    | 1   | 914-4                                | 18   | 914 501 013 10 | side member outer                                   | /L     | 1   |       |
| (12) | 914 501 119 11 | rear wall lower part  | 72-    | 1   | 914-4                                | (18) | 914 501 014 10 | side member outer                                   | /R     | 1   |       |
| (12) | 914 501 119 14 | rear wall lower part  | -74    | 1   | 914-1,7/1,8V<br>914-1,8/2,0          | 19   | 914 501 089 10 | scuff plate for side member                         | /L     | 1   |       |
| (12) | 914 501 119 14 | rear wall lower part  | 75-    | 1   | 914-1,8V/1,8<br>914-2,0              | (19) | 914 501 090 10 | scuff plate for side member                         | /R     | 1   |       |
| 13   | 914 501 941 10 | wheel housing panel inner panel   | /L/H   | 1   | 914-4/1,7<br>914-1,8/1,8V<br>914-2,0 | 20   | 914 502 237 10 | guide tube for lid-release cable engine compartment |        | 1   |       |
| 13   | 914 501 941 11 | wheel housing panel inner panel<br>F 47329 10937>><br>for usa with baffle plate | /L/H   | 73- | 914-1,7/1,8V<br>914-2,0              | 21   | 914 511 231 10 | guide tube for lid-release cable front              |        | 1   |       |
| (13) | 914 501 943 10 | wheel housing panel inner panel   | /L/H   | 1   | 914-6                                | 22   | 914 501 587 10 | carrier plate for battery                           |        | 1   |       |
| (13) | 914 501 944 10 | wheel housing panel inner panel   | /R/H   | 1   |                                      | 23   | 914 501 073 10 | supporting plate                                    |        | 1   |       |
| (13) | 914 501 944 11 | wheel housing panel inner panel<br>F 47329 10937>><br>for usa with baffle plate | /R/H   | 73- | 914-1,7/1,8V<br>914-2,0              | 24   | 914 559 252 10 | stopper   |        | 9   |       |
| 14   | 914 502 035 10 | reinforcement for roll bar  | /L     | 1   |                                      | 25   | 914 501 151 10 | separator   |        | 2   |       |
|      |                |   |        |     |                                      | 26   | 914 501 153 10 | connecting piece                                    |        | 2   |       |

|       |      |    |    |              |              |     |              |            |         |     |         |
|-------|------|----|----|--------------|--------------|-----|--------------|------------|---------|-----|---------|
| Model | Year | MG | SG | Illustration | Restrictions | UPD | 18:23        | 30.01.2010 | PORSCHE | PET | PORSCHE |
| 914   | 1976 | 8  | 01 | 801-20       |              | 248 | USA / CANADA |            |         |     |         |

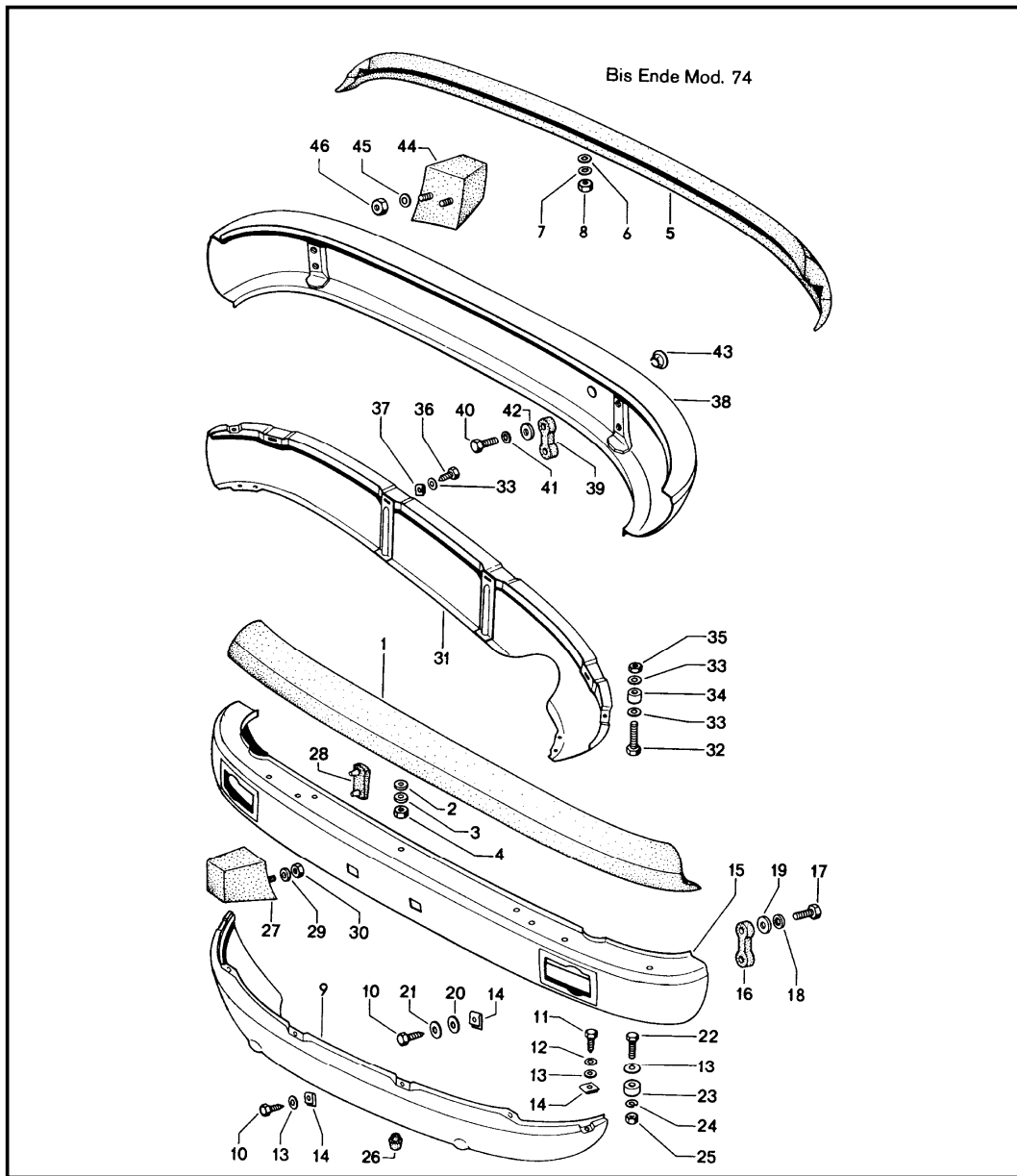


| Pos | Part Number    | Description   | Remark | Qty | Model       |
|-----|----------------|---|--------|-----|-------------|
|     |                | exterior panelling  |        |     |             |
| 1   | 914 503 901 10 | firewall with windscreen frame  | -71    | 1   | 914-6/4     |
| 1   | 914 501 195 10 | firewall with windscreen frame  | 72-    | 1   |             |
| 2   | 914 503 057 10 | cowl  |        | 1   |             |
| 3   | 914 503 065 11 | cross panel terminal piece  | /H -74 | 1   |             |
| 3   | 914 503 065 12 | cross panel terminal piece  | /H 75- | 1   | 914-1,8/2,0 |
| 4   | 914 503 903 11 | wing side section with lock pillar                                      | /L/H   | 1   |             |
| (4) | 914 503 904 11 | side section side section with lock pillar                              | /R/H   | 1   |             |
| -   | 914 503 907 00 | flared wheel arches   | /L/H   | 1   |             |
| -   | 914 503 908 00 | flared wheel arches   | /R/H   | 1   |             |
| 5   | 914 503 603 10 | roll bar exterior panelling upper                                       |        | 1   |             |
| (6) | 914 503 061 11 | wing with bore for direction indicator light lateral for (USA) (I) (DK) | /L/V   | 1   | 914-6/4/1,7 |
| (6) | 914 503 062 11 | wing with bore for direction indicator light lateral for (USA) (I) (DK) | /R/V   | 1   | 914-6/4/1,7 |
| -   | 914 503 905 00 | flared wheel arches   | /L/V   | 1   |             |
| -   | 914 503 906 00 | flared wheel arches   | /R/V   | 1   |             |

|       |      |    |    |              |              |     |              |            |         |     |         |
|-------|------|----|----|--------------|--------------|-----|--------------|------------|---------|-----|---------|
| Model | Year | MG | SG | Illustration | Restrictions | UPD | 18:23        | 30.01.2010 | PORSCHE | PET | PORSCHE |
| 914   | 1976 | 8  | 01 | 801-20       |              | 248 | USA / CANADA |            |         |     |         |

| Pos  | Part Number    | Description                                      | Remark | Qty | Model | Pos  | Part Number    | Description                        | Remark | Qty | Model                                |
|------|----------------|--|--------|-----|-------|------|----------------|------------------------------------|--------|-----|--------------------------------------|
| 7    | 914 501 371 10 | bracket<br>front<br>for<br>wing<br>rear<br>left  |        | 1   |       | 16   | N 014 139 5    | pan-head screw<br>M 6 X12          |        | 6   |                                      |
| (7)  | 914 501 372 10 | bracket<br>front<br>for<br>wing<br>rear<br>right |        | 1   |       | 17   | N 011 524 7    | washer<br>6,4                      |        | 6   |                                      |
| 8    | 914 501 375 10 | bracket<br>rear<br>for<br>wing<br>rear<br>left   |        | 1   |       | 18   | 900 114 002 02 | shake-proof washer<br>J 6,4        |        | 6   |                                      |
| (8)  | 914 501 376 10 | bracket<br>rear<br>for<br>wing<br>rear<br>right  |        | 1   |       | 19   | 914 559 155 10 | pipng                              |        | 2   |                                      |
| 9    | 914 503 307 10 | cover<br>for<br>pop-up headlight                 | /L     | 1   |       | 20   | 914 555 043 10 | cover<br><br>TYP 914-6             | 72-    | 2   | 914-4/1,7<br>914-1,8/1,8V<br>914-2,0 |
| (9)  | 914 503 308 10 | cover<br>for<br>pop-up headlight                 | /R     | 1   |       | 21   | 914 503 044 10 | cover<br>for<br>engine compartment | /R     | 1   |                                      |
| -    | 914 750 197 10 | stopper  |        | 6   |       | (21) | 914 503 043 10 | cover<br>for<br>engine compartment | /L     | 1   |                                      |
| 10   | 914 503 125 10 | sill cover                                       | /L     | 1   |       |      |                |                                    |        |     |                                      |
| (10) | 914 503 126 10 | sill cover                                       | /R     | 1   |       |      |                |                                    |        |     |                                      |
| 10/1 | 914 559 267 10 | stopper  |        | 2   |       |      |                |                                    |        |     |                                      |
| 11   | 999 591 550 40 | expansion rivet                                  |        | 12  |       |      |                |                                    |        |     |                                      |
| 12   | 900 187 017 02 | tapping screw<br>BZ 4,2 X 19                     |        | 4   |       |      |                |                                    |        |     |                                      |
| 13   | 914 559 127 10 | spacer   |        | 4   |       |      |                |                                    |        |     |                                      |
| 14   | 900 025 002 02 | washer<br>A 4,3                                  |        | 4   |       |      |                |                                    |        |     |                                      |
| 15   | 999 507 229 00 | speed nut  |        | 4   |       |      |                |                                    |        |     |                                      |

|       |      |    |    |              |              |     |              |            |         |     |         |
|-------|------|----|----|--------------|--------------|-----|--------------|------------|---------|-----|---------|
| Model | Year | MG | SG | Illustration | Restrictions | UPD | 18:24        | 30.01.2010 | PORSCHE | PET | PORSCHE |
| 914   | 1976 | 8  | 02 | 802-00       |              | 248 | USA / CANADA |            |         |     |         |



| Pos | Part Number    | Description   | Remark | Qty | Model                                |
|-----|----------------|---|--------|-----|--------------------------------------|
|     |                | bumper front and rear   | -74    |     |                                      |
| 1   | 914 503 023 10 | protective moulding   | /V     | 1   |                                      |
| 1   | 914 503 023 11 | protective moulding for cars with headlight washer system (S) | /V     | 74- | 914-1,8V/1,8<br>914-2,0              |
| 2   | 914 559 116 10 | rubber base   |        | 5   |                                      |
| 3   | 900 151 006 09 | washer A 6,4  |        | 5   |                                      |
| 4   | 900 076 010 02 | hexagon nut M 6   |        | 5   |                                      |
| 5   | 914 503 027 10 | protective moulding   | /H     | 1   |                                      |
| 6   | 914 559 116 10 | rubber base   |        | 5   |                                      |
| 7   | 900 151 006 09 | washer A 6,4  |        | 5   |                                      |
| 8   | 900 076 010 02 | hexagon nut M 6   |        | 5   |                                      |
| 9   | 914 503 121 10 | front apron   |        | 1   |                                      |
| (9) | 914 503 235 10 | front spoiler   |        | 1   | 914-4/1,7<br>914-1,8/1,8V<br>914-2,0 |
| -   | 914 503 237 10 | support panel for front spoiler                               | /L M   | 1   | 914-4/1,7<br>914-1,8/1,8V<br>914-2,0 |
| -   | 914 503 238 10 | support panel for front spoiler                               | /R     | 1   | 914-4/1,7<br>914-1,8/1,8V<br>914-2,0 |
| -   | N 010 264 4    | hexagon-head bolt M 5 X 22                                    |        | 2   | 914-4/1,7<br>914-1,8/1,8V<br>914-2,0 |
| -   | 914 503 239 10 | screw for front spoiler mount                                 |        | 2   | 914-4/1,7<br>914-1,8/1,8V<br>914-2,0 |
| -   | N 012 006 4    | lock ring 6   |        | 2   | 914-4/1,7<br>914-1,8/1,8V<br>914-2,0 |

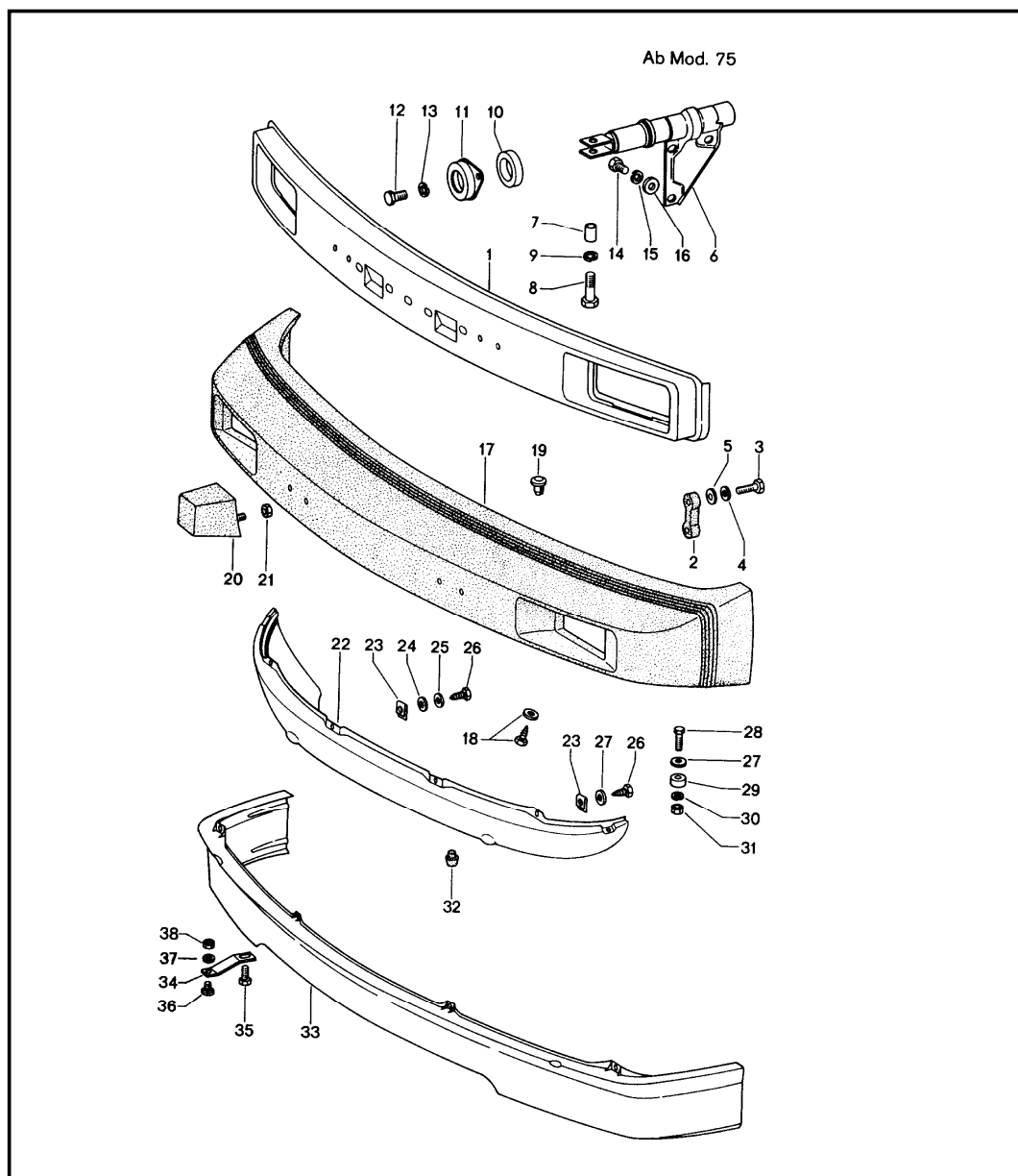
|       |      |    |    |              |              |     |              |            |         |     |         |
|-------|------|----|----|--------------|--------------|-----|--------------|------------|---------|-----|---------|
| Model | Year | MG | SG | Illustration | Restrictions | UPD | 18:24        | 30.01.2010 | PORSCHE | PET | PORSCHE |
| 914   | 1976 | 8  | 02 | 802-00       |              | 248 | USA / CANADA |            |         |     |         |

| Pos  | Part Number    | Description   | Remark | Qty | Model                                | Pos  | Part Number    | Description                   | Remark | Qty | Model                  |
|------|----------------|---|--------|-----|--------------------------------------|------|----------------|-------------------------------|--------|-----|------------------------|
| -    | 900 076 010 02 | hexagon nut<br>M 6  |        | 2   | 914-4/1,7<br>914-1,8/1,8V<br>914-2,0 | 19   | 900 151 008 02 | washer<br>B 8,4               |        | 4   |                        |
| -    | 999 507 024 02 | speed nut<br>4,8  |        | 4   | 914-4/1,7<br>914-1,8/1,8V<br>914-2,0 | 20   | 999 151 027 50 | sealing washer                | 72-    | 2   |                        |
| 10   | 900 187 018 02 | hexagon-head tapping screw<br>B 4,8 X 16                                  |        | 4   |                                      | 21   | 999 151 026 02 | washer                        | 72-    | 2   |                        |
| 11   | 900 187 024 02 | hexagon-head tapping screw<br>BZ 4,8X 19                                  | -71    | 1   | 914-6                                | 22   | N 010 264 4    | hexagon-head bolt<br>M 5 X 20 | 72-    | 2   |                        |
| 11   | 900 187 024 02 | hexagon-head tapping screw<br>BZ 4,8 X 19                                 | -71    | 2   | 914-4                                | 23   | 914 559 127 11 | spacer                        | 72-    | 2   |                        |
| 12   | 914 559 127 10 | spacer  | -71    | 2   | 914-6/4                              | 24   | N 012 005 3    | lock ring<br>B 5              | 72-    | 2   |                        |
| 13   | 900 151 027 02 | washer<br>B 5,3   | -71    | 6   | 914-6/4                              | 25   | 900 076 027 02 | hexagon nut<br>M 5            | 72-    | 2   |                        |
| 14   | 999 507 015 02 | speed nut   |        | 6   |                                      | 26   | 914 559 253 10 | buffer                        | 72-    | 2   |                        |
| 15   | 914 505 009 10 | bumper<br>chrome  | /V     | 1   |                                      | (27) | 914 505 063 10 | bumper horn                   | /L/V   | 1   | 914-1,7/1,8<br>914-2,0 |
| 15   | 914 505 010 10 | bumper<br>prime coated  | /V     | 1   |                                      | 27   | 914 505 064 10 | bumper horn                   | /R/V   | 1   | 914-1,7/1,8<br>914-2,0 |
| 15   | 914 505 084 10 | bumper<br>chrome  | /V     | 73- | 1                                    | 28   | 914 505 107 10 | desk pad                      |        | 2   | 914-1,7/1,8            |
| 15   | 914 505 083 10 | bumper<br>prime coated  | /V     | 73- | 1                                    | 29   | 900 025 007 02 | washer<br>A 8,4               |        | 4   | 914-1,7/1,8<br>914-2,0 |
| (15) | 914 505 009 11 | bumper<br>chrome<br>for cars with<br>headlight washer system<br>(S)       | /V     | 74- | 1                                    | 30   | 900 076 025 02 | hexagon nut<br>M 8            |        | 4   | 914-1,7/1,8<br>914-2,0 |
| (15) | 914 505 010 12 | bumper<br>prime coated<br>for cars with<br>headlight washer system<br>(S) | /V     | 74- | 1                                    | 31   | 914 503 009 10 | rear apron                    |        | 1   |                        |
| 16   | 914 505 027 10 | desk pad  |        | 2   |                                      |      | GRV            | prime coated                  |        |     |                        |
| 17   | N 010 340 4    | hexagon-head bolt<br>M 8 X 40   |        | 4   |                                      | 32   | N 010 264 4    | hexagon-head bolt<br>M 5 X 20 |        | 2   |                        |
| 18   | 900 114 021 01 | shake-proof washer<br>J 8,2   |        | 4   |                                      | 33   | 900 151 027 02 | washer<br>5,3                 |        | 6   |                        |
|      |                |   |        |     |                                      | 34   | 914 559 127 11 | spacer                        |        | 2   |                        |
|      |                |   |        |     |                                      | 35   | 900 076 027 02 | hexagon nut<br>M 5            |        | 2   |                        |
|      |                |   |        |     |                                      | 36   | N 013 884 5    | tapping screw<br>B 4,2 X 13   |        | 4   |                        |
|      |                |   |        |     |                                      | 37   | 999 507 015 02 | speed nut                     |        | 4   |                        |
|      |                |   |        |     |                                      | 38   | 914 505 019 10 | bumper<br>chrome              | /H     | 1   |                        |

|       |      |    |    |              |              |     |              |            |         |     |         |
|-------|------|----|----|--------------|--------------|-----|--------------|------------|---------|-----|---------|
| Model | Year | MG | SG | Illustration | Restrictions | UPD | 18:24        | 30.01.2010 | PORSCHE | PET | PORSCHE |
| 914   | 1976 | 8  | 02 | 802-00       |              | 248 | USA / CANADA |            |         |     |         |

| Pos  | Part Number    | Description                            | Remark   | Qty | Model                                | Pos | Part Number | Description | Remark | Qty | Model |
|------|----------------|--|----------|-----|--------------------------------------|-----|-------------|-------------|--------|-----|-------|
| 38   | 914 505 020 10 | bumper<br>prime coated                 | /H       | 1   |                                      |     |             |             |        |     |       |
| 38   | 914 505 092 10 | bumper<br>chrome                       | /H 74-   | 1   |                                      |     |             |             |        |     |       |
| 38   | 914 505 091 10 | bumper<br>prime coated                 | /H 74-   | 1   |                                      |     |             |             |        |     |       |
| 39   | 914 505 027 10 | desk pad                               |          | 2   |                                      |     |             |             |        |     |       |
| 40   | N 010 340 4    | hexagon-head bolt<br>M 8 X 40          |          | 4   |                                      |     |             |             |        |     |       |
| 41   | 900 114 021 01 | shake-proof washer<br>J 8,2            |          | 4   |                                      |     |             |             |        |     |       |
| 42   | 900 151 008 02 | washer<br>B 8,4                        |          | 4   |                                      |     |             |             |        |     |       |
| 43   | PCG 722 107 10 | stopper<br>black<br>for<br>towing lug  |          | 1   | 914-4/1,7<br>914-1,8/1,8V<br>914-2,0 |     |             |             |        |     |       |
| 43   | 914 722 109 10 | stopper<br>chrome<br>for<br>towing lug | /H       | 1   | 914-6                                |     |             |             |        |     |       |
| 43   | 914 722 109 10 | stopper<br>chrome<br>for<br>towing lug | /H M     | 1   |                                      |     |             |             |        |     |       |
| (44) | 914 505 085 10 | bumper horn                            | /L/H 74- | 1   | 914-1,8/2,0                          |     |             |             |        |     |       |
| 44   | 914 505 086 10 | bumper horn                            | /R/H 74- | 1   | 914-1,8/2,0                          |     |             |             |        |     |       |
| 45   | 900 025 007 02 | washer<br>A 8,4                        |          | 4   | 914-1,8/2,0                          |     |             |             |        |     |       |
| 46   | 900 076 025 02 | hexagon nut<br>M 8                     |          | 4   | 914-1,8/2,0                          |     |             |             |        |     |       |

|       |      |    |    |              |              |     |              |            |         |     |         |
|-------|------|----|----|--------------|--------------|-----|--------------|------------|---------|-----|---------|
| Model | Year | MG | SG | Illustration | Restrictions | UPD | 18:24        | 30.01.2010 | PORSCHE | PET | PORSCHE |
| 914   | 1976 | 8  | 02 | 802-05       |              | 248 | USA / CANADA |            |         |     |         |



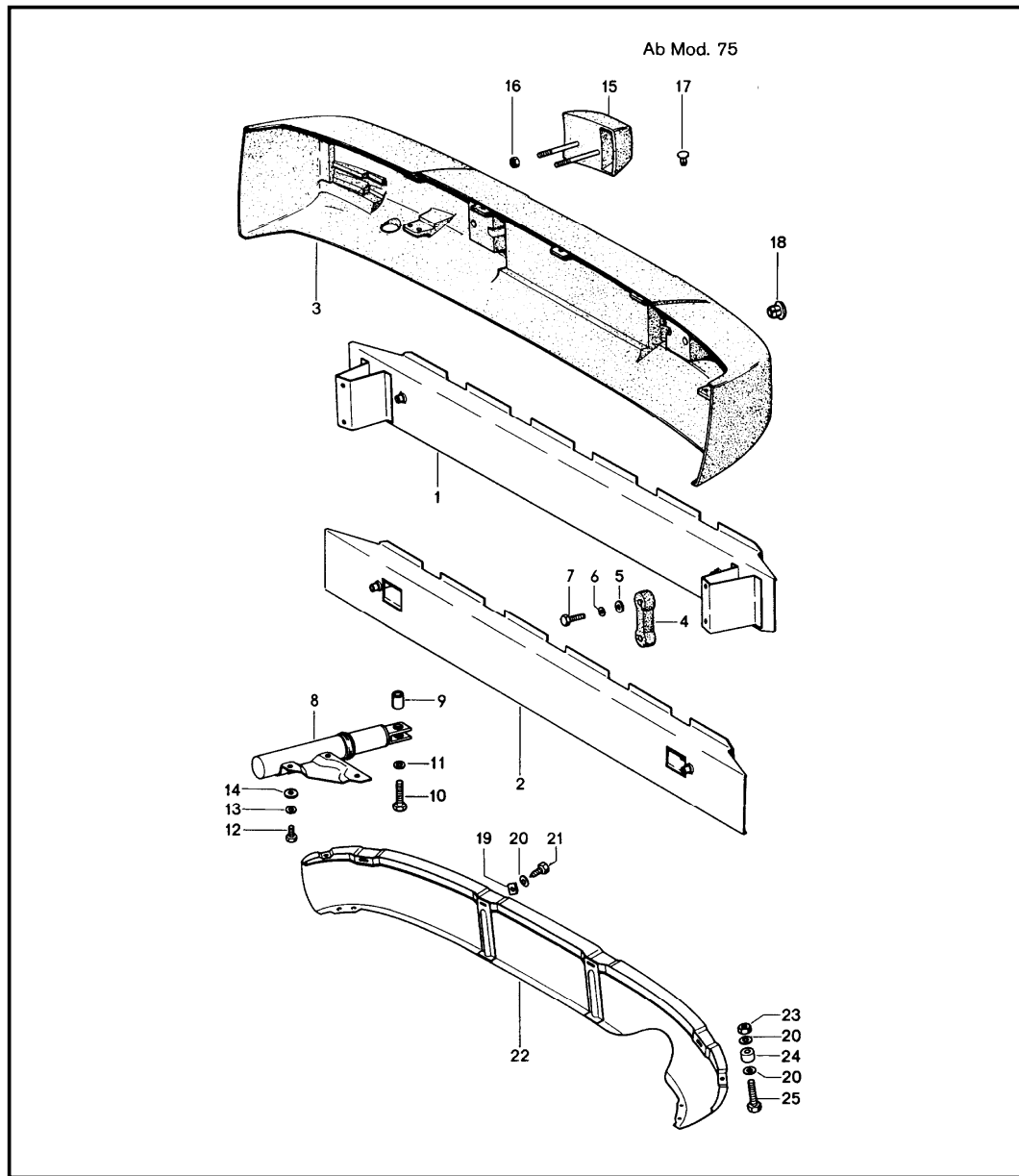
| Pos | Part Number    | Description                       | Remark | Qty | Model                   |
|-----|----------------|-----------------------------------|--------|-----|-------------------------|
|     |                |                                   | 75-    |     |                         |
| 1   | 914 505 096 10 | bumper front                      |        | 1   | 914-1,8V/2,0            |
|     |                | bracket for bumper                | /V     |     |                         |
| (1) | 914 505 033 11 | bracket for bumper                | /V     | 1   | 914-1,8/2,0             |
| 2   | 914 505 027 10 | desk pad                          |        | 2   | 914-1,8V/2,0            |
| 3   | N 010 340 6    | hexagon-head bolt M 8 X 40        |        | 4   | 914-1,8V/2,0            |
| 4   | 900 115 013 01 | serrated lock washer 8            |        | 4   | 914-1,8V/2,0            |
| 5   | 900 151 008 02 | washer 8                          |        | 4   | 914-1,8V/2,0            |
| (6) | 914 505 115 11 | impact absorber                   | /L     | 1   | 914-1,8/2,0             |
| 6   | 914 505 116 11 | impact absorber                   | /R     | 1   | 914-1,8/2,0             |
| 7   | 133 807 173    | spacer tube                       |        | 2   | 914-1,8/2,0             |
| 8   | N 010 154 4    | hexagon-head bolt M 12 X 1,5 X 55 |        | 2   | 914-1,8/2,0             |
| 9   | 900 027 017 02 | lock ring B 12                    |        | 2   | 914-1,8/2,0             |
| 10  | 914 505 281 10 | rubber mounting                   |        | 2   | 914-1,8/2,0             |
| 11  | 914 505 283 10 | support for rubber mounting       |        | 2   | 914-1,8/2,0             |
| 12  | 900 075 078 02 | hexagon-head bolt M 8 X 15        |        | 4   | 914-1,8/2,0             |
| 13  | 900 027 015 02 | lock ring B 8                     |        | 4   | 914-1,8/2,0             |
| 14  | N 010 251 2    | hexagon-head bolt 10 X 18         |        | 6   | 914-1,8/2,0             |
| 15  | 900 027 016 02 | lock ring B 10                    |        | 6   | 914-1,8/2,0             |
| 16  | 900 025 008 02 | washer 10                         |        | 6   | 914-1,8/2,0             |
| 17  | 914 503 231 12 | base                              |        | 1   | 914-1,8V/1,8<br>914-2,0 |



|       |      |    |    |              |              |     |              |            |         |     |         |
|-------|------|----|----|--------------|--------------|-----|--------------|------------|---------|-----|---------|
| Model | Year | MG | SG | Illustration | Restrictions | UPD | 18:24        | 30.01.2010 | PORSCHE | PET | PORSCHE |
| 914   | 1976 | 8  | 02 | 802-05       |              | 248 | USA / CANADA |            |         |     |         |

| Pos  | Part Number    | Description                              | Remark | Qty | Model                   | Pos | Part Number    | Description                   | Remark | Qty | Model                   |
|------|----------------|--|--------|-----|-------------------------|-----|----------------|-------------------------------|--------|-----|-------------------------|
| 18   | N 013 888 2    | tapping screw<br>with<br>washer          |        | 4   | 914-1,8V/1,8<br>914-2,0 | 35  | N 010 264 4    | hexagon-head bolt<br>M 5 X 22 |        | 2   | 914-1,8V/1,8<br>914-2,0 |
| 19   | 999 703 124 40 | stopper                                  |        | 2   | 914-1,8V/1,8<br>914-2,0 | 36  | 914 503 239 10 | screw                         |        | 2   | 914-1,8V/1,8<br>914-2,0 |
| 20   | 914 505 189 10 | bumper horn<br>(CALIFORNIA+MARYLAND)     | /L     | 1   | 914-1,8/2,0             | 37  | N 012 006 4    | lock ring<br>B 6              |        | 2   | 914-1,8V/1,8<br>914-2,0 |
| (20) | 914 505 190 10 | bumper horn<br>(CALIFORNIA+MARYLAND)     | /R     | 1   | 914-1,8/2,0             | 38  | 900 076 010 02 | hexagon nut<br>M6             |        | 2   | 914-1,8V/1,8<br>914-2,0 |
| 21   | 900 910 022 09 | lock nut<br>M 8                          |        | 4   | 914-1,8/2,0             |     |                |                               |        |     |                         |
| 22   | 914 503 121 10 | front apron                              |        | 1   | 914-1,8V/1,8<br>914-2,0 |     |                |                               |        |     |                         |
| 23   | 999 507 015 02 | speed nut                                |        | 4   | 914-1,8V/1,8<br>914-2,0 |     |                |                               |        |     |                         |
| 24   | 999 151 027 50 | sealing washer                           |        | 2   | 914-1,8V/1,8<br>914-2,0 |     |                |                               |        |     |                         |
| 25   | 999 151 026 02 | washer                                   |        | 2   | 914-1,8V/1,8<br>914-2,0 |     |                |                               |        |     |                         |
| 26   | 900 187 018 02 | hexagon-head tapping screw<br>B 4,8 X 16 |        | 4   | 914-1,8V/1,8<br>914-2,0 |     |                |                               |        |     |                         |
| 27   | 900 151 027 02 | washer<br>B 5,3                          |        | 6   | 914-1,8V/1,8<br>914-2,0 |     |                |                               |        |     |                         |
| 28   | N 010 264 4    | hexagon-head bolt<br>M 5 X 20            |        | 2   | 914-1,8V/1,8<br>914-2,0 |     |                |                               |        |     |                         |
| 29   | 914 559 127 11 | spacer                                   |        | 2   | 914-1,8V/1,8<br>914-2,0 |     |                |                               |        |     |                         |
| 30   | N 012 005 3    | lock ring<br>B 5                         |        | 2   | 914-1,8V/1,8<br>914-2,0 |     |                |                               |        |     |                         |
| 31   | 900 076 027 02 | hexagon nut<br>M 5                       |        | 2   | 914-1,8V/1,8<br>914-2,0 |     |                |                               |        |     |                         |
| 32   | 914 559 253 10 | buffer                                   |        | 2   | 914-1,8V/1,8<br>914-2,0 |     |                |                               |        |     |                         |
| 33   | 914 503 235 10 | front spoiler                            |        | 1   | 914-1,8V/1,8<br>914-2,0 |     |                |                               |        |     |                         |
| 34   | 914 503 237 10 | support panel                            | /L M   | 1   | 914-1,8V/1,8<br>914-2,0 |     |                |                               |        |     |                         |
| (34) | 914 503 238 10 | support panel                            | /R M   | 1   | 914-1,8V/1,8<br>914-2,0 |     |                |                               |        |     |                         |

|       |      |    |    |              |              |     |              |            |         |     |         |
|-------|------|----|----|--------------|--------------|-----|--------------|------------|---------|-----|---------|
| Model | Year | MG | SG | Illustration | Restrictions | UPD | 18:24        | 30.01.2010 | PORSCHE | PET | PORSCHE |
| 914   | 1976 | 8  | 02 | 802-10       |              | 248 | USA / CANADA |            |         |     |         |

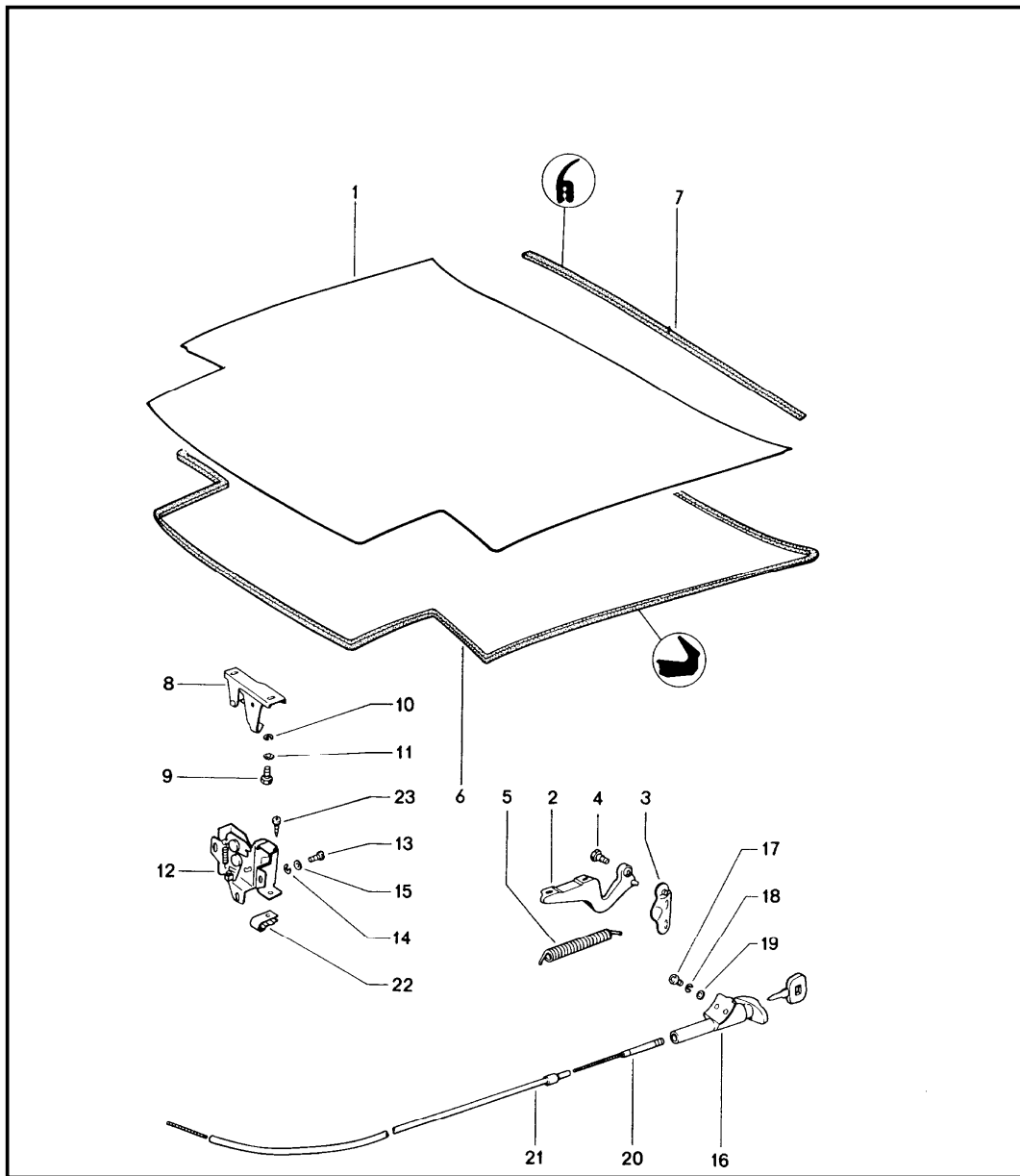


| Pos  | Part Number    | Description                       | Remark | Qty | Model                   |
|------|----------------|-----------------------------------|--------|-----|-------------------------|
|      |                |                                   | 75-    |     |                         |
| 1    | 914 505 093 10 | bumper rear<br>bracket for bumper | /H     | 1   | 914-1,8V/2,0            |
| 2    | 914 505 099 10 | bracket for bumper                | /H     | 1   | 914-1,8/2,0             |
| 3    | 914 503 233 10 | base                              | /H     | 1   | 914-1,8V/1,8<br>914-2,0 |
| 4    | 914 505 027 10 | desk pad                          |        | 2   | 914-1,8V/2,0            |
| 5    | 900 151 008 02 | washer 8                          |        | 4   | 914-1,8V/2,0            |
| 6    | 900 115 013 01 | serrated lock washer 8            |        | 4   | 914-1,8V/2,0            |
| 7    | N 010 340 6    | hexagon-head bolt M 8 X 40        |        | 4   | 914-1,8V/2,0            |
| 8    | 914 505 116 11 | impact absorber                   | /R     | 1   | 914-1,8/2,0             |
| (8)  | 914 505 115 11 | impact absorber                   | /L     | 1   | 914-1,8/2,0             |
| 9    | 133 807 173    | spacer tube                       |        | 2   | 914-1,8/2,0             |
| 10   | N 010 154 4    | hexagon-head bolt M 12 X 1,5 X 55 |        | 2   | 914-1,8/2,0             |
| 11   | 900 027 017 02 | lock ring B 12                    |        | 2   | 914-1,8/2,0             |
| 12   | N 010 251 2    | hexagon-head bolt M 10 X 18       |        | 6   | 914-1,8/2,0             |
| 13   | 900 027 016 02 | lock ring B 10                    |        | 6   | 914-1,8/2,0             |
| 14   | 900 025 008 02 | washer 10                         |        | 6   | 914-1,8/2,0             |
| 15   | 914 505 191 10 | bumper horn (CALIFORNIA+MARYLAND) | /L     | 1   | 914-1,8/2,0             |
| (15) | 914 505 192 10 | bumper horn (CALIFORNIA+MARYLAND) | /R     | 1   | 914-1,8/2,0             |
| 16   | 900 910 022 09 | lock nut M 8                      |        | 4   | 914-1,8/2,0             |
| 17   | 999 591 554 40 | plastic rivet                     |        | 7   | 914-1,8V/1,8<br>914-2,0 |

|       |      |    |    |              |              |     |              |            |         |     |         |
|-------|------|----|----|--------------|--------------|-----|--------------|------------|---------|-----|---------|
| Model | Year | MG | SG | Illustration | Restrictions | UPD | 18:24        | 30.01.2010 | PORSCHE | PET | PORSCHE |
| 914   | 1976 | 8  | 02 | 802-10       |              | 248 | USA / CANADA |            |         |     |         |

| Pos | Part Number    | Description                   | Remark | Qty | Model                   | Pos | Part Number | Description | Remark | Qty | Model |
|-----|----------------|-------------------------------|--------|-----|-------------------------|-----|-------------|-------------|--------|-----|-------|
| 18  | 914 722 107 11 | stopper<br>for<br>towing lug  |        | 1   | 914-1,8V/1,8<br>914-2,0 |     |             |             |        |     |       |
| 19  | 999 507 015 02 | speed nut                     |        | 4   | 914-1,8V/1,8<br>914-2,0 |     |             |             |        |     |       |
| 20  | 900 151 027 02 | washer<br>5,3                 |        | 8   | 914-1,8V/1,8<br>914-2,0 |     |             |             |        |     |       |
| 21  | N 013 884 5    | tapping screw<br>B 4,2 X 13   |        | 4   | 914-1,8V/1,8<br>914-2,0 |     |             |             |        |     |       |
| 22  | 914 503 009 10 | rear apron                    |        | 1   | 914-1,8V/1,8            |     |             |             |        |     |       |
|     | GRV            | prime coated                  |        |     | 914-2,0                 |     |             |             |        |     |       |
| 23  | 900 076 027 02 | hexagon nut<br>M 5            |        | 2   | 914-1,8V/1,8<br>914-2,0 |     |             |             |        |     |       |
| 24  | 914 559 127 11 | spacer                        |        | 2   | 914-1,8V/1,8<br>914-2,0 |     |             |             |        |     |       |
| 25  | N 010 264 4    | hexagon-head bolt<br>M 5 X 20 |        | 2   | 914-1,8V/1,8<br>914-2,0 |     |             |             |        |     |       |

|       |      |    |    |              |              |     |              |            |         |     |         |
|-------|------|----|----|--------------|--------------|-----|--------------|------------|---------|-----|---------|
| Model | Year | MG | SG | Illustration | Restrictions | UPD | 18:24        | 30.01.2010 | PORSCHE | PET | PORSCHE |
| 914   | 1976 | 8  | 03 | 803-00       |              | 248 | USA / CANADA |            |         |     |         |

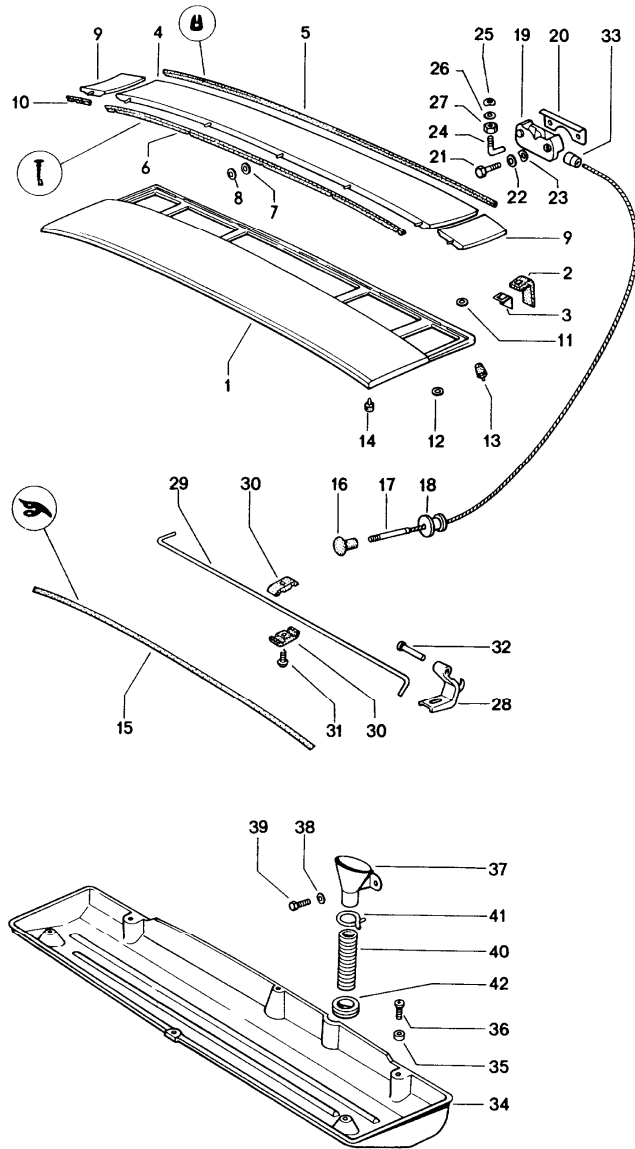


| Pos | Part Number    | Description                                       | Remark | Qty | Model                   |
|-----|----------------|---|--------|-----|-------------------------|
|     |                | lid front   |        |     |                         |
| 1   | 914 511 001 10 | lid   | /V     | 1   |                         |
| 2   | 914 511 035 10 | hinge   | /V/L   | 1   |                         |
| (2) | 914 511 036 10 | hinge   | /V/R   | 1   |                         |
| 3   | 914 511 037 10 | bracket   | /V/L   | 1   |                         |
| (3) | 914 511 038 10 | bracket   | /V/R   | 1   |                         |
| 4   | 914 512 191 10 | fit bolt  |        | 2   |                         |
| 5   | 914 511 163 10 | tension spring                                    | /V     | 2   |                         |
| 6   | 914 511 901 10 | sealing frame for luggage compartment cover front |        | 1   |                         |
| 7   | 914 511 902 10 | sealing frame for centre part                     |        | 1   |                         |
| 8   | 914 511 051 10 | lid lock upper part                               |        | 1   |                         |
| 9   | N 010 215 13   | hexagon-head bolt M 6 X 15                        | -74    | 2   |                         |
| 9   | 900 075 057 02 | hexagon-head bolt M 6 X 16                        | 75-    | 2   | 914-1,8V/1,8<br>914-2,0 |
| 10  | 900 027 014 01 | lock ring B 6                                     |        | 2   |                         |
| 11  | 900 151 006 09 | washer B 6,4                                      |        | 2   |                         |
| 12  | 914 511 052 10 | lid lock lower part                               |        | 1   |                         |
| 13  | N 014 761 2    | pan-head screw M 6 X 12                           |        | 3   |                         |
| 14  | N 012 007 2    | lock ring A 6                                     |        | 3   |                         |
| 15  | N 011 524 7    | washer 6,4  |        | 3   |                         |

|       |      |    |    |              |              |     |              |            |         |     |         |
|-------|------|----|----|--------------|--------------|-----|--------------|------------|---------|-----|---------|
| Model | Year | MG | SG | Illustration | Restrictions | UPD | 18:24        | 30.01.2010 | PORSCHE | PET | PORSCHE |
| 914   | 1976 | 8  | 03 | 803-00       |              | 248 | USA / CANADA |            |         |     |         |

| Pos | Part Number    | Description  | Remark | Qty | Model | Pos | Part Number | Description | Remark | Qty | Model |
|-----|----------------|--|--------|-----|-------|-----|-------------|-------------|--------|-----|-------|
| 16  | 911 511 903 00 | lock<br>with lock cylinder<br>and<br>with 2 secondary keys<br>w/o stipulated lock number |        | 1   |       |     |             |             |        |     |       |
| 16  | 911 511 904 00 | lock<br>with lock cylinder<br>and<br>with 2 secondary keys<br>state lock number          |        | 1   |       |     |             |             |        |     |       |
| -   | 999 703 036 50 | rubber stop  |        | 2   |       |     |             |             |        |     |       |
| -   | 914 531 903 11 | blank key<br>state lock number   |        | 2   |       |     |             |             |        |     |       |
| -   | 914 531 903 11 | blank key<br>for<br>secondary key  |        | 2   |       |     |             |             |        |     |       |
| 17  | 900 067 051 02 | pan-head screw<br>M 5 X 10   |        | 2   |       |     |             |             |        |     |       |
| 18  | 900 027 003 01 | lock ring<br>A 5   |        | 2   |       |     |             |             |        |     |       |
| 19  | 900 025 003 02 | washer<br>5,3  |        | 2   |       |     |             |             |        |     |       |
| 20  | 914 511 091 10 | wire pull  |        | 1   |       |     |             |             |        |     |       |
| 21  | 914 511 231 10 | guide tube   |        | 1   |       |     |             |             |        |     |       |
| 22  | 311 823 567    | clip<br>for<br>guide tube<br>lid lock  | /V     | 1   |       |     |             |             |        |     |       |
| 23  | N 013 968 7    | tapping screw<br>BZ 4,8 X 13   |        | 1   |       |     |             |             |        |     |       |

|       |      |    |    |              |              |     |              |            |         |     |         |
|-------|------|----|----|--------------|--------------|-----|--------------|------------|---------|-----|---------|
| Model | Year | MG | SG | Illustration | Restrictions | UPD | 18:24        | 30.01.2010 | PORSCHE | PET | PORSCHE |
| 914   | 1976 | 8  | 03 | 803-05       |              | 248 | USA / CANADA |            |         |     |         |

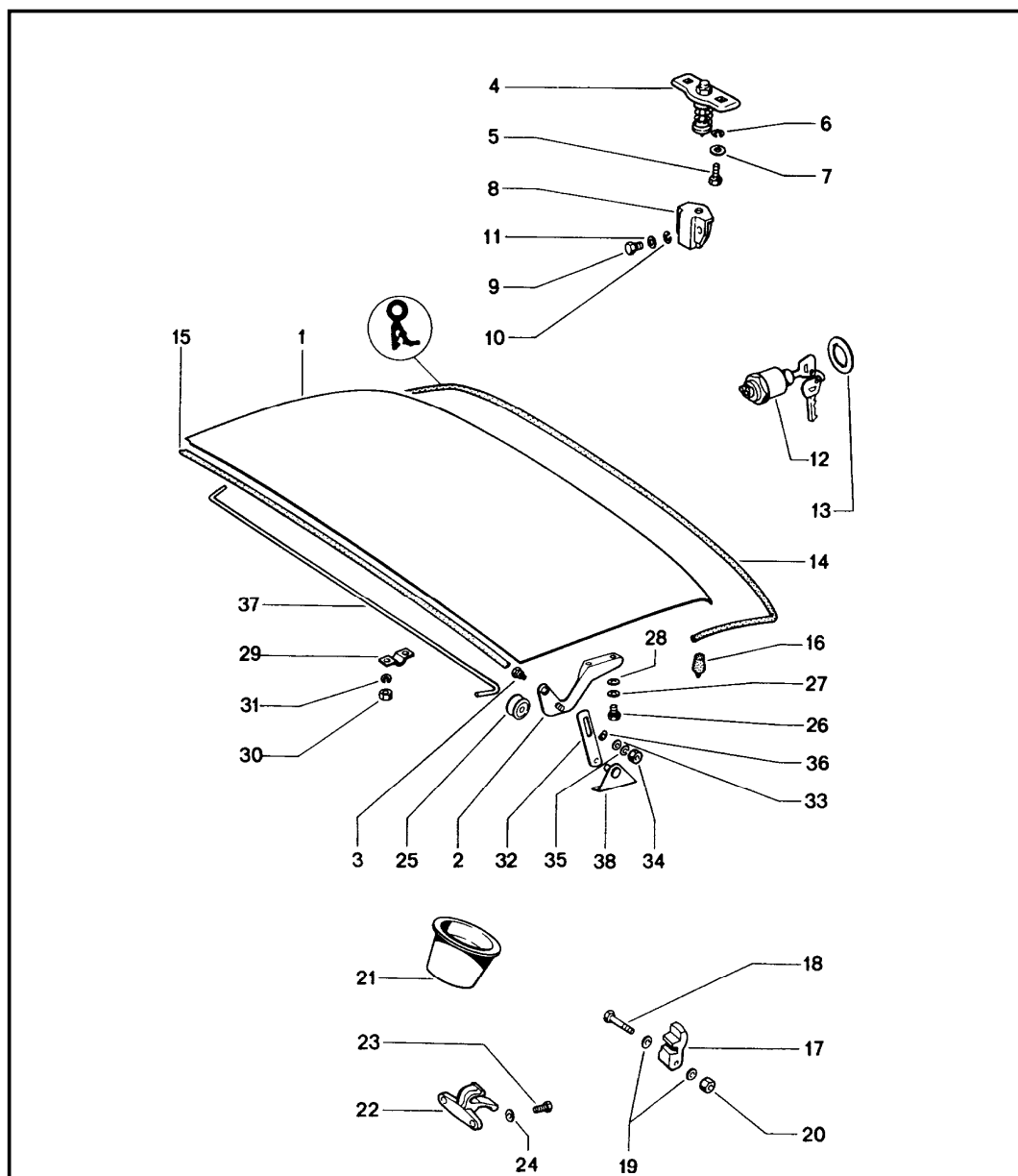


| Pos  | Part Number    | Description                                 | Remark | Qty | Model                  |
|------|----------------|---|--------|-----|------------------------|
|      |                | lid<br>engine compartment                   |        |     |                        |
| 1    | 914 512 022 10 | bonnet                                      |        | 1   |                        |
| 2    | 914 512 195 10 | rubber stop                                 | -73    | 1   | 914-6/4/1,7<br>914-2,0 |
| 3    | 914 512 325 10 | reinforcement bracket                       | -73    | 1   | 914-6/4/1,7<br>914-2,0 |
| 4    | 914 504 013 10 | grille<br>centre                            |        | 1   |                        |
| 5    | 914 504 111 10 | edge protection<br>centre                   |        | 1   |                        |
| 6    | 914 504 105 10 | piping                                      |        | 1   |                        |
| 7    | 999 025 060 40 | washer                                      |        | 7   |                        |
| 8    | 999 507 220 40 | cap<br>black                                |        | 12  |                        |
| (9)  | 914 504 011 10 | grille<br>lateral                           | /L     | 1   |                        |
| 9    | 914 504 012 10 | grille<br>lateral                           | /R     | 1   |                        |
| (10) | 914 504 107 10 | piping                                      | /L     | 1   |                        |
| 10   | 914 504 108 10 | piping                                      | /R     | 1   |                        |
| 11   | 999 025 060 40 | washer                                      |        | 4   |                        |
| 12   | 999 507 220 40 | cap<br>black                                |        | 6   |                        |
| 13   | 999 703 036 50 | rubber stop                                 |        | 2   |                        |
| 14   | 914 559 253 10 | buffer                                      |        | 2   |                        |
| 15   | 914 512 319 10 | seal<br>for<br>bonnet<br>and<br>rear window |        | 1   |                        |
| 16   | 901 552 813 20 | handle                                      |        | 1   |                        |
| 17   | 914 511 091 10 | wire pull                                   |        | 1   |                        |
| 18   | 914 512 177 10 | bush  |        | 1   |                        |
| 19   | 914 512 029 10 | lid lock                                    |        | 1   |                        |

|       |      |    |    |              |              |     |              |            |         |     |         |
|-------|------|----|----|--------------|--------------|-----|--------------|------------|---------|-----|---------|
| Model | Year | MG | SG | Illustration | Restrictions | UPD | 18:24        | 30.01.2010 | PORSCHE | PET | PORSCHE |
| 914   | 1976 | 8  | 03 | 803-05       |              | 248 | USA / CANADA |            |         |     |         |

| Pos  | Part Number    | Description                              | Remark | Qty | Model                                | Pos | Part Number    | Description                   | Remark | Qty | Model |
|------|----------------|--|--------|-----|--------------------------------------|-----|----------------|-------------------------------|--------|-----|-------|
| 20   | 914 512 159 10 | retainer plate                           |        | 1   |                                      | 34  | 914 512 189 10 | water drip pan<br>picture     |        | 1   |       |
| 21   | 900 074 015 02 | hexagon-head bolt<br>M 6 X 30            |        | 2   |                                      |     |                | 34 - 42<br>not for<br>914-6   |        |     |       |
| 22   | 900 151 006 09 | washer<br>A 6,4                          |        | 2   |                                      | 35  | 914 512 182 10 | bush                          |        | 2   |       |
| 23   | 900 028 003 01 | spring washer<br>A 6                     |        | 2   |                                      | 36  | N 014 142 3    | oval-head screw<br>AM 6 X 20  |        | 2   |       |
| 24   | 914 512 155 10 | hook                                     |        | 1   |                                      | 37  | 914 559 231 10 | funnel                        |        | 2   |       |
| 25   | N 012 241 1    | spring washer<br>B 8 X 15                |        | 1   |                                      | 38  | 900 027 014 01 | lock ring<br>B 6,4            |        | 2   |       |
| 26   | 900 025 007 02 | washer<br>8,4                            |        | 1   |                                      | 39  | 900 075 057 02 | hexagon-head bolt<br>M 6 X 16 |        | 2   |       |
| 27   | 900 076 025 02 | hexagon nut<br>M 8                       |        | 1   |                                      | 40  | PCG 571 900 00 | water drain hose              |        | 2   |       |
| 28   | 914 512 139 10 | hinge<br>for<br>bonnet                   | /L     | 1   |                                      | 41  | 999 512 165 02 | hose clamp                    |        | 2   |       |
| (28) | 914 512 140 10 | hinge<br>for<br>bonnet                   | /R     | 1   |                                      | 42  | 999 702 091 50 | rubber sleeve                 |        | 2   |       |
| 29   | 914 512 321 10 | torsion bar                              | /L     | 1   | 914-4/1,7<br>914-1,8/1,8V<br>914,2,0 |     |                |                               |        |     |       |
| (29) | 914 512 322 10 | torsion bar                              | /R     | 1   | 914-4/1,7<br>914-1,8/1,8V<br>914-2,0 |     |                |                               |        |     |       |
| (29) | 914 512 323 10 | torsion bar                              | /L     | 1   | 914-6                                |     |                |                               |        |     |       |
| (29) | 914 512 324 10 | torsion bar                              | /R     | 1   | 914-6                                |     |                |                               |        |     |       |
| 30   | 914 512 105 10 | bearing                                  |        | 2   |                                      |     |                |                               |        |     |       |
| -    | 900 076 010 02 | hexagon nut<br>M 6                       |        | 2   |                                      |     |                |                               |        |     |       |
| 31   | 900 145 016 01 | rais. counters. h. tap. s.<br>B 4,2 X 19 |        | 1   |                                      |     |                |                               |        |     |       |
| 32   | 900 224 009 00 | clinch pin<br>A 6H 9 X 48                |        | 2   |                                      |     |                |                               |        |     |       |
| 33   | 914 504 319 00 | grommet                                  |        | 1   |                                      |     |                |                               |        |     |       |

|       |      |    |    |              |              |     |              |            |         |     |         |
|-------|------|----|----|--------------|--------------|-----|--------------|------------|---------|-----|---------|
| Model | Year | MG | SG | Illustration | Restrictions | UPD | 18:24        | 30.01.2010 | PORSCHE | PET | PORSCHE |
| 914   | 1976 | 8  | 03 | 803-10       |              | 248 | USA / CANADA |            |         |     |         |



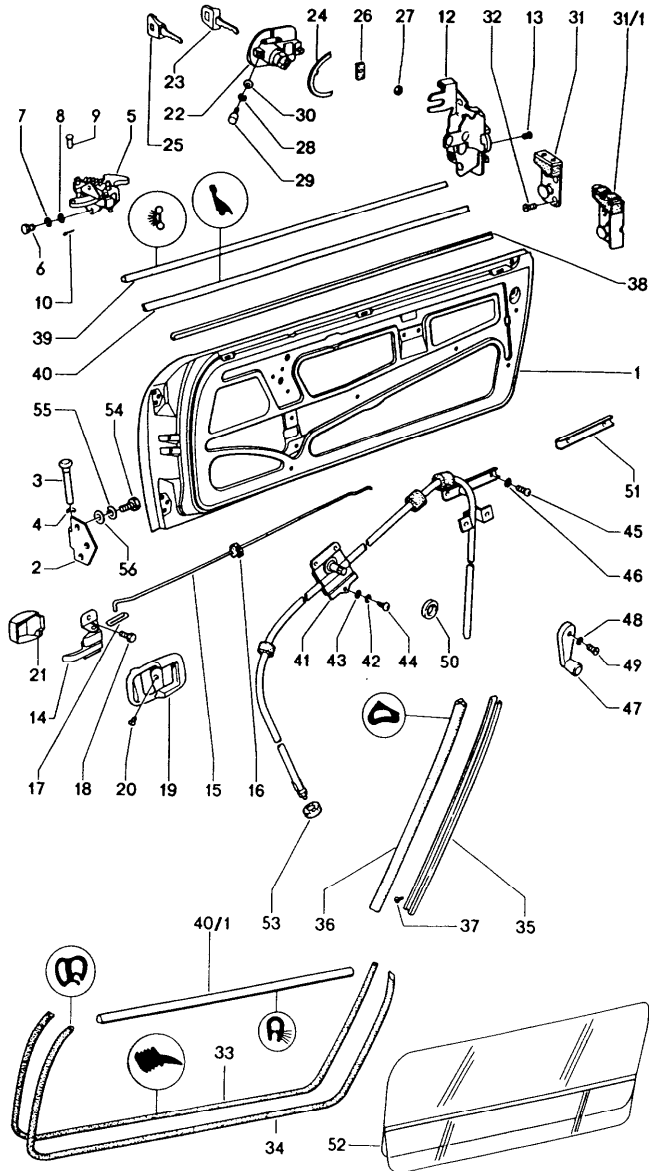
| Pos | Part Number    | Description   | Remark | Qty | Model |
|-----|----------------|---|--------|-----|-------|
|     |                | lid rear  |        |     |       |
| 1   | 914 512 001 10 | luggage compartment cover rear  |        | 1   |       |
| 2   | 914 512 059 10 | hinge   | /L     | 1   |       |
| (2) | 914 512 060 10 | hinge   | /R     | 1   |       |
| 3   | 914 512 191 10 | fit bolt  |        | 2   |       |
| 4   | 914 512 041 10 | lid lock upper part   |        | 1   |       |
| 5   | N 010 215 13   | hexagon-head bolt M 6 X 15  | -74    | 2   |       |
| 5   | 900 075 057 02 | hexagon-head bolt M 6 X 16  | 75-    | 2   |       |
| 6   | N 012 007 2    | lock ring A 6   |        | 2   |       |
| 7   | N 011 524 7    | washer 6,4  |        | 2   |       |
| 8   | 914 512 042 10 | lid lock lower part   |        | 1   |       |
| 9   | N 010 215 13   | hexagon-head bolt M 6 X 15  | -74    | 2   |       |
| 9   | 900 075 057 02 | hexagon-head bolt M 6 X 16  | 75-    | 2   |       |
| 10  | N 012 007 2    | lock ring A 6   |        | 2   |       |
| 11  | N 011 524 7    | washer 6,4  |        | 2   |       |
| 12  | 914 512 913 00 | push-button lock with lock cylinder and 2 main key w/o stipulated lock number |        | 1   |       |
| 12  | 914 512 914 00 | push-button lock with lock cylinder and 2 main key state lock number          |        | 1   |       |



|       |      |    |    |              |              |     |              |            |         |     |         |
|-------|------|----|----|--------------|--------------|-----|--------------|------------|---------|-----|---------|
| Model | Year | MG | SG | Illustration | Restrictions | UPD | 18:24        | 30.01.2010 | PORSCHE | PET | PORSCHE |
| 914   | 1976 | 8  | 03 | 803-10       |              | 248 | USA / CANADA |            |         |     |         |

| Pos  | Part Number    | Description   | Remark | Qty | Model                   | Pos  | Part Number    | Description         | Remark | Qty | Model |
|------|----------------|---|--------|-----|-------------------------|------|----------------|---------------------|--------|-----|-------|
| -    | 914 531 637 10 | main key<br>state lock number   |        | 2   |                         | 28   | 900 025 007 02 | washer<br>8,4       |        | 4   |       |
| -    | 914 531 903 10 | blank key<br>for<br>main key  |        | 2   |                         | 29   | 914 512 219 10 | clip                |        | 4   |       |
| 13   | 914 512 193 10 | desk pad  |        | 1   |                         | 30   | 900 076 010 02 | hexagon nut<br>M 6  |        | 8   |       |
| 14   | 914 512 317 10 | seal  | /H     | 1   |                         | 31   | 900 027 014 01 | lock ring<br>B 6    |        | 8   |       |
| 15   | 914 512 315 10 | seal<br>for<br>luggage compartment cover<br>and<br>engine compartment |        | 1   |                         | 32   | 914 512 215 10 | joint               |        | 2   |       |
| 16   | 999 703 036 50 | rubber stop   |        | 2   |                         | 33   | 900 151 008 02 | washer<br>B 8,4     |        | 4   |       |
| 17   | 914 559 015 10 | support<br>for<br>roof  | /L     | 1   |                         | 34   | 900 076 025 02 | hexagon nut<br>M 8  |        | 4   |       |
| (17) | 914 559 016 10 | support<br>for<br>roof  | /R     | 1   |                         | 35   | 900 027 015 02 | lock ring<br>B 8    |        | 4   |       |
| 18   | N 010 347 5    | hexagon-head bolt<br>M 6 X 35   |        | 2   |                         | 36   | 900 028 004 01 | spring washer<br>A8 |        | 2   |       |
| 19   | N 011 524 7    | washer<br>A 6,4   |        | 4   |                         | 37   | 914 512 227 10 | rotary slide        | /L     | 1   |       |
| 20   | 900 084 010 02 | hexagon nut<br>M 6  |        | 3   |                         | (37) | 914 512 228 10 | rotary slide        | /R     | 1   |       |
| 21   | 914 559 227 10 | cap   |        | 2   |                         | 38   | 914 501 569 10 | bearing             | /L     | 1   |       |
| 22   | 914 559 219 10 | bearing bracket   |        | 2   |                         | (38) | 914 501 570 10 | bearing             | /R     | 1   |       |
| 23   | 900 075 010 02 | hexagon-head bolt<br>M 6 X 12   |        | 4   |                         |      |                |                     |        |     |       |
| 24   | 900 151 006 09 | washer<br>A 6,4   |        | 4   |                         |      |                |                     |        |     |       |
| 25   | 914 512 263 11 | roller  |        | 2   |                         |      |                |                     |        |     |       |
| 25   | 914 512 263 11 | roller  |        | 2   | 914-1,8V/1,8<br>914-2,0 |      |                |                     |        |     |       |
| 26   | N 010 239 11   | hexagon-head bolt<br>M 8 X 18   |        | 4   |                         |      |                |                     |        |     |       |
| 27   | 900 027 015 02 | lock ring<br>B 8  |        | 4   |                         |      |                |                     |        |     |       |

|       |      |    |    |              |              |     |              |            |         |     |         |
|-------|------|----|----|--------------|--------------|-----|--------------|------------|---------|-----|---------|
| Model | Year | MG | SG | Illustration | Restrictions | UPD | 18:25        | 30.01.2010 | PORSCHE | PET | PORSCHE |
| 914   | 1976 | 8  | 04 | 804-00       |              | 248 | USA / CANADA |            |         |     |         |



| Pos  | Part Number    | Description                             | Remark | Qty | Model                       |
|------|----------------|---|--------|-----|-----------------------------|
|      |                | door with installation parts            |        |     |                             |
|      |                | differing parts see group 8/04/05       | 73-    |     |                             |
| (1)  | 914 531 167 10 | bare door shell                         | /L     | 1   | 914-1,7/1,8V<br>914-1,8/2,0 |
| 1    | 914 531 168 10 | bare door shell                         | /R     | 1   | 914-1,7/1,8V<br>914-1,8/2,0 |
| 2    | 914 531 303 10 | hinge half door                         |        | 4   |                             |
| 3    | 901 531 305 20 | pin for door hinge                      |        | 4   |                             |
| 4    | 311 831 443    | spring washer                           |        | 4   |                             |
| 5    | 914 531 037 10 | door support                            |        | 2   |                             |
| 6    | 900 075 010 02 | hexagon-head bolt M 6 X 12              |        | 4   |                             |
| 7    | N 011 524 7    | washer 6,4                              |        | 4   |                             |
| 8    | 900 027 014 01 | lock ring B 6                           |        | 4   |                             |
| 9    | 900 088 014 02 | bolt 6 H 11 X 16 X 12                   |        | 2   |                             |
| 10   | 900 021 002 02 | cotter pin 1,5 X 10                     |        | 2   |                             |
| 12   | 914 531 053 11 | door lock                               | /L     | -71 | 1 914-6/4                   |
| (12) | 914 531 053 11 | door lock                               | /L     | 72- | 1                           |
| (12) | 914 531 054 11 | push-button lock                        | /R     | -71 | 1 914-6/4                   |
| (12) | 914 531 054 11 | door lock                               | /R     | 72- | 1                           |
| 13   | 914 531 523 10 | rais. counters. h. tap. s. self-locking |        | 8   |                             |
| 14   | 411 837 071    | inner door release                      | /L     | 1   |                             |
| (14) | 411 837 072    | inner door release                      | /R     | 1   |                             |
| 15   | 914 531 515 10 | operating rod                           | /L     | 1   |                             |
| (15) | 914 531 516 10 | operating rod                           | /R     | 1   |                             |
| 16   | 911 531 565 00 | rubber mounting                         |        | 2   |                             |

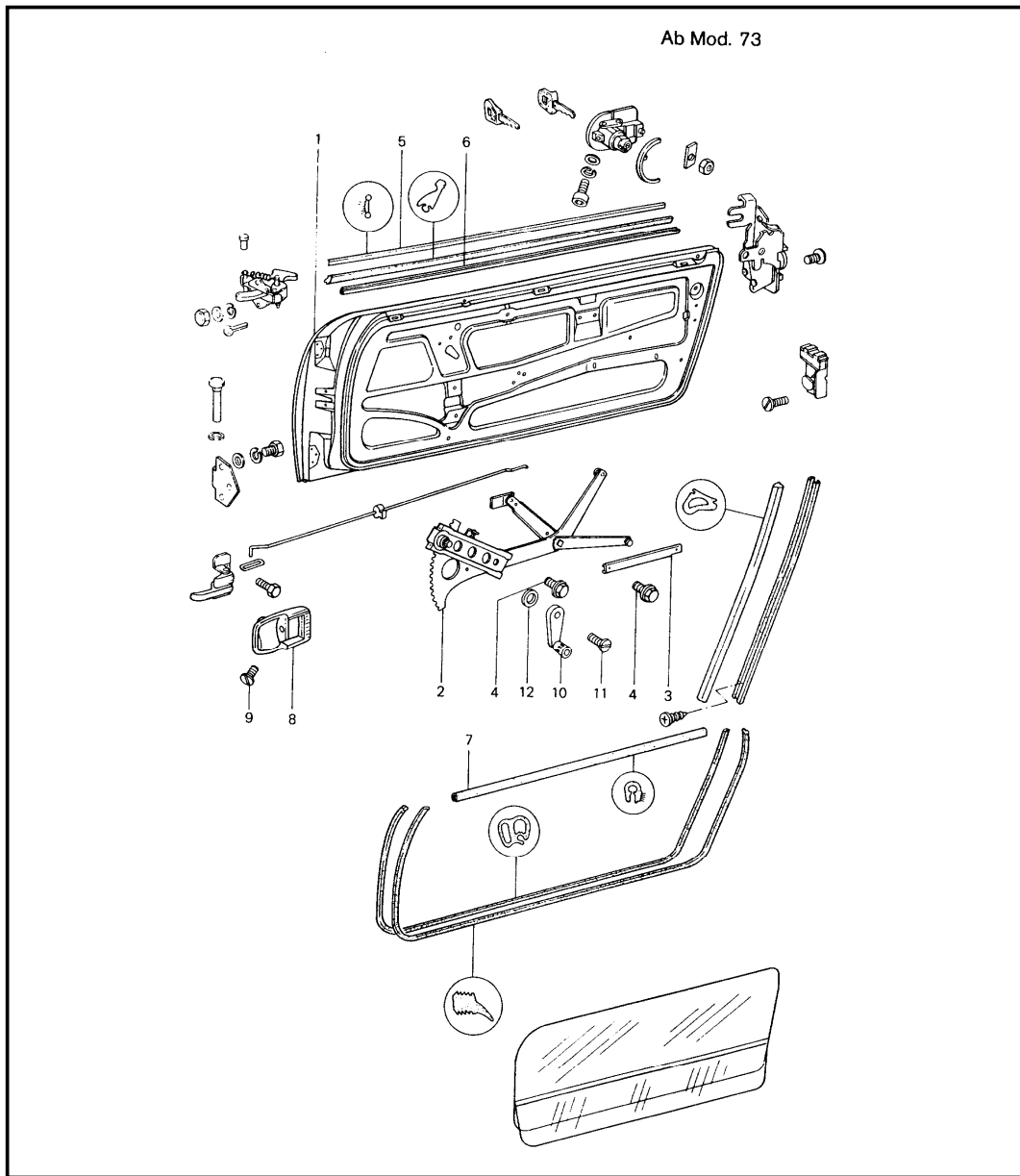
|       |      |    |    |              |              |     |              |            |         |     |         |
|-------|------|----|----|--------------|--------------|-----|--------------|------------|---------|-----|---------|
| Model | Year | MG | SG | Illustration | Restrictions | UPD | 18:25        | 30.01.2010 | PORSCHE | PET | PORSCHE |
| 914   | 1976 | 8  | 04 | 804-00       |              | 248 | USA / CANADA |            |         |     |         |

| Pos  | Part Number    | Description   | Remark | Qty | Model   | Pos  | Part Number    | Description                                | Remark | Qty        | Model                     |
|------|----------------|---|--------|-----|---------|------|----------------|--|--------|------------|---------------------------|
| 17   | 113 837 199    | spring<br>37,5 MM   |        | 4   |         | 28   | 900 027 014 01 | lock ring<br>B 6                           |        | 2          |                           |
| 18   | 900 075 010 02 | hexagon-head bolt<br>M 6 X 15   |        | 4   |         | 29   | N 014 750 3    | pan-head screw<br>M 6 X 10                 |        | 2          |                           |
| 19   | 411 837 097    | rosette   |        | 2   | 914-6/4 | 30   | N 011 524 7    | washer<br>6,4                              |        | 2          |                           |
| 20   | 900 147 004 02 | countersunk-head screw<br>AM 5 X 12   |        | 2   | 914-6/4 | 31   | 151 837 035 C  | closing element                            |        | 1          | ALLE                      |
| 21   | 411 837 095    | finger plate  |        | 2   | 914-6/4 | 31   | 111 837 035 D  | closing element                            | /L     | -71        | 1 914-6/4                 |
| 22   | 914 531 909 00 | outer door handle<br>with lock cylinder<br>and<br>with 2 secondary keys<br>state lock number          | /L     | 1   |         | 31/1 | 111 837 035 E  | closing element                            | /L     | 72-<br>-73 | 1 914-6/4/1,7<br>914-2,0  |
| (22) | 914 531 910 00 | outer door handle<br>with lock cylinder<br>and<br>with 2 secondary keys<br>state lock number          | /R     | 1   |         | (31) | 151 837 036 C  | closing element                            |        | 1          | ALLE                      |
|      |                |   |        |     |         | (31) | 111 837 036 D  | closing element                            | /R     | -71        | 1 914-6/4                 |
|      |                |   |        |     |         | 31/1 | 111 837 036 E  | closing element                            | /R     | 72-<br>-73 | 1 914-6/4/1,7<br>914-2,0  |
| 22   | 914 531 905 00 | outer door handle<br>with lock cylinder<br>and<br>with 2 secondary keys<br>w/o stipulated lock number | /L     | 1   |         | 31/1 | 151 837 036 C  | door lock striker                          | /R     | 74-        | 1 914-1,8V/1,8<br>914-2,0 |
| (22) | 914 531 906 00 | outer door handle<br>with lock cylinder<br>and<br>with 2 secondary keys<br>w/o stipulated lock number | /R     | 1   |         | 32   | 914 531 523 10 | rais. counters. h. tap. s.<br>self-locking |        | 2          |                           |
|      |                |   |        |     |         | 33   | 914 531 813 10 | door sealing<br>outer                      | /L     | 1          |                           |
|      |                |   |        |     |         | (33) | 914 531 814 10 | door sealing<br>outer                      | /R     | 1          |                           |
|      |                |   |        |     |         | 34   | 914 531 821 10 | door seal<br>inner                         | /L     | 1          |                           |
| 23   | 914 531 637 10 | main key<br>state lock number   |        | 2   |         | (34) | 914 531 822 10 | door seal<br>inner                         | /R     | 1          |                           |
| (23) | 914 531 903 10 | blank key<br>for<br>main key  |        | 2   |         | 35   | 914 531 827 10 | clamping piece<br>for<br>roll bar          | /L     | 1          |                           |
| 24   | 914 531 601 10 | desk pad  | /V     | 2   |         | (35) | 914 531 828 10 | clamping piece<br>for<br>roll bar          | /R     | 1          |                           |
| 25   | 914 531 639 10 | blank key<br>state lock number  |        | 2   |         | 36   | 914 531 143 10 | gasket<br>for<br>roll bar                  | /V/L   | -73        | 1 914-6/4/1,7<br>914-2,0  |
| (25) | 914 531 903 11 | blank key<br>for<br>secondary key   |        | 2   |         | (36) | 914 531 143 10 | gasket<br>for<br>roll bar                  | /V/L   | 74-        | 1 914-1,8V/1,8<br>914-2,0 |
| 26   | 914 531 603 10 | desk pad  | /H     | 2   |         |      |                |  |        |            |                           |
| 27   | 900 084 024 02 | hexagon nut<br>M 6  |        | 2   |         |      |                |  |        |            |                           |

|       |      |    |    |              |              |     |              |            |         |     |         |
|-------|------|----|----|--------------|--------------|-----|--------------|------------|---------|-----|---------|
| Model | Year | MG | SG | Illustration | Restrictions | UPD | 18:25        | 30.01.2010 | PORSCHE | PET | PORSCHE |
| 914   | 1976 | 8  | 04 | 804-00       |              | 248 | USA / CANADA |            |         |     |         |

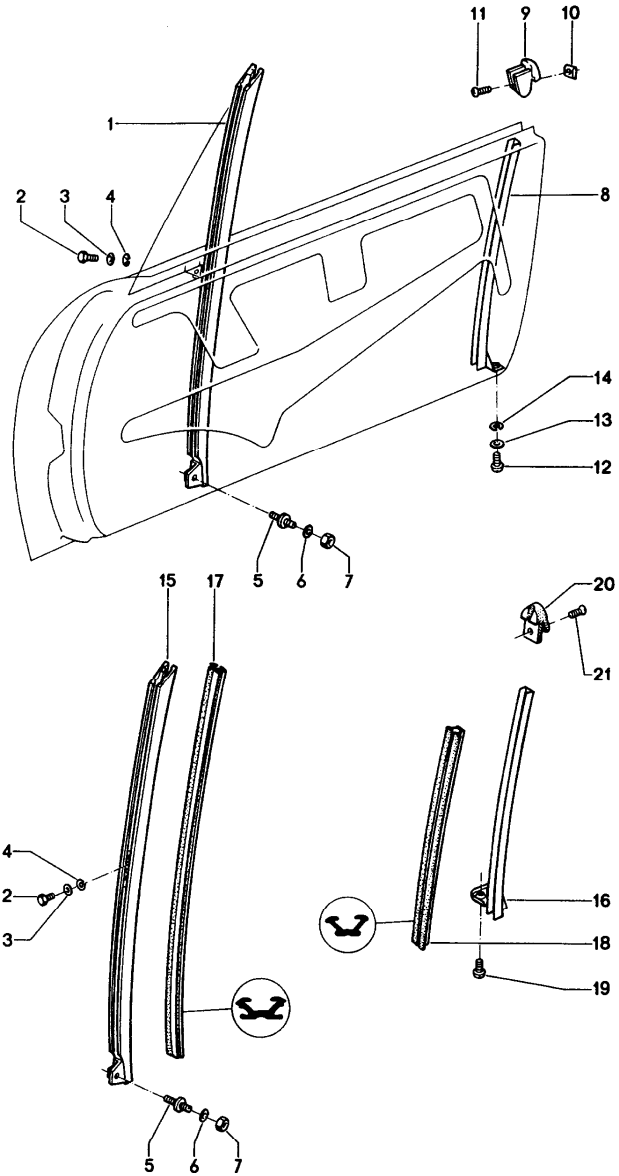
| Pos  | Part Number    | Description                              | Remark | Qty | Model | Pos                     | Part Number | Description    | Remark                   | Qty | Model |
|------|----------------|--|--------|-----|-------|-------------------------|-------------|----------------|--------------------------|-----|-------|
| (36) | 914 531 144 10 | gasket<br>for<br>roll bar                | /V/R   | -73 | 1     | 914-6/4/1,7<br>914-2,0  | 54          | 111 899 145    | hexagon-head bolt<br>M 8 | 6   |       |
| (36) | 914 531 144 10 | gasket<br>for<br>roll bar                | /V/R   | 74- | 1     | 914-1,8V/1,8<br>914-2,0 | 55          | 900 027 015 02 | lock ring<br>B 8         | 6   |       |
|      |                |  |        |     |       |                         | 56          | 900 025 034 02 | washer<br>A 8,4          | 6   |       |
| 37   | 900 144 009 00 | counters. head tapp. screw<br>2,9 X 13   |        |     | 18    |                         |             |                |                          |     |       |
| 38   | 914 531 951 10 | retaining strip                          |        |     | 2     | 914-6/4                 |             |                |                          |     |       |
| 39   | 914 531 957 10 | profile                                  |        |     | 2     |                         |             |                |                          |     |       |
| 40   | 914 531 873 10 | sealing rubber                           | /L     |     | 1     |                         |             |                |                          |     |       |
| (40) | 914 531 874 10 | sealing rubber                           | /R     |     | 1     |                         |             |                |                          |     |       |
| 40/1 | 914 531 937 10 | sealing for door slot                    |        |     | 2     | 914-6/4                 |             |                |                          |     |       |
| (41) | 914 542 041 10 | power windows                            | /L     |     | 1     | 914-6/4                 |             |                |                          |     |       |
| 41   | 914 542 042 10 | power windows                            | /R     |     | 1     | 914-6/4                 |             |                |                          |     |       |
| 42   | 900 025 028 02 | washer<br>6,4                            |        |     | 12    | 914-6/4                 |             |                |                          |     |       |
| 43   | 900 027 014 01 | lock ring<br>B 6                         |        |     | 12    | 914-6/4                 |             |                |                          |     |       |
| 44   | 900 143 024 02 | oval-head sheetmetal screw<br>B 5,5 X 16 |        |     | 12    | 914-6/4                 |             |                |                          |     |       |
| 45   | 900 146 044 02 | oval-head screw<br>AM 6 X 10             |        |     | 4     | 914-6/4                 |             |                |                          |     |       |
| 46   | 900 027 014 01 | lock ring<br>B 6                         |        |     | 4     | 914-6/4                 |             |                |                          |     |       |
| 47   | 113 837 581 D  | window crank                             |        |     | 2     | 914-6/4                 |             |                |                          |     |       |
| 48   | 900 115 011 01 | serrated lock washer<br>V 5,3            |        |     | 2     | 914-6/4                 |             |                |                          |     |       |
| 49   | N 014 263 3    | countersunk-head screw<br>AM 5 X 8       |        |     | 2     | 914-6/4                 |             |                |                          |     |       |
| 50   | 111 837 595    | desk pad                                 |        |     | 2     | 914-6/4                 |             |                |                          |     |       |
| 51   | 914 542 401 10 | guide rail                               |        |     | 2     | 914-6/4                 |             |                |                          |     |       |
| 52   | 914 531 033 10 | sealing for door slot                    | /L     |     | 1     |                         |             |                |                          |     |       |
| (52) | 914 531 034 10 | sealing for door slot                    | /R     |     | 1     |                         |             |                |                          |     |       |
| 53   | 999 702 054 50 | rubber sleeve                            |        |     | 2     | 914-6/4                 |             |                |                          |     |       |

|       |      |    |    |              |              |     |              |            |         |     |         |
|-------|------|----|----|--------------|--------------|-----|--------------|------------|---------|-----|---------|
| Model | Year | MG | SG | Illustration | Restrictions | UPD | 18:25        | 30.01.2010 | PORSCHE | PET | PORSCHE |
| 914   | 1976 | 8  | 04 | 804-05       |              | 248 | USA / CANADA |            |         |     |         |



| Pos | Part Number    | Description                             | Remark | Qty | Model |
|-----|----------------|---|--------|-----|-------|
|     |                | door<br>with installation parts         | 73-    |     |       |
|     |                | differing parts<br>see group<br>8/04/00 |        |     |       |
| (2) | 914 542 043 10 | power windows                           | /L     | 1   |       |
| 2   | 914 542 044 10 | power windows                           | /R     | 1   |       |
| (3) | 914 542 185 10 | guide rail                              | /L     | 1   |       |
| 3   | 914 542 186 10 | guide rail                              | /R     | 1   |       |
| 4   | N 014 339 1    | hexagon-head bolt<br>M 6 X 8            |        | 16  |       |
| 5   | 914 531 957 10 | profile                                 |        | 2   |       |
| (6) | 914 531 958 10 | retaining strip                         | /L     | 1   |       |
| 6   | 914 531 959 10 | retaining strip                         | /R     | 1   |       |
| 7   | 914 531 939 10 | sealing for door slot                   |        | 2   |       |
| 8   | 211 837 097    | rosette                                 |        | 2   |       |
| 9   | N 014 127 4    | oval-head screw<br>AM 5 X 6             |        | 2   |       |
| 10  | 321 837 581    | window crank                            |        | 2   |       |
|     |                | 01C<br>black                            |        |     |       |
| 11  | N 014 216 1    | countersunk-head screw<br>AM 5 X 10     |        | 2   |       |
| 12  | 111 837 595    | desk pad                                |        | 2   |       |

|       |      |    |    |              |              |     |              |            |         |     |         |
|-------|------|----|----|--------------|--------------|-----|--------------|------------|---------|-----|---------|
| Model | Year | MG | SG | Illustration | Restrictions | UPD | 18:25        | 30.01.2010 | PORSCHE | PET | PORSCHE |
| 914   | 1976 | 8  | 04 | 804-10       |              | 248 | USA / CANADA |            |         |     |         |

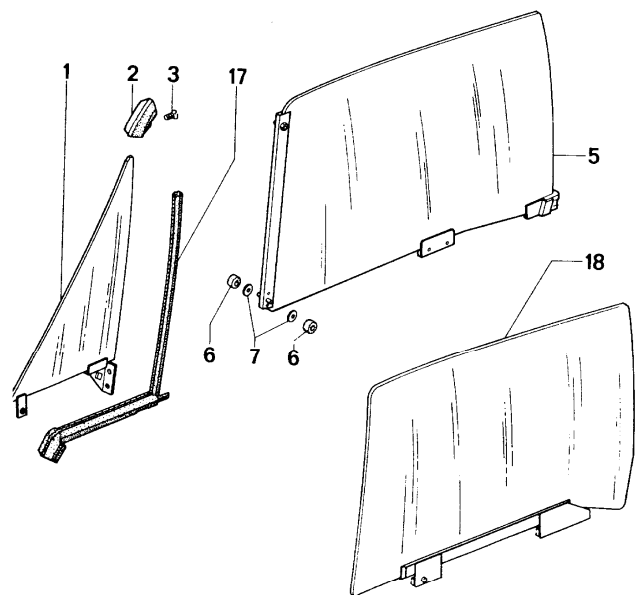
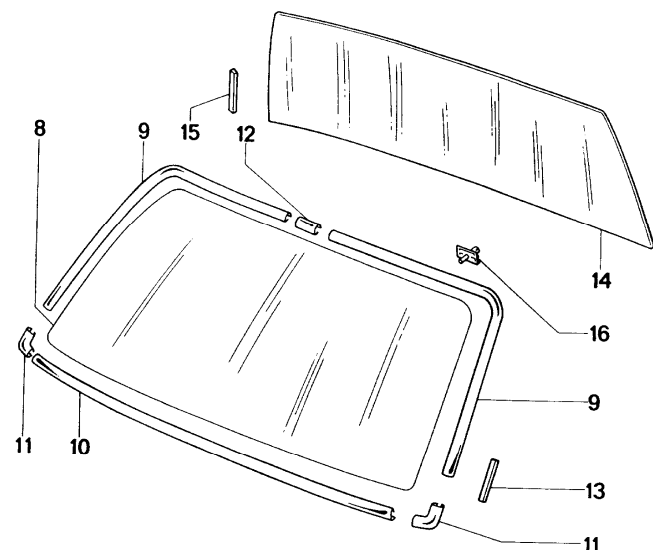


| Pos  | Part Number    | Description                            | Remark | Qty | Model                       |
|------|----------------|--|--------|-----|-----------------------------|
|      |                | door glass frame                       |        |     |                             |
| (1)  | 914 542 013 10 | guide                                  | /L     | 1   | 914-6/4                     |
| 1    | 914 542 014 10 | guide                                  | /R     | 1   | 914-6/4                     |
| 2    | 900 075 010 02 | hexagon-head bolt<br>M 6 X 12          |        | 6   |                             |
| 3    | 900 025 028 02 | washer<br>6,4                          |        | 6   |                             |
| 4    | 900 027 014 01 | lock ring<br>B 6                       |        | 6   |                             |
| 5    | 914 542 109 10 | shouldered bolt                        |        | 2   |                             |
| 6    | 900 025 007 02 | washer<br>A 8,4                        |        | 2   |                             |
| 7    | 900 075 078 02 | hexagon-head bolt<br>M 8               |        | 2   |                             |
| (8)  | 914 542 027 10 | guide rail                             | /H/L   | 1   | 914-6/4                     |
| 8    | 914 542 028 10 | guide rail                             | /H/R   | 1   | 914-6/4                     |
| (9)  | 914 542 111 10 | guide piece                            | /L     | 1   | 914-6/4                     |
| 9    | 914 542 112 10 | guide piece                            | /R     | 1   | 914-6/4                     |
| 10   | 999 507 001 02 | speed nut                              |        | 2   | 914-6/4                     |
| 11   | 900 144 014 02 | counters. head tapp. screw<br>4,2 X 13 |        | 2   | 914-6/4                     |
| 12   | 900 146 044 02 | oval-head screw<br>AM 6 X 10           |        | 2   | 914-6/4                     |
| 13   | N 011 524 7    | washer<br>A 6,4                        |        | 2   | 914-6/4                     |
| 14   | N 012 007 2    | lock ring<br>A 6                       |        | 2   | 914-6/4                     |
| (15) | 914 542 013 11 | guide                                  | /L     | 1   | 914-1,7/1,8V<br>914-1,8/2,0 |
| 15   | 914 542 014 11 | guide                                  | /R     | 1   | 914-1,7/1,8V<br>914-1,8/2,0 |
| (16) | 914 542 029 12 | guide rail                             | /L     | 1   | 914-1,7/1,8V<br>914-1,8/2,0 |
| 16   | 914 542 030 12 | guide rail                             | /R     | 1   | 914-1,7/1,8V<br>914-1,8/2,0 |

|       |      |    |    |              |              |     |              |            |         |     |         |
|-------|------|----|----|--------------|--------------|-----|--------------|------------|---------|-----|---------|
| Model | Year | MG | SG | Illustration | Restrictions | UPD | 18:25        | 30.01.2010 | PORSCHE | PET | PORSCHE |
| 914   | 1976 | 8  | 04 | 804-10       |              | 248 | USA / CANADA |            |         |     |         |

| Pos  | Part Number    | Description                               | Remark | Qty | Model                       | Pos | Part Number | Description | Remark | Qty | Model |
|------|----------------|---|--------|-----|-----------------------------|-----|-------------|-------------|--------|-----|-------|
| 17   | 914 542 161 12 | window guide                              |        | 2   | 914-1,7/1,8V<br>914-1,8/2,0 |     |             |             |        |     |       |
| 18   | 914 542 171 14 | window guide                              |        | 2   | 914-1,7/1,8V<br>914-1,8/2,0 |     |             |             |        |     |       |
| 19   | 900 146 044 02 | oval-head screw<br>AM 6 X 10              |        | 4   | 914-1,7/1,8V<br>914-1,8/2,0 |     |             |             |        |     |       |
| (20) | 914 542 173 10 | terminal piece                            | /L     | 1   | 914-1,7/1,8V<br>914-1,8/2,0 |     |             |             |        |     |       |
| 20   | 914 542 174 10 | terminal piece                            | /R     | 1   | 914-1,7/1,8V<br>914-1,8/2,0 |     |             |             |        |     |       |
| 21   | 900 140 032 02 | rais. counters. h. tap. s.<br>B 2,9 X 6,5 |        | 2   | 914-1,7/1,8V<br>914-1,8/2,0 |     |             |             |        |     |       |

|       |      |    |    |              |              |     |              |            |         |     |         |
|-------|------|----|----|--------------|--------------|-----|--------------|------------|---------|-----|---------|
| Model | Year | MG | SG | Illustration | Restrictions | UPD | 18:25        | 30.01.2010 | PORSCHE | PET | PORSCHE |
| 914   | 1976 | 8  | 05 | 805-00       |              | 248 | USA / CANADA |            |         |     |         |



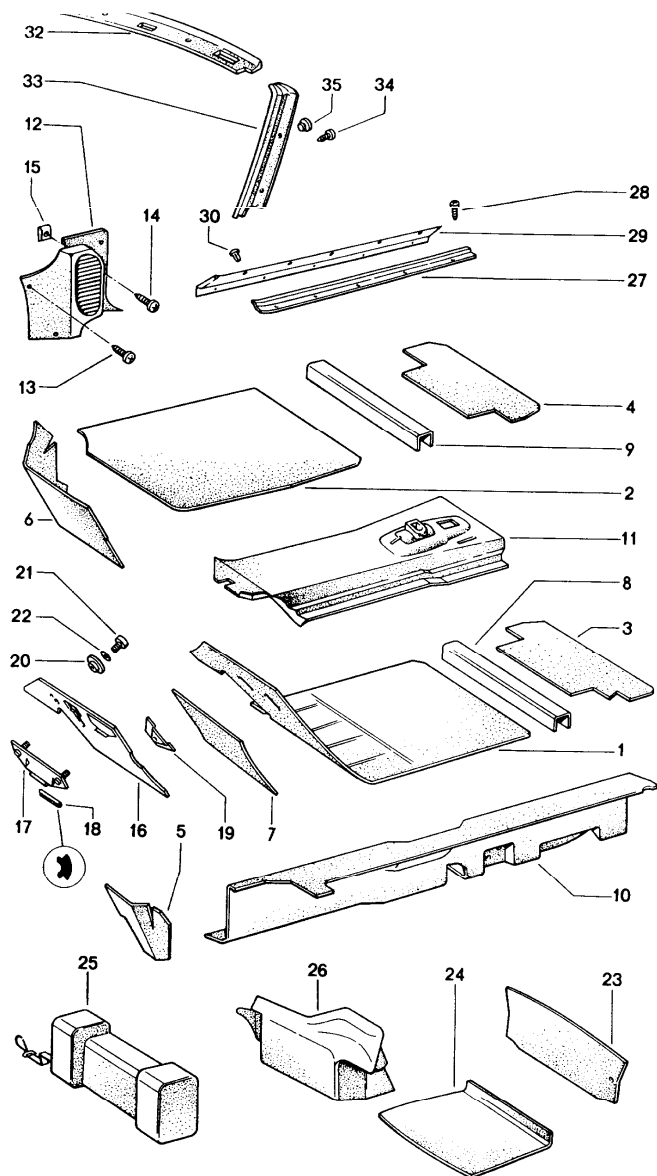
| Pos | Part Number    | Description   | Remark | Qty | Model                     |
|-----|----------------|---|--------|-----|---------------------------|
|     |                | window glazing  |        |     |                           |
| 1   | 914 542 023 10 | side window clear   | /L     | 1   |                           |
| 1   | 914 542 025 10 | side window heat protection glass                             | /L M   | 1   |                           |
| (1) | 914 542 024 10 | side window clear   | /R     | 1   |                           |
| (1) | 914 542 026 10 | side window heat protection glass                             | /R M   | 1   |                           |
| 2   | PCG 542 017 10 | protection cap  |        | 2   |                           |
| 3   | N 033 165 1    | countersunk-head screw AM 4 X 8                               |        | 4   |                           |
| 5   | 914 542 905 10 | door window glass clear                                       | /L     | 1   | 914-6/4                   |
| 5   | 914 542 911 10 | door window glass heat protection glass                       | /L M   | 1   | 914-6/4                   |
| (5) | 914 542 906 10 | door window glass clear                                       | /R     | 1   | 914-6/4                   |
| (5) | 914 542 912 10 | door window glass heat protection glass                       | /R M   | 1   | 914-6/4                   |
| 6   | 914 542 307 10 | roller  |        | 8   | 914-6/4                   |
| 7   | 914 542 217 10 | spring washer   |        | 8   | 914-6/4                   |
| 8   | 914 541 101 10 | windscreen clear laminated glass                              |        | 1   | 914-6/2,0                 |
| 8   | 914 541 101 10 | windscreen clear laminated glass                              |        | 1   | 914-4/1,7<br>914-1,8V/1,8 |
| (8) | 914 541 102 10 | windscreen heat protection glass                              |        | 1   |                           |
| 8   | 914 541 101 10 | windscreen clear tempered plate glass not for (USA) (CDN) (S) |        | 1   | 914-4/1,7<br>914-1,8V/1,8 |



|       |      |    |    |              |              |     |              |            |         |     |         |
|-------|------|----|----|--------------|--------------|-----|--------------|------------|---------|-----|---------|
| Model | Year | MG | SG | Illustration | Restrictions | UPD | 18:25        | 30.01.2010 | PORSCHE | PET | PORSCHE |
| 914   | 1976 | 8  | 05 | 805-00       |              | 248 | USA / CANADA |            |         |     |         |

| Pos  | Part Number    | Description                             | Remark | Qty | Model                       | Pos  | Part Number    | Description             | Remark | Qty | Model                       |
|------|----------------|---|--------|-----|-----------------------------|------|----------------|-------------------------|--------|-----|-----------------------------|
| 9    | 914 541 213 10 | moulding upper                          | /L     | 1   |                             | (18) | 914 542 040 12 | door window glass clear | /R     | 1   | 914-1,7/1,8V<br>914-1,8/2,0 |
| 9    | 914 541 214 10 | moulding upper                          | /R     | 1   |                             |      |                |                         |        |     |                             |
| 10   | 914 541 215 10 | moulding lower                          |        | 1   |                             |      |                |                         |        |     |                             |
| 11   | 914 541 217 10 | corner piece for trim frame             |        | 2   |                             |      |                |                         |        |     |                             |
| 12   | 914 541 219 10 | connecting piece                        |        | 1   |                             |      |                |                         |        |     |                             |
| -    | 477 898 011 A  | adhesive tape for windscreen            |        | 1   |                             |      |                |                         |        |     |                             |
| -    | 477 898 011 A  | sealing set repair kit for rear window  |        | 1   |                             |      |                |                         |        |     |                             |
| 13   | 914 541 907 10 | spacer for windscreen                   |        | 2   |                             |      |                |                         |        |     |                             |
| 14   | 914 545 103 10 | rear window clear                       |        | 1   |                             |      |                |                         |        |     |                             |
| (14) | 914 545 101 10 | rear window clear heated                |        | 1   |                             |      |                |                         |        |     |                             |
| 15   | 914 541 907 10 | spacer for rear window                  |        | 2   |                             |      |                |                         |        |     |                             |
| 16   | 914 541 921 11 | moulding clip                           |        | 19  |                             |      |                |                         |        |     |                             |
| 17   | 914 542 325 10 | sealing frame                           | /L     | 1   |                             |      |                |                         |        |     |                             |
| (17) | 914 542 326 10 | sealing frame                           | /R     | 1   |                             |      |                |                         |        |     |                             |
| 18   | 914 542 039 12 | door window glass clear                 | /L     | 1   | 914-1,7/1,8V<br>914-1,8/2,0 |      |                |                         |        |     |                             |
| 18   | 914 542 035 12 | door window glass heat protection glass | /L M   | 1   | 914-1,7/1,8V<br>914-1,8/2,0 |      |                |                         |        |     |                             |
| (18) | 914 542 036 12 | door window glass heat protection glass | /R M   | 1   | 914-1,7/1,8V<br>914-1,8/2,0 |      |                |                         |        |     |                             |

|       |      |    |    |              |              |     |              |            |         |     |         |
|-------|------|----|----|--------------|--------------|-----|--------------|------------|---------|-----|---------|
| Model | Year | MG | SG | Illustration | Restrictions | UPD | 18:25        | 30.01.2010 | PORSCHE | PET | PORSCHE |
| 914   | 1976 | 8  | 07 | 807-00       |              | 248 | USA / CANADA |            |         |     |         |



| Pos | Part Number    | Description  | Remark | Qty | Model |
|-----|----------------|--|--------|-----|-------|
|     |                | interior equipment front                                       |        |     |       |
|     |                | loop pile not available  |        |     |       |
| 1   | 914 551 023 10 | carpet<br>needled felt<br>please state the colour              | /V/L   | -71 | 1     |
| 1   | 914 551 023 12 | carpet<br>needled felt<br>please state the colour              | /V/L   | 72- | 1     |
| 2   | 914 551 024 10 | carpet<br>needled felt<br>please state the colour              | /V/R   | -71 | 1     |
| 2   | 914 551 094 10 | carpet<br>needled felt<br>please state the colour              | /V/R   | 72- | 1     |
| 3   | 914 551 021 10 | carpet<br>needled felt<br>please state the colour              | /H/L   |     | 1     |
| 4   | 914 551 022 10 | carpet<br>needled felt<br>please state the colour              | /H/R   | 72- | 1     |
| 5   | 914 551 425 10 | lining for firewall<br>needled felt<br>please state the colour | /L     |     | 1     |
| 6   | 914 551 426 10 | lining for firewall<br>needled felt<br>please state the colour | /R     | -71 | 1     |
| (6) | 914 551 428 10 | lining for firewall<br>needled felt<br>please state the colour | /R     | 72- | 1     |
| 7   | 914 551 149 10 | lining for firewall<br>needled felt<br>please state the colour | /L     |     | 1     |

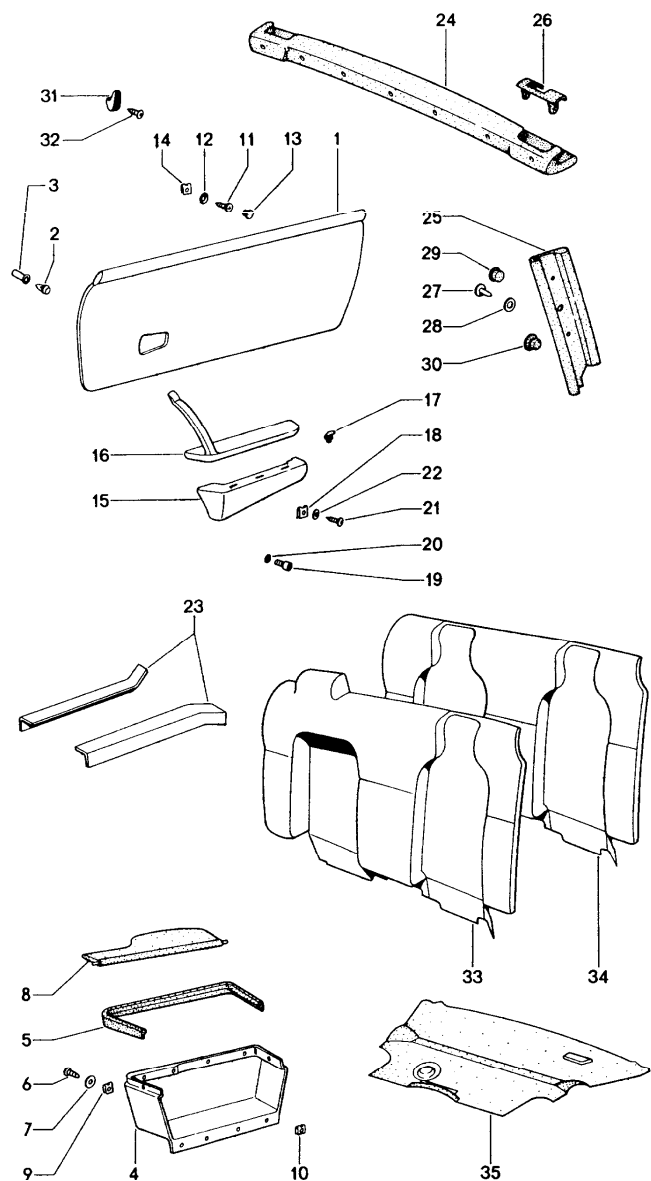
|       |      |    |    |              |              |     |              |            |         |     |         |
|-------|------|----|----|--------------|--------------|-----|--------------|------------|---------|-----|---------|
| Model | Year | MG | SG | Illustration | Restrictions | UPD | 18:25        | 30.01.2010 | PORSCHE | PET | PORSCHE |
| 914   | 1976 | 8  | 07 | 807-00       |              | 248 | USA / CANADA |            |         |     |         |

| Pos  | Part Number    | Description   | Remark | Qty        | Model | Pos   | Part Number | Description    | Remark  | Qty | Model |                                      |
|------|----------------|---|--------|------------|-------|-------|-------------|----------------|---|-----|-------|--------------------------------------|
| 8    | 914 551 171 10 | lining<br>for<br>cross member<br>seat<br>leatherette<br>please state the colour | /L     | -71        | 1     |       | 11          | 914 551 180 10 | lining<br>for<br>tunnel<br>needled felt<br>please state the colour                                    | -70 | 1     | 914-6                                |
| 8    | 914 551 171 11 | lining<br>for<br>cross member<br>seat<br>leatherette                            | /L     | 72-<br>-74 | 1     |       | 11          | 914 551 179 11 | lining<br>for<br>tunnel<br>needled felt<br>for<br>sealing sleeve<br>rubber<br>please state the colour |     | 1     | 914-4/1,7<br>914-1,8/1,8V<br>914-2,0 |
| 9    | 914 551 172 10 | lining<br>for<br>cross member<br>seat<br>leatherette<br>please state the colour | /R     | -71        | 1     |       | 11          | 914 551 165 10 | lining<br>for<br>tunnel<br>needled felt<br>for<br>leather sleeve<br>please state the colour           | /R  | 1     | 914-1,7/1,8V<br>914-1,8/2,0          |
| 9    | 914 551 172 11 | lining<br>for<br>cross member<br>seat<br>leatherette                            | /R     | 72-<br>-74 | 1     |       | 11          | 914 551 166 10 | lining<br>for<br>tunnel<br>centre console<br>needled felt<br>please state the colour                  |     | 1     | 914-4/1,7<br>914-1,8/1,8V<br>914-2,0 |
| 10   | 914 551 177 10 | lining<br>for<br>side member<br>needled felt<br>please state the colour         | /L     | -71        | 1     |       | 11          | 914 551 167 10 | lining<br>for<br>tunnel<br>needled felt<br>for<br>leather sleeve<br>please state the colour           |     | 1     | 914-1,7/1,8<br>914-2,0               |
| 10   | 914 551 177 11 | lining<br>for<br>side member<br>needled felt<br>please state the colour         | /L     | 72-        | 1     |       |             |                |   |     |       |                                      |
| (10) | 914 551 178 10 | lining<br>for<br>side member<br>needled felt<br>please state the colour         | /R     | -71        | 1     |       | (12)        | 914 551 505 10 | bracket<br>for<br>loudspeaker   | /L  | 1     |                                      |
| (10) | 914 551 178 11 | lining<br>for<br>side member<br>needled felt<br>please state the colour         | /R     | 72-        | 1     |       | 12          | 914 551 506 10 | bracket<br>for<br>loudspeaker   | /R  | 1     |                                      |
| 11   | 914 551 179 10 | lining<br>for<br>tunnel<br>please state the colour                              |        |            | 1     | 914-4 | 13          | 900 145 053 07 | tapping screw<br>B 4,8 X 22   |     | 6     |                                      |
|      |                |   |        |            |       |       | 14          | 900 145 030 02 | rais. counters. h. tap. s.<br>B 4,8 X 16  |     | 2     |                                      |
|      |                |   |        |            |       |       | 15          | 999 507 002 02 | speed nut   |     | 2     |                                      |
|      |                |   |        |            |       |       | 16          | 914 551 061 10 | pedal floor board   | /L  | 1     |                                      |

|       |      |    |    |              |              |     |              |            |         |     |         |
|-------|------|----|----|--------------|--------------|-----|--------------|------------|---------|-----|---------|
| Model | Year | MG | SG | Illustration | Restrictions | UPD | 18:25        | 30.01.2010 | PORSCHE | PET | PORSCHE |
| 914   | 1976 | 8  | 07 | 807-00       |              | 248 | USA / CANADA |            |         |     |         |

| Pos  | Part Number    | Description   | Remark     | Qty | Model                       | Pos  | Part Number    | Description   | Remark | Qty | Model                       |
|------|----------------|---|------------|-----|-----------------------------|------|----------------|---|--------|-----|-----------------------------|
| 17   | 914 551 067 00 | stop<br>for<br>clutch pedal                             |            | 1   |                             | 27   | 914 551 419 11 | cover strip<br>inner<br>plastic material<br>F 47329 18919>>                           |        | 2   | 914-1,7/1,8V<br>914-1,8/2,0 |
| 18   | 914 551 655 10 | rubber moulding<br>40 MM                                |            | 1   |                             | 28   | 900 145 041 00 | tapping screw<br>B 3,5 X 16<br>F >>47329 18918  |        | 10  |                             |
| 19   | 901 501 390 00 | tab   |            | 1   |                             | 28   | N 014 087 5    | rais. counters. h. tap. s.<br>B 3,5 X 16<br>black<br>F 47329 18919>>                  |        | 10  | 914-1,7/1,8V<br>914-1,8/2,0 |
| 20   | 914 551 651 10 | desk pad  |            | 1   |                             | 29   | 914 551 137 11 | scuff plate<br>aluminium<br>not available<br>914.551.137.11<br>use<br>F >>47329 18918 |        | 2   |                             |
| 21   | 900 067 009 02 | pan-head screw<br>M 6 X 15                              |            | 2   |                             | 29   | 914 551 137 11 | scuff plate<br>plastic material<br>F 47329 18919>>                                    |        | 2   | 914-1,7/1,8V<br>914-1,8/2,0 |
| 22   | N 042 121 3    | shake-proof washer<br>A 6,4                             |            | 2   |                             | 30   | 999 591 550 40 | expansion rivet   |        | 24  |                             |
| 23   | 914 551 187 10 | lining<br>for<br>cross panel<br>needled felt            | -71        | 1   | 914-6/4                     | 32   | 914 555 047 10 | padding<br>upper  |        | 1   | 914-6/4                     |
| (23) | 914 551 187 11 | lining<br>for<br>cross panel<br>needled felt            | 72-<br>-74 | 1   |                             | 32   | 914 555 047 12 | padding<br>upper  |        | 1   | 914-1,7/1,8V<br>914-1,8/2,0 |
| (23) | 914 551 107 10 | lining<br>for<br>cross panel<br>needled felt            | 75-        | 1   | 914-1,8V/1,8<br>914-2,0     | 33   | 914 555 013 10 | padding<br>lateral  | /L     | 1   | 914-6/4                     |
| (24) | 914 551 029 12 | cover<br>for<br>emergency wheel                         |            | 1   |                             | 33   | 914 555 013 12 | padding<br>lateral  | /L     | 1   | 914-1,7/1,8V<br>914-1,8/2,0 |
| 25   | 914 551 015 10 | foot support<br>needled felt<br>please state the colour | -71        | 1   | 914-4                       | (33) | 914 555 014 12 | roof frame padding<br>lateral   | /R     | 1   | 914-6/4                     |
| 26   | 914 551 429 10 | insert<br>for<br>foot support                           | -74        | 1   | 914-1,7/1,8V<br>914-1,8/2,0 | (33) | 914 555 014 12 | padding<br>lateral  | /R     | 1   | 914-1,7/1,8V<br>914-1,8/2,0 |
| (26) | 914 551 429 12 | insert<br>for<br>foot support                           | 75-        | 1   | 914-1,8V/1,8<br>914-2,0     | 34   | N 013 957 5    | tapping screw<br>B 3,5 X 9,5  |        | 8   |                             |
| -    | 914 551 430 10 | lid   | 75-        | 1   | 914-1,8V/1,8<br>914-2,0     | 35   | 914 552 233 10 | filler piece  |        | 8   |                             |
| 27   | 914 551 419 11 | sealing strip<br>inner<br>aluminium<br>F >>47329 18918  |            | 2   |                             |      |                |   |        |     |                             |

|       |      |    |    |              |              |     |              |            |         |     |         |
|-------|------|----|----|--------------|--------------|-----|--------------|------------|---------|-----|---------|
| Model | Year | MG | SG | Illustration | Restrictions | UPD | 18:26        | 30.01.2010 | PORSCHE | PET | PORSCHE |
| 914   | 1976 | 8  | 07 | 807-05       |              | 248 | USA / CANADA |            |         |     |         |



| Pos | Part Number    | Description  | Remark | Qty | Model                         |
|-----|----------------|--|--------|-----|-------------------------------|
|     |                | interior equipment rear  |        |     |                               |
| (1) | 914 555 017 09 | door trim panel<br>please state the colour                                       | /L     | -70 | 1 914-6/4                     |
| (1) | 914 555 017 10 | door trim panel<br>please state the colour                                       | /L     | 71  | 1 914-6/4                     |
| (1) | 914 555 017 11 | door trim panel<br>please state the colour                                       | /L     | 72- | 1 914-6/4                     |
| (1) | 914 555 257 10 | door trim panel<br>please state the colour<br>F >>91424 30039<br>F >>47229 09016 | /L     | 72- | 1 914-6/4                     |
| (1) | 914 555 283 10 | door trim panel<br>please state the colour                                       |        | -74 | 1 914-1,7/1,8V<br>914-1,8/2,0 |
| (1) | 914 555 283 11 | door trim panel<br>please state the colour                                       | /L     | 75- | 1 914-1,8V/1,8<br>914-2,0     |
| 1   | 914 555 018 09 | door trim panel<br>please state the colour                                       | /R     | -70 | 1 914-6/4                     |
| 1   | 914 555 018 10 | door trim panel<br>please state the colour                                       | /R     | 71  | 1 914-6/4                     |
| 1   | 914 555 018 11 | door trim panel<br>please state the colour<br>F >>91424 30039<br>F >>47229 09016 | /R     | 72- | 1 914-6/4                     |
| 1   | 914 555 258 10 | door trim panel<br>please state the colour<br>F 91424 30040>><br>F 47229 09017>> | /R     | 72- | 1 914-6/4                     |
| 1   | 914 555 284 10 | door trim panel<br>please state the colour                                       | /R     | -74 | 1 914-1,7/1,8V<br>914-1,8/2,0 |
| 1   | 914 555 284 11 | door trim panel<br>please state the colour                                       | /R     | 75- | 1 914-1,8V/1,8<br>914-2,0     |
| 2   | 999 591 310 40 | fixing clip  |        | -73 | 18 914-6/4/1,7<br>914-2,0     |
| 2   | 823 867 299    | clip   |        | 74- | 18 914-1,8V/1,8<br>914-2,0    |
| 3   | 999 591 311 40 | bush   |        | -73 | 18 914-6/4/1,7<br>914-2,0     |

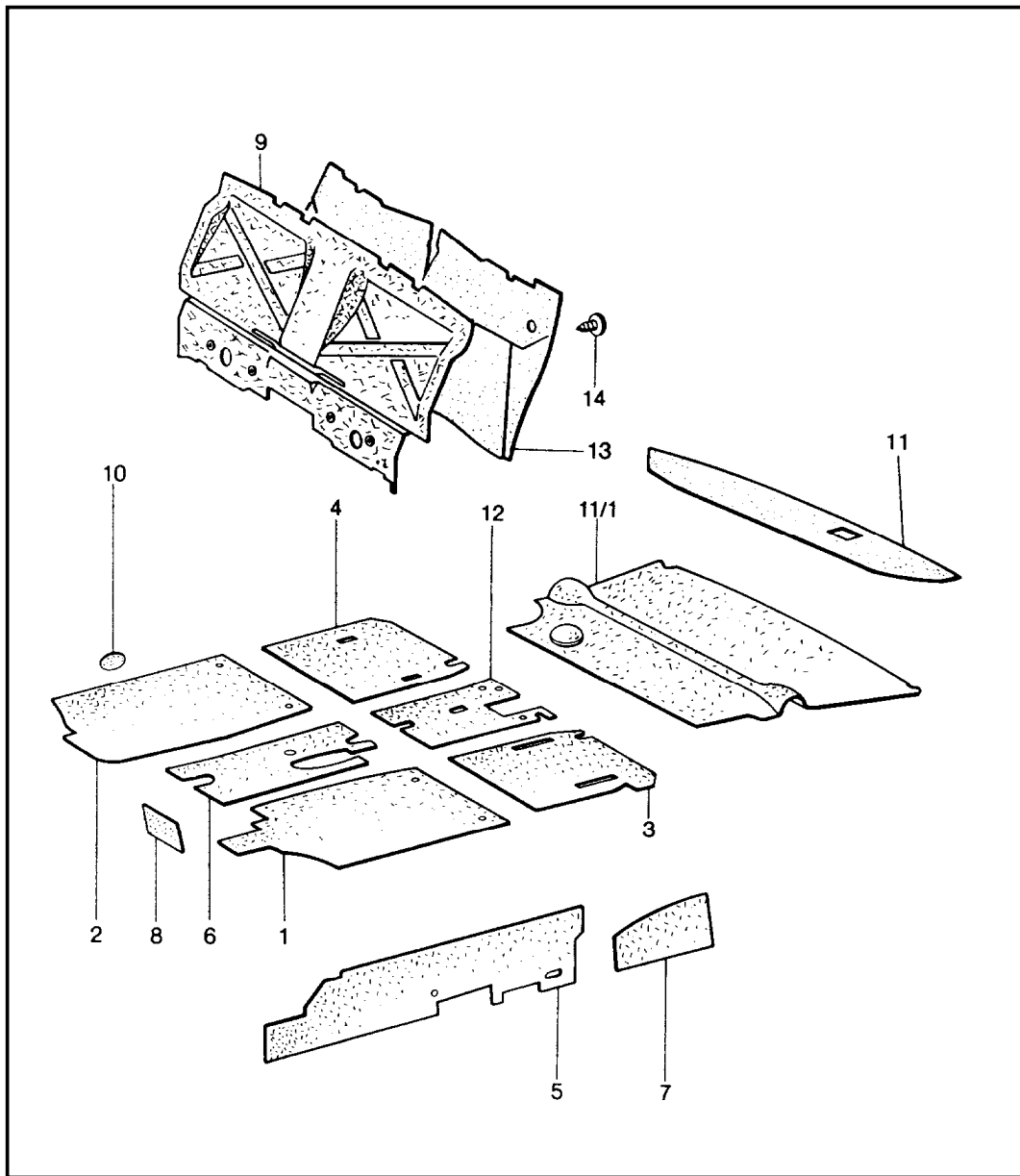
|       |      |    |    |              |              |     |              |            |         |     |         |
|-------|------|----|----|--------------|--------------|-----|--------------|------------|---------|-----|---------|
| Model | Year | MG | SG | Illustration | Restrictions | UPD | 18:26        | 30.01.2010 | PORSCHE | PET | PORSCHE |
| 914   | 1976 | 8  | 07 | 807-05       |              | 248 | USA / CANADA |            |         |     |         |

| Pos  | Part Number    | Description  | Remark | Qty | Model   | Pos  | Part Number    | Description   | Remark   | Qty | Model                       |
|------|----------------|--|--------|-----|---------|------|----------------|---|----------|-----|-----------------------------|
| 4    | 914 555 021 09 | cover<br>for<br>door<br>bag<br>please state the colour     | /L -70 | 1   | 914-6/4 | (15) | 914 555 138 10 | cover<br>for<br>door<br>armrest                                   | /R 72-   | 1   |                             |
| 4    | 914 555 021 10 | cover<br>for<br>door<br>bag<br>please state the colour     | /L 71  | 1   | 914-6/4 | 16   | 914 555 087 10 | armrest   | /R       | 1   |                             |
| 4    | 914 555 021 11 | cover<br>for<br>door<br>bag<br>please state the colour     | /L 72- | 1   |         | 17   | 914 555 589 10 | clamping piece  |          | 6   |                             |
| 5    | 914 555 025 10 | frame<br>for<br>door<br>bag                                | /L     | 1   |         | 18   | 999 507 318 02 | nut lock clip   |          | 3   |                             |
| 6    | 900 145 006 02 | rais. counters. h. tap. s.<br>B 3,5 X 19                   |        | 6   |         | 19   | 900 067 111 02 | pan-head screw<br>M 5 X 18  |          | 3   |                             |
| 7    | 999 591 102 12 | protection washer  |        | 6   |         | 20   | 900 025 003 02 | washer<br>5,3   |          | 3   |                             |
| 8    | 914 555 027 10 | lid  | /L     | 1   |         | 21   | 900 145 006 02 | rais. counters. h. tap. s.<br>B 3,5 X 19                          |          | 3   |                             |
| 9    | 999 507 317 02 | nut lock clip  |        | 2   |         | 22   | 999 591 102 12 | protection washer   |          | 3   |                             |
| 10   | 999 507 001 02 | speed nut  |        | 1   |         | 23   | 914 551 173 10 | lining<br>for<br>tunnel<br>leatherette<br>please state the colour | /H/L -71 | 1   | 914-6/4                     |
| 11   | 900 067 111 02 | pan-head screw<br>M 5 X 18                                 |        | 1   |         | 23   | 914 551 173 11 | lining<br>for<br>tunnel<br>leatherette                            | /H/L 72- | 1   |                             |
| 12   | 900 025 003 02 | washer   |        | 1   |         | 23   | 914 551 174 11 | lining<br>for<br>tunnel<br>leatherette<br>please state the colour | /H/R -71 | 1   | 914-6/4                     |
| 13   | 914 555 129 10 | stopper  |        | 2   |         | 23   | 914 551 174 11 | lining<br>for<br>tunnel<br>leatherette                            | /H/R 72- | 1   |                             |
| 14   | 999 507 317 02 | nut lock clip  |        | 2   |         | 24   | 914 552 097 10 | padding<br>upper<br>for<br>roll bar                               |          | 1   | 914-6/4                     |
| 15   | 914 555 044 09 | cover<br>for<br>door<br>armrest<br>please state the colour | /R -70 | 1   | 914-6/4 | 24   | 914 552 097 12 | padding<br>upper<br>for<br>roll bar                               |          | 1   | 914-1,7/1,8V<br>914-1,8/2,0 |
| (15) | 914 555 044 10 | cover<br>for<br>door<br>armrest<br>please state the colour | /R 71  | 1   | 914-6/4 |      |                |   |          |     |                             |

|       |      |    |    |              |              |     |              |            |         |     |         |
|-------|------|----|----|--------------|--------------|-----|--------------|------------|---------|-----|---------|
| Model | Year | MG | SG | Illustration | Restrictions | UPD | 18:26        | 30.01.2010 | PORSCHE | PET | PORSCHE |
| 914   | 1976 | 8  | 07 | 807-05       |              | 248 | USA / CANADA |            |         |     |         |

| Pos  | Part Number    | Description                         | Remark | Qty | Model                         | Pos | Part Number    | Description   | Remark | Qty | Model                       |
|------|----------------|-------------------------------------|--------|-----|-------------------------------|-----|----------------|---|--------|-----|-----------------------------|
| 25   | 914 552 033 10 | padding lateral for roll bar        | /L     | 1   | 914-6/4                       | 33  | 914 555 061 09 | rear wall leatherette please state the colour       | -70    | 1   | 914-6/4                     |
| 25   | 914 552 033 12 | padding lateral for roll bar        | /L     | 1   | 914-1,7/1,8V<br>914-1,8/2,0   | 33  | 914 555 061 10 | rear wall leatherette please state the colour       | 71     | 1   | 914-6/4                     |
| (25) | 914 552 034 10 | padding lateral for roll bar        | /R     | 1   | 914-6/4                       | 33  | 914 555 075 09 | rear wall leatherette/cloth please state the colour | -70    | 1   | 914-6/4                     |
| (25) | 914 552 034 12 | padding lateral for roll bar        | /R     | 1   | 914-1,7/1,8V<br>914-1,8/2,0   | 33  | 914 555 075 10 | rear wall leatherette/cloth please state the colour | 71     | 1   | 914-6/4                     |
| 26   | 914 552 447 10 | cover F >>47329 18796               | /L     | -73 | 1 914-6/4/1,7<br>914/2,0      | 34  | 914 555 061 11 | rear wall leatherette please state the colour       | 72-    | 1   | 914-6/4                     |
| 26   | 914 552 467 10 | cover F 47329 18797>>               | /L     | 73- | 1 914-1,7/1,8V<br>914-1,8/2,0 | 34  | 914 555 061 12 | rear wall leatherette please state the colour       | -74    | 1   | 914-1,7/1,8V<br>914-1,8/2,0 |
| (26) | 914 552 448 10 | cover F >>47329 18796               | /R     | -73 | 1 914-6/4/1,7<br>914-2,0      | 34  | 914 555 061 13 | rear wall leatherette please state the colour       | 75-    | 1   | 914-1,8V/1,8<br>914-2,0     |
| (26) | 914 552 468 10 | cover F 47329 18797>>               | /R     | 73- | 1 914-1,7/1,8V<br>914-2,0     | 35  | 914 551 040 10 | luggage compartment trim                            | -71    | 1   | 914-6/4                     |
| 27   | 900 143 072 02 | oval-head sheetmetal screw 3,5 X 19 |        | 15  |                               | 35  | 914 551 040 11 | luggage compartment trim                            | 72-    | 1   | 914-6/4                     |
| 28   | 901 803 113 20 | cover disc                          |        | 8   | 914-6/4/1,7                   | 35  | 914 551 044 10 | luggage compartment trim                            |        | 1   | 914-1,7/1,8V<br>914-1,8/2,0 |
| 28   | 901 803 113 20 | cover disc                          |        | 2   | 914-1,8V/1,8<br>914-2,0       |     |                |   |        |     |                             |
| 29   | 901 803 115 20 | stopper                             |        | 8   | 914-6/4/1,7                   |     |                |   |        |     |                             |
| 29   | 901 803 115 20 | stopper                             |        | 2   | 914-1,8V/1,8<br>914-2,0       |     |                |   |        |     |                             |
| 29   | 211 857 785    | stopper                             |        | 4   | 914-1,8V/1,8<br>914-2,0       |     |                |   | 74-    |     |                             |
| 30   | 914 552 233 10 | filler piece                        |        | 14  |                               |     |                |   |        |     |                             |
| 31   | 901 552 870 40 | coat hook                           |        | 1   |                               |     |                |   |        |     |                             |
| 32   | N 013 975 4    | tapping screw B 4,8 X 19            |        | 1   |                               |     |                |   |        |     |                             |

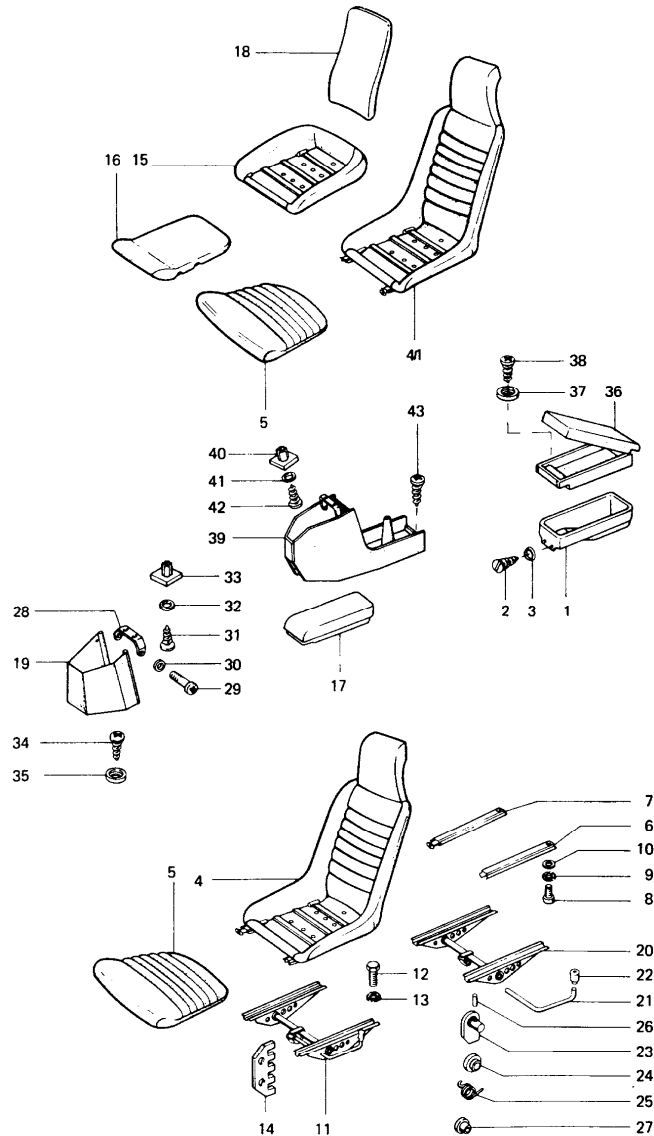
|       |      |    |    |              |              |     |              |            |         |     |         |
|-------|------|----|----|--------------|--------------|-----|--------------|------------|---------|-----|---------|
| Model | Year | MG | SG | Illustration | Restrictions | UPD | 18:26        | 30.01.2010 | PORSCHE | PET | PORSCHE |
| 914   | 1976 | 8  | 07 | 807-10       |              | 248 | USA / CANADA |            |         |     |         |



| Pos  | Part Number    | Description                    | Remark | Qty | Model                                |
|------|----------------|--------------------------------|--------|-----|--------------------------------------|
|      |                | sound absorber                 |        |     |                                      |
| 1    | 914 556 113 10 | damping mat                    | /V/L   | 1   |                                      |
| 2    | 914 556 114 10 | damping mat                    | /V/R   | 1   |                                      |
| 3    | 914 556 115 10 | damping mat                    | /H/L   | 1   |                                      |
| 4    | 914 556 116 10 | damping mat                    | /H/R   | -71 | 1 914-6/4                            |
| (4)  | 914 556 116 11 | damping mat                    | /H/R   | 72- | 1                                    |
| 5    | 914 556 117 10 | damping mat                    | /L     | 1   |                                      |
| (5)  | 914 556 118 10 | damping mat                    | /R     | 1   |                                      |
| 6    | 914 556 119 10 | damping mat                    | /V     | 1   |                                      |
| 7    | 914 556 121 10 | damping mat<br>wheel housing   | /L     | 1   |                                      |
| (7)  | 914 556 122 10 | damping mat<br>wheel housing   | /R     | 1   |                                      |
| 8    | 914 556 125 10 | damping mat<br>cross panel     |        | 3   |                                      |
| 9    | 914 556 129 10 | damping mat                    |        | -71 | 1 914-6/4                            |
| (9)  | 914 556 129 11 | damping mat                    |        | 72- | 1                                    |
| 10   | 914 556 109 10 | damping mat                    |        | 4   | 914-4/1,7<br>914-1,8/1,8V<br>914-2,0 |
| 11   | 914 556 265 10 | luggage compartment cover      | /H     | 1   | 914-6/4                              |
| 11/1 | 914 556 003 10 | damping mat<br>heat insulation | /H     | 1   |                                      |
| 12   | 914 556 128 10 | damping mat<br>tunnel          | /H     | -71 | 1 914-6/4                            |
| (12) | 914 556 128 11 | damping mat<br>tunnel          | /H     | 72- | 1                                    |
| 13   | 914 556 135 10 | damping mat                    |        | 1   | 914-1,7/1,8V<br>914-1,8/2,0          |
| 14   | 914 559 377 10 | plastic plug                   |        | 4   | 914-1,7/1,8V<br>914-1,8/2,0          |



|       |      |    |    |              |              |     |              |            |         |     |         |
|-------|------|----|----|--------------|--------------|-----|--------------|------------|---------|-----|---------|
| Model | Year | MG | SG | Illustration | Restrictions | UPD | 18:26        | 30.01.2010 | PORSCHE | PET | PORSCHE |
| 914   | 1976 | 8  | 08 | 808-00       |              | 248 | USA / CANADA |            |         |     |         |



| Pos   | Part Number    | Description  | Remark | Qty | Model          |
|-------|----------------|--|--------|-----|----------------|
|       |                | seat   |        |     |                |
| 1     | 914 521 251 10 | shelf  |        | 1   |                |
| 2     | 900 145 023 02 | rais. counters. h. tap. s.<br>B 3,9 X 13   |        | 4   |                |
| 3     | 999 591 011 12 | washer   |        | 4   |                |
| 4-5   | 914 521 010 09 | front seat<br>driver's side<br>leatherette<br>please state the colour  |        | -70 | 1 914-6/4      |
| 4-5   | 914 521 010 10 | front seat<br>driver's side<br>leatherette<br>please state the colour  |        | 71  | 1 914-6/4      |
| 4-5   | 914 521 010 12 | front seat<br>driver's side<br>leatherette<br>please state the colour  |        | -74 | 1              |
| 4-5   | 914 521 010 15 | front seat<br>driver's side<br>leatherette<br>please state the colour  |        | 75- | 1 914-1,8V/2,0 |
| 4-5   | 914 521 382 10 | front seat<br>driver's side<br>leatherette<br>for<br>seat belt<br>warning contact<br>please state the colour | (USA)  | 74  | 1 914-1,8/2,0  |
| (4-5) | 914 521 382 12 | front seat<br>driver's side<br>leatherette<br>for<br>seat belt<br>warning contact<br>please state the colour | (USA)  | 75- | 1 914-1,8/2,0  |
| (4-5) | 914 521 091 09 | front seat<br>driver's side<br>leatherette/<br>cloth<br>please state the colour                              |        | -70 | 1 914-6/4      |
| (4-5) | 914 521 091 10 | front seat<br>driver's side<br>leatherette/<br>cloth<br>please state the colour                              |        | 71  | 1 914-6/4      |

|       |      |    |    |              |              |     |              |            |         |     |         |
|-------|------|----|----|--------------|--------------|-----|--------------|------------|---------|-----|---------|
| Model | Year | MG | SG | Illustration | Restrictions | UPD | 18:26        | 30.01.2010 | PORSCHE | PET | PORSCHE |
| 914   | 1976 | 8  | 08 | 808-00       |              | 248 | USA / CANADA |            |         |     |         |

| Pos   | Part Number    | Description  | Remark | Qty        | Model | Pos                                  | Part Number    | Description  | Remark  | Qty   | Model |                          |             |
|-------|----------------|--|--------|------------|-------|--------------------------------------|----------------|--|---|-------|-------|--------------------------|-------------|
| (4-5) | 914 521 091 12 | front seat<br>driver's side<br>leatherette/<br>cloth<br>please state the colour  |        | 74         | 1     | /1-5                                 | 914 521 099 12 | front seat<br>passenger's side<br>leatherette/<br>cloth<br>please state the colour | 72-74   | 1     |       |                          |             |
| (4-5) | 914 521 091 15 | front seat<br>driver's side<br>leatherette/<br>cloth<br>please state the colour  |        | 75-        | 1     | 914-1,8V/2,0                         | /1-5           | 914 521 099 14   | front seat<br>passenger's side<br>leatherette/<br>cloth<br>please state the colour  | 75-   | 1     | 914-1,8V/2,0             |             |
| (4-5) | 914 521 384 10 | front seat<br>driver's side<br>leatherette/<br>cloth<br>for<br>seat belt<br>warning contact<br>please state the colour | (USA)  | 74         | 1     | 914-1,8/2,0                          | /1-5           | 914 521 383 11   | front seat<br>passenger's side<br>leatherette/<br>cloth<br>for<br>seat belt<br>warning contact<br>please state the colour | (USA) | 72-   | 1                        | 914-4       |
| (4-5) | 914 521 384 12 | front seat<br>driver's side<br>leatherette/<br>cloth<br>for<br>seat belt<br>warning contact<br>please state the colour | (USA)  | 75-        | 1     | 914-1,8/2,0                          | /1-5           | 914 521 383 12   | front seat<br>passenger's side<br>leatherette/<br>cloth<br>for<br>seat belt<br>warning contact<br>please state the colour | 72-74 | 1     | 914-4/1,7<br>914-1,8/2,0 |             |
| /1-5  | 914 521 061 12 | front seat<br>passenger's side<br>leatherette<br>please state the colour   |        | 72-74      | 1     |                                      | /1-5           | 914 521 383 14   | front seat<br>passenger's side<br>leatherette/<br>cloth<br>for<br>seat belt<br>warning contact<br>please state the colour | (USA) | 75-   | 1                        | 914-1,8/2,0 |
| /1-5  | 914 521 061 14 | front seat<br>passenger's side<br>leatherette<br>please state the colour   |        | 75-        | 1     | 914-1,8V/2,0                         |                |  |   |       |       |                          |             |
| /1-5  | 914 521 381 12 | front seat<br>passenger's side<br>leatherette<br>for<br>seat belt<br>warning contact<br>please state the colour        | (USA)  | 72-<br>-74 | 1     | 914-4/1,7<br>914-1,8/1,8V<br>914-2,0 | 5              | 914 521 035 09   | seat cushion<br>driver's side<br>leatherette<br>please state the colour   | -70   | 1     | 914-6/4                  |             |
|       |                |  |        |            |       |                                      | 5              | 914 521 035 10   | seat cushion<br>driver's side<br>leatherette<br>please state the colour   | 71    | 1     | 914-6/4                  |             |
| /1-5  | 914 521 381 14 | front seat<br>passenger's side<br>leatherette<br>for<br>seat belt<br>warning contact<br>please state the colour        | (USA)  | 75-        | 1     | 914-1,8/2,0                          | 5              | 914 521 035 12   | seat cushion<br>driver's side<br>and<br>passenger's side<br>leatherette<br>please state the colour                        | 72-74 | 2     |                          |             |

|       |      |    |    |              |              |     |              |            |         |     |         |
|-------|------|----|----|--------------|--------------|-----|--------------|------------|---------|-----|---------|
| Model | Year | MG | SG | Illustration | Restrictions | UPD | 18:26        | 30.01.2010 | PORSCHE | PET | PORSCHE |
| 914   | 1976 | 8  | 08 | 808-00       |              | 248 | USA / CANADA |            |         |     |         |

| Pos | Part Number      | Description   | Remark | Qty   | Model | Pos                      | Part Number | Description    | Remark  | Qty   | Model |              |                          |
|-----|------------------|---|--------|-------|-------|--------------------------|-------------|----------------|---|-------|-------|--------------|--------------------------|
| 5   | 914 521 035 14   | seat cushion<br>driver's side<br>and<br>passenger's side<br>leatherette<br>please state the colour  |        | 75-   | 2     | 914-1,8V/2,0             | (5)         | 914 521 093 12 | seat cushion<br>driver's side<br>and<br>passenger's side<br>leatherette/<br>cloth<br>please state the colour  | 72-74 | 2     |              |                          |
| 5   | A 914 521 333 11 | seat cushion<br>passenger's side<br>leatherette<br>for<br>seat belt<br>warning contact<br>please state the colour                         | (USA)  | 72-   | 1     | 914-4                    | (5)         | 914 521 093 14 | seat cushion<br>driver's side<br>and<br>passenger's side<br>leatherette/<br>cloth<br>please state the colour  | 75-   | 2     | 914-1,8V/2,0 |                          |
| 5   | 914 521 333 12   | seat cushion<br>driver's side<br>and<br>passenger's side<br>leatherette<br>for<br>seat belt<br>warning contact<br>please state the colour | (USA)  | 72-74 | 2     | 914-4/1,7<br>914-1,8/2,0 | (5)         | 914 521 335 11 | seat cushion<br>passenger's side<br>leatherette/<br>cloth<br>for<br>seat belt<br>warning contact<br>please state the colour                         | (USA) | 72-   | 1            | 914-4                    |
| 5   | 914 521 333 14   | seat cushion<br>driver's side<br>and<br>passenger's side<br>leatherette<br>for<br>seat belt<br>warning contact<br>please state the colour | (USA)  | 75-   | 2     | 914-1,8/2,0              | (5)         | 914 521 335 12 | seat cushion<br>driver's side<br>and<br>passenger's side<br>leatherette/<br>cloth<br>for<br>seat belt<br>warning contact<br>please state the colour | (USA) | 72-74 | 2            | 914-4/1,7<br>914-1,8/2,0 |
| (5) | 914 521 093 09   | seat cushion<br>driver's side<br>leatherette/<br>cloth<br>please state the colour   |        | -70   | 1     | 914-6/4                  | (5)         | 914 521 335 14 | seat cushion<br>driver's side<br>and<br>passenger's side<br>leatherette/<br>cloth<br>for<br>seat belt<br>warning contact<br>please state the colour | (USA) | 75-   | 2            | 914-1,8/2,0              |
| (5) | 914 521 093 10   | seat cushion<br>driver's side<br>leatherette/<br>cloth<br>please state the colour   |        | 71    | 1     | 914-6/4                  |             |                |   |       |       |              |                          |
| (5) | A 914 521 093 11 | seat cushion<br>driver's side<br>and<br>passenger's side<br>leatherette/<br>cloth<br>please state the colour                              |        | 72-   | 2     | 914-6/4                  | 6           | 914 521 030 10 | seat rail   | /L    | 2     |              |                          |
|     |                  |   |        |       |       |                          | 7           | 914 521 029 10 | seat rail   | /R    | 2     |              |                          |
|     |                  |   |        |       |       |                          | -           | 914 521 146 10 | rivet   |       | 2     |              |                          |
|     |                  |   |        |       |       |                          | 8           | 900 119 091 02 | pan-head screw<br>M 6 X 15  |       | 16    |              |                          |

|       |      |    |    |              |              |     |              |            |         |     |         |
|-------|------|----|----|--------------|--------------|-----|--------------|------------|---------|-----|---------|
| Model | Year | MG | SG | Illustration | Restrictions | UPD | 18:26        | 30.01.2010 | PORSCHE | PET | PORSCHE |
| 914   | 1976 | 8  | 08 | 808-00       |              | 248 | USA / CANADA |            |         |     |         |

| Pos  | Part Number    | Description  | Remark | Qty | Model                   | Pos  | Part Number    | Description  | Remark | Qty | Model                   |
|------|----------------|--|--------|-----|-------------------------|------|----------------|--|--------|-----|-------------------------|
| 9    | N 042 121 3    | shake-proof washer<br>A 6,4  |        | 16  |                         | (16) | 914 521 047 10 | seat cushion<br>passenger's side<br>leatherette<br>please state the colour           | 71     | 1   | 914-6/4                 |
| 10   | N 011 524 7    | washer<br>B 6,4  |        | 16  |                         |      |                |  |        |     |                         |
| 11   | 914 521 031 10 | seat frame<br>front seat<br>driver's side<br>with<br>height adjustment     | -73    | 1   | 914-6/4/1,7<br>914-2,0  | (16) | 914 521 056 09 | seat cushion<br>passenger's side<br>leatherette/<br>cloth<br>please state the colour | -70    | 1   | 914-6/4                 |
| 11   | 914 521 031 11 | seat frame<br>front seat<br>driver's side<br>with<br>height adjustment     | 74-    | 1   | 914-1,8V/1,8<br>914-2,0 | (16) | 914 521 056 10 | seat cushion<br>passenger's side<br>leatherette/<br>cloth<br>please state the colour | 71     | 1   | 914-6/4                 |
| 11   | 914 521 074 10 | seat frame<br>front seat<br>passenger's side<br>with<br>height adjustment  | 72-73  | 1   | 914-6/4/1,7<br>914-2,0  | 17   | 914 521 053 09 | back seat cushion<br>leatherette<br>please state the colour                          | -70    | 1   | 914-6/4                 |
| 11   | 914 521 074 11 | seat frame<br>front seat<br>passenger's side<br>with<br>height adjustment  | 74-    | 1   | 914-1,8V/1,8<br>914-2,0 | (17) | 914 521 053 10 | back seat cushion<br>leatherette<br>please state the colour                          | 71     | 1   | 914-6/4                 |
| 12   | 900 075 193 08 | hexagon-head bolt<br>M 6 X 15  | -74    | 8   |                         | (17) | 914 521 053 14 | back seat cushion<br>leatherette<br>please state the colour                          | 75-    | 1   | 914-1,8V/1,8<br>914-2,0 |
| 12   | 900 075 193 08 | hexagon-head bolt<br>M 6 X 16  | 75-    | 8   | 914-1,8V/1,8<br>914-2,0 | 18   | 914 555 081 09 | backrest<br>passenger's side<br>leatherette<br>please state the colour               | -70    | 1   | 914-6/4                 |
| 13   | N 042 121 3    | shake-proof washer<br>A 6,4  |        | 8   |                         |      |                |  |        |     |                         |
| 14   | 914 521 217 10 | locking segment  |        | 2   |                         | (18) | 914 555 081 10 | backrest<br>passenger's side<br>leatherette<br>please state the colour               | 71     | 1   | 914-6/4                 |
| 15   | 914 521 075 09 | cup<br>passenger's side<br>leatherette<br>please state the colour          | -70    | 1   | 914-6/4                 | (18) | 914 555 079 09 | backrest<br>passenger's side<br>leatherette/<br>cloth<br>please state the colour     | -70    | 1   | 914-6/4                 |
| (15) | 914 521 075 10 | cup<br>passenger's side<br>leatherette<br>please state the colour          | 71     | 1   | 914-6/4                 | (18) | 914 555 079 10 | backrest<br>passenger's side<br>leatherette/<br>cloth<br>please state the colour     | 71     | 1   | 914-6/4                 |
| 16   | 914 521 047 09 | seat cushion<br>passenger's side<br>leatherette<br>please state the colour | -70    | 1   | 914-6/4                 |      |                |  |        |     |                         |

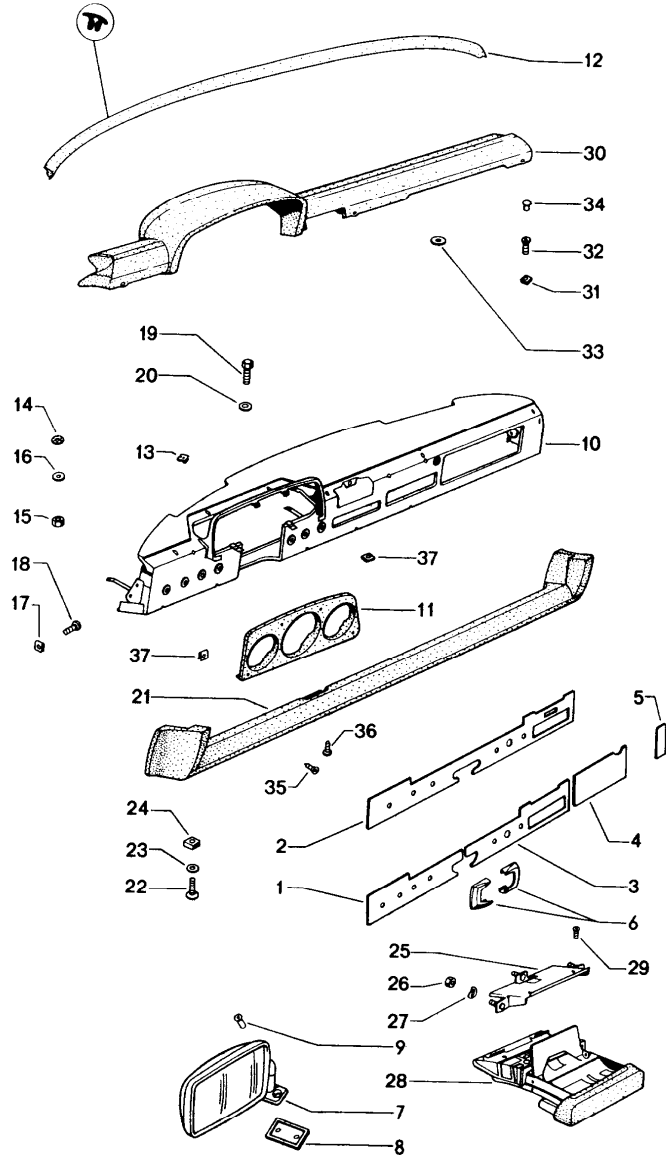
|       |      |    |    |              |              |     |              |            |         |     |         |
|-------|------|----|----|--------------|--------------|-----|--------------|------------|---------|-----|---------|
| Model | Year | MG | SG | Illustration | Restrictions | UPD | 18:26        | 30.01.2010 | PORSCHE | PET | PORSCHE |
| 914   | 1976 | 8  | 08 | 808-00       |              | 248 | USA / CANADA |            |         |     |         |

| Pos  | Part Number    | Description   | Remark | Qty | Model                   | Pos  | Part Number    | Description  | Remark | Qty | Model                       |
|------|----------------|---|--------|-----|-------------------------|------|----------------|--|--------|-----|-----------------------------|
| 19   | 914 559 037 10 | package box<br>needled felt<br>please state the colour                  |        | 1   | 914-6/4                 | (25) | 914 521 284 10 | spring<br>for<br>bellcrank<br>front seat<br>passenger's side | 72-    | 1   |                             |
| 19   | 914 559 038 10 | package box<br>loop pile<br>please state the colour                     |        | 1   | 914-6/4                 | 26   | 900 095 010 01 | tensioning sleeve<br>3,5 X 24                                |        | 2   |                             |
| 19   | 914 559 038 12 | package box<br>loop pile<br>please state the colour                     | -74    | 1   | 914-1,7/2,0             | 27   | 914 521 205 10 | bush   |        | 2   |                             |
| 19   | 914 559 038 13 | package box<br>loop pile<br>please state the colour                     | 75-    | 1   | 914-1,8V/1,8<br>914-2,0 | 28   | 914 559 035 10 | support<br>for<br>package box                                |        | 1   |                             |
| 20   | 914 521 041 10 | seat frame<br>front seat<br>driver's side<br>without<br>actuating lever | -73    | 1   | 914-6/4/1,7<br>914,2,0  | 29   | N 014 140 5    | oval-head screw<br>AM 6 X 15                                 |        | 2   |                             |
| 21   | 914 521 287 10 | bellcrank<br>front seat<br>driver's side<br>with<br>actuating lever     |        | 1   |                         | 30   | 900 151 006 09 | washer<br>6,4  |        | 2   |                             |
| (21) | 914 521 206 10 | bellcrank<br>front seat<br>passenger's side<br>with<br>actuating lever  | 72-    | 1   |                         | 31   | 900 143 029 02 | oval-head sheetmetal screw<br>BZ 4,2 X 16                    |        | 2   |                             |
| 22   | 914 521 249 10 | handle  |        | 2   |                         | 32   | 900 151 028 02 | washer<br>4,3  |        | 2   |                             |
| 23   | 914 521 219 10 | stop<br>seat adjuster<br>front seat<br>driver's side                    |        | 1   |                         | 33   | 999 507 401 40 | special nut  |        | 2   |                             |
| (23) | 914 521 220 10 | stop<br>seat adjuster<br>front seat<br>passenger's side                 | 72-    | 1   |                         | 34   | 900 145 062 02 | rais. counters. h. tap. s.<br>B 3,5 X 25                     |        | 1   |                             |
| 24   | 914 521 203 10 | bush<br>for<br>bellcrank  |        | 2   |                         | 35   | 999 591 102 12 | protection washer  |        | 1   |                             |
| 25   | 914 521 283 10 | spring<br>for<br>bellcrank<br>front seat<br>driver's side               |        | 1   |                         | 36   | 914 521 556 10 | package box<br>with<br>back seat                             |        | 1   | 914-1,7/1,8V<br>914-1,8/2,0 |
|      |                |   |        |     |                         | 36   | 914 521 556 12 | package box<br>with<br>back seat                             |        | 1   | 914-1,7/1,8V<br>914-1,8/2,0 |
|      |                |   |        |     |                         | 37   | 999 591 011 12 | washer   |        | 1   | 914-1,7/1,8V<br>914-1,8/2,0 |
|      |                |   |        |     |                         | 38   | 900 145 022 02 | rais. counters. h. tap. s.<br>B 3,9 X 19                     |        | 4   | 914-1,7/1,8V<br>914-1,8/2,0 |
|      |                |   |        |     |                         | 39   | 914 559 402 10 | centre console   |        | 1   | 914-1,7/1,8V<br>914-1,8/2,0 |
|      |                |   |        |     |                         | 40   | 999 507 401 40 | special nut  |        | 2   | 914-1,7/1,8V<br>914-1,8/2,0 |
|      |                |   |        |     |                         | 41   | 900 151 028 02 | washer<br>B 4,3  |        | 2   | 914-1,7/1,8V<br>914-1,8/2,0 |

|       |      |    |    |              |              |     |              |            |         |     |         |
|-------|------|----|----|--------------|--------------|-----|--------------|------------|---------|-----|---------|
| Model | Year | MG | SG | Illustration | Restrictions | UPD | 18:26        | 30.01.2010 | PORSCHE | PET | PORSCHE |
| 914   | 1976 | 8  | 08 | 808-00       |              | 248 | USA / CANADA |            |         |     |         |

| Pos | Part Number    | Description                               | Remark | Qty | Model                       | Pos | Part Number | Description | Remark | Qty | Model |
|-----|----------------|---|--------|-----|-----------------------------|-----|-------------|-------------|--------|-----|-------|
| 42  | 900 143 073 02 | oval-head sheetmetal screw<br>BZ 4,2 X 19 |        | 2   | 914-1,7/1,8V<br>914-1,8/2,0 |     |             |             |        |     |       |
| 43  | 900 143 073 02 | oval-head sheetmetal screw<br>BZ 4,2 X 19 |        | 2   | 914-1,7/1,8V<br>914-1,8/2,0 |     |             |             |        |     |       |

|       |      |    |    |              |              |     |              |            |         |     |         |
|-------|------|----|----|--------------|--------------|-----|--------------|------------|---------|-----|---------|
| Model | Year | MG | SG | Illustration | Restrictions | UPD | 18:26        | 30.01.2010 | PORSCHE | PET | PORSCHE |
| 914   | 1976 | 8  | 09 | 809-00       |              | 248 | USA / CANADA |            |         |     |         |



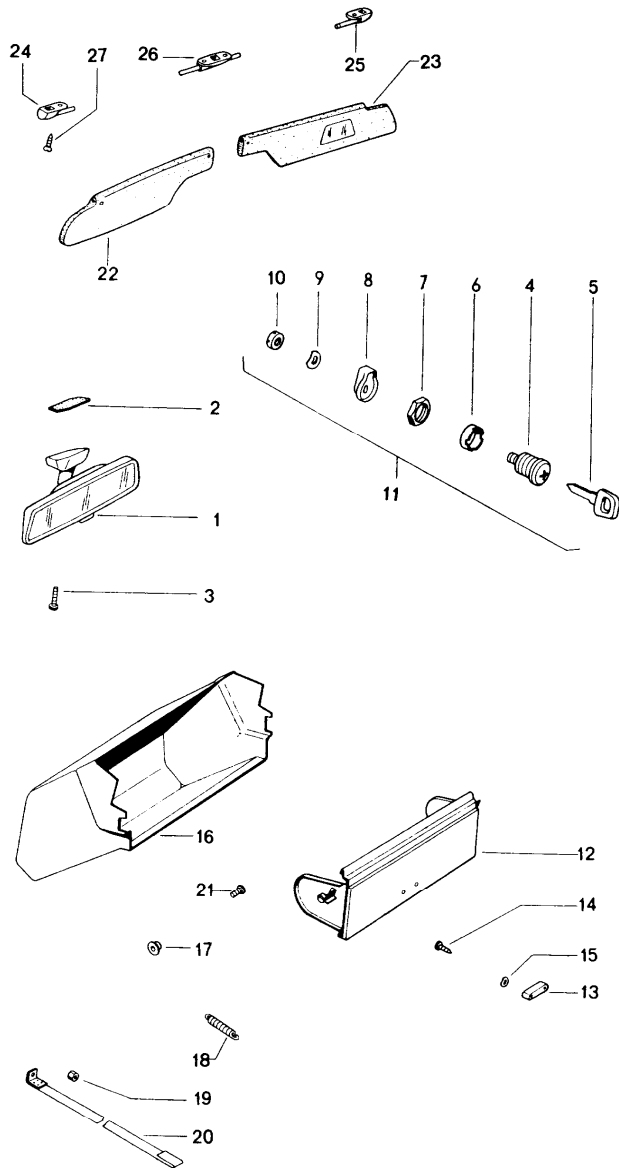
| Pos | Part Number    | Description   | Remark | Qty | Model                                  |
|-----|----------------|---|--------|-----|--|
| 1   | 914 552 063 10 | dashboard door mirror                                 |        |     |  |
| (1) | 914 552 035 10 | cover   | /L     | -71 | 1 914-6                                |
| 2   | 914 552 111 11 | cover<br>F >>47529 00010<br>F 47529 00011>>           | /L     | -71 | 1 914-4                                |
| 2   | 914 552 113 11 | cover<br>F >>47529 00010<br>F 47529 00011>>           |        | 72- | 1 914-4/1,7<br>914-1,8/2,0             |
| 2/1 | 914 552 025 12 | dashboard trim  |        |     | 1 914-1,8V/2,0                         |
| 2/1 | 914 552 042 11 | dashboard trim  |        |     | 1 914-1,8/2,0                          |
| 2/2 | 914 552 089 12 | cover<br>glove compartment cover                      |        |     | 1 914-1,8V/1,8<br>914-2,0              |
| 3   | 914 552 043 10 | cover<br>centre                                       | /L     | -71 | 1 914-6                                |
| 3   | 914 552 045 10 | cover<br>centre                                       | /L     | -71 | 1 914-4                                |
| (4) | 914 552 039 10 | cover<br>centre<br>radio                              | /R     | -71 | 1 914-6                                |
| (4) | 914 552 040 10 | cover<br>centre<br>F >>47529 00010<br>F 47529 00011>> | /R     |     | 1 914-4/1,7<br>914-1,8/1,8V<br>914-2,0 |
| -   | 914 552 444 10 | cover<br>opening for radio                            |        |     | 1 914-1,8V/1,8<br>914-2,0              |
| (4) | 914 552 040 10 | cover<br>centre<br>radio                              | /R     | 72- | 1 914-6                                |
| 4   | 914 552 049 10 | cover<br>centre                                       | /R     |     | 1                                      |
| 5   | 914 552 093 10 | cover   | /R     | -71 | 1 914-6/4                              |
| 6   | 914 552 241 10 | covering  |        | -71 | 2 914-6                                |
| 7   | 914 731 039 10 | door mirror   | /L     |     | 1                                      |
| (7) | 914 731 040 10 | door mirror<br>convex                                 | /R M   |     | 1                                      |

|       |      |    |    |              |              |     |              |            |         |     |         |
|-------|------|----|----|--------------|--------------|-----|--------------|------------|---------|-----|---------|
| Model | Year | MG | SG | Illustration | Restrictions | UPD | 18:26        | 30.01.2010 | PORSCHE | PET | PORSCHE |
| 914   | 1976 | 8  | 09 | 809-00       |              | 248 | USA / CANADA |            |         |     |         |

| Pos  | Part Number    | Description   | Remark | Qty | Model                       | Pos  | Part Number    | Description                               | Remark | Qty | Model   |
|------|----------------|---|--------|-----|-----------------------------|------|----------------|---|--------|-----|---------|
| 8    | 914 731 116 10 | desk pad  |        | 1   |                             | 24   | 999 507 314 12 | captive nut                               |        | 5   |         |
| 9    | 914 531 523 10 | rais. counters. h. tap. s.<br>AM 6 X 12 4,8<br>self-locking |        | 2   |                             | 25   | 914 552 087 10 | retaining bracket<br>for<br>ashtray       |        | 1   |         |
| -    | 914 552 267 10 | finger plate  |        | 1   |                             | 26   | N 011 004 6    | hexagon nut<br>M 4                        |        | 3   | 914-6   |
| 10   | 914 552 021 10 | bracket<br>for<br>instruments                               | -71    | 1   | 914-6                       | 26   | N 011 004 6    | hexagon nut<br>M 4                        |        | 4   |         |
| (10) | 914 552 022 10 | bracket<br>for<br>instruments                               | -71    | 1   | 914-4                       | 27   | N 012 224 3    | spring washer<br>B 4                      |        | 3   |         |
| (10) | 914 552 022 11 | bracket<br>for<br>instruments                               | 72-    | 1   |                             | 28   | 914 552 075 10 | ashtray<br>complete                       |        | 1   |         |
| 11   | 914 552 202 10 | dashboard trim  |        | 1   |                             | 29   | 900 143 063 02 | oval-head sheetmetal screw<br>B 3,9 X 9,5 |        | 2   |         |
| 12   | 914 552 263 10 | sealing frame   |        | 1   |                             | 30   | 914 552 031 12 | padding                                   |        | 1   |         |
| 13   | 999 507 228 00 | speed nut   |        | 6   |                             | 31   | N 015 429 2    | speed nut                                 |        | 2   |         |
| 14   | 999 704 122 50 | rubber base   |        | 4   |                             | 32   | 900 143 007 02 | tapping screw<br>B 4,2 X 13               |        | 2   |         |
| 15   | 900 076 010 02 | hexagon nut<br>M 6  |        | 4   |                             | 33   | 900 025 007 02 | washer<br>8,4                             |        | 9   |         |
| 16   | N 011 524 7    | washer<br>6,4   |        | 4   |                             | 33/1 | 900 076 026 40 | plastic nut<br>M 8                        |        | 9   |         |
| 17   | 999 591 355 02 | speed nut   |        | 4   |                             | 34   | 914 555 129 10 | stopper                                   |        | 2   |         |
| 18   | N 043 890 1    | tapping screw<br>B 4,2 X 9,5                                |        | 4   |                             | 35   | 900 145 058 02 | rais. counters. h. tap. s.<br>B 4,2 X 9,5 | -71    | 4   | 914-6/4 |
| 19   | 900 075 057 02 | hexagon-head bolt<br>M 6 X 16                               |        | 1   |                             | 35   | 900 145 060 02 | rais. counters. h. tap. s.<br>B 4,2 X 13  | 72-    | 4   |         |
| 20   | 900 151 006 09 | washer<br>B 6,4   |        | 1   |                             | 36   | 900 143 066 02 | oval-head sheetmetal screw<br>B 4,2 X 9,5 | -71    | 2   | 914-6/4 |
| 21   | 914 552 041 10 | knee protection strip                                       | -71    | 1   | 914-6/4                     | 36   | 900 143 070 02 | oval-head sheetmetal screw<br>B 4,2 X 13  | 72-    | 2   |         |
| (21) | 914 552 041 11 | knee protection strip                                       | 72-    | 1   | 914-6/4                     | 37   | N 015 429 2    | speed nut                                 |        | 6   |         |
| (21) | 914 552 041 12 | knee protection strip                                       |        | 1   | 914-1,7/1,8V<br>914-1,8/2,0 |      |                |   |        |     |         |
| 22   | N 014 140 5    | oval-head screw<br>AM 6 X 15                                |        | 5   |                             |      |                |   |        |     |         |
| 23   | 900 151 006 09 | washer<br>B 6,4   |        | 5   |                             |      |                |   |        |     |         |



|       |      |    |    |              |              |     |              |            |         |     |         |
|-------|------|----|----|--------------|--------------|-----|--------------|------------|---------|-----|---------|
| Model | Year | MG | SG | Illustration | Restrictions | UPD | 18:26        | 30.01.2010 | PORSCHE | PET | PORSCHE |
| 914   | 1976 | 8  | 09 | 809-05       |              | 248 | USA / CANADA |            |         |     |         |

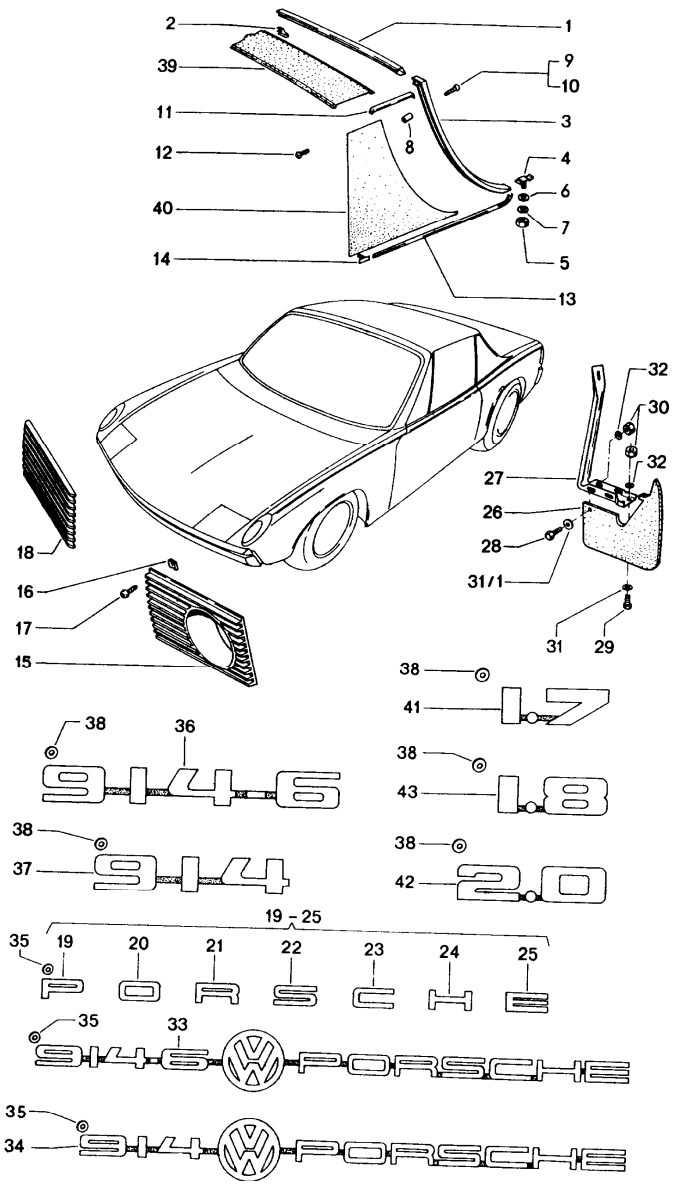


| Pos | Part Number    | Description   | Remark | Qty | Model   |
|-----|----------------|---|--------|-----|---------|
| 1   | 914 731 014 11 | interior mirror<br>glove compartment<br>sun visor                             |        |     |         |
|     |                | interior mirror<br>inner  | -71    | 1   | 914-6/4 |
| (1) | 914 731 014 11 | interior mirror<br>inner  | 72-    | 1   |         |
| 2   | 901 731 133 20 | adhesive plate<br>for<br>mirror base  |        | 1   |         |
| (2) | 914 731 025 10 | repair kit<br>for<br>mount<br>interior mirror                                 | 74-    | 1   |         |
| 3   | 900 014 098 10 | pan-head screw<br>AM 2,6 X 15   |        | 1   |         |
| 4   | 914 552 556 10 | cylinder lock<br>not available  |        | 1   |         |
| 5   | 914 531 637 10 | main key<br>state lock number   |        | 2   |         |
| 5   | 914 531 903 10 | blank key<br>for<br>main key  |        | 2   |         |
| 6   | 914 552 526 10 | spacer sleeve   |        | 1   |         |
| 7   | 914 552 557 10 | hexagon nut   |        | 1   |         |
| 8   | 901 552 552 21 | latch   |        | 1   |         |
| 9   | 914 552 559 10 | spring washer   |        | 1   |         |
| 10  | 914 552 558 10 | slotted nut   |        | 1   |         |
| 11  | 914 552 905 10 | glove compartment lock<br>with<br>2<br>main key<br>w/o stipulated lock number |        | 1   |         |
| 11  | 914 552 906 10 | glove compartment lock<br>with<br>2<br>main key<br>state lock number          |        | 1   |         |

|       |      |    |    |              |              |     |              |            |         |     |         |
|-------|------|----|----|--------------|--------------|-----|--------------|------------|---------|-----|---------|
| Model | Year | MG | SG | Illustration | Restrictions | UPD | 18:26        | 30.01.2010 | PORSCHE | PET | PORSCHE |
| 914   | 1976 | 8  | 09 | 809-05       |              | 248 | USA / CANADA |            |         |     |         |

| Pos | Part Number    | Description                                  | Remark | Qty | Model                       | Pos     | Part Number | Description                           | Remark | Qty | Model   |
|-----|----------------|--|--------|-----|-----------------------------|---------|-------------|---------------------------------------|--------|-----|---------|
| 12  | 914 552 051 10 | glove compartment cover with picture 13 - 15 | -71    | 1   | 914-6/4                     | 27      | N 014 093 3 | tapping screw B 4,2 X 13              | -70    | 4   | 914-6/4 |
| 12  | 914 552 051 11 | glove compartment cover with picture 13 - 15 | 72-    | 1   |                             | 27      | N 014 095 1 | counters. head tapp. screw B 4,2 X 19 | 71-    | 4   |         |
| 13  | 914 552 086 10 | handle                                       |        | 1   |                             |         |             |                                       |        |     |         |
| 14  | 900 146 021 02 | oval-head screw AM 3 X 8                     |        | 2   |                             |         |             |                                       |        |     |         |
| 15  | 900 028 006 01 | spring washer B 3                            |        | 2   |                             |         |             |                                       |        |     |         |
| 16  | 914 552 501 10 | glove compartment                            | -71    | 1   | 914-6/4                     |         |             |                                       |        |     |         |
| 16  | 914 552 501 11 | glove compartment                            | 72-    | 1   |                             |         |             |                                       |        |     |         |
| 17  | 914 552 253 10 | spacer                                       |        | 2   |                             |         |             |                                       |        |     |         |
| 18  | 914 552 515 00 | tension spring                               |        | 2   |                             |         |             |                                       |        |     |         |
| 19  | 900 076 027 02 | hexagon nut M 5                              |        | 1   |                             |         |             |                                       |        |     |         |
| -   | N 012 225 2    | spring washer B 5                            |        | 1   |                             |         |             |                                       |        |     |         |
| 20  | 914 552 055 10 | restraining strap                            |        | 1   |                             |         |             |                                       |        |     |         |
| 21  | 900 072 001 02 | oval-head screw M 6 X 12                     |        | 2   |                             |         |             |                                       |        |     |         |
| 22  | 901 731 017 10 | sun visor                                    | /L     | 1   | 914-6/4                     |         |             |                                       |        |     |         |
| 22  | 914 731 043 12 | sun visor                                    | /L     | 1   | 914-1,7/1,8V<br>914-1,8/2,0 |         |             |                                       |        |     |         |
| 23  | 901 731 018 10 | sun visor                                    | /R     | 1   | 914-6/4                     |         |             |                                       |        |     |         |
| 23  | 914 731 044 12 | sun visor                                    | /R     | 1   | 914-1,7/1,8V<br>914-1,8/2,0 |         |             |                                       |        |     |         |
| 24  | 901 731 323 41 | bearing                                      | /L     | -70 | 1                           | 914-6/4 |             |                                       |        |     |         |
| 24  | 911 731 323 40 | support                                      | /L     | 71- | 1                           |         |             |                                       |        |     |         |
| 25  | 901 731 324 41 | bearing                                      | /R     | -70 | 1                           | 914-6/4 |             |                                       |        |     |         |
| 25  | 911 731 324 40 | support                                      | /R     | 71- | 1                           |         |             |                                       |        |     |         |
| 26  | 914 731 327 10 | bearing bracket                              |        | 1   |                             |         |             |                                       |        |     |         |

|       |      |    |    |              |              |     |              |            |         |     |         |
|-------|------|----|----|--------------|--------------|-----|--------------|------------|---------|-----|---------|
| Model | Year | MG | SG | Illustration | Restrictions | UPD | 18:26        | 30.01.2010 | PORSCHE | PET | PORSCHE |
| 914   | 1976 | 8  | 10 | 810-00       |              | 248 | USA / CANADA |            |         |     |         |



| Pos | Part Number    | Description                              | Remark | Qty | Model                                |
|-----|----------------|--|--------|-----|--------------------------------------|
|     |                | decorative fittings                      |        |     |                                      |
| 1   | 914 559 103 10 | moulding<br>centre<br>anodised           |        | 1   | 914-6                                |
| 1   | 914 559 104 10 | moulding<br>centre<br>prime coated       |        | 1   | 914-4/1,7<br>914-1,8/1,8V<br>914-2,0 |
| (1) | 914 559 103 10 | moulding<br>centre<br>anodised           |        | 1   | 914-4/1,7<br>914-1,8/1,8V<br>914-2,0 |
| 2   | 914 559 223 10 | moulding clip                            |        | 3   |                                      |
| 3   | 914 559 101 10 | moulding<br>anodised                     | /L     | 1   | 914-6                                |
| 3   | 914 559 101 10 | moulding<br>anodised                     | /L M   | 1   |                                      |
| (3) | 914 559 102 10 | moulding<br>anodised                     | /R     | 1   | 914-6                                |
| (3) | 914 559 102 10 | moulding<br>anodised                     | /R M   | 1   |                                      |
| (3) | 914 559 107 10 | moulding<br>prime coated                 | /L     | 1   | 914-4/1,7<br>914-1,8/1,8V<br>914-2,0 |
| (3) | 914 559 108 10 | moulding<br>prime coated                 | /R     | 1   | 914-4/1,7<br>914-1,8/1,8V<br>914-2,0 |
| 4   | 914 559 011 10 | clamping screw                           |        | 2   |                                      |
| 5   | 900 076 004 01 | hexagon nut<br>M 5                       |        | 2   |                                      |
| 6   | 900 025 003 02 | washer<br>5,3                            |        | 2   |                                      |
| 7   | 900 027 003 01 | lock ring<br>A 5                         |        | 2   |                                      |
| 8   | 914 559 225 10 | spacer                                   |        | 2   |                                      |
| 9   | 900 145 050 02 | rais. counters. h. tap. s.<br>B 2,9 X 19 |        | 2   | 914-6                                |
| 9   | 900 145 050 02 | rais. counters. h. tap. s.<br>B 2,9 X 19 |        | 2   | 914-4/1,7<br>914-1,8/1,8V<br>914-2,0 |

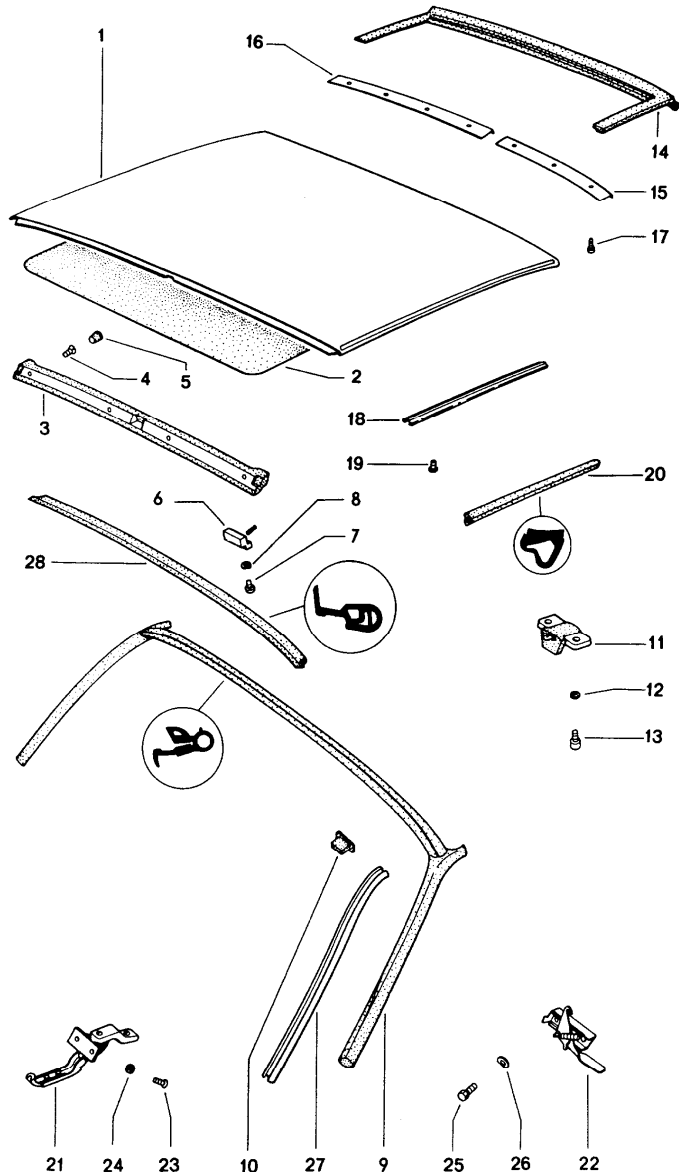
|       |      |    |    |              |              |     |              |            |         |     |         |
|-------|------|----|----|--------------|--------------|-----|--------------|------------|---------|-----|---------|
| Model | Year | MG | SG | Illustration | Restrictions | UPD | 18:26        | 30.01.2010 | PORSCHE | PET | PORSCHE |
| 914   | 1976 | 8  | 10 | 810-00       |              | 248 | USA / CANADA |            |         |     |         |

| Pos  | Part Number    | Description  | Remark | Qty | Model                                | Pos                      | Part Number    | Description  | Remark                         | Qty | Model                       |                             |
|------|----------------|--|--------|-----|--------------------------------------|--------------------------|----------------|--|--------------------------------|-----|-----------------------------|-----------------------------|
| 10   | 900 145 050 00 | rais. counters. h. tap. s.<br>B 2,9 X 19                 |        | 2   | 914-4/1,7<br>914-1,8/1,8V<br>914-2,0 | (18)                     | 914 559 260 10 | grille<br>prime coated<br>not for<br>additional headlamp | /R                             | 1   | 914-4                       |                             |
| -    | 914 559 121 10 | adhesive tape<br>9 X 1,6 X25                             |        | 2   |                                      | 9-25                     | 901 559 301 22 | PORSCHE logo<br>gold-coloured                            |                                | 1   | 914-6/4                     |                             |
| 11   | 914 559 017 10 | covering plate   | /L     | 1   |                                      | 9-25                     | 901 559 902 00 | PORSCHE logo<br>chrome                                   |                                | 1   | 914-1,7/1,8<br>914-1,8      |                             |
| (11) | 914 559 018 10 | covering plate   | /R     | 1   |                                      | 26                       | 914 559 309 10 | mud flap   |                                | 2   |                             |                             |
| 12   | 900 143 057 00 | rais. counters. h. tap. s.<br>B 2,9 X 9,5                |        | 4   |                                      | 27                       | 914 559 303 10 | retaining bar  | /L                             | 1   | 914-6/4                     |                             |
| 13   | 914 559 109 10 | moulding   | /L     | 1   | 914-6                                | 27                       | 914 559 311 10 | retaining bar  | /L                             | 1   | 914-1,7/1,8V<br>914-1,8/2,0 |                             |
| 13   | 914 559 109 10 | moulding   | /L     | M   | 1                                    | (27)                     | 914 559 304 10 | retaining bar  | /R                             | 1   | 914-6/4                     |                             |
| (13) | 914 559 110 10 | moulding   | /R     | 1   | 914-6                                | (27)                     | 914 559 312 10 | retaining bar  | /R                             | 1   | 914-1,7/1,8V<br>914-1,8/2,0 |                             |
| (13) | 914 559 110 10 | moulding   | /R     | M   | 1                                    |                          |                |  |                                |     |                             |                             |
| 14   | 999 591 326 02 | moulding clip  |        | 8   | 914-6                                | 28                       | N 010 264 4    | hexagon-head bolt<br>M 5 X 20                            |                                | 4   |                             |                             |
| 14   | 999 591 326 01 | moulding clip  |        | 8   |                                      | 29                       | N 010 207 6    | hexagon-head bolt<br>M 5 X 12                            |                                | 6   |                             |                             |
| 14   | 999 591 326 02 | moulding clip  |        | 8   |                                      | 30                       | 900 076 027 02 | hexagon nut<br>M 5                                       |                                | 10  |                             |                             |
| 16   | N 900 488 01   | speed nut<br>B 3,5                                       |        | -74 | 8                                    | 31                       | N 011 524 7    | washer<br>5,3  |                                | 10  | 914-6/4                     |                             |
| 17   | 900 143 033 02 | oval-head sheetmetal screw<br>B 3,5 X 13                 |        | -73 | 8                                    | 31                       | N 011 524 7    | washer<br>5,3  |                                | 6   | 914-1,7/1,8V<br>914-1,8/2,0 |                             |
| 17   | N 013 959 3    | tapping screw<br>B 3,5 X 16                              |        | 74  | 8                                    | 31/1                     | 900 151 027 02 | washer<br>B 5,3  |                                | 4   | 914-1,7/1,8V<br>914-1,8/2,0 |                             |
| 23   | 900 143 016 01 | tapping screw<br>B 3,5 X 16                              |        | 8   |                                      | 32                       | N 012 005 3    | lock ring<br>B 5   |                                | 10  |                             |                             |
| 18   | 914 559 257 10 | grille<br>chrome<br>not for<br>additional headlamp       | /L     | -74 | 1                                    | 914-6/1,7<br>914-1,8/2,0 | 33             | 914 559 112 10   | logo<br>- VW-PORSCHE-          | 1   | 914-6                       |                             |
| (18) | 914 559 259 10 | grille<br>prime coated<br>not for<br>additional headlamp | /L     | 1   | 914-4                                | 34                       | 914 559 111 10 | logo<br>- VW-PORSCHE-<br>gold-coloured                   |                                | 1   | 914-4                       |                             |
| (18) | 914 559 258 10 | grille<br>chrome<br>not for<br>additional headlamp       | /R     | -74 | 1                                    | 914-6/1,7<br>914-1,8/2,0 | 34             | 914 559 289 10   | logo<br>- VW-PORSCHE-<br>black | -73 | 1                           | 914-1,7/1,8V<br>914-1,8/2,0 |
|      |                |  |        |     |                                      | 35                       | 999 591 423 03 | tapping nut  |                                | 21  | 914-6/4                     |                             |

|       |      |    |    |              |              |     |              |            |         |     |         |
|-------|------|----|----|--------------|--------------|-----|--------------|------------|---------|-----|---------|
| Model | Year | MG | SG | Illustration | Restrictions | UPD | 18:26        | 30.01.2010 | PORSCHE | PET | PORSCHE |
| 914   | 1976 | 8  | 10 | 810-00       |              | 248 | USA / CANADA |            |         |     |         |

| Pos  | Part Number    | Description                      | Remark | Qty | Model                       | Pos | Part Number | Description | Remark | Qty | Model |
|------|----------------|----------------------------------|--------|-----|-----------------------------|-----|-------------|-------------|--------|-----|-------|
| 35   | 999 591 423 03 | tapping nut                      |        | 14  | 914-1,7/1,8V<br>914-1,8/2,0 |     |             |             |        |     |       |
| 35   | 999 591 423 03 | tapping nut                      |        | 7   | 914-1,7/1,8V<br>914-1,8/2,0 |     |             |             |        |     |       |
| 36   | 914 559 114 10 | logo<br>914-6                    |        | 1   | 914-6                       |     |             |             |        |     |       |
| 37   | 914 559 113 10 | logo<br>914<br>gold-coloured     |        | 1   |                             |     |             |             |        |     |       |
| 37   | 914 559 287 11 | logo<br>914<br>black             |        | 1   |                             |     |             |             |        |     |       |
| 38   | 999 591 211 01 | tapping nut                      |        | 3   | 914-6                       |     |             |             |        |     |       |
| 38   | 999 591 211 01 | tapping nut                      |        | 2   | 914-4                       |     |             |             |        |     |       |
| 38   | 999 591 211 01 | tapping nut                      |        | 4   | 914-1,7/1,8V<br>914-1,8/2,0 |     |             |             |        |     |       |
| 39   | 914 559 263 10 | lining<br>centre                 |        | 1   | 914-6                       |     |             |             |        |     |       |
| 39   | 914 559 263 10 | lining<br>centre                 |        | 1   |                             |     |             |             |        |     |       |
| 40   | 914 559 265 10 | lining                           | /L     | 1   | 914-6                       |     |             |             |        |     |       |
| 40   | 914 559 265 10 | lining                           | /L M   | 1   |                             |     |             |             |        |     |       |
| (40) | 914 559 266 10 | lining                           | /R     | 1   | 914-6                       |     |             |             |        |     |       |
| (40) | 914 559 266 10 | lining                           | /R M   | 1   |                             |     |             |             |        |     |       |
| 41   | 914 559 115 10 | logo<br>1,7                      |        | 1   | 914-1,7                     |     |             |             |        |     |       |
| 42   | 914 559 120 11 | logo<br>2,0                      | -74    | 1   | 914-2,0                     |     |             |             |        |     |       |
| 43   | 914 559 459 10 | logo<br>1,8                      | -74    | 1   | 914-1,8V/1,8                |     |             |             |        |     |       |
| -    | 914 559 293 10 | logo<br>914-1,8<br>adhesive film | 75-    | 1   | 914-1,8                     |     |             |             |        |     |       |
| -    | 914 559 293 11 | logo<br>914-2,0<br>adhesive film | 75-    | 1   | 914-2,0                     |     |             |             |        |     |       |

|       |      |    |    |              |              |     |              |            |         |     |         |
|-------|------|----|----|--------------|--------------|-----|--------------|------------|---------|-----|---------|
| Model | Year | MG | SG | Illustration | Restrictions | UPD | 18:27        | 30.01.2010 | PORSCHE | PET | PORSCHE |
| 914   | 1976 | 8  | 11 | 811-00       |              | 248 | USA / CANADA |            |         |     |         |

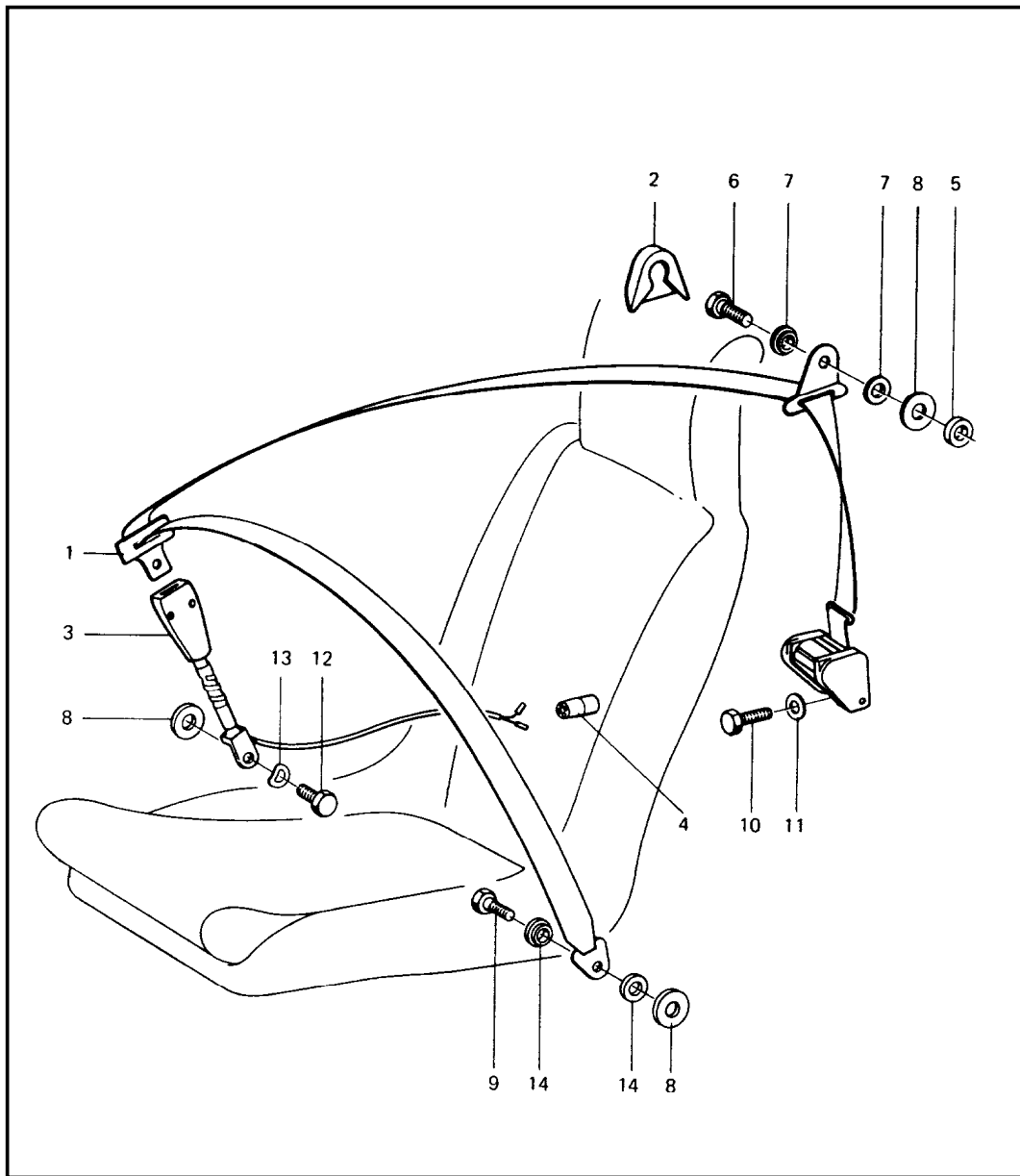


| Pos | Part Number    | Description                                       | Remark | Qty | Model                       |
|-----|----------------|---|--------|-----|-----------------------------|
| (1) | 914 563 901 10 | roof<br>roof with picture 18 - 19 F >>47329 26221 | -73    | 1   | 914-6/4/1,7<br>914-2,0      |
| (1) | 914 563 901 11 | roof with picture 18 - 19 F 47329 26222>>         | 73-    | 1   | 914-1,8V/1,8<br>914-2,0     |
| 2   | 914 563 321 11 | rooflining inner F >>47329 26221                  | -73    | 1   | 914-6/4/1,7<br>914-2,0      |
| 2   | 914 563 321 13 | rooflining inner F 47329 26222>>                  | 73-    | 1   | 914-1,8V/1,8<br>914-1,8     |
| 3   | 914 563 021 12 | padding   | /V     | 1   | 914-6/4                     |
| 3   | 914 563 021 12 | padding F >>47329 26221                           | /V -73 | 1   | 914-1,7/1,8V<br>914-1,8/2,0 |
| 3   | 914 563 021 13 | padding F 47329 26222>>                           | /V 73- | 1   | 914-1,8V/1,8<br>914-2,0     |
| 4   | N 013 957 5    | tapping screw B 3,5 X 9,5                         |        | 4   |                             |
| 5   | 999 703 077 40 | cap   |        | 4   |                             |
| 5   | 914 552 233 10 | filler piece                                      |        | 4   |                             |
| 6   | 914 563 812 00 | centring wedge                                    |        | 1   |                             |
| 7   | N 033 165 1    | countersunk-head screw AM 4 X 8                   |        | 2   |                             |
| 8   | 900 114 006 01 | shake-proof washer A 4,3                          |        | 2   |                             |
| 9   | 914 563 035 10 | seal windscreen frame                             | /V -73 | 1   | 914-6/4/1,7<br>914-2,0      |
| 9   | 914 563 039 10 | seal windscreen frame                             | /V 74- | 1   | 914-1,8V/1,8<br>914-2,0     |
| 10  | 914 559 239 10 | filler piece for ski rack                         |        | 2   |                             |

|       |      |    |    |              |              |     |              |            |         |     |         |
|-------|------|----|----|--------------|--------------|-----|--------------|------------|---------|-----|---------|
| Model | Year | MG | SG | Illustration | Restrictions | UPD | 18:27        | 30.01.2010 | PORSCHE | PET | PORSCHE |
| 914   | 1976 | 8  | 11 | 811-00       |              | 248 | USA / CANADA |            |         |     |         |

| Pos  | Part Number    | Description  | Remark   | Qty | Model                   | Pos  | Part Number    | Description  | Remark  | Qty | Model                                |
|------|----------------|--|----------|-----|-------------------------|------|----------------|--|---------|-----|--------------------------------------|
| 11   | 914 563 033 10 | silentbloc bearing   |          | 2   | 914-6/4                 | -    | 900 151 019 02 | washer<br>B 3,2  |         | 2   |                                      |
| 11   | 914 563 033 19 | silentbloc bearing   |          | 2   | 914-1,7/1,8V            |      |                |  |         |     | 914-2,0                              |
| -    | 914 563 317 10 | desk pad<br>for<br>silentbloc bearing  |          | X   | 914-1,8/2,0             | 20   | 914 531 185 10 | gasket   | /L      | 74- | 1 914-1,8V/1,8<br>914-2,0<br>914-2,0 |
| 12   | N 042 121 3    | shake-proof washer<br>A 6,4  |          | 4   |                         | (20) | 914 531 186 10 | gasket   | /R<br>- | 74- | 1 914-1,8V/1,8<br>914-2,0            |
| 13   | 900 186 006 01 | pan-head screw<br>M 6 X 12   |          | 4   |                         | 21   | 914 563 071 10 | catch  | /V      |     | 2                                    |
| 14   | 914 563 077 11 | gasket<br>for<br>roll bar<br>F >>47329 26221   | /H<br>/H | -73 | 914-6/4/1,7<br>914-2,0  | (22) | 914 563 081 11 | catch  | /H/L    |     | 1                                    |
| 14   | 914 563 077 11 | gasket<br>for<br>roll bar<br>not available<br>914.563.077.10<br>use<br>F 47329 26222>> | /H       | 73- | 914-1,8V/1,8<br>914-2,0 | (22) | 914 563 082 11 | catch  | /H/R    |     | 1                                    |
| 14   | 914 563 077 11 | gasket<br>for<br>roll bar<br>not available<br>914.563.077.10<br>use<br>F 47329 26222>> | /H       | 73- | 914-1,8V/1,8<br>914-2,0 | 23   | 900 148 012 02 | rais. counters. h. tap. s.<br>AM 5 X 15<br>F >>47329 26221 |         | -73 | 4 914-6/4/1,7<br>914-2,0             |
| 14   | 914 563 077 11 | gasket<br>for<br>roll bar<br>not available<br>914.563.077.10<br>use<br>F 47329 26222>> | /H       | 73- | 914-1,8V/1,8<br>914-2,0 | 23   | 999 148 005 04 | screw<br>AM 5 X 12<br>F 47329 26222>>                      |         | 73- | 4 914-1,8V/1,8<br>914-2,0            |
| 15   | 914 563 127 10 | attachment strip   | /L       | 1   |                         | 24   | 900 115 011 01 | serrated lock washer<br>V 5,3                              |         |     | 4                                    |
| -    | 914 563 203 10 | attachment strip<br>lateral<br>F 47329 26222>>   | /L       | 73- | 914-1,8V/1,8<br>914-2,0 | 25   | 900 075 010 02 | hexagon-head bolt<br>M 6 X 12                              |         |     | 4                                    |
| 16   | 914 563 128 10 | attachment strip   | /R       | 1   |                         | 26   | 900 028 003 01 | spring washer<br>B 6                                       |         |     | 4                                    |
| -    | 914 563 204 10 | attachment strip<br>lateral<br>F 47329 26222>>   | /R       | 73- | 914-1,8V/1,8<br>914-2,0 | 27   | 914 531 824 11 | retaining strip  | /L      | -73 | 1 914-6/4/1,7<br>914-2,0             |
| 17   | N 013 958 7    | tapping screw<br>B 3,5 X 13<br>F >>47329 26221   |          | -73 | 914-6/4/1,7<br>914-2,0  | (27) | 914 531 823 11 | attachment strip   | /L      | 74- | 1 914-1,8V/1,8<br>914-2,0            |
| 17   | N 013 957 5    | tapping screw<br>B 3,5 X 9,5<br>F 47329 26222>>  |          | 73- | 914-1,8V/1,8<br>914-2,0 | (27) | 914 531 824 10 | attachment strip   | /R      | -73 | 1 914-6/4/1,7<br>914-2,0             |
| 17   | N 013 957 5    | tapping screw<br>B 3,5 X 9,5<br>F 47329 26222>>  |          | 73- | 914-1,8V/1,8<br>914-2,0 | (27) | 914 531 824 11 | attachment strip   | /R      | 74- | 1 914-1,8V/1,8<br>914-2,0            |
| 18   | 914 531 865 10 | attachment strip   | /L       | 1   |                         | 28   | 914 563 319 10 | gasket<br>lower  |         |     | 1                                    |
| (18) | 914 531 866 10 | attachment strip   | /R       | 1   |                         | -    | 999 703 087 40 | cap<br>mount<br>ski rack<br>rear                           |         |     | 6                                    |
| 19   | N 013 953 2    | tapping screw<br>B 2,9 X 9,5   |          | 8   |                         |      |                |  |         |     |                                      |
| 19   | N 013 954 2    | oval-head sheetmetal screw<br>B 2,9 X 13   |          | 2   |                         |      |                |  |         |     |                                      |

|       |      |    |    |              |              |     |              |            |         |     |         |
|-------|------|----|----|--------------|--------------|-----|--------------|------------|---------|-----|---------|
| Model | Year | MG | SG | Illustration | Restrictions | UPD | 18:27        | 30.01.2010 | PORSCHE | PET | PORSCHE |
| 914   | 1976 | 8  | 12 | 812-00       |              | 248 | USA / CANADA |            |         |     |         |



| Pos | Part Number    | Description   | Remark  | Qty | Model                    |
|-----|----------------|---|---------|-----|--------------------------|
|     |                | seat belt   |         |     |                          |
|     |                | seat belt with automatic and warning contact                                | 72-     |     |                          |
| 1   | 914 803 903 10 | three-point seat belt with automatic installation set with picture 2, 6 + 7 | /L -73  | 1   | 914-4/1,7<br>914-2,0     |
| 1   | 914 803 181 11 | three-point seat belt with automatic  | /L -74- | 1   | 914-1,8/2,0              |
| (1) | 914 803 904 10 | three-point seat belt with automatic installation set with picture 2, 6 + 7 | /R -73  | 1   | 914-4/1,7<br>914-2,0     |
| (1) | 914 803 182 11 | three-point seat belt with automatic  | /R -74- | 1   | 914-1,8/2,0              |
| 2   | 901 803 134 20 | cap   | -73     | 2   | 914-4/1,7<br>914-2,0     |
| (2) | 111 857 719 G  | cap   | -74-    | 2   | 914-1,8/2,0              |
| 3   | 914 803 183 11 | seat belt buckle with push button   | -73     | 2   | 914-4/1,7<br>914-2,0     |
| (3) | 914 803 183 11 | seat belt buckle with push button   | -74-    | 2   | 914-1,8/2,0              |
| 4   | 914 612 323 00 | pin connector socket  | -73     | 1   | 914-4/1,7<br>914-2,0     |
| 5   | 914 803 137 10 | spacer tube   |         | 2   | 914-4/1,7<br>914-1,8/2,0 |
| 6   | 901 803 146 00 | fastening screw   | -73     | 2   | 914-4/1,7<br>914-2,0     |
| (6) | 111 857 793 E  | fastening screw   | -74-    | 2   | 914-1,8/2,0              |



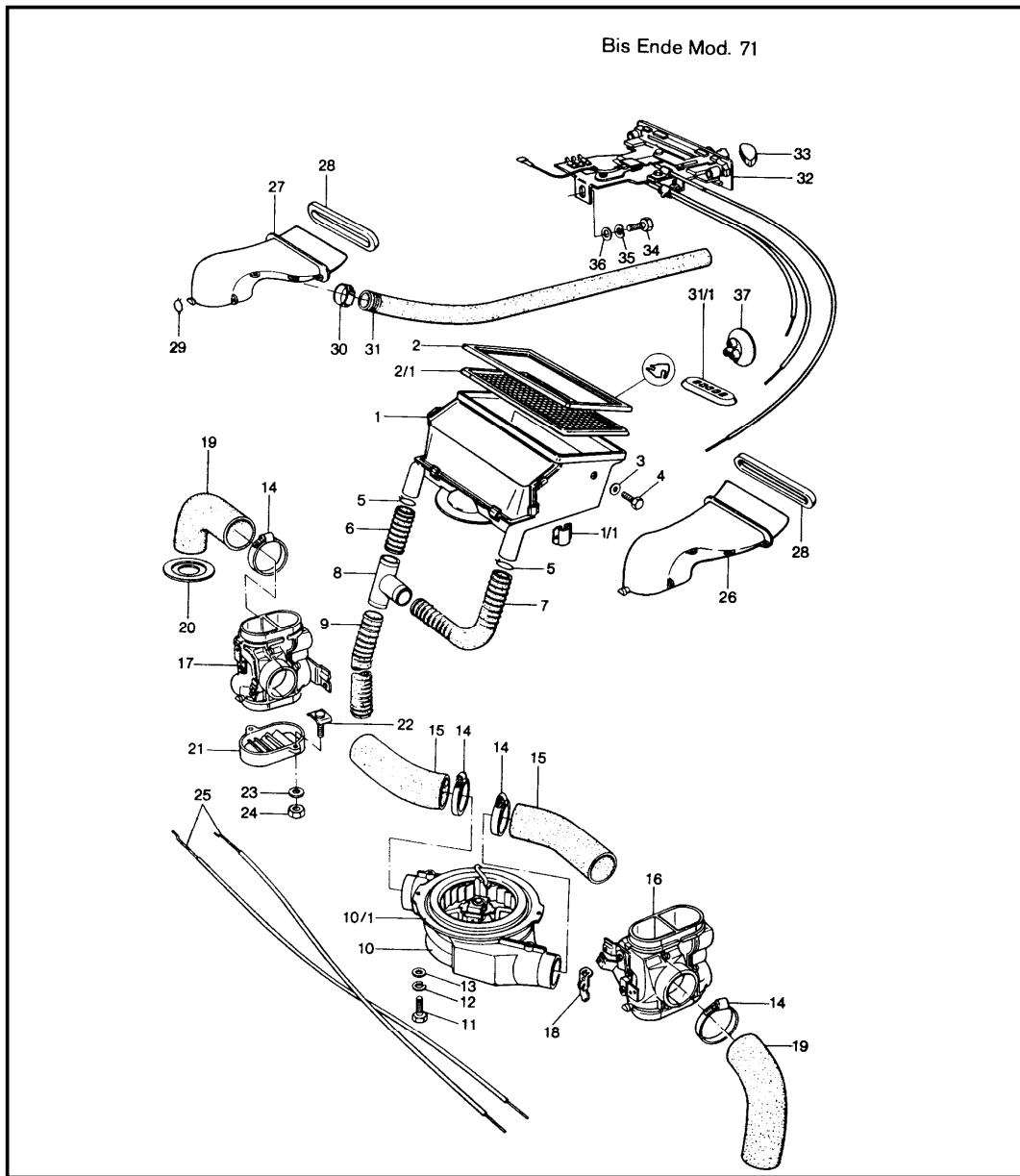
|       |      |    |    |              |              |     |              |            |         |     |         |
|-------|------|----|----|--------------|--------------|-----|--------------|------------|---------|-----|---------|
| Model | Year | MG | SG | Illustration | Restrictions | UPD | 18:27        | 30.01.2010 | PORSCHE | PET | PORSCHE |
| 914   | 1976 | 8  | 12 | 812-00       |              | 248 | USA / CANADA |            |         |     |         |

| Pos  | Part Number      | Description                          | Remark | Qty | Model                    | Pos | Part Number      | Description  | Remark | Qty | Model     |
|------|------------------|--------------------------------------|--------|-----|--------------------------|-----|------------------|--|--------|-----|-----------|
| 7    | 901 803 147 00   | washer                               | -73    | 4   | 914-4/1,7<br>914-2,0     | -   | 914 803 141 10   | retaining bar  |        | 1   | 914-6/4   |
| (7)  | 211 857 771      | washer                               | 74-    | 4   | 914-1,8/2,0              | -   | 900 145 002 02   | rais. counters. h. tap. s.<br>B 2,9 X 9,5              |        | 4   | 914-6/4   |
| 8    | 111 857 707 A    | spacer                               |        | 6   | 914-4/1,7<br>914-1,8/2,0 | -   | 901 803 119 20   | fastening screw<br>tunnel                              |        | 1   | 914-6/4   |
| 9    | 901 803 119 22   | fastening screw                      | -73    | 2   | 914-4/1,7<br>914-2,0     | >>  | >>914 803 018 10 | three-point seat belt<br>comprising:                   | /R     | -71 | 1 914-6/4 |
| 9    | 111 857 793 E    | fastening screw                      | 74-    | 2   | 914-1,8/2,0              | -   | 914 803 130 10   | belt<br>with<br>lock                                   | /R     |     | 1 914-6/4 |
| 10   | 111 857 799      | screw                                |        | 2   | 914-4/1,7<br>914-1,8/2,0 | -   | 914 803 133 10   | belt<br>with<br>tab                                    |        | 1   | 914-6/4   |
| 11   | 999 523 109 02   | lock washer                          |        | 2   | 914-4/1,7<br>914-1,8/2,0 | -   | 914 803 137 10   | spacer tube  |        | 1   | 914-6/4   |
| 12   | 901 803 119 20   | fastening screw                      | -73    | 2   | 914-4/1,7<br>914-2,0     | -   | 901 803 119 21   | fastening screw<br>roll bar                            |        | 1   | 914-6/4   |
| 12   | 914 803 468 10   | screw                                | 74-    | 2   | 914-1,8/2,0              | -   | 111 857 771 A    | washer   |        | 6   | 914-6/4   |
| 13   | 900 028 026 01   | spring washer<br>B 14                |        | 2   | 914-4/1,7<br>914-1,8/2,0 | -   | 111 857 707 A    | spacer   |        | 3   | 914-6/4   |
| 14   | 111 857 771 A    | washer                               | -73    | 4   | 914-4/1,7<br>914-2,0     | -   | 111 857 719 C    | cap  |        | 1   | 914-6/4   |
| (14) | 211 857 771      | washer                               | 74-    | 4   | 914-1,8/2,0              | -   | 901 803 119 22   | fastening screw<br>side member                         |        | 1   | 914-6/4   |
| >>   | >>914 803 017 10 | three-point seat belt<br>comprising: | /L     | -71 | 1 914-6/4                | -   | 914 803 141 10   | retaining bar  |        | 1   | 914-6/4   |
| -    | 914 803 129 10   | belt<br>with<br>lock                 | /L     | 1   | 914-6/4                  | -   | 900 145 002 02   | rais. counters. h. tap. s.<br>B 2,9 X 9,5              |        | 4   | 914-6/4   |
| -    | 914 803 133 10   | belt<br>with<br>tab                  |        | 1   | 914-6/4                  | -   | 901 803 119 20   | fastening screw<br>tunnel                              |        | 1   | 914-6/4   |
| -    | 914 803 137 10   | spacer tube                          |        | 1   | 914-6/4                  | >>  | >>914 803 025 10 | seat belt<br>seat<br>centre<br>lap belt<br>comprising: | -71    | 1   | 914-6/4   |
| -    | 901 803 119 21   | fastening screw<br>roll bar          |        | 1   | 914-6/4                  | -   | 914 803 113 10   | belt<br>with<br>lock                                   |        | 1   | 914-6/4   |
| -    | 111 857 771 A    | washer                               |        | 6   | 914-6/4                  | -   | 914 803 114 10   | belt<br>with<br>tab                                    |        | 1   | 914-6/4   |
| -    | 111 857 707 A    | spacer                               |        | 3   | 914-6/4                  | -   | 111 857 799 A    | fastening screw  |        | 2   | 914-6/4   |
| -    | 111 857 719 C    | cap                                  |        | 1   | 914-6/4                  |     |                  |  |        |     |           |
| -    | 901 803 119 22   | fastening screw<br>side member       |        | 1   | 914-6/4                  |     |                  |  |        |     |           |

|       |      |    |    |              |              |     |              |            |         |     |         |
|-------|------|----|----|--------------|--------------|-----|--------------|------------|---------|-----|---------|
| Model | Year | MG | SG | Illustration | Restrictions | UPD | 18:27        | 30.01.2010 | PORSCHE | PET | PORSCHE |
| 914   | 1976 | 8  | 12 | 812-00       |              | 248 | USA / CANADA |            |         |     |         |

| Pos | Part Number    | Description           | Remark | Qty | Model   | Pos | Part Number | Description | Remark | Qty | Model |
|-----|----------------|-----------------------|--------|-----|---------|-----|-------------|-------------|--------|-----|-------|
| -   | 111 857 707 A  | spacer                |        | 2   | 914-6/4 |     |             |             |        |     |       |
| -   | 900 028 014 02 | spring washer<br>B 12 |        | 2   | 914-6/4 |     |             |             |        |     |       |

|       |      |    |    |              |              |     |              |            |         |     |         |
|-------|------|----|----|--------------|--------------|-----|--------------|------------|---------|-----|---------|
| Model | Year | MG | SG | Illustration | Restrictions | UPD | 18:27        | 30.01.2010 | PORSCHE | PET | PORSCHE |
| 914   | 1976 | 8  | 13 | 813-00       |              | 248 | USA / CANADA |            |         |     |         |

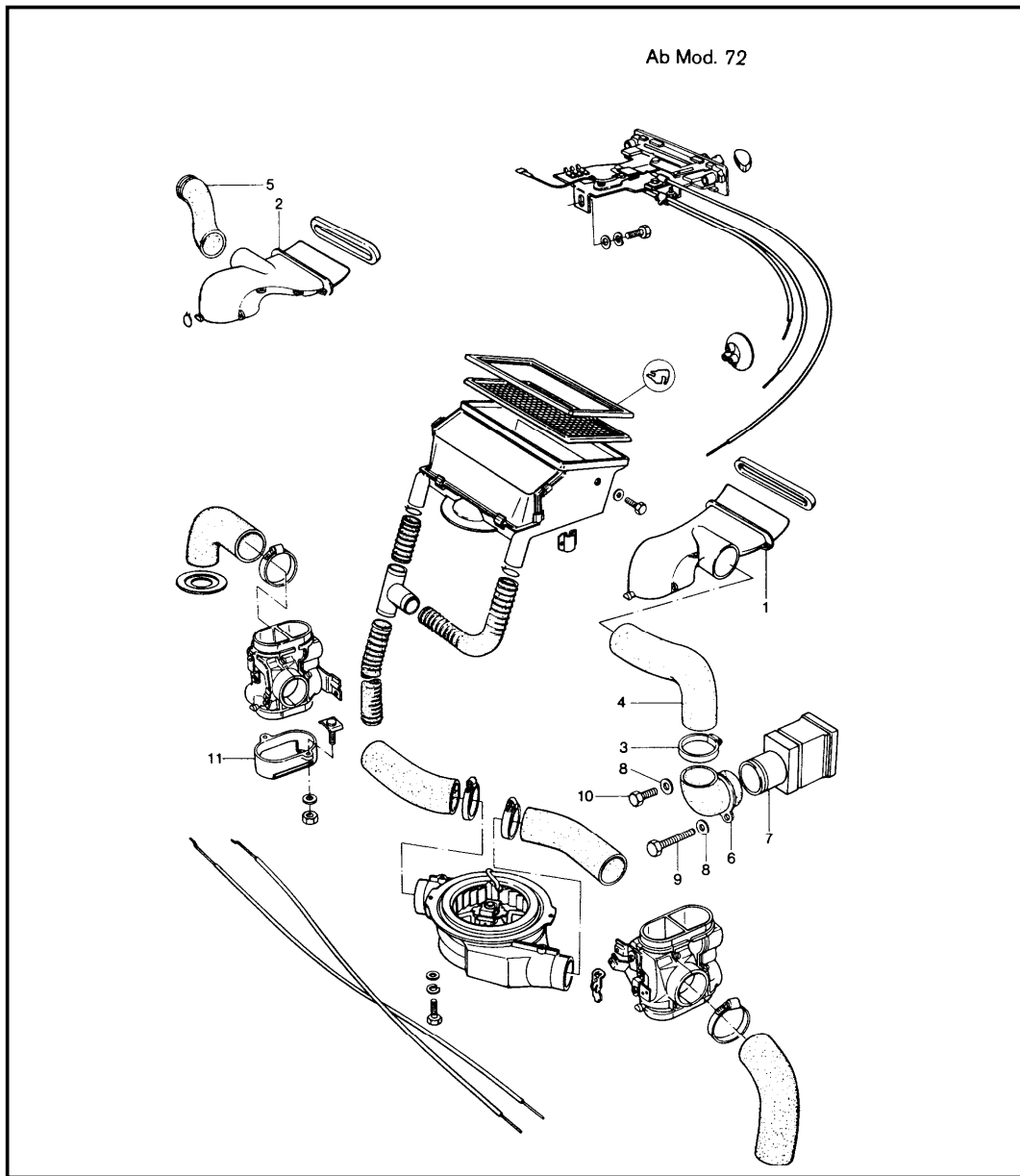


| Pos  | Part Number    | Description                       | Remark | Qty | Model                       |
|------|----------------|-----------------------------------|--------|-----|-----------------------------|
|      |                | ventilation heating               |        |     |                             |
|      |                | differing parts see group 8/13/05 | 72-    |     |                             |
| 1    | 914 571 907 00 | fresh air inlet box               |        | 6   |                             |
| 1/1  | 914 571 905 10 | tensioning spring                 |        | 6   |                             |
| (2)  | 914 571 904 10 | sealing frame F >>47329 24928     | -73    | 1   |                             |
| 2    | 914 571 129 10 | sealing frame F 47329 24929>>     | 73-    | 1   | 914-1,7/1,8V<br>914-1,8/2,0 |
| 2/1  | 914 571 131 10 | grille F 47329 24929>>            | 73-    | 1   | 914-1,7/1,8V<br>914-1,8/2,0 |
| 3    | 900 151 006 09 | washer B 6,4                      |        | 2   |                             |
| 4    | 900 378 030 09 | hexagon-head bolt M 6 X 20        |        | 2   |                             |
| 5    | 999 512 165 02 | hose clamp                        |        | 2   |                             |
| -    | PCG 571 900 00 | water drain hose                  |        | *   |                             |
| 6    | -              | 75 MM                             |        | 1   |                             |
| 7    | PCG 571 900 00 | water drain hose                  |        | 1   |                             |
| 8    | 914 571 153 10 | t-piece water drain hose          |        | 1   |                             |
| -    | PCG 571 900 00 | water drain hose                  |        | *   |                             |
| 9    | -              | 400 MM                            |        |     |                             |
| 10   | 911 571 018 00 | blower with engine and fan        |        | 1   |                             |
| 10/1 | 901 571 922 00 | sealing ring fan housing engine   |        | 1   |                             |
| -    | 911 571 320 32 | blower motor with fan             |        | 1   |                             |
| 11   | N 010 205 6    | hexagon-head bolt M 5 X 10        |        | 2   |                             |

|       |      |    |    |              |              |     |              |            |         |     |         |
|-------|------|----|----|--------------|--------------|-----|--------------|------------|---------|-----|---------|
| Model | Year | MG | SG | Illustration | Restrictions | UPD | 18:27        | 30.01.2010 | PORSCHE | PET | PORSCHE |
| 914   | 1976 | 8  | 13 | 813-00       |              | 248 | USA / CANADA |            |         |     |         |

| Pos    | Part Number    | Description                              | Remark | Qty | Model                    | Pos  | Part Number    | Description                                | Remark | Qty | Model       |
|--------|----------------|--|--------|-----|--------------------------|------|----------------|--|--------|-----|-------------|
| 12     | 900 027 003 01 | lock ring<br>B 5                         |        | 4   |                          | (32) | 914 613 134 11 | switch                                     |        | 1   | 914-1,8/2,0 |
| 13     | 900 025 003 02 | washer<br>5,3                            |        | 2   |                          | (32) | 914 613 134 13 | switch                                     |        | 1   | 914-1,8/2,0 |
| 14     | 999 512 349 02 | hose clamp                               | -73    | 8   |                          | 33   | 901 571 917 00 | knob<br>black                              |        | 2   |             |
| 14     | 999 512 349 02 | hose clamp                               | 74-    | 4   | 914-1,8V/1,8<br>914-2,0  | 33   | 901 571 918 00 | knob<br>red                                |        | 1   |             |
| 15     | 914 571 123 10 | connecting hose                          |        | 2   |                          | -    | 900 631 129 90 | bulb<br>12 V 1,2 W<br>for<br>picture<br>32 |        | 1   |             |
| 16     | 914 571 149 10 | control box                              | /L     | 1   |                          |      |                |  |        |     |             |
| 17     | 914 571 150 10 | control box                              | /R     | 1   |                          |      |                |  |        |     |             |
| 18     | 901 571 919 00 | terminal                                 |        | 7   |                          | 34   | 900 378 030 09 | hexagon-head bolt<br>M 6 X 20              |        | 1   |             |
| 19     | 914 572 123 10 | air hose                                 |        | 2   |                          | 35   | 900 028 008 01 | spring washer<br>B 6                       |        | 1   |             |
| 20     | 914 572 913 10 | sealing ring                             |        | 2   |                          | 36   | N 011 524 7    | washer<br>6,4                              |        | 1   |             |
| 21     | 914 571 348 10 | air distributor                          | -71    | 2   | 914-6/4                  |      |                |  |        |     |             |
| 22     | 914 571 113 10 | retaining clip                           |        | 4   |                          | 37   | 914 571 151 10 | rubber sleeve<br>for<br>bowden cable       |        | 1   |             |
| 23     | 900 025 003 02 | washer<br>5,3                            |        | 4   |                          |      |                |  |        |     |             |
| 24     | 900 076 004 02 | hexagon nut<br>M 5                       |        | 4   |                          | -    | 914 571 115 10 | bowden cable<br>for<br>blower              |        | 1   |             |
| 25     | 914 571 118 10 | bowden cable                             |        | 2   |                          | -    | 914 571 116 10 | bowden cable<br>cold air                   |        | 1   |             |
| 26     | 914 572 045 10 | defroster vent                           | /L     | -71 | 914-6/4                  | -    | 914 571 117 10 | bowden cable<br>hot air                    |        | 1   |             |
| 27     | 914 572 046 10 | defroster vent                           | /R     | -71 | 914-6/4                  |      |                |  |        |     |             |
| 28     | 914 572 157 10 | sealing ring<br>for<br>defroster vent    |        | 2   |                          |      |                |  |        |     |             |
| 29     | 999 512 162 02 | clamping spring                          |        | 4   |                          |      |                |  |        |     |             |
| 30     | 999 512 356 02 | hose clamp                               | -71    | 2   | 914-6/4                  |      |                |  |        |     |             |
| 31     | 914 572 127 10 | heater hose                              | -71    | 1   | 914-6/4                  |      |                |  |        |     |             |
| 31/1   | 914 572 189 10 | cover<br>for<br>defroster vent<br>centre | -71    | 1   | 914-4                    |      |                |  |        |     |             |
| (32) A | 914 613 134 10 | switch                                   |        | 1   | 914-4/1,7<br>914-1,8/2,0 |      |                |  |        |     |             |

|       |      |    |    |              |              |     |              |            |         |     |         |
|-------|------|----|----|--------------|--------------|-----|--------------|------------|---------|-----|---------|
| Model | Year | MG | SG | Illustration | Restrictions | UPD | 18:27        | 30.01.2010 | PORSCHE | PET | PORSCHE |
| 914   | 1976 | 8  | 13 | 813-05       |              | 248 | USA / CANADA |            |         |     |         |



| Pos | Part Number    | Description                       | Remark | Qty | Model                   |
|-----|----------------|-----------------------------------|--------|-----|-------------------------|
|     |                | ventilation heating               | 72-    |     |                         |
|     |                | differing parts see group 9/13/00 |        |     |                         |
| 1   | 914 572 045 11 | defroster vent                    | /L     | 1   |                         |
| 2   | 914 572 046 11 | defroster vent                    | /R     | 1   |                         |
| 3   | 999 512 348 02 | hose clamp                        | -73    | 4   |                         |
| 3   | 999 512 348 02 | hose clamp                        | 74-    | 2   | 914-1,8V/1,8<br>914-2,0 |
| 4   | 914 572 109 10 | hose                              |        | 1   |                         |
| 5   | 914 572 110 10 | hose                              |        | 1   |                         |
| 6   | 914 572 265 10 | intermediate piece                |        | 2   |                         |
| 7   | 914 572 039 11 | nozzle                            |        | 2   |                         |
| 8   | N 011 524 7    | washer 6,4                        |        | 4   |                         |
| 9   | N 010 220 3    | hexagon-head bolt M 6 X 30        |        | 2   |                         |
| 10  | 900 075 010 02 | hexagon-head bolt M 6 X 12        |        | 2   |                         |
| 11  | 914 571 349 10 | air distributor                   |        | 2   |                         |

|       |      |    |    |              |              |     |              |            |
|-------|------|----|----|--------------|--------------|-----|--------------|------------|
| Model | Year | MG | SG | Illustration | Restrictions | UPD | 18:27        | 30.01.2010 |
| 914   | 1976 | 8  | 98 | 898-00R      |              | 248 | USA / CANADA |            |

| Pos | Part Number      | Description                                | Remark | Qty | Model       |
|-----|------------------|--|--------|-----|-------------|
|     |                  | number plate<br>mount                      |        |     |             |
|     |                  | mount                                      | (USA)  |     |             |
| >>  | >>911 701 053 00 | support<br>for<br>number plate<br>sticker  | /V     | 1   |             |
| -   | 900 089 005 02   | washer<br>6                                |        | 4   |             |
| -   | 900 143 058 02   | tapping screw<br>BZ 4,8 X 9,5              |        | 4   |             |
| >>  | >>914 701 056 10 | support<br>for<br>number plate<br>sticker  | /H -74 | 1   |             |
| -   | 803 955 637      | rubber washer                              | -74    | 2   |             |
| -   | 900 138 029 02   | pan-head tapping screw<br>B 5,5 X 16       | -74    | 2   |             |
| -   | 900 089 005 02   | washer<br>6                                | -74    | 4   |             |
| -   | 900 143 058 02   | tapping screw<br>BZ 4,8 X 9,5              | -74    | 4   |             |
| >>  | >>914 701 104 10 | bridge                                     | /H 75- | 2   | 914-1,8/2,0 |
| -   | 900 138 029 02   | pan-head tapping screw<br>B 5,5 X 16       | 75-    | 2   | 914-1,8/2,0 |
| -   | 900 089 005 02   | washer                                     | 75-    | 4   | 914-1,8/2,0 |
| -   | N 013 970 5      | oval-head sheetmetal screw<br>BZ 4,8 X 9,5 | 75-    | 4   | 914-1,8/2,0 |
| -   | N 106 568 02     | tapping screw<br>B 4,8 X 9,5               | 75-    | 4   | 914-1,8/2,0 |
|     |                  | mount                                      |        |     | (ZOLL)      |
| >>  | >>914 701 102 10 | support<br>for<br>number plate<br>sticker  | /V     | 1   |             |
| -   | 901 723 523 20   | desk pad                                   |        | 2   |             |
| -   | 914 722 012 10   | support for spare wheel<br>5 1/2 J X 15    |        | 1   |             |
| -   | 914 722 012 10   | support for spare wheel<br>5 1/2 J X 15    |        | 1   | 914-4       |

PORSCHE

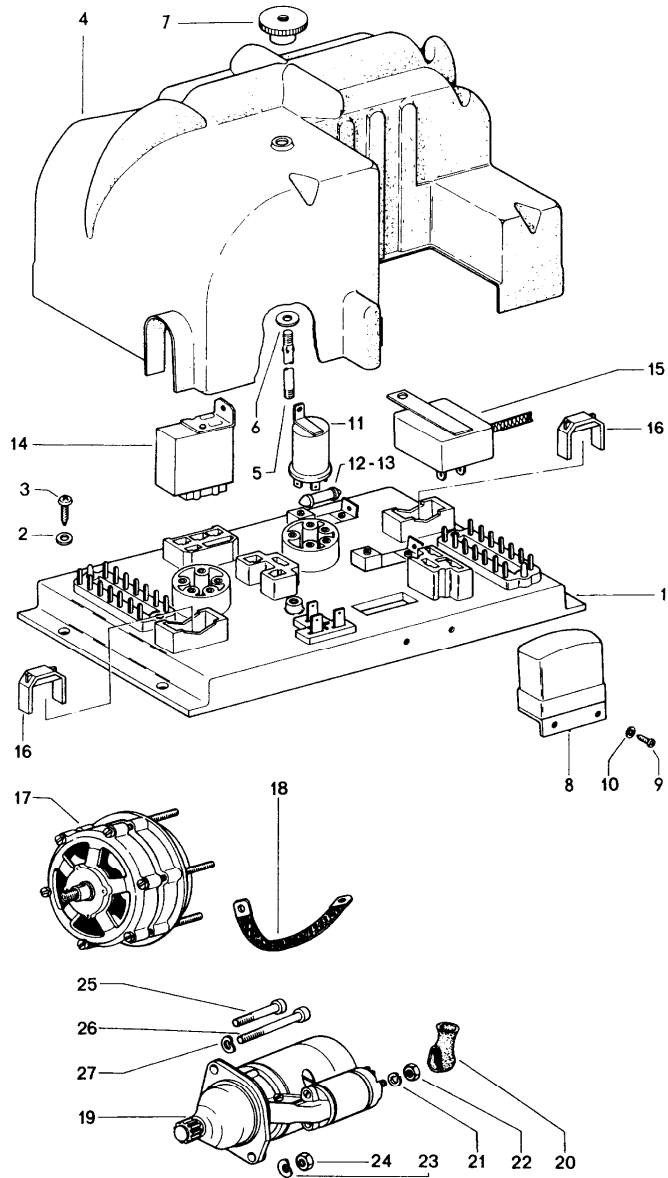
# PET

PORSCHE

|       |      |    |    |              |              |     |              |            |
|-------|------|----|----|--------------|--------------|-----|--------------|------------|
| Model | Year | MG | SG | Illustration | Restrictions | UPD | 18:27        | 30.01.2010 |
| 914   | 1976 | 8  | 98 | 898-00R      |              | 248 | USA / CANADA |            |

| Pos | Part Number    | Description                             | Remark | Qty | Model       |
|-----|----------------|---|--------|-----|-------------|
| -   | 914 722 011 10 | support for spare wheel<br>4 1/2 J X 15 |        | 1   | 914-4       |
| -   | 914 722 011 10 | support for spare wheel<br>4 1/2 J X 15 |        | 1   | 914-1,7/2,0 |

|       |      |    |    |              |              |     |              |            |         |     |         |
|-------|------|----|----|--------------|--------------|-----|--------------|------------|---------|-----|---------|
| Model | Year | MG | SG | Illustration | Restrictions | UPD | 18:28        | 30.01.2010 | PORSCHE | PET | PORSCHE |
| 914   | 1976 | 9  | 01 | 901-00       |              | 248 | USA / CANADA |            |         |     |         |



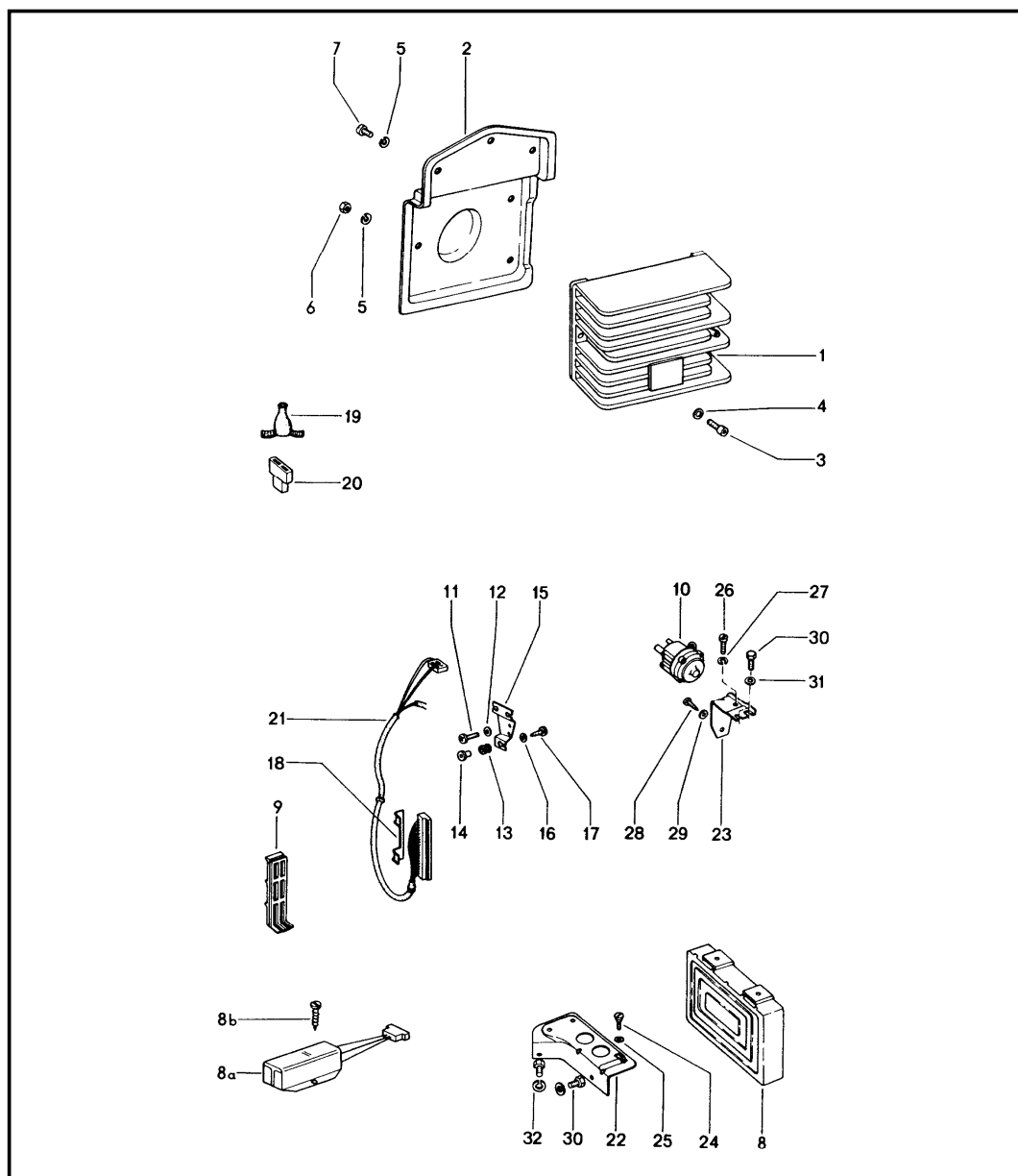
| Pos | Part Number    | Description                                | Remark        | Qty | Model |
|-----|----------------|--|---------------|-----|-------|
|     |                | regulator<br>generator<br>starter          |               |     |       |
| 1   | 914 610 103 00 | mounting plate<br>for<br>regulator         |               | 1   | 914-6 |
| (1) | 914 610 104 00 | mounting plate<br>for<br>regulator         |               | 1   | 914   |
| 2   | 900 025 003 02 | washer<br>5,3                              |               | 2   |       |
| 3   | N 013 968 7    | tapping screw<br>B 4,8 X 13                |               | 2   |       |
| 4   | 914 610 111 13 | cap  |               | 1   |       |
| -   | 999 701 445 40 | round seal<br>for<br>cap<br>914.610.111.13 |               | 1   |       |
| 5   | 914 610 106 10 | stud<br>F                                  | >>47529 00924 | 1   |       |
| 6   | 900 025 003 02 | washer<br>5,3<br>F                         | >>47529 00924 | 1   |       |
| 7   | 900 241 011 02 | knurled nut<br>M 5<br>F                    | >>47529 00924 | 1   | 914   |
| 8   | 901 603 206 02 | regulator                                  | -71           | 1   | 914-6 |
| (8) | 043 903 803 B  | regulator switch                           | 72-           | 1   | 914-6 |
| (8) | 043 903 803 B  | regulator switch                           |               | 1   | 914   |
| 9   | N 013 956 7    | tapping screw<br>BZ 3,5 X 6,5              |               | 2   |       |
| 10  | N 011 663 1    | washer<br>B 3,7                            |               | 2   |       |
| 11  | 901 602 601 00 | switch unit<br>BHKZ                        |               | 1   | 914-6 |
| 12  | N 017 121 4    | safety fuse<br>16 AMP.                     |               | 2   | 914-6 |



|       |      |    |    |              |              |     |              |            |         |     |         |
|-------|------|----|----|--------------|--------------|-----|--------------|------------|---------|-----|---------|
| Model | Year | MG | SG | Illustration | Restrictions | UPD | 18:28        | 30.01.2010 | PORSCHE | PET | PORSCHE |
| 914   | 1976 | 9  | 01 | 901-00       |              | 248 | USA / CANADA |            |         |     |         |

| Pos  | Part Number      | Description  | Remark | Qty | Model                     | Pos  | Part Number    | Description   | Remark | Qty | Model   |
|------|------------------|--|--------|-----|---------------------------|------|----------------|---|--------|-----|---------|
| 13   | N 017 121 5      | safety fuse<br>25 AMP.<br>not for<br>TYP 914-6   |        | 1   |                           | 22   | N 011 132 2    | hexagon nut<br>M 8                                      |        | 1   |         |
| 14   | 901 615 113 00   | relay<br>for<br>exhaust gas  |        | 1   | 914-6                     | 23   | N 012 242 3    | spring washer<br>B 10 X 18                              |        | 1   |         |
| 15   | 911 619 001 00   | suppression set<br>for<br>- bosch -<br>regulator   |        | 1   | 914-6                     | 24   | 900 157 002 02 | hexagon nut<br>M 10                                     |        | 1   |         |
| 16   | 914 610 107 00   | clip   |        | 2   |                           | 25   | 900 067 074 02 | pan-head screw<br>M 10 X 110                            |        | 1   | 914-6   |
| 17   | > 911 603 118 00 | generator<br>complete<br>770 W<br>see group<br>1/05/00   |        | 1   | 914-6                     | (25) | N 010 500 3    | hexagon-head bolt<br>M 10 X 115<br>not for<br>TYP 914-6 |        | 1   |         |
| (17) | > 022 903 023    | generator<br><br>complete<br>12 V 50 A<br>single parts<br>see group<br>9/02/05<br>not for<br>TYP 914-6 |        | 1   |                           | 26   | 900 067 078 02 | pan-head screw<br>M 10 X 150                            |        | 1   | SPM     |
| 18   | 901 612 110 00   | ground strap<br>housing<br>engine<br>generator   |        | 1   |                           | 27   | 901 604 581 00 | spring washer   |        | 1   | 914-6   |
| 19   | A 923 604 101 00 | starter  |        | 1   | 914-6                     | (29) | > 039 911 023  | starter   |        | 1   | 914-2,0 |
| 19   | > 901 604 102 CX | starter  |        | 1   | 914-6                     | 30   | 999 659 006 50 | protection cap  |        | 1   |         |
| (19) | > 003 911 023 B  | starter  |        | 1   | 914-4/1,7<br>914-1,8V/1,8 | 31   | 900 027 015 02 | lock ring<br>B 8  |        | 1   |         |
| -    | 003 911 023 BX   | starter<br>exchange  |        | 1   | 914-4/1,7<br>914-1,8/1,8V | 32   | N 011 132 2    | hexagon nut<br>M 8                                      |        | 1   |         |
| (19) | > 039 911 023    | starter  |        | 1   | 914-2,0                   | 33   | N 012 242 3    | spring washer<br>B 10 X 18                              |        | 1   |         |
| -    | > 039 911 023    | starter<br>exchange  |        | 1   | 914-2,0                   | 34   | 900 157 002 02 | hexagon nut<br>M 10                                     |        | 1   |         |
| 20   | 999 659 006 50   | protection cap   |        | 1   |                           | 35   | 900 067 074 02 | pan-head screw<br>M 10 X 110                            |        | 1   | 914-6   |
| 21   | 900 027 015 02   | lock ring<br>B 8   |        | 1   |                           | (35) | N 010 500 3    | hexagon-head bolt<br>M 10 X 115<br>not for<br>TYP 914-6 |        | 1   |         |
|      |                  |  |        |     |                           | 36   | 900 067 078 02 | pan-head screw<br>M 10 X 150                            |        | 1   | SPM     |
|      |                  |  |        |     |                           | 37   | 901 604 581 00 | spring washer   |        | 1   | 914-6   |

|       |      |    |    |              |              |     |              |            |         |     |         |
|-------|------|----|----|--------------|--------------|-----|--------------|------------|---------|-----|---------|
| Model | Year | MG | SG | Illustration | Restrictions | UPD | 18:28        | 30.01.2010 | PORSCHE | PET | PORSCHE |
| 914   | 1976 | 9  | 01 | 901-05       |              | 248 | USA / CANADA |            |         |     |         |



| Pos | Part Number      | Description   | Remark | Qty | Model                |
|-----|------------------|---|--------|-----|----------------------|
| 1   | > 901 602 702 00 | electrical equipment engine<br>switch unit<br>BHKZ  |        | 1   | 914-6                |
| 1   | 901 602 702 X    | switch unit<br>BHKZ<br>exchange   |        | 1   | 914-6                |
| 2   | 914 602 011 00   | bracket<br>BHKZ   |        | 1   | 914-6                |
| 3   | 900 014 007 02   | pan-head screw<br>AM 6 X 10   |        | 3   | 914-6                |
| 4   | N 011 524 7      | washer<br>6,4   |        | 3   | 914-6                |
| 5   | 900 027 014 01   | lock ring<br>B 6  |        | 6   | 914-6                |
| 6   | 900 076 010 02   | hexagon nut<br>M 6  |        | 3   | 914-6                |
| 7   | N 014 703 2      | pan-head screw<br>M 6 X 18  |        | 3   | 914-6                |
| -   | 039 905 351      | relay<br>for<br>engine-speed shutoff  |        | 1   | 914-2,0<br>(CAL)     |
| (8) | > 022 906 021 B  | control unit<br>M >> W0 129 581   |        | 1   | 914-4                |
| -   | 022 906 021 BX   | control unit<br>M >> W0 129 581<br>exchange   |        | 1   | 914-4                |
| 8   | > 022 906 021 E  | control unit<br>M W0 129 582 >><br>M >> W0 250 000<br>M >>EAO 098 793<br>M >>EBO 010 020<br>M >>GA0 006 765 |        | 1   | 914-4/1,7<br>914-2,0 |
| (8) | 022 906 021 G    | control unit<br>M >>ECO 037 551   |        | 1   | 914-1,8              |
| (8) | 473 906 021      | control unit<br>M ECO 037 552>>   |        | 1   | 914-1,8              |
| -   | 311 906 105 A    | grommet<br>for<br>lid<br>control unit   |        | 1   | 914-1,8              |

|       |      |    |    |              |              |     |              |            |         |     |         |
|-------|------|----|----|--------------|--------------|-----|--------------|------------|---------|-----|---------|
| Model | Year | MG | SG | Illustration | Restrictions | UPD | 18:28        | 30.01.2010 | PORSCHE | PET | PORSCHE |
| 914   | 1976 | 9  | 01 | 901-05       |              | 248 | USA / CANADA |            |         |     |         |

| Pos   | Part Number    | Description  | Remark | Qty | Model                | Pos  | Part Number   | Description   | Remark | Qty | Model                    |
|-------|----------------|--|--------|-----|----------------------|------|---------------|---|--------|-----|--------------------------|
| -     | 914 611 129 10 | bracket<br>for<br>control unit                     |        | 1   | 914-1,8              | 14   | 311 906 057   | spacer sleeve<br>for<br>pressure sensor                                 |        | 3   | 914-4/1,7<br>914-2,0     |
| -     | N 010 210 13   | hexagon-head bolt<br>M 6 X 10                      |        | 3   | 914-1,8              | -    | 071 906 059 A | relay   |        | 1   | 914-1,8                  |
| -     | N 012 006 4    | lock ring<br>B 6                                   |        | 5   | 914-1,8              | 15   | 022 906 200   | bracket<br>for<br>pressure sensor                                       |        | 1   | 914-4/1,7<br>914-2,0     |
| -     | 900 075 014 02 | hexagon-head bolt<br>M 6 X 18                      |        | 2   | 914-1,8              | 16   | N 011 524 7   | washer<br>A 6,4   |        | 2   | 914-4/1,7<br>914-2,0     |
| 8A    | 022 906 079    | series resistor<br>battery<br>bracket              |        | 1   | 914-1,8              | (16) | N 012 226 5   | spring washer<br>B 6  |        | 1   | 914-4/1,7<br>914-2,0     |
| 8B    | 900 143 046 02 | oval-head sheetmetal screw<br>B 4,8 X 16           |        | 2   | 914-1,8              | (16) | N 011 692 3   | washer<br>5,1   |        | 2   | 914-4/1,7<br>914-2,0     |
| -     | N 013 885 1    | tapping screw<br>4,8 X 13                          |        | 3   | 914-1,8              | 17   | N 013 948 1   | oval-head sheetmetal screw<br>B 5,5 X 25                                |        | 2   | 914-4/1,7<br>914-2,0     |
| -     | N 012 005 3    | lock ring<br>B 5                                   |        | 3   | 914-1,8              | (17) | N 010 719 2   | pan-head screw<br>M 6 X 20  |        | 1   | 914-4/1,7<br>914-2,0     |
| (8) > | 039 906 021    | control unit<br>M GA0 006 766>><br>M >>GA0 016 000 |        | 1   | 914-2,0              | 18   | 022 906 209   | handle<br>for<br>connector<br>control unit                              |        | 1   | 914-4/1,7<br>914-1,8/2,0 |
| (8)   | 039 906 021 A  | control unit<br>M GC0 000 001>>                    |        | 1   | 914-2,0              | -    | 473 906 075   | protection cap<br>for<br>potentiometer<br>idle-speed adjuster           |        | 1   | 914-4/1,7<br>914-1,8/2,0 |
| -     | 311 971 935    | push-on connector                                  |        | 1   | 914-1,8              |      |               |   |        |     |                          |
| -     | 113 971 935 A  | push-on connector                                  |        | 1   | 914-1,8              | (19) | 022 906 102   | protection cap<br>for<br>connector housing<br>2-pole                    |        | 7   | 914-1,8                  |
| 9     | 311 906 025    | slide<br>for<br>control unit                       |        | 1   | 914-4/1,7<br>914-2,0 |      |               |   |        |     |                          |
| 10    | 039 906 051    | pressure sensor                                    |        | 1   | 914-2,0              | (19) | 022 906 102 B | protection cap<br>for<br>connector housing<br>6-pole<br>M >>ECO 037 551 |        | 1   | 914-1,8                  |
| (10)  | 022 906 051 E  | pressure sensor                                    |        | 1   | 914-4/1,7            |      |               |   |        |     |                          |
| 11    | N 014 138 7    | oval-head screw<br>AM 6 X 10                       |        | 2   | 914-4/1,7<br>914-2,0 | (19) | 022 906 102 C | protection cap<br>for<br>connector housing<br>3-pole                    |        | 1   | 914-1,8                  |
| 12    | N 012 226 5    | spring washer<br>B 6                               |        | 2   | 914-4/1,7<br>914-2,0 |      |               |   |        |     |                          |
| 13    | 113 957 855    | rubber sleeve<br>for<br>spacer sleeve              |        | 3   | 914-4/1,7<br>914-2,0 | (19) | 022 906 102 D | protection cap<br>for<br>connector housing<br>7-pole<br>M ECO 037 552>> |        | 1   | 914-1,8                  |

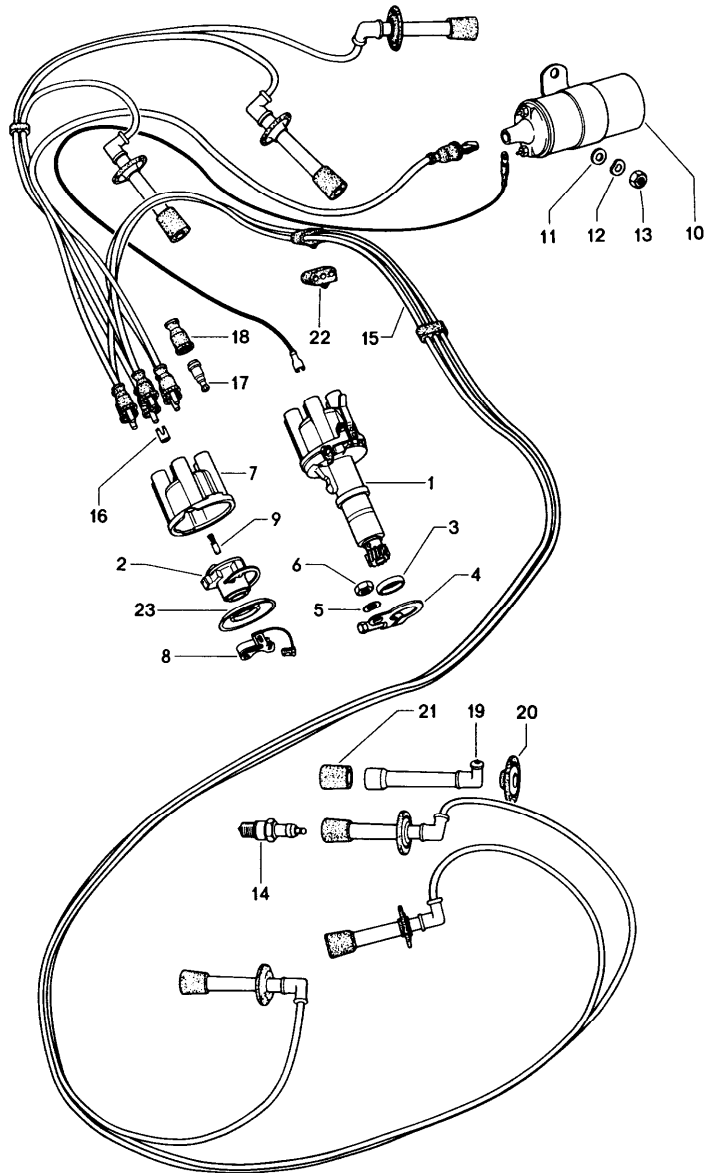
|       |      |    |    |              |              |     |              |            |         |     |         |
|-------|------|----|----|--------------|--------------|-----|--------------|------------|---------|-----|---------|
| Model | Year | MG | SG | Illustration | Restrictions | UPD | 18:28        | 30.01.2010 | PORSCHE | PET | PORSCHE |
| 914   | 1976 | 9  | 01 | 901-05       |              | 248 | USA / CANADA |            |         |     |         |

| Pos  | Part Number   | Description  | Remark | Qty | Model                    | Pos  | Part Number    | Description  | Remark | Qty | Model                |
|------|---------------|--|--------|-----|--------------------------|------|----------------|--|--------|-----|----------------------|
| 19   | 311 906 102 A | protection cap<br>for<br>connector housing<br>2-pole |        | 6   | 914-4/1,7<br>914-1,8/2,0 | (21) | 022 971 761 G  | wiring harness<br>for<br>control unit<br>M >>ECO 037 551 |        | 1   | 914-1,8              |
| (19) | 311 906 102 B | protection cap<br>for<br>connector housing<br>3-pole |        | 1   | 914-4/1,7<br>914-2,0     | (21) | 022 971 761 Q  | wiring harness<br>for<br>control unit<br>M ECO 037 552>> |        | 1   | 914-1,8              |
| (19) | 311 906 102 C | protection cap<br>for<br>connector housing<br>4-pole |        | 2   | 914-4/1,7<br>914-2,0     | (21) | 039 971 761 B  | wiring harness<br>for<br>control unit<br>M >>GA0 016 000 |        | 1   | 914-2,0              |
| (19) | 311 906 102 E | protection cap<br>for<br>connector housing<br>5-pole |        | 2   | 914-4/1,7<br>914-2,0     | (21) | 039 971 761 A  | wiring harness<br>for<br>control unit<br>M GC0 000 001>> |        | 1   | 914-2,0<br>(CAL)     |
| (20) | 037 906 240   | connector housing<br>2-pole<br>grey                  |        | 4   | 914-1,8                  | (21) | 039 971 761 B  | wiring harness<br>for<br>control unit<br>M GC0 000 001>> |        | 1   | 914-2,0              |
| 20   | 311 906 231 A | connector housing<br>2-pole                          |        | 6   | 914-4/1,7<br>914-2,0     | -    | 111 971 911 A  | rubber sleeve  |        | 1   | 914-1,8V/1,8         |
| (20) | 311 906 231 B | connector housing<br>3-pole                          |        | 1   | 914-4/1,7<br>914-2,0     | -    | 849 941 593    | connector housing<br>9-pole                              |        | 1   | 914-1,8              |
| (20) | 311 906 231 C | connector housing<br>4-pole                          |        | 2   | 914-4/1,7<br>914-2,0     | -    | 411 963 369    | connector housing<br>6-pole                              |        | 1   | 914-1,8              |
| (20) | 311 906 231 D | connector housing<br>5-pole                          | 72-    | 2   | 914-4/1,7<br>914-2,0     | -    | 111 971 977    | plug with guide<br>single pole                           |        | 4   | 914-1,8              |
| (20) | 022 906 233 A | connector housing<br>6-pole<br>M >>ECO 037 551       |        | 1   | 914-1,8                  | -    | 803 905 897    | connector housing<br>for<br>wiring harness               |        | 1   | 914-4/1,7            |
| (20) | 022 906 233 B | connector housing<br>3-pole                          |        | 1   | 914-1,8                  | 22   | 914 618 013 10 | retaining bracket<br>for<br>control unit                 |        | 1   |                      |
| (20) | 071 906 233   | terminal sleeve housing<br>7-pole<br>M ECO 037 552>> |        | 1   | 914-1,8                  | 23   | 914 618 119 10 | retaining bracket  |        | 1   | 914-2,0              |
| 21   | 022 971 819   | wiring harness<br>for<br>control unit                |        | 1   | 914-4/1,7                | (23) | 914 618 113 10 | retaining bracket  |        | 1   | 914-4/1,7            |
| (21) | 022 971 761 F | wiring harness<br>for<br>control unit                | 72-    | 1   | 914-4/1,7                | 24   | 914 618 114 10 | oval-head screw  |        | 1   | 914-4/1,7<br>914-2,0 |
|      |               |  |        |     |                          | 25   | 900 028 030 01 | spring washer<br>A 7                                     |        | 1   | 914-4/1,7<br>914-2,0 |
|      |               |  |        |     |                          | 26   | 900 014 054 02 | pan-head screw<br>M 5 X 6                                |        | 1   | 914-4/1,7<br>914-2,0 |

|       |      |    |    |              |              |     |              |            |         |     |         |
|-------|------|----|----|--------------|--------------|-----|--------------|------------|---------|-----|---------|
| Model | Year | MG | SG | Illustration | Restrictions | UPD | 18:28        | 30.01.2010 | PORSCHE | PET | PORSCHE |
| 914   | 1976 | 9  | 01 | 901-05       |              | 248 | USA / CANADA |            |         |     |         |

| Pos | Part Number    | Description                   | Remark | Qty | Model                | Pos | Part Number | Description | Remark | Qty | Model |
|-----|----------------|-------------------------------|--------|-----|----------------------|-----|-------------|-------------|--------|-----|-------|
| 27  | N 012 005 3    | lock ring<br>B 5              |        | 1   | 914-4/1,7<br>914-2,0 |     |             |             |        |     |       |
| 28  | 900 138 030 02 | tapping screw<br>BZ 3,9 X 6,5 |        | 1   | 914-4/1,7<br>914-2,0 |     |             |             |        |     |       |
| 29  | 900 151 001 02 | washer<br>A 4,3               |        | 1   | 914-4/1,7<br>914-2,0 |     |             |             |        |     |       |
| 30  | N 010 210 13   | hexagon-head bolt<br>M 6 X 10 |        | 4   | 914-4/1,7<br>914-2,0 |     |             |             |        |     |       |
| 31  | N 011 524 7    | washer<br>A 6,4               |        | 2   | 914-4/1,7<br>914-2,0 |     |             |             |        |     |       |
| 32  | 900 027 014 01 | lock ring<br>B 6              |        | 2   | 914-4/1,7<br>914-2,0 |     |             |             |        |     |       |
| -   | 022 906 239    | cap                           |        | 1   | 914-1,8              |     |             |             |        |     |       |
| -   | 022 906 241    | protection cap                |        | 1   | 914-1,8              |     |             |             |        |     |       |
| -   | 022 906 249    | sealing ring                  |        | 1   | 914-1,8              |     |             |             |        |     |       |
| -   | N 020 902 1    | tie-wrap                      |        | 2   | 914-1,8              |     |             |             |        |     |       |

|       |      |    |    |              |              |     |              |            |         |     |         |
|-------|------|----|----|--------------|--------------|-----|--------------|------------|---------|-----|---------|
| Model | Year | MG | SG | Illustration | Restrictions | UPD | 18:28        | 30.01.2010 | PORSCHE | PET | PORSCHE |
| 914   | 1976 | 9  | 01 | 901-10       |              | 248 | USA / CANADA |            |         |     |         |

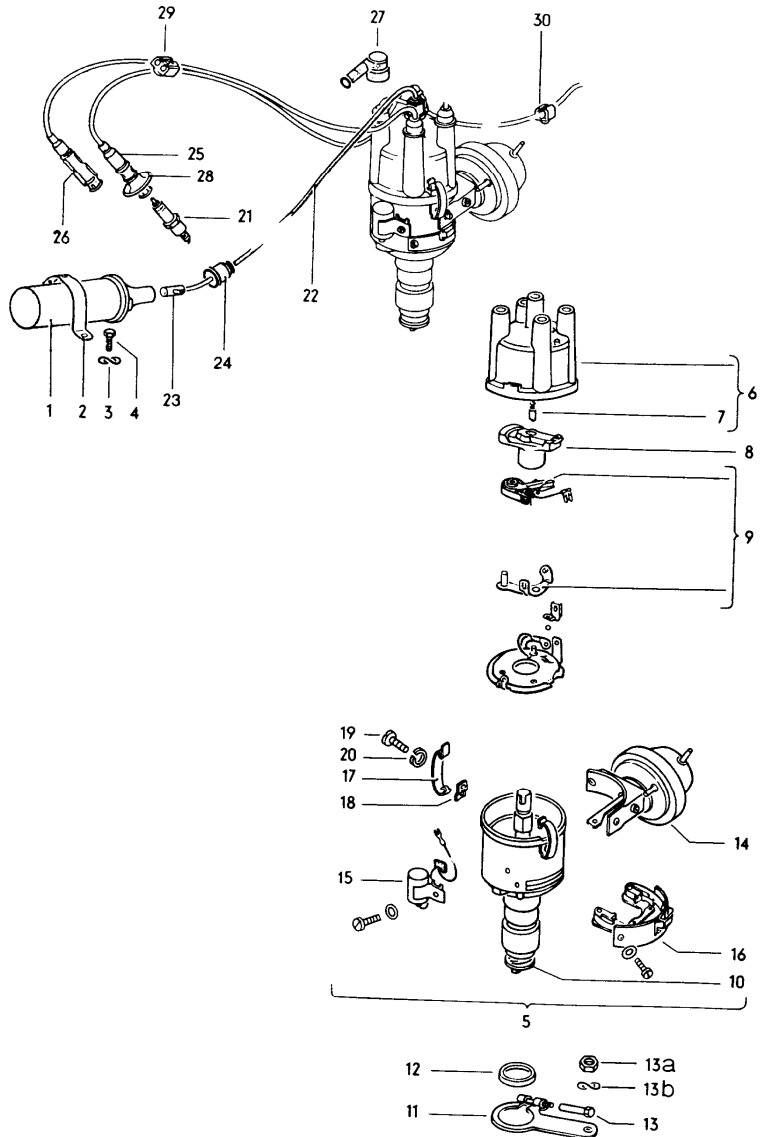


| Pos   | Part Number    | Description  | Remark | Qty | Model |
|-------|----------------|--|--------|-----|-------|
|       |                | engine electrics                                     |        |     | 914-6 |
| 1     | 901 602 021 05 | distributor<br>- bosch -                             |        | 1   |       |
| (1) > | 911 602 022 00 | distributor  |        | 1   |       |
| (1)   | 911 602 022 X  | distributor<br>- MARELLI -                           |        | 1   |       |
| 2     | 911 602 928 00 | rotor<br>- bosch -<br>with<br>engine-speed shutoff   |        | 1   |       |
| (2)   | 901 602 928 01 | rotor<br>- MARELLI -<br>with<br>engine-speed shutoff |        | 1   |       |
| 3     | 999 701 101 50 | sealing ring   |        | 1   |       |
| 4     | 999 511 046 02 | clamping bow   |        | 1   |       |
| 5     | N 012 241 1    | spring washer<br>B 8 X 15                            |        | 1   |       |
| 6     | 900 076 025 02 | hexagon nut<br>M 8                                   |        | 1   |       |
| 7     | 911 602 933 00 | distributor cap<br>- bosch -                         |        | 1   |       |
| (7)   | 901 602 953 00 | distributor cap<br>- MARELLI -                       |        | 1   |       |
| 8     | 616 602 226 02 | contact breaker point<br>- bosch -                   |        | 1   |       |
| (8)   | 911 602 960 00 | contact breaker point<br>- MARELLI -                 |        | 1   |       |
| 9     | 930 602 905 00 | wiper contact<br>- bosch -                           |        | 1   |       |
| (9)   | 901 602 952 00 | contact pin<br>- MARELLI -                           |        | 1   |       |
| 10    | 901 602 502 00 | ignition transformer<br>for<br>BHKZ                  |        | 1   |       |
| 11    | 900 025 007 02 | washer<br>8,4  |        | 2   |       |
| 12    | N 012 241 1    | spring washer<br>B 8 X 15                            |        | 2   |       |

|       |      |    |    |              |              |     |              |            |         |     |         |
|-------|------|----|----|--------------|--------------|-----|--------------|------------|---------|-----|---------|
| Model | Year | MG | SG | Illustration | Restrictions | UPD | 18:28        | 30.01.2010 | PORSCHE | PET | PORSCHE |
| 914   | 1976 | 9  | 01 | 901-10       |              | 248 | USA / CANADA |            |         |     |         |

| Pos  | Part Number    | Description   | Remark | Qty | Model | Pos | Part Number | Description | Remark | Qty | Model |
|------|----------------|---|--------|-----|-------|-----|-------------|-------------|--------|-----|-------|
| 13   | 900 076 025 02 | hexagon nut<br>M 8  |        | 2   |       |     |             |             |        |     |       |
| 14   | 999 170 010 91 | spark plug<br>- bosch -                                   |        | 6   |       |     |             |             |        |     |       |
| (14) | 999 170 165 90 | spark plug<br>- bosch -                                   | WW     | 6   |       |     |             |             |        |     |       |
| 15   | 911 609 061 00 | set of ignition cables<br>without<br>spark plug connector |        | X   |       |     |             |             |        |     |       |
| -    | 900 612 001 00 | ignition lead<br>high voltage<br>black<br>5 Meter         |        | X   |       |     |             |             |        |     |       |
| 16   | 911 609 510 00 | cable plug  |        | 8   |       |     |             |             |        |     |       |
| 17   | 999 619 121 00 | suppression connector<br>- beru -                         |        | 7   |       |     |             |             |        |     |       |
| -    | 999 619 121 00 | suppression connector<br>- bosch -                        |        | 7   |       |     |             |             |        |     |       |
| 18   | 999 659 001 40 | water protection cap                                      |        | 8   |       |     |             |             |        |     |       |
| 19   | 901 609 309 00 | screened connector<br>ignition lead<br>- beru -           |        | 6   |       |     |             |             |        |     |       |
| 20   | 111 905 449 A  | cap   |        | 6   |       |     |             |             |        |     |       |
| 21   | 999 659 034 40 | water protection cap                                      |        | 6   |       |     |             |             |        |     |       |
| (21) | 999 659 002 50 | water protection cap                                      |        | 7   |       |     |             |             |        |     |       |
| 22   | 901 609 591 00 | cable holder  |        | 3   |       |     |             |             |        |     |       |
| 23   | 901 602 927 00 | dust cover<br>- bosch -                                   |        | 1   |       |     |             |             |        |     |       |

|       |      |    |    |              |              |     |              |            |         |     |         |
|-------|------|----|----|--------------|--------------|-----|--------------|------------|---------|-----|---------|
| Model | Year | MG | SG | Illustration | Restrictions | UPD | 18:28        | 30.01.2010 | PORSCHE | PET | PORSCHE |
| 914   | 1976 | 9  | 01 | 901-15       |              | 248 | USA / CANADA |            |         |     |         |



| Pos | Part Number    | Description   | Remark | Qty | Model                    |
|-----|----------------|---|--------|-----|--------------------------|
|     |                | engine electrics  |        |     | 914                      |
| 1   | 022 905 115    | ignition coil<br>12 V<br>M >> W0 057 460  |        | 1   | 914-4                    |
| (1) | 022 905 115 A  | ignition coil<br>12 V<br>M >>GA0 016 000<br>M GA0 006 766>><br>M GC0 000 001>>  |        | 1   | 914-1,8V/2,0             |
| 2   | 022 905 121 A  | restraining strap<br>for<br>ignition coil<br>M >> W0 250 000<br>M >>EA0 098 793<br>M >>EBO 010 020<br>M >>GA0 006 765 |        | 1   | 914-4/1,7<br>914-2,0     |
| (2) | 021 905 119    | restraining strap<br>for<br>ignition coil<br>M ECO 000 001>><br>M >>GA0 016 000<br>M GA0 006 766>><br>M GC0 000 001>> |        | 1   | 914-1,8V/1,8<br>914-2,0  |
| 3   | N 012 226 5    | spring washer<br>B 6  | -73    | 2   | 914-4/1,7<br>914-1,8/2,0 |
| 4   | N 010 215 13   | hexagon-head bolt<br>M 6 X 15   | -73    | 2   | 914-4/1,7<br>914-1,8/2,0 |
| (3) | N 012 226 5    | spring washer<br>A 6  | 74-    | 2   | 914-1,8V/2,0             |
| (4) | N 010 210 13   | hexagon-head bolt<br>M 6 X 10   | 74-    | 2   | 914-1,8V/2,0             |
| -   | 900 151 029 02 | washer<br>6,4   | 74-    | 2   | 914-1,8V/1,8<br>914-2,0  |
| (5) | 022 905 205 AB | distributor<br>- bosch -<br>use also:<br>rotor<br>043.905.225<br>M ECO 037 552>>                                      |        | 1   | 914-1,8                  |
| (5) | 021 905 205 S  | distributor<br>- bosch -<br>use also:<br>rotor<br>022.905.225 A<br>M ECO 000 001>><br>M >>ECO 037 551                 |        | 1   | 914-1,8                  |



|       |      |    |    |              |              |     |              |            |         |     |         |
|-------|------|----|----|--------------|--------------|-----|--------------|------------|---------|-----|---------|
| Model | Year | MG | SG | Illustration | Restrictions | UPD | 18:28        | 30.01.2010 | PORSCHE | PET | PORSCHE |
| 914   | 1976 | 9  | 01 | 901-15       |              | 248 | USA / CANADA |            |         |     |         |

| Pos | Part Number     | Description   | Remark | Qty | Model            | Pos | Part Number    | Description   | Remark | Qty | Model       |
|-----|-----------------|---|--------|-----|------------------|-----|----------------|---|--------|-----|-------------|
| 5   | 022 905 205 P   | distributor<br>- bosch -<br>M W0 000 001 >><br>M EA0 000 001>><br>M >> W0 129 581<br>M >>EA0 057 000  |        | 1   | 914-4            | 8   | 022 905 225 A  | rotor<br>shielded<br>engine-speed shutoff<br>f.ignition distributor<br>022.905.205 F<br>022.905.205 H<br>022.905.205 T<br>022.905.205 P<br>021.905.205 S<br>039.905.205<br>039.905.205 A      |        | 1   |             |
| (5) | 022 905 205 H   | distributor<br>- bosch -<br>M W0 057 460 >><br>M >> W0 250 000  |        | 1   | 914-4/1,7        |     |                |   |        |     |             |
| (5) | 022 905 205 P   | distributor<br>- bosch -<br>use also:<br>rotor<br>022.905.225 A<br>M EA0 057 001>><br>M EB0 000 001>><br>M >>EA0 098 793<br>M >>EB0 010 020 |        | 1   | 914-1,7          | (8) | 055 905 225 B  | rotor<br>shielded<br>engine-speed shutoff<br>f.ignition distributor<br>022.905.205 AB<br>039.905.205 B  |        | 1   | 914-1,8/2,0 |
| (5) | > 039 905 205 A | distributor   |        | 1   | 914-2,0          | 9   | 616 602 226 02 | contact breaker point<br>contact breaker point<br>f.ignition distributor<br>022.905.205 F<br>022.905.205 H<br>022.905.205 T<br>022.905.205 P<br>021.905.205 S<br>039.905.205<br>039.905.205 A |        | 1   |             |
| -   | 039 905 205 AX  | distributor<br>- bosch -<br>M GB0 007 402>><br>M GA0 006 766>><br>M >>GA0 016 000   |        | 1   | 914-2,0          |     |                |   |        |     |             |
| (5) | 039 905 205 B   | distributor<br>- bosch -<br>M GC0 000 001>>   |        | 1   | 914-2,0<br>(CAL) | (9) | 616 602 226 02 | contact breaker point<br>1 set<br>f.ignition distributor<br>022.905.205 AB<br>039.905.205 B   |        | 1   | 914-1,8     |
| (5) | > 039 905 205 A | distributor   |        | 1   | 914-2,0          | 10  | 111 905 247    | driving arm   |        | 1   |             |
| -   | 039 905 205 AX  | distributor<br>M GB0 000 001>><br>M GA0 000 001>><br>M >>GB0 007 401<br>M >>GA0 006 765   |        | 1   | 914-2,0          | 11  | 021 905 250    | support<br>f.ignition distributor   |        | 1   |             |
| 6   | 113 905 207 C   | distributor cap   |        | 1   |                  | 12  | 111 905 261    | sealing ring<br>f.ignition distributor  |        | 1   |             |
| 7   | 111 905 221 A   | contact pin<br>with<br>spring   |        | 1   |                  | 13  | 021 905 267    | nut<br>M 6 X 35   |        | 1   |             |
|     |                 |   |        |     |                  | 13A | N 011 008 8    | hexagon nut<br>M 8  |        | 1   |             |
|     |                 |   |        |     |                  | 13B | N 012 241 11   | spring washer<br>B 8 X 15   |        | 1   |             |
|     |                 |   |        |     |                  | 14  | 022 905 271 A  | vacuum unit<br>with two connections<br>f.ignition distributor<br>022.905.205 F  |        | 1   | 914-4       |

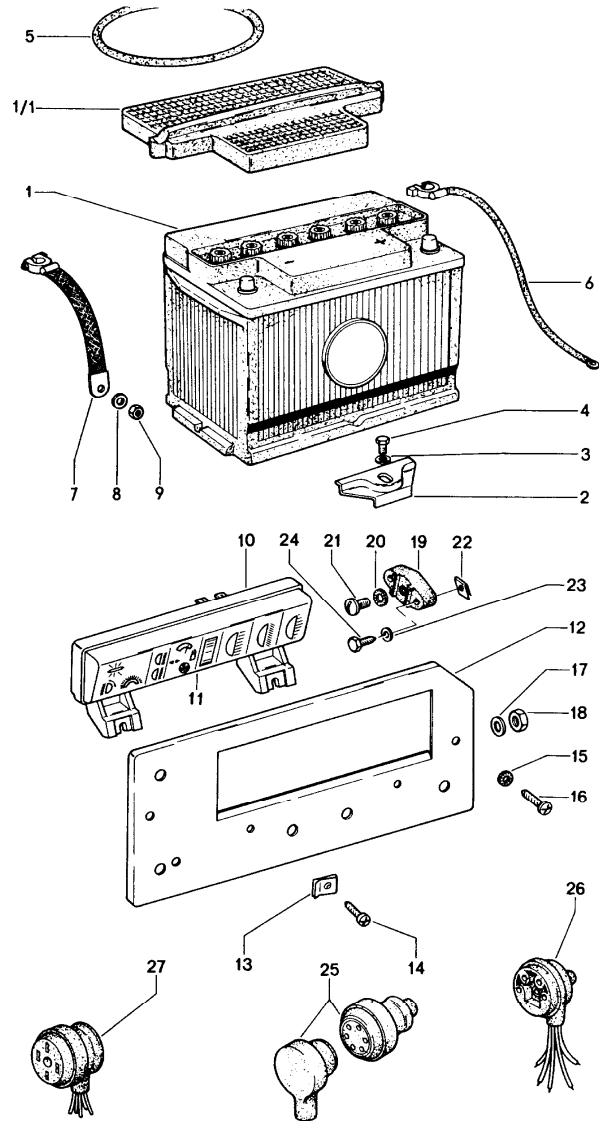
|       |      |    |    |              |              |     |              |            |         |     |         |
|-------|------|----|----|--------------|--------------|-----|--------------|------------|---------|-----|---------|
| Model | Year | MG | SG | Illustration | Restrictions | UPD | 18:28        | 30.01.2010 | PORSCHE | PET | PORSCHE |
| 914   | 1976 | 9  | 01 | 901-15       |              | 248 | USA / CANADA |            |         |     |         |

| Pos  | Part Number   | Description   | Remark | Qty | Model                | Pos  | Part Number    | Description   | Remark | Qty | Model                       |
|------|---------------|---|--------|-----|----------------------|------|----------------|---|--------|-----|-----------------------------|
| (14) | 022 905 271 B | vacuum unit<br>with one connection<br>f.ignition distributor<br>022.905.205 H                         |        | 1   | 914-4/1,7            | 19   | N 010 703 2    | pan-head screw<br>AM 4,8  |        | 2   |                             |
| (14) | 022 905 271 C | vacuum unit<br>with two connections<br>f.ignition distributor<br>022.905.205 P<br>039.905.205         |        | 1   | 914-1,7/2,0          | 20   | N 012 004 2    | lock ring<br>B 4  |        | 2   |                             |
| (14) | 022 905 271 D | vacuum unit<br>f.ignition distributor<br>022.905.205 AB   |        | 1   | 914-1,8              | (21) | N 017 812 16   | spark plug<br>175<br>- beru -   |        | 4   | 914-4/1,7<br>914-1,8/2,0    |
| (14) | 021 905 271 H | vacuum unit<br>f.ignition distributor<br>021.905.205 S  |        | 1   | 914-1,8              | 22   | 900 612 001 00 | ignition lead<br>ignition coil<br>distributor<br>and<br>cylinder<br>5 Meter |        | X   |                             |
| (14) | 039 905 271   | vacuum unit<br>f.ignition distributor<br>039.905.205 A  |        | 1   | 914-2,0              | 23   | 111 905 427    | connector<br>for ignition cable   |        | 6   |                             |
| (14) | 039 905 271 A | vacuum unit<br>f.ignition distributor<br>039.905.205 B  |        | 1   | 914-2,0<br>(CAL)     | (23) | 036 035 281    | suppression connector<br>for ignition cable                                 |        | 6   | 914-4/1,7<br>914-1,8V/2,0   |
| (15) | 311 905 295 C | condenser<br>f.ignition distributor<br>022.905.205 P<br>039.905.205<br>039.905.205 A<br>039.905.205 B |        | 1   | 914-1,7/2,0          | 24   | 311 905 429 A  | protection cap<br>for ignition cable<br>ignition coil                       |        | 1   |                             |
| (15) | 021 905 295 B | condenser<br>f.ignition distributor<br>022.905.205 AB<br>022.905.205 T<br>021.905.205 S               |        | 1   | 914-1,8V/1,8         | (24) | 311 905 429 A  | protection cap<br>for ignition cable<br>distributor                         |        | 5   |                             |
| 15   | 311 905 295 C | condenser<br>f.ignition distributor<br>022.905.205 F<br>022.905.205 H                                 |        | 1   | 914-4/1,7            | 25   | 311 905 443    | water protection cap<br>for<br>spark plug connector                         |        | 4   |                             |
| 16   | 311 905 301   | contact-breaker carrier<br>with<br>pulse sender<br>f.ignition distributor                             |        | 1   | 914-4/1,7<br>914-2,0 | 26   | 113 035 255 A  | spark plug suppressor cap<br>62 MM<br>cylinder<br>1 + 3                     |        | 2   | 914-4/1,7<br>914-1,8V/2,0   |
| 17   | 111 905 265   | retainer spring<br>for<br>distributor cap   |        | 2   |                      | (26) | 113 035 255 A  | spark plug suppressor cap   |        | 4   | 914-1,8V/1,8<br>914-2,0     |
| 18   | 111 905 269   | fastening clip<br>for<br>retainer spring  |        | 2   |                      | (26) | 021 035 255    | screened connector<br>spark plug<br>85 MM<br>cylinder 4                     |        | 1   | 914-4/1,7<br>914-1,8V/1,8   |
|      |               |   |        |     |                      | (26) | 021 035 255 B  | screened connector<br>spark plug<br>98 MM<br>cylinder 2                     |        | 1   | 914-4/1,7<br>914-1,8V/1,8   |
|      |               |   |        |     |                      | 27   | 036 035 281    | suppression connector   |        | 5   | 914-1,7/1,8V<br>914-1,8/2,0 |

|       |      |    |    |              |              |     |              |            |         |     |         |
|-------|------|----|----|--------------|--------------|-----|--------------|------------|---------|-----|---------|
| Model | Year | MG | SG | Illustration | Restrictions | UPD | 18:28        | 30.01.2010 | PORSCHE | PET | PORSCHE |
| 914   | 1976 | 9  | 01 | 901-15       |              | 248 | USA / CANADA |            |         |     |         |

| Pos | Part Number   | Description              | Remark | Qty | Model                       | Pos | Part Number | Description | Remark | Qty | Model |
|-----|---------------|--------------------------|--------|-----|-----------------------------|-----|-------------|-------------|--------|-----|-------|
| 28  | 111 905 449 A | cap<br>for<br>spark plug |        | 4   |                             |     |             |             |        |     |       |
| 29  | 113 905 451 A | support                  |        | 3   | 914-4/1,7                   |     |             |             |        |     |       |
| 29  | 113 905 451 A | support                  |        | 2   | 914-1,8V/1,8<br>914-2,0     |     |             |             |        |     |       |
| 30  | 111 201 261   | support                  |        | 1   | 914-4                       |     |             |             |        |     |       |
| 30  | 111 201 261   | support                  |        | 2   | 914-1,7/1,8V<br>914-1,8/2,0 |     |             |             |        |     |       |

|       |      |    |    |              |              |     |              |            |         |     |         |
|-------|------|----|----|--------------|--------------|-----|--------------|------------|---------|-----|---------|
| Model | Year | MG | SG | Illustration | Restrictions | UPD | 18:28        | 30.01.2010 | PORSCHE | PET | PORSCHE |
| 914   | 1976 | 9  | 02 | 902-00       |              | 248 | USA / CANADA |            |         |     |         |

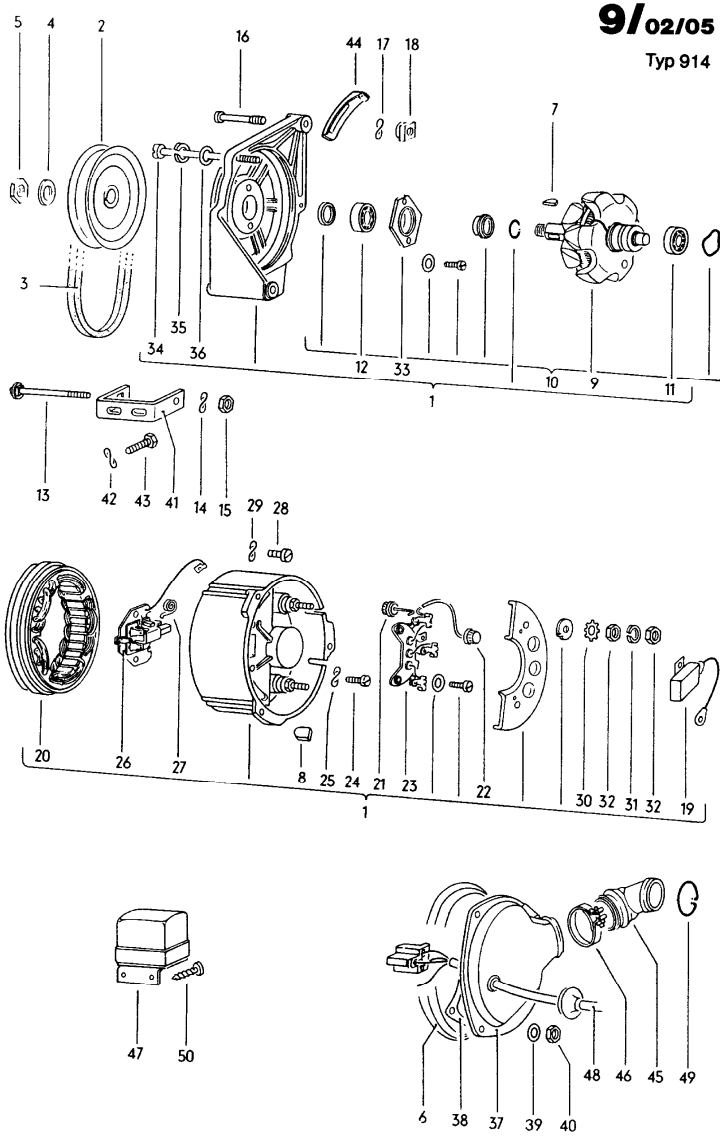


| Pos  | Part Number    | Description                                      | Remark | Qty | Model                   |
|------|----------------|--|--------|-----|-------------------------|
| 1    | 000 056 007    | battery fuse box                                 |        | 1   |                         |
| 1/1  | 914 611 116 00 | cap  |        | 1   |                         |
| 2    | 914 611 233 10 | tension terminal                                 |        | 1   |                         |
| 3    | 900 027 015 02 | lock ring B 8                                    |        | 1   |                         |
| 4    | A N 010 247 7  | hexagon-head bolt M 8 X 35                       |        | 1   |                         |
| 4    | N 010 247 8    | hexagon-head bolt M 8 X 35                       |        | 1   |                         |
| 5    | 010 409 549 B  | round seal                                       |        | 1   |                         |
| 6    | 914 611 031 00 | wiring harness battery starter not for TYP 914-6 |        | 1   |                         |
| 7    | 914 611 903 10 | ground strap                                     | -73    | 1   | 914-6/4/1,7<br>914-2,0  |
| (7)  | 914 611 904 11 | ground strap                                     | 74-    | 1   | 914-1,8V/1,8<br>914-2,0 |
| 8    | N 012 228 3    | spring washer B 8                                |        | 1   |                         |
| 9    | 900 076 025 02 | hexagon nut M 8                                  |        | 1   |                         |
| 10   | 914 612 315 10 | fuse box 12-pole                                 |        | 1   |                         |
| 11   | 914 612 316 10 | lid  |        | 1   |                         |
| 12   | 914 612 319 10 | bracket  | -73    | 1   | 914-6/4/1,7<br>914-2,0  |
| (12) | 914 612 319 11 | bracket  | 74-    | 1   | 914-1,8V/1,8<br>914-2,0 |
| 13   | 311 937 693    | speed nut  |        | 2   |                         |
| 14   | 900 143 007 02 | tapping screw B 4,2 X 13                         |        | 2   |                         |
| 15   | 900 115 012 01 | serrated lock washer A 5,1                       |        | 2   |                         |

|       |      |    |    |              |              |     |              |            |         |     |         |
|-------|------|----|----|--------------|--------------|-----|--------------|------------|---------|-----|---------|
| Model | Year | MG | SG | Illustration | Restrictions | UPD | 18:28        | 30.01.2010 | PORSCHE | PET | PORSCHE |
| 914   | 1976 | 9  | 02 | 902-00       |              | 248 | USA / CANADA |            |         |     |         |

| Pos | Part Number    | Description  | Remark | Qty | Model   | Pos | Part Number | Description | Remark | Qty | Model |
|-----|----------------|--|--------|-----|---------|-----|-------------|-------------|--------|-----|-------|
| 16  | 900 189 010 02 | oval-head sheetmetal screw<br>AM 5 X 10                          |        | 2   |         |     |             |             |        |     |       |
| 17  | N 042 121 3    | shake-proof washer<br>A 6,4                                      |        | 2   |         |     |             |             |        |     |       |
| 18  | 900 076 010 02 | hexagon nut<br>M 6   |        | 2   |         |     |             |             |        |     |       |
| 19  | 928 612 867 00 | cable connection   |        | 1   | 914-6/4 |     |             |             |        |     |       |
| 20  | 900 114 018 01 | shake-proof washer<br>A 5,1                                      |        | 1   | 914-6/4 |     |             |             |        |     |       |
| 21  | 900 146 003 02 | oval-head screw<br>AM 5 X 10                                     |        | 1   | 914-6/4 |     |             |             |        |     |       |
| 22  | N 015 429 2    | speed nut<br>B 4,2   |        | 2   | 914-6/4 |     |             |             |        |     |       |
| 23  | 900 025 002 02 | washer<br>4,3  |        | 2   | 914-6/4 |     |             |             |        |     |       |
| 24  | 900 187 017 02 | tapping screw<br>4,2 X 19  |        | 2   | 914-6/4 |     |             |             |        |     |       |
| 25  | 901 612 330 00 | multiple plug connection<br>6-pole<br>clutch<br>and<br>connector |        | 1   | 914-6   |     |             |             |        |     |       |
| 26  | 901 612 333 00 | plug socket<br>for<br>standard type relay                        |        | 1   |         |     |             |             |        |     |       |
| 27  | 901 612 334 00 | plug socket<br>for<br>flasher relay                              |        | 1   |         |     |             |             |        |     |       |

|       |      |    |    |              |              |     |              |            |         |     |         |
|-------|------|----|----|--------------|--------------|-----|--------------|------------|---------|-----|---------|
| Model | Year | MG | SG | Illustration | Restrictions | UPD | 18:28        | 30.01.2010 | PORSCHE | PET | PORSCHE |
| 914   | 1976 | 9  | 02 | 902-05       |              | 248 | USA / CANADA |            |         |     |         |



| Pos | Part Number     | Description  | Remark | Qty | Model                                       |
|-----|-----------------|--|--------|-----|---|
| 1   | > 022 903 023   | generator<br>single parts<br>generator<br>12 V 50 A<br>M >> W0 250 000<br>M >>EAO 098 793<br>M >>EBO 010 020<br>M >>ECO 037 551<br>M >>GAO 016 000 |        | 1   | 914<br>914-4/1,7<br>914-1,8/1,8V<br>914-2,0 |
| -   | 022 903 023 X   | generator<br>exchange<br>12 V 50 A<br>M >> W0 250 000<br>M >>EAO 098 793<br>M >>EBO 010 020<br>M >>ECO 037 551<br>M >>GAO 016 000                  |        | 1   | 914-4/1,7<br>914-1,8/1,8V<br>914-2,0        |
| (1) | > 022 903 023 A | generator<br>12 V 50 A<br>M ECO 037 552>><br>M GC0 000 001>>   |        | 1   | 914-1,8V/1,8<br>914-2,0                     |
| -   | 022 903 023 AX  | generator<br>exchange<br>12 V 50 A<br>M ECO 037 552>><br>M GC0 000 001>>   |        | 1   | 914-1,8/1,8V<br>914-2,0                     |
| 2   | 021 903 109 A   | pulley<br>M >> W0 250 000<br>M >>EAO 098 793<br>M >>EBO 010 020<br>M >>ECO 037 551<br>M >>GAO 016 000  |        | 1   |   |
| (2) | 022 903 109 A   | pulley<br>M ECO 037 552>><br>M GC0 000 001>>   |        | 1   | 914-1,8V/1,8<br>914-2,0                     |
| 3   | 068 903 137 D   | v-belt   |        | 1   |   |
| 4   | N 011 565 3     | washer<br>15   |        | 1   |   |
| 5   | 900 078 005 01  | hexagon nut<br>M 14 X 1,5  |        | 1   |   |

|       |      |    |    |              |              |     |              |            |         |     |         |
|-------|------|----|----|--------------|--------------|-----|--------------|------------|---------|-----|---------|
| Model | Year | MG | SG | Illustration | Restrictions | UPD | 18:28        | 30.01.2010 | PORSCHE | PET | PORSCHE |
| 914   | 1976 | 9  | 02 | 902-05       |              | 248 | USA / CANADA |            |         |     |         |

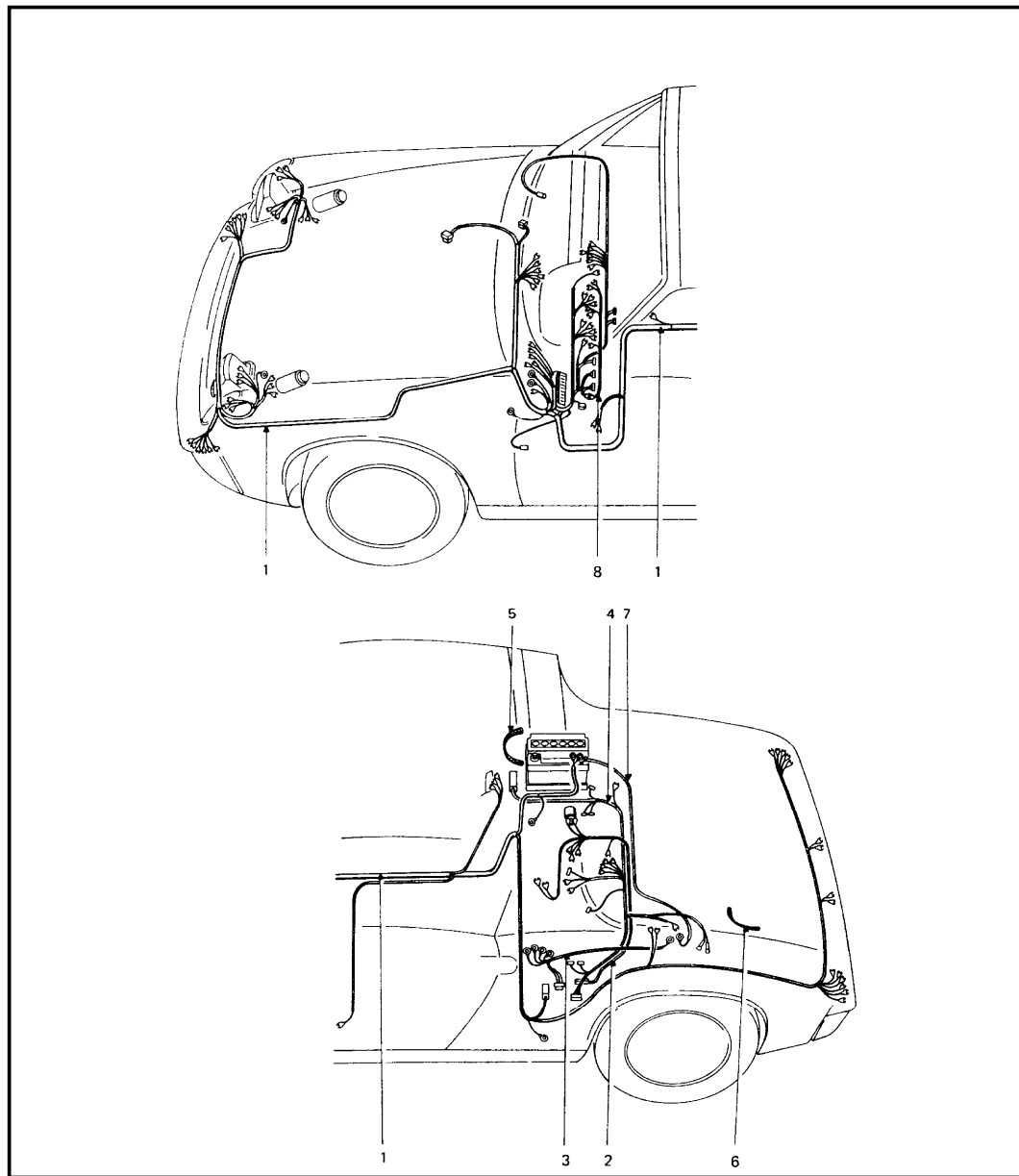
| Pos  | Part Number    | Description  | Remark | Qty | Model                   | Pos  | Part Number   | Description   | Remark | Qty | Model                   |
|------|----------------|--|--------|-----|-------------------------|------|---------------|---|--------|-----|-------------------------|
| 6    | 021 903 203    | gasket<br>for<br>generator<br>M >> W0 250 000<br>M >>EA0 098 793<br>M >>EB0 010 020<br>M >>EC0 037 551<br>M >>GA0 016 000          |        | 1   |                         | 17   | N 012 228 3   | spring washer<br>B 8  |        | 1   |                         |
| (6)  | 022 903 203    | gasket<br>for<br>generator<br>M EC0 037 552>><br>M GC0 000 001>>   |        | 1   | 914-1,8V/1,8<br>914-2,0 | 18   | 021 903 243 A | square nut<br>M 8   |        | 1   |                         |
| 7    | N 012 708 2    | woodruff key<br>4 X 5  |        | 1   |                         | 19   | 021 903 295   | suppressor condenser  |        | 1   |                         |
| 8    | 021 903 209    | gasket   |        | 2   |                         | 20   | 021 903 351 A | heating spiral<br>M >> W0 250 000<br>M >>EA0 098 793<br>M >>EB0 010 020<br>M >>EC0 037 551<br>M >>GA0 016 000 |        | 1   |                         |
| 9    | 022 903 213    | claw-pole rotor  |        | 1   |                         | (20) | 021 903 351 D | heating spiral<br>M EC0 037 552>><br>M GC0 000 001>>  |        | 1   | 914-1,8V/1,8<br>914-2,0 |
| 10   | 021 903 220    | parts kit<br>for<br>claw-pole rotor<br>M >> W0 250 000<br>M >>EA0 098 793<br>M >>EB0 010 020<br>M >>EC0 037 551<br>M >>GA0 016 000 |        | 1   |                         | 21   | 021 903 355   | diode<br>(-)  |        | 3   |                         |
| (10) | 059 903 205    | parts kit<br>for<br>claw-pole rotor<br>M EC0 037 552>><br>M GC0 000 001>>  |        | 1   | 914-1,8V/1,8<br>914-2,0 | 22   | 021 903 357   | diode<br>(+)  |        | 3   |                         |
| 11   | 021 903 221    | deep-groove ball bearing<br>for<br>housing<br>generator  |        | 1   |                         | (22) | 021 903 357 A | diode<br>(+)  |        | 3   | 914-1,8V/1,8<br>914-2,0 |
| 12   | 021 903 221 A  | deep-groove ball bearing<br>for<br>bearing shaft   |        | 1   |                         | 23   | 021 903 359 A | diode carrier   |        | 1   |                         |
| 13   | 021 903 231    | screw<br>M 8 X 71  |        | 1   |                         | 24   | N 010 698 1   | pan-head screw<br>AM 4 X 12   |        | 2   |                         |
| 14   | N 012 241 11   | spring washer<br>B 8   |        | 1   |                         | 25   | N 012 224 1   | spring washer<br>B 4  |        | 2   |                         |
| 15   | N 011 008 8    | hexagon nut<br>M 8   |        | 1   |                         | 26   | 021 903 503 A | retainer plate  |        | 1   |                         |
| 16   | 900 067 081 02 | pan-head screw<br>M 8 X 35   |        | 1   |                         | 27   | 021 903 519   | compression spring  |        | 2   |                         |
|      |                |  |        |     |                         | 28   | N 010 695 1   | pan-head screw<br>AM 4 X 6  |        | 1   |                         |
|      |                |  |        |     |                         | 29   | N 012 224 1   | spring washer<br>B 4  |        | 1   |                         |
|      |                |  |        |     |                         | 30   | N 012 106 1   | lock washer<br>J 6,4  |        | 1   |                         |
|      |                |  |        |     |                         | 31   | N 012 006 4   | lock ring<br>B 6  |        | 2   |                         |
|      |                |  |        |     |                         | 32   | N 011 116 1   | hexagon nut<br>BM 6   |        | 4   |                         |
|      |                |  |        |     |                         | 33   | 021 903 543   | retainer plate  |        | 1   |                         |

|       |      |    |    |              |              |     |              |            |         |     |         |
|-------|------|----|----|--------------|--------------|-----|--------------|------------|---------|-----|---------|
| Model | Year | MG | SG | Illustration | Restrictions | UPD | 18:28        | 30.01.2010 | PORSCHE | PET | PORSCHE |
| 914   | 1976 | 9  | 02 | 902-05       |              | 248 | USA / CANADA |            |         |     |         |

| Pos  | Part Number    | Description   | Remark | Qty | Model                   | Pos  | Part Number   | Description  | Remark | Qty | Model                   |
|------|----------------|---|--------|-----|-------------------------|------|---------------|--|--------|-----|-------------------------|
| (34) | 021 903 555    | bolt<br>M ECO 037 552>><br>M GC0 000 001>>  |        | 3   | 914-1,8V/1,8<br>914-2,0 | (46) | 021 903 659   | hose clamp<br>M >> W0 129 581  |        | 1   | 914-4                   |
| 34   | 021 903 555 A  | bolt<br>M >> W0 250 000<br>M >>EAO 098 793<br>M >>EBO 010 020<br>M >>ECO 037 551<br>M >>GA0 016 000 |        | 3   |                         | 46   | 021 903 659 A | hose clamp<br>M W0 129 582 >><br>M ECO 000 001>><br>M GC0 000 001>><br>M >> W0 250 000<br>M >>EAO 098 793<br>M >>EBO 010 020<br>M >>ECO 037 551<br>M >>GA0 016 000 | 72-    | 1   |                         |
| 35   | N 012 005 3    | lock ring<br>B 5  |        | 1   |                         | (47) | -             | regulator<br>shielded<br>see group<br>9/01/00  |        | X   |                         |
| 36   | 900 025 003 02 | washer<br>A 5,3   |        | 1   |                         | 47   | -             | regulator<br>see group<br>9/01/00  |        | X   |                         |
| 37   | 021 903 621    | suction housing<br>for<br>generator   |        | 1   |                         | 48   | 021 971 349 D | 1 set<br>lines<br>regulator<br>generator   |        | 1   |                         |
| 38   | 021 903 637    | gasket<br>for<br>suction housing  |        | 1   |                         | -    | 111 971 911 A | rubber sleeve  |        | 1   | 914-2,0                 |
| 39   | 900 028 007 02 | spring washer<br>B 5  |        | 3   |                         | 49   | 021 903 657   | circlip<br>\$ 44,5 MM<br>M >> W0 250 000<br>M >>EAO 098 793<br>M >>EBO 010 020<br>M >>ECO 037 551<br>M >>GA0 016 000   | 72-    | 1   |                         |
| 40   | N 011 115 1    | hexagon nut<br>BM 5   |        | 3   |                         | (49) | 022 903 657   | circlip<br>\$ 50,5 MM<br>M ECO 037 552>><br>M GC0 000 001>>  |        | 1   | 914-1,8V/1,8<br>914-2,0 |
| 41   | 022 903 645    | bracket   |        | 1   |                         | 50   | N 013 968 1   | tapping screw<br>B 4,8 X 13  |        | 2   |                         |
| 42   | N 012 228 3    | spring washer<br>B 8  |        | 2   |                         | -    | 021 903 791 A | 1 set<br>connecting piece<br>terminal<br>B +<br>M ECO 037 552>><br>M GC0 000 001>>   |        | 1   | 914-1,8V/1,8<br>914-2,0 |
| 43   | 900 075 085 02 | hexagon-head bolt<br>M 8 X 20   |        | 2   |                         | (45) | 021 903 655   | elbow<br>M >> W0 129 581   |        | 1   | 914-4                   |
| 44   | 022 903 646    | bracket   |        | 1   |                         | 45   | 021 903 655 B | elbow<br>M W0 129 582 >><br>M >> W0 250 000<br>M >>EAO 098 793<br>M >>EBO 010 020<br>M >>ECO 037 551<br>M >>GA0 016 000  | 72-    | 1   |                         |
| (45) | 021 903 655    | elbow<br>M >> W0 129 581  |        | 1   | 914-4                   | (45) | 021 903 655 D | elbow<br>M ECO 037 552>><br>M GC0 000 001>>  |        | 1   | 914-1,8V/1,8<br>914-2,0 |



|       |      |    |    |              |              |     |              |            |         |     |         |
|-------|------|----|----|--------------|--------------|-----|--------------|------------|---------|-----|---------|
| Model | Year | MG | SG | Illustration | Restrictions | UPD | 18:29        | 30.01.2010 | PORSCHE | PET | PORSCHE |
| 914   | 1976 | 9  | 02 | 902-10       |              | 248 | USA / CANADA |            |         |     |         |



| Pos | Part Number    | Description  | Remark | Qty | Model        |
|-----|----------------|--|--------|-----|--------------|
|     |                | wiring harnesses                                     |        |     | 914          |
| 1   | 914 612 018 10 | wiring harness                                       | -70    | 1   | 914-4        |
| (1) | 914 612 018 12 | wiring harness                                       | 71-    | 1   | 914-4        |
| (1) | 914 612 018 13 | wiring harness<br>F 47229 00001>>                    | 72-    | 1   | 914-4        |
| (1) | 914 612 018 15 | wiring harness                                       | -73    | 1   | 914-1,7/2,0  |
| (1) | 914 612 018 16 | wiring harness                                       | 74-    | 1   | 914-1,8V/2,0 |
| (1) | 914 612 018 17 | wiring harness                                       | 75-    | 1   | 914-1,8V/2,0 |
| (1) | 914 612 021 10 | wiring harness                                       | -70    | 1   | 914-4        |
| (1) | 914 612 021 12 | wiring harness<br>F >>47229 00008                    | 71-    | 1   | 914-4        |
| (1) | 914 612 021 13 | wiring harness<br>F 47229 00009>><br>F >>47229 08250 |        | 1   | 914-4        |
| (1) | 914 612 021 14 | wiring harness<br>F 47229 08251>>                    | 72-    | 1   | 914-4        |
| (1) | 914 612 021 15 | wiring harness                                       | -73    | 1   | 914-1,7/2,0  |
| (1) | 914 612 021 16 | wiring harness                                       | 74-    | 1   | 914-1,8/2,0  |
| (1) | 914 612 021 17 | wiring harness                                       | 75-    | 1   | 914-1,8/2,0  |
| -   | 311 971 913    | grommet<br>for<br>handbrake contact piece            |        | 1   |              |
| 2   | 914 612 007 13 | wiring harness<br>engine<br>regulator<br>plate       | -71    | 1   | 914-4        |
| (2) | 914 612 007 13 | wiring harness<br>engine<br>regulator<br>plate       | 72-    | 1   | 914-4        |
| (2) | 914 612 007 15 | wiring harness<br>engine<br>regulator<br>plate       | -73    | 1   | 914-1,7/2,0  |
| (2) | 914 612 007 16 | wiring harness<br>engine<br>regulator<br>plate       | 74-    | 1   | 914-1,8V/2,0 |

|       |      |    |    |              |              |     |              |            |         |     |         |
|-------|------|----|----|--------------|--------------|-----|--------------|------------|---------|-----|---------|
| Model | Year | MG | SG | Illustration | Restrictions | UPD | 18:29        | 30.01.2010 | PORSCHE | PET | PORSCHE |
| 914   | 1976 | 9  | 02 | 902-10       |              | 248 | USA / CANADA |            |         |     |         |

| Pos | Part Number    | Description   | Remark | Qty | Model                   | Pos | Part Number    | Description  | Remark | Qty | Model                   |
|-----|----------------|---|--------|-----|-------------------------|-----|----------------|--|--------|-----|-------------------------|
| (2) | 914 612 016 16 | wiring harness<br>engine<br>regulator<br>plate  |        | 1   | 914-1,8                 | -   | 900 076 025 02 | hexagon nut<br>M 8   |        | 2   |                         |
| 3   | ---            | wiring harness<br>generator<br>see group<br>9/02/05   |        | X   |                         | -   | N 012 228 3    | spring washer<br>B8  |        | 2   |                         |
| -   | 914 612 151 10 | wiring harness<br>for<br>centre console   |        | 1   |                         | 7   | 914 611 031 00 | wiring harness<br>battery<br>starter                               |        | 1   |                         |
| -   | 914 612 155 10 | cable<br>for<br>instrument cluster<br>without<br>centre console   |        | 1   | 914-2,0                 | 8   | 914 612 041 10 | wiring harness<br>for<br>lights<br>instruments                     | -73    | 1   | 914-4/1,7<br>914-2,0    |
| -   | 901 612 043 01 | positive cable<br>instrument cluster  |        | 1   | 914-2,0                 | (8) | 914 612 041 20 | wiring harness<br>for<br>lights<br>instruments                     | -73    | 1   | 914-1,7/2,0             |
| 4   | ---            | lines<br>for<br>control unit<br>see group<br>9/01/05  |        | X   |                         | -   | 911 617 107 00 | diode<br>for<br>brakes<br>warning function                         |        | 1   |                         |
| -   | 914 612 149 14 | wiring harness<br>warning contact<br>seat belt<br>for<br>seat<br>passenger's side                         | 72-    | 1   | 914-4/1,7<br>914-2,0    | -   | 914 612 051 10 | additional cables<br>for<br>direction indicator light              |        | 2   |                         |
| -   | 914 612 149 14 | wiring harness<br>warning contact<br>seat belt<br>for<br>seat<br>driver's side<br>and<br>passenger's side | 74-    | 2   | 914-1,8/2,0             | -   | 914 612 052 10 | additional cables<br>for<br>switch<br>high-beam headlight          | -73    | 1   | 914-4/1,7<br>914-2,0    |
| 5   | 914 611 903 10 | ground strap<br>battery<br>body   | -73    | 1   | 914-4/1,7<br>914-2,0    | 8   | 914 612 052 11 | additional cables<br>for<br>switch<br>high-beam headlight          |        | 1   | 914-1,8V/2,0            |
| (5) | 914 611 904 11 | ground strap<br>battery<br>body   | 74-    | 1   | 914-1,8V/1,8<br>914-2,0 | -   | 914 612 051 10 | additional cables<br>for<br>direction indicator light              | 75-    | 1   | 914-1,8V/1,8<br>914-2,0 |
| 6   | 999 611 919 20 | ground strap<br>transmission<br>suspension  |        | 1   |                         | -   | 914 612 056 10 | additional cables<br>for<br>rear window heating                    |        | 1   | 914-4                   |
|     |                |   |        |     |                         | -   | 914 612 161 20 | cable<br>ground strap<br>for<br>fuel pump                          |        | 1   | 914-1,8V/1,8<br>914-2,0 |
|     |                |   |        |     |                         | -   | 914 612 056 13 | additional cables<br>for<br>rear window heating<br>F 47229 00001>> | 72-    | 1   | 914-4/1,7<br>914-2,0    |

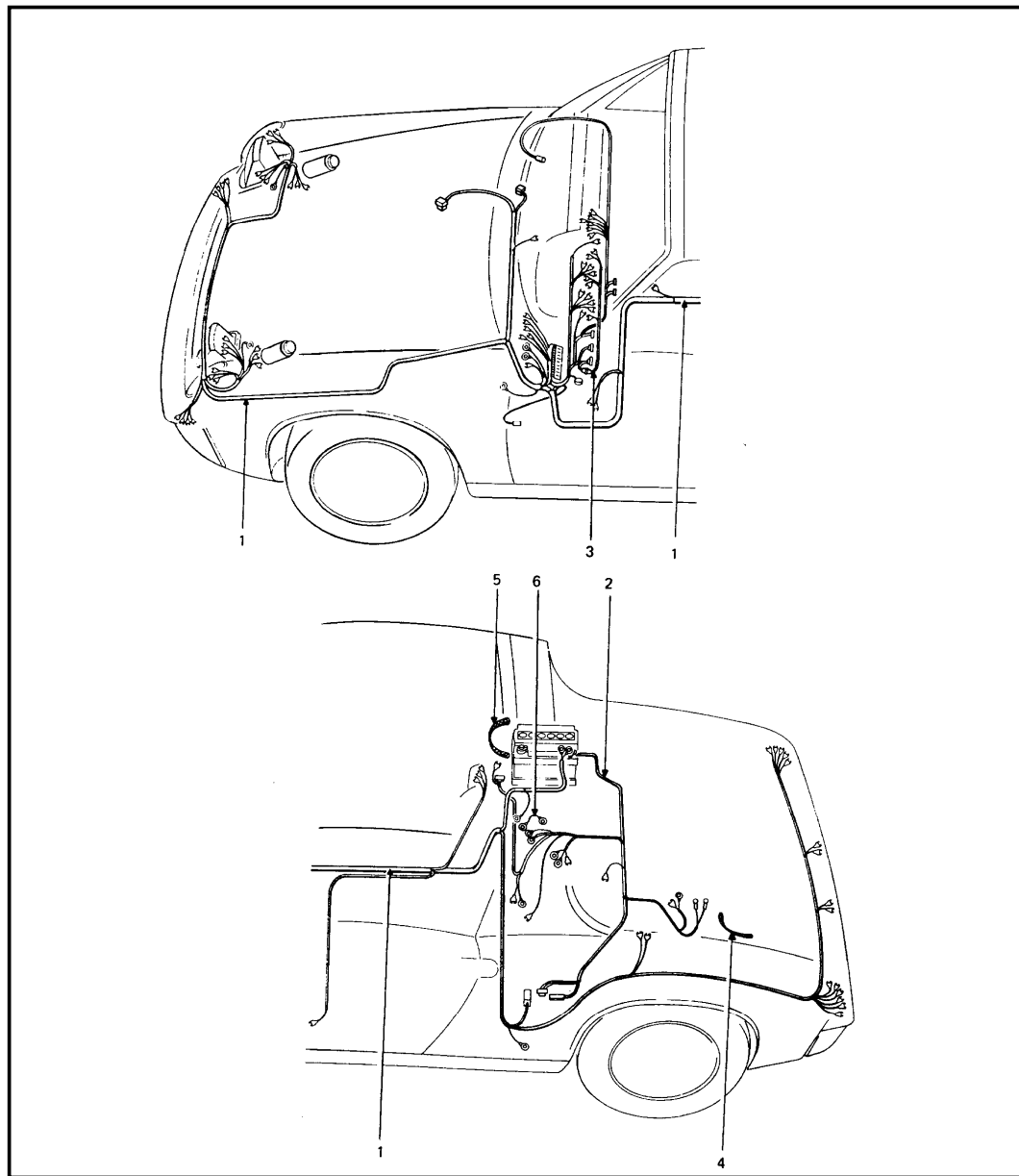
|       |      |    |    |              |              |     |              |            |         |     |         |
|-------|------|----|----|--------------|--------------|-----|--------------|------------|---------|-----|---------|
| Model | Year | MG | SG | Illustration | Restrictions | UPD | 18:29        | 30.01.2010 | PORSCHE | PET | PORSCHE |
| 914   | 1976 | 9  | 02 | 902-10       |              | 248 | USA / CANADA |            |         |     |         |

| Pos | Part Number    | Description   | Remark | Qty | Model                     | Pos | Part Number    | Description   | Remark | Qty | Model                   |
|-----|----------------|---|--------|-----|---------------------------|-----|----------------|---|--------|-----|-------------------------|
| -   | 914 612 056 14 | additional cables<br>for<br>rear window heating   | 74-    | 1   | 914-1,8V/1,8<br>914-2,0   | -   | 914 612 067 10 | diode<br>with<br>cable<br>for<br>relay                                |        | 1   |                         |
| -   | 914 612 057 10 | wiring harness<br>switch<br>for<br>fog headlamp<br>and<br>rear fog light                    |        | 1   | 914-4                     | -   | 914 612 132 12 | wiring harness<br>for<br>brakes<br>warning system                     |        | 1   |                         |
| -   | 914 612 057 13 | wiring harness<br>switch<br>for<br>fog headlamp<br>and<br>rear fog light<br>F 47229 00001>> | 72-    | 1   |                           | -   | 914 612 173 00 | additional cables<br>for<br>headlight washer system<br>(S)            | 74-    | 1   | 914-1,8V/1,8<br>914-2,0 |
| -   | 914 612 049 16 | additional cables<br>for<br>emergency light switch<br>brake<br>single pole                  | 74-    | 1   | 914-1,8V/1,8<br>914-2,0   | -   | 914 612 143 10 | additional cables<br>for<br>interval relay<br>windscreen wiper system | 72-    | 1   |                         |
| -   | 914 612 053 10 | wiring harness<br>for<br>radio<br>- BLAUPUNKT -   |        | 1   |                           | -   | 914 612 123 10 | wiring harness<br>repair material<br>FRONT luggage compartment        |        | 1   | 914-4                   |
| -   | 914 612 055 10 | cable for loudspeaker<br>for<br>radio<br>- BLAUPUNKT -                                      |        | 1   |                           | -   | 911 612 122 03 | clutch<br>for<br>regulator<br>plate                                   |        | 1   |                         |
| -   | 914 612 115 10 | additional cables<br>for<br>rear fog light  |        | 1   | 914-4/1,7<br>914-2,0      | -   | 901 612 891 02 | clutch<br>for<br>sender<br>fuel-level indicator<br>and<br>blower      |        | 1   |                         |
| -   | 914 612 115 13 | additional cables<br>for<br>rear fog light  | 72-    | 1   | 914-4/1,7<br>914-1,8V/1,8 | -   | 901 612 893 01 | clutch<br>for<br>regulator  |        | 1   |                         |
| -   | 914 612 065 10 | additional cables<br>for<br>double<br>horn  |        | 1   | 914-4                     | -   | 999 652 167 40 | terminal sleeve housing<br>for<br>generator                           |        | 1   |                         |
| -   | 914 612 177 00 | additional cables<br>for<br>double<br>horn  | 75-    | 1   | 914-1,8V/1,8<br>914-2,0   | -   | 930 612 914 00 | cap   |        | 1   |                         |
|     |                |   |        |     |                           | -   | 999 613 017 40 | covering<br>for<br>cable holder                                       |        | *   |                         |
|     |                |   |        |     |                           | -   | -              | 100 MM  |        | X   |                         |
|     |                |   |        |     |                           | -   | -              | 70 MM   |        | X   |                         |
|     |                |   |        |     |                           | -   | -              | 50 MM   |        | X   |                         |

|       |      |    |    |              |              |     |              |            |         |     |         |
|-------|------|----|----|--------------|--------------|-----|--------------|------------|---------|-----|---------|
| Model | Year | MG | SG | Illustration | Restrictions | UPD | 18:29        | 30.01.2010 | PORSCHE | PET | PORSCHE |
| 914   | 1976 | 9  | 02 | 902-10       |              | 248 | USA / CANADA |            |         |     |         |

| Pos | Part Number    | Description   | Remark | Qty | Model | Pos | Part Number | Description | Remark | Qty | Model |
|-----|----------------|---|--------|-----|-------|-----|-------------|-------------|--------|-----|-------|
| -   | -              | 40 MM   |        | X   |       |     |             |             |        |     |       |
| -   | 999 652 106 02 | flat receptacle<br>for<br>repair material<br>wiring harness<br>914 612 123 10 |        | 12  | 914-4 |     |             |             |        |     |       |
| -   | 999 652 107 02 | flat receptacle<br>for<br>repair material<br>wiring harness<br>914 612 123 10 |        | 2   | 914-4 |     |             |             |        |     |       |
| -   | 999 513 002 40 | tie-wrap<br>for<br>headlamp<br>housing  |        | 2   |       |     |             |             |        |     |       |
| -   | 999 513 021 40 | tie-wrap<br>for<br>starter  |        | 1   |       |     |             |             |        |     |       |
| -   | 999 513 007 40 | tie-wrap<br>for<br>engine<br>cable<br>4                                       |        | 2   |       |     |             |             |        |     |       |
| -   | 311 821 189    | sealing washer  |        | 2   |       |     |             |             |        |     |       |

|       |      |    |    |              |              |     |              |            |         |     |         |
|-------|------|----|----|--------------|--------------|-----|--------------|------------|---------|-----|---------|
| Model | Year | MG | SG | Illustration | Restrictions | UPD | 18:29        | 30.01.2010 | PORSCHE | PET | PORSCHE |
| 914   | 1976 | 9  | 02 | 902-15       |              | 248 | USA / CANADA |            |         |     |         |



| Pos | Part Number    | Description  | Remark | Qty | Model |
|-----|----------------|--|--------|-----|-------|
|     |                | wiring harnesses   |        |     | 914-6 |
| 1   | 914 612 019 10 | wiring harness   |        | 1   |       |
| (1) | 914 612 018 13 | wiring harness   | 72-    | 1   |       |
| (1) | 914 612 047 10 | wiring harness   |        | 1   |       |
| -   | 311 971 913    | grommet<br>for<br>handbrake contact piece                                  |        | 1   |       |
| 2   | 914 612 046 10 | wiring harness<br>control board<br>engine                                  |        | 1   |       |
| (2) | 914 612 046 10 | wiring harness<br>control board<br>engine                                  |        | 1   |       |
| -   | 914 612 317 12 | connecting line<br>wiring harness<br>control board                         | 72-    | 1   |       |
| 3   | 914 612 041 10 | wiring harness<br>light<br>instruments                                     |        | 1   |       |
| -   | 914 612 145 10 | connecting line<br>wiring harness<br>oil temperature<br>instrument cluster | 72-    | 1   |       |
| 4   | 999 611 919 20 | ground strap<br>transmission<br>suspension                                 |        | 1   |       |
| -   | 901 612 043 01 | positive cable<br>sender<br>oil temperature                                | 72-    | 1   |       |
| 5   | 914 611 903 10 | ground strap<br>battery<br>body  |        | 1   |       |
| -   | 900 076 025 02 | hexagon nut<br>M 8   |        | 2   |       |
| -   | N 012 228 3    | spring washer<br>B 8   |        | 2   |       |
| 6   | 901 612 099 00 | ground strap<br>ignition coil<br>KL.1                                      |        | 1   |       |

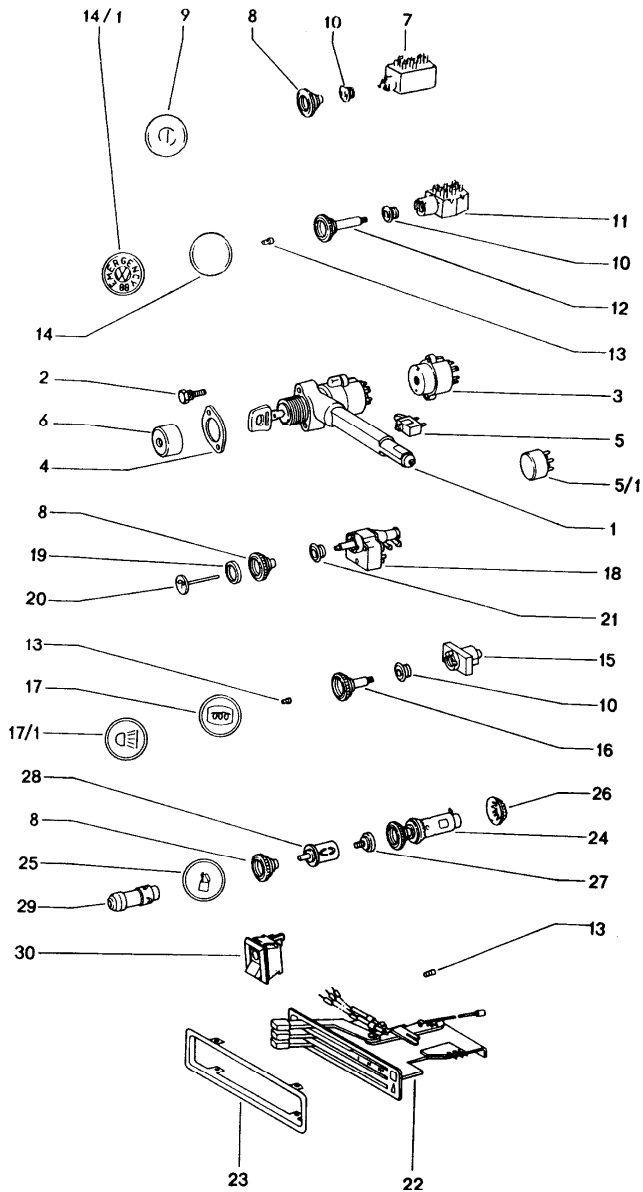
|       |      |    |    |              |              |     |              |            |         |     |         |
|-------|------|----|----|--------------|--------------|-----|--------------|------------|---------|-----|---------|
| Model | Year | MG | SG | Illustration | Restrictions | UPD | 18:29        | 30.01.2010 | PORSCHE | PET | PORSCHE |
| 914   | 1976 | 9  | 02 | 902-15       |              | 248 | USA / CANADA |            |         |     |         |

| Pos | Part Number    | Description  | Remark | Qty | Model | Pos | Part Number    | Description   | Remark | Qty | Model |
|-----|----------------|--|--------|-----|-------|-----|----------------|---|--------|-----|-------|
| -   | 911 617 107 00 | diode<br>for<br>brake<br>warning function                      |        | 1   |       | -   | 911 612 122 02 | connector housing<br>12-pole<br>AM<br>wiring harness<br>for<br>steering column switch |        | 1   |       |
| -   | 914 612 051 10 | additional cables<br>direction indicator light                 |        | 1   |       | -   | 911 612 887 00 | connector housing<br>2-pole<br>buzzer contact<br>steering lock                        |        | 1   |       |
| -   | 914 612 052 10 | additional cables<br>high-beam headlight                       |        | 1   |       | -   | 911 612 889 00 | connector housing<br>10-pole<br>steering lock   |        | 1   |       |
| -   | 914 612 057 10 | wiring harness<br>for fog lamp<br>and<br>rear fog light        |        | 1   |       | -   | 901 612 891 02 | clutch<br>sender<br>and<br>blower   |        | 1   |       |
| -   | 914 612 132 12 | wiring harness<br>for<br>brake light switch                    |        | 1   |       | -   | 901 612 893 01 | clutch<br>for<br>regulator  |        | 1   |       |
| -   | 914 612 132 12 | wiring harness<br>for<br>brakes<br>warning function            |        | 1   |       | -   | 999 652 167 40 | terminal sleeve housing<br>for<br>generator   |        | 1   |       |
| -   | 914 612 054 10 | wiring harness<br>-BLAUPUNKT-<br>radio                         |        | 1   |       | -   | 901 612 899 00 | clutch<br>for<br>BHKZ   |        | 1   |       |
| -   | 914 612 055 10 | cable for loudspeaker<br>-BLAUPUNKT-<br>radio                  |        | 1   |       | -   | 930 612 914 00 | cap   |        | 1   |       |
| -   | 914 612 115 10 | additional cables<br>rear fog light                            |        | 1   |       | -   | 999 613 017 40 | covering<br>for<br>cable holder   |        | *   |       |
| -   | 914 612 060 10 | cable for loudspeaker<br>-BECKER-<br>radio                     |        | 1   |       | -   | -              | 100 MM  |        | X   |       |
| -   | 914 612 067 10 | diode<br>with<br>cable<br>for<br>relay                         | 72-    | 1   |       | -   | -              | 70 MM   |        | X   |       |
| -   | 914 612 121 10 | wiring harness<br>-BECKER-<br>radio                            |        | 1   |       | -   | -              | 50 MM   |        | X   |       |
| -   | 914 612 123 10 | wiring harness<br>repair material<br>FRONT luggage compartment |        | 1   |       | -   | -              | 40 MM   |        | X   |       |
| -   | 911 612 115 03 | connector housing<br>control board<br>engine                   |        | 1   |       | -   | 999 652 106 02 | flat receptacle<br>for<br>914.612.123.10<br>repair kit<br>cable holder                |        | 12  |       |

|       |      |    |    |              |              |     |              |            |         |     |         |
|-------|------|----|----|--------------|--------------|-----|--------------|------------|---------|-----|---------|
| Model | Year | MG | SG | Illustration | Restrictions | UPD | 18:29        | 30.01.2010 | PORSCHE | PET | PORSCHE |
| 914   | 1976 | 9  | 02 | 902-15       |              | 248 | USA / CANADA |            |         |     |         |

| Pos | Part Number    | Description  | Remark | Qty | Model | Pos | Part Number | Description | Remark | Qty | Model |
|-----|----------------|--|--------|-----|-------|-----|-------------|-------------|--------|-----|-------|
| -   | 999 652 107 02 | flat receptacle<br>for<br>914.612.123.10<br>repair kit<br>cable holder |        | 2   |       |     |             |             |        |     |       |
| -   | 999 513 002 40 | tie-wrap<br>for<br>headlamp<br>housing                                 |        | 2   |       |     |             |             |        |     |       |
| -   | 999 513 021 40 | tie-wrap<br>for<br>starter   |        | 1   |       |     |             |             |        |     |       |
| -   | 999 513 023 40 | tie-wrap<br>for<br>cable<br>BHKZ                                       |        | 1   |       |     |             |             |        |     |       |

|       |      |    |    |              |              |     |              |            |         |     |         |
|-------|------|----|----|--------------|--------------|-----|--------------|------------|---------|-----|---------|
| Model | Year | MG | SG | Illustration | Restrictions | UPD | 18:29        | 30.01.2010 | PORSCHE | PET | PORSCHE |
| 914   | 1976 | 9  | 03 | 903-00       |              | 248 | USA / CANADA |            |         |     |         |



| Pos | Part Number    | Description   | Remark | Qty | Model                       |
|-----|----------------|---|--------|-----|-----------------------------|
| 1   | 911 613 901 00 | switch<br>dashboard trim  |        | 1   | 914-6                       |
| (1) | 911 613 902 00 | steering lock<br>without<br>buzzer contact<br>with<br>key<br>w/o stipulated lock number |        | 1   | 914-6                       |
| (1) | 911 613 903 01 | steering lock<br>with<br>buzzer contact<br>with<br>key<br>w/o stipulated lock number    |        | 1   | 914-6                       |
| (1) | 911 613 904 01 | steering lock<br>without<br>buzzer contact<br>with<br>key<br>state lock number          |        | 1   | 914-6                       |
| (1) | 911 613 904 01 | steering lock<br>with<br>buzzer contact<br>with<br>key<br>state lock number             |        | 1   | 914-6                       |
| 2   | 999 219 017 02 | shear bolt  |        | 2   | 914-6                       |
| 3   | 911 613 017 01 | ignition starter switch   |        | 1   | 914-6                       |
| 4   | 911 347 613 00 | lock washer   |        | 1   | 914-6                       |
| 5   | 911 613 125 00 | buzzer contact  |        | 1   | 914-6                       |
| 5/1 | 914 615 112 10 | buzzer  | -73    | 1   | 914-6/4/1,7<br>914-2,0      |
| 6   | 914 613 163 00 | trim cover  |        | 1   | 914-6                       |
| 7   | 914 613 414 10 | light switch  | -71    | 1   | 914-6/4                     |
| (7) | 914 613 414 15 | light switch<br>see classic technical<br>information<br>2/94                            | 72-    | 1   | 914-1,7/1,8V<br>914-1,8/2,0 |
| 8   | 111 941 541 F  | knob  | -71    | 3   | 914-6/4                     |
| (8) | 111 941 541 F  | gearshift knob  | 72-    | 3   | 914-1,7/1,8V<br>914-1,8/2,0 |
| 9   | 111 941 543 G  | cap with symbol   |        | 1   |                             |



|       |      |    |    |              |              |     |              |            |         |     |         |
|-------|------|----|----|--------------|--------------|-----|--------------|------------|---------|-----|---------|
| Model | Year | MG | SG | Illustration | Restrictions | UPD | 18:29        | 30.01.2010 | PORSCHE | PET | PORSCHE |
| 914   | 1976 | 9  | 03 | 903-00       |              | 248 | USA / CANADA |            |         |     |         |

| Pos  | Part Number    | Description  | Remark | Qty | Model                       | Pos  | Part Number    | Description   | Remark | Qty | Model                   |
|------|----------------|--|--------|-----|-----------------------------|------|----------------|---|--------|-----|-------------------------|
| (9)  | 113 941 543 B  | cap with symbol<br>not for<br>TYP 914-1,8V                                 |        | 1   |                             | 17/1 | 111 941 543 H  | cap with symbol<br>transparent<br>yellow<br>for<br>rear fog light<br>fog headlamp |        | 1   |                         |
| 10   | 111 941 515 D  | rosette<br>M 14 X 1  |        | 4   |                             |      |                |   |        |     |                         |
| 11   | 411 953 235 A  | hazard warning light sw.   |        | 1   |                             | 18   | 141 955 517 A  | wiper switch  |        | 1   | 914-4                   |
| (11) | 411 953 235 B  | hazard warning light sw.<br>not for<br>TYP 914-1,8V                        |        | 1   |                             | 19   | 111 941 547    | ring  |        | 1   | 914-4                   |
| 12   | 914 613 433 10 | handle knob  | -71    | 1   | 914-6/4                     | 20   | 914 613 428 10 | triggering button   |        | 1   | 914-4                   |
| (12) | 411 953 245 A  | handle knob  | 72-    | 1   | 914-1,7/1,8<br>914-2,0      | 21   | 111 941 515 D  | rosette<br>M 14 X 1   |        | 1   | 914-4                   |
| 13   | 900 631 129 90 | bulb<br>W 2 X 4,6 D - 12 V 1,2 W   |        | 3   |                             | 22   | --- --- --- -- | blower switch<br>complete<br>see group<br>8/13/00                                 |        | 1   |                         |
| 14   | 111 941 543 F  | cover<br>red<br>without<br>identification<br>for<br>emergency light switch |        | 1   |                             | 23   | 901 613 114 00 | moulding<br>F >>47529 00010   |        | 1   |                         |
| 14/1 | 113 941 543 E  | cap with symbol<br>transparent<br>red<br>not for<br>TYP 914-1,8V           |        | 1   |                             | (24) | PCG 652 104 11 | cigarette lighter<br>complete   |        | 1   |                         |
| -    | 914 613 030 15 | switch<br>complete<br>for<br>rear fog light<br>and<br>fog headlamp         |        | 1   |                             | 25   | 911 613 235 01 | cap with symbol<br>for<br>cigarette lighter                                       |        | 1   |                         |
| 15   | 914 613 419 11 | switch housing<br>fog headlamp<br>rear window heating<br>rear fog light    |        | 1   |                             | 26   | 914 652 115 10 | clamping washer<br>for<br>cigarette lighter<br>914.652.104.10                     |        | 1   |                         |
| 16   | 914 613 435 10 | handle knob  | -71    | 1   | 914-6/4                     | 27   | 644 652 112 00 | glower<br>cigarette lighter   |        | 1   |                         |
| (16) | 111 953 245 E  | handle knob  | 72-    | 1   | 914-1,7/1,8V<br>914-1,8/2,0 | 28   | 901 652 122 01 | connector<br>cigarette lighter<br>with<br>picture<br>8, 25, 27                    |        | 1   |                         |
| 17   | 411 941 543 C  | cap with symbol<br>transparent<br>green<br>for<br>rear window<br>heatable  |        | 1   |                             | 29   | 901 613 801 00 | connector   |        | 1   |                         |
|      |                |  |        |     |                             | 30   | 911 613 319 01 | tip switch<br>headlight washer system<br>(S)                                      | 74-    | 1   | 914-1,8V/1,8<br>914-2,0 |

|       |      |    |    |              |              |     |              |            |         |     |         |
|-------|------|----|----|--------------|--------------|-----|--------------|------------|---------|-----|---------|
| Model | Year | MG | SG | Illustration | Restrictions | UPD | 18:29        | 30.01.2010 | PORSCHE | PET | PORSCHE |
| 914   | 1976 | 9  | 03 | 903-05       |              | 248 | USA / CANADA |            |         |     |         |

| Pos | Part Number    | Description   | Remark | Qty | Model                       |
|-----|----------------|---|--------|-----|-----------------------------|
|     |                | switch<br>relay<br>horn   |        |     |                             |
|     |                | combined switch<br>see group<br>9/03/10   |        |     | 914-6                       |
|     |                | steering column switch<br>see group<br>9/03/15                                      | -71    |     |                             |
|     |                | steering column switch<br>see group<br>9/03/20                                      | 72-    |     |                             |
| 1   | 914 618 410 00 | interval relay  | -72    | 1   | 914-4                       |
| (1) | 111 955 531    | interval relay  | 73-    | 1   | 914-1,7/1,8V<br>914-1,8/2,0 |
| 2   | 911 613 411 00 | brake light switch  |        | 1   |                             |
| 3   | 113 947 561 D  | contact switch<br>handbrake contact piece   | -73    | 1   | 914-6/4/1,7<br>914-2,0      |
| (3) | 113 947 561 G  | contact switch<br>handbrake contact piece   | /2,0   | 74- | 1 914-1,8V/1,8              |
| (3) | 113 947 561 D  | contact switch  | 2,0    | -73 | 2 914-6/4/1,7               |
| (3) | 113 947 561 G  | contact switch  | 74-    | 2   | 914-1,8V/2,0                |
| (3) | 113 947 561 E  | door contact switch   | 2,0    | -73 | 2 914-6/4/1,7               |
| (3) | 113 947 561 H  | switch  | 74-    | 2   | 914-1,8/2,0                 |
| 4   | 113 947 565    | gasket<br>for<br>door contact switch  |        | 2   |                             |
| 5   | N 013 958 7    | tapping screw<br>A 3,5 X 19   |        | 2   |                             |
| 6   | 133 919 439    | warning time relay<br>seat belt<br>replacement<br>911 617 118 00<br>F >>47529 07947 | 74-    | 1   | 914-1,8/2,0                 |
| (6) | 321 919 433    | relay<br>F 47529 07948>>  |        | 1   | 914-1,8/2,0                 |
| 7   | 914 615 123 00 | terminal sleeve housing<br>F >>47529 07947  | 74-    | 1   | 914-1,8/2,0                 |
| (7) | 911 615 123 00 | relay carrier<br>for<br>171 919 433   |        | 1   | 914-1,8/2,0                 |

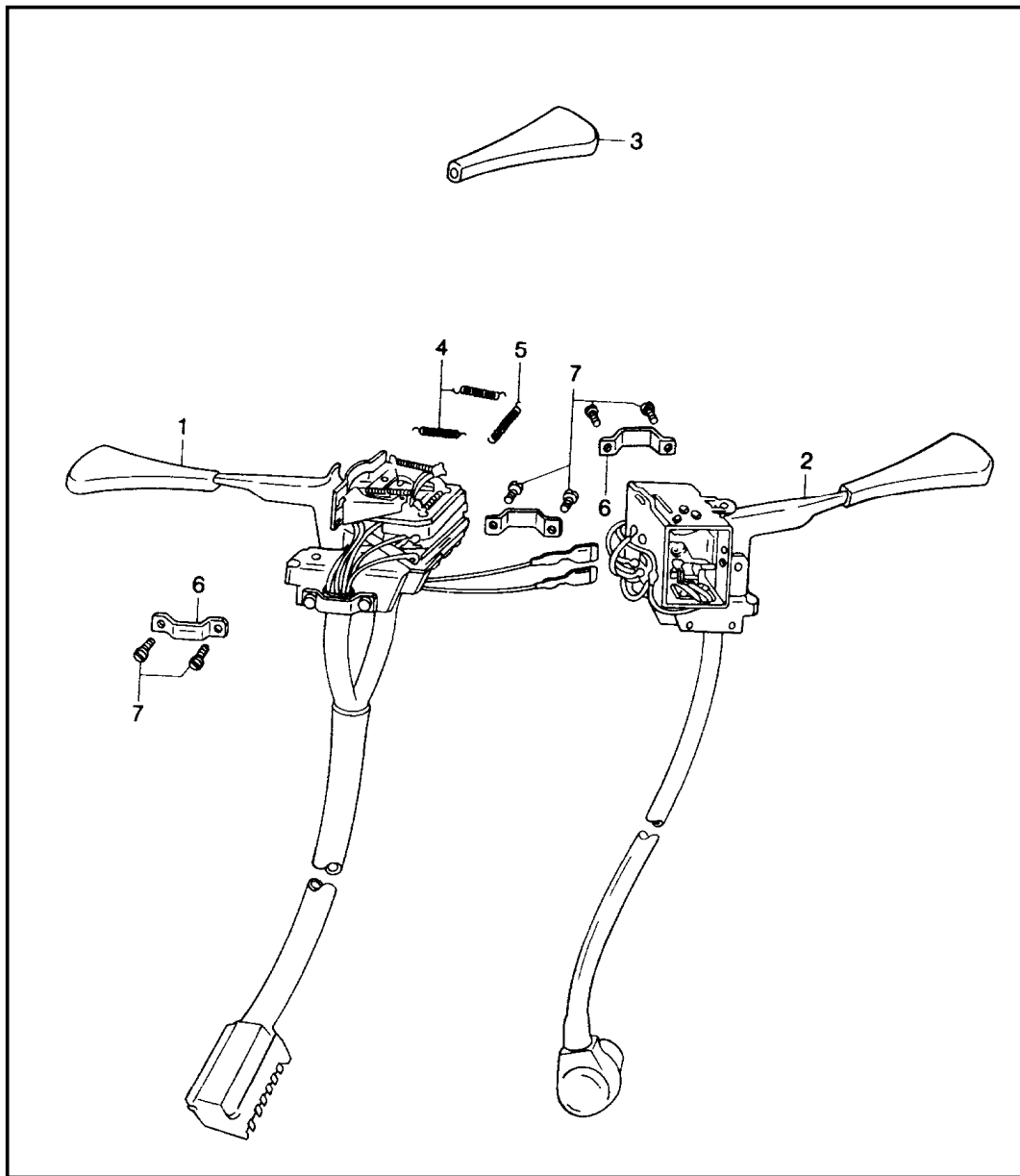
|       |      |    |    |              |              |     |              |            |         |     |         |
|-------|------|----|----|--------------|--------------|-----|--------------|------------|---------|-----|---------|
| Model | Year | MG | SG | Illustration | Restrictions | UPD | 18:29        | 30.01.2010 | PORSCHE | PET | PORSCHE |
| 914   | 1976 | 9  | 03 | 903-05       |              | 248 | USA / CANADA |            |         |     |         |

| Pos  | Part Number     | Description  | Remark | Qty | Model                     | Pos    | Part Number     | Description                                  | Remark | Qty | Model                       |
|------|-----------------|--|--------|-----|---------------------------|--------|-----------------|--|--------|-----|-----------------------------|
| 8    | N 013 970 5     | pan-head tapping screw<br>BZ 4,8 X 9,5                                     | 74-    | 2   | 914-1,8/2,0               | (16)   | 111 941 583     | relay<br>for<br>dipped beam                  |        | 1   | 914-4/1,7<br>914-1,8V/2,0   |
| 8    | N 106 568 02    | tapping screw<br>B 4,8 X 9,5   | 74-    | 2   | 914-1,8/2,0               | 17 >   | 914 618 303 11  | flasher relay                                | -72    | 1   | 914-6/4                     |
| 9    | --- --- --- --- | oil pressure switch<br>see group<br>1/01/10                                |        | X   | 914-6                     | (17) > | 914 618 303 11  | flasher relay                                | 73-    | 1   | 914-1,7/1,8V<br>914-1,8/2,0 |
| (9)  | --- --- --- --- | oil pressure switch<br>see group<br>1/14/00                                |        | X   |                           | 18     | --- --- --- --- | temperature switch<br>see group<br>3/07/05   |        | X   | 914-6:SPM                   |
| 10   | --- --- --- --- | water protection cap<br>for<br>oil pressure switch<br>see group<br>1/01/10 |        | X   |                           | 19     | --- --- --- --- | sealing ring<br>see group<br>3/07/05         |        | X   | 914-6:SPM                   |
| 11   | --- --- --- --- | back-up light switch<br>with<br>sealing ring<br>see group<br>3/02/00       |        | X   |                           | 20     | --- --- --- --- | bridging switch<br>see group<br>3/08/00      |        | X   | 914-6:SPM                   |
| (11) | --- --- --- --- | back-up light switch<br>with<br>sealing ring<br>see group<br>3/08/00       |        | X   | SPM                       | 21     | --- --- --- --- | brake light switch<br>see group<br>6/04/00   |        | X   |                             |
| 12   | --- --- --- --- | protection cap<br>for<br>back-up light switch<br>see group<br>3/02/00      |        | X   |                           | 22     | --- --- --- --- | water protection cap<br>see group<br>6/04/00 |        | X   |                             |
| 13   | --- --- --- --- | remote temperature sensor<br>see group<br>1/01/10                          |        | X   |                           | 23     | 914 635 103 11  | horn<br>- HELLA -<br>335 HZ                  |        | 1   |                             |
| 14   | --- --- --- --- | sealing ring<br>see group<br>1/01/10                                       |        | X   |                           | (23)   | 914 635 104 11  | horn<br>- HELLA -<br>400 HZ                  |        | 1   |                             |
| 15   | 911 615 109 01  | standard type relay  |        | 7   |                           | 24     | N 012 132 2     | shake-proof washer<br>A 8,4                  | -74    | 1   |                             |
| 15   | 911 615 109 01  | standard type relay  |        | 6   | 914-6                     | 24     | N 012 132 2     | shake-proof washer<br>A 8,4                  | -74    | 2   | 914-6                       |
| 16   | 111 941 583     | relay<br>for<br>dipped beam<br>and<br>high-beam headlight                  |        | 1   | 914-4/1,7<br>914-1,8V/2,0 | 25     | 900 075 078 02  | hexagon-head bolt<br>M 8 X 15                | -74    | 1   |                             |
|      |                 |  |        |     |                           | 25     | 900 075 078 02  | hexagon-head bolt<br>M 8 X 15                | -74    | 2   | 914-6                       |
|      |                 |  |        |     |                           | 26     | 999 703 089 40  | square nut<br>not for<br>TYP 914-6           | -74    | 1   |                             |
|      |                 |  |        |     |                           | -      | 900 076 025 02  | hexagon nut<br>M 8                           | 75-    | 1   | 914-1,8V/1,8<br>914-2,0     |

|       |      |    |    |              |              |     |              |            |         |     |         |
|-------|------|----|----|--------------|--------------|-----|--------------|------------|---------|-----|---------|
| Model | Year | MG | SG | Illustration | Restrictions | UPD | 18:29        | 30.01.2010 | PORSCHE | PET | PORSCHE |
| 914   | 1976 | 9  | 03 | 903-05       |              | 248 | USA / CANADA |            |         |     |         |

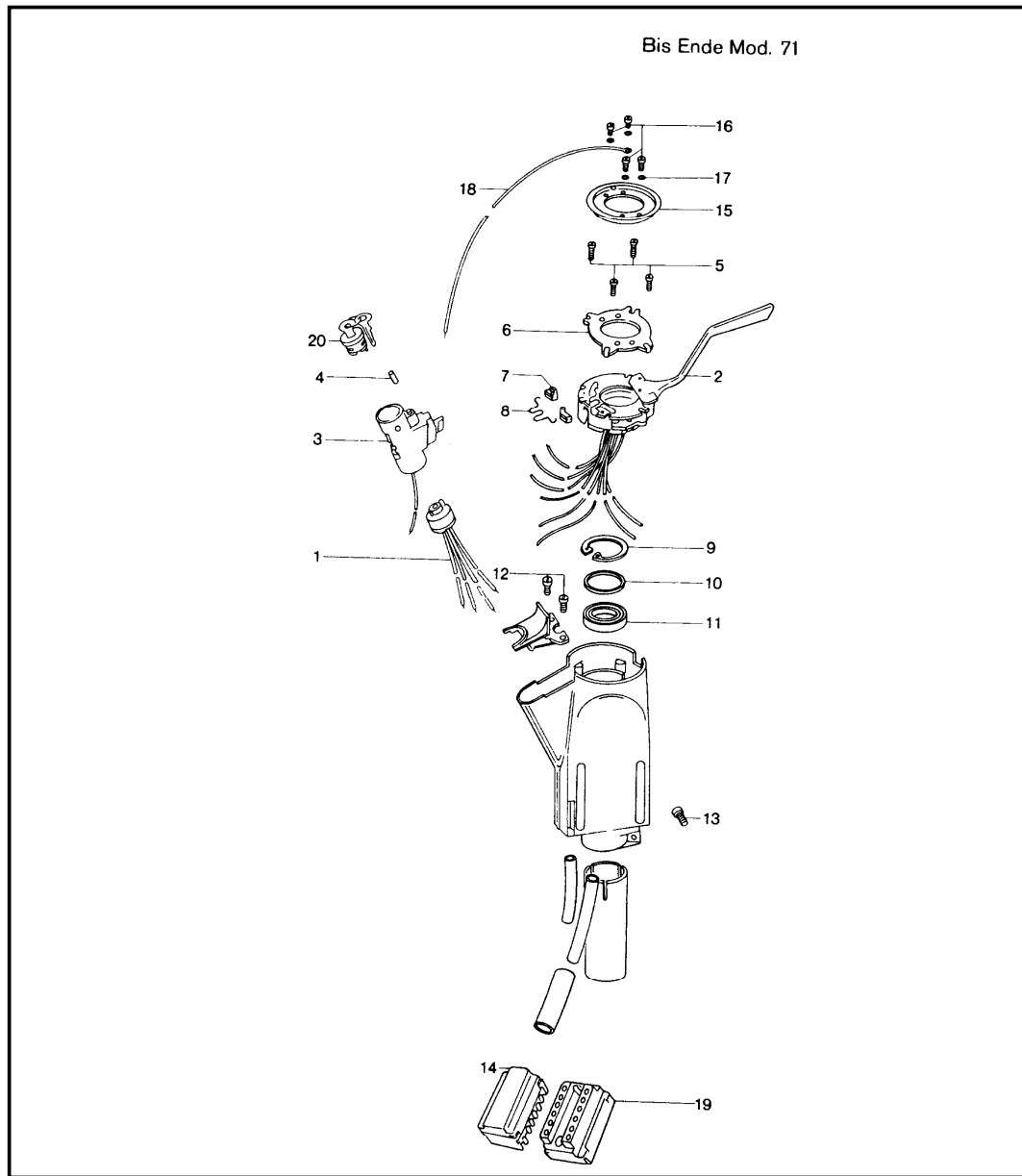
| Pos | Part Number    | Description                   | Remark | Qty | Model                   | Pos | Part Number | Description | Remark | Qty | Model |
|-----|----------------|-------------------------------|--------|-----|-------------------------|-----|-------------|-------------|--------|-----|-------|
| -   | 900 027 015 02 | lock ring<br>B 8              | 75-    | 1   | 914-1,8V/1,8<br>914-2,0 |     |             |             |        |     |       |
| 27  | 901 741 801 00 | sender<br>electric            |        | 1   |                         |     |             |             |        |     |       |
| 28  | 477 919 133    | sealing ring                  |        | 1   |                         |     |             |             |        |     |       |
| 29  | N 011 556 2    | washer<br>5,3                 |        | 5   |                         |     |             |             |        |     |       |
| 30  | N 010 207 6    | hexagon-head bolt<br>M 5 X 12 |        | 5   |                         |     |             |             |        |     |       |

|       |      |    |    |              |              |     |              |            |         |     |         |
|-------|------|----|----|--------------|--------------|-----|--------------|------------|---------|-----|---------|
| Model | Year | MG | SG | Illustration | Restrictions | UPD | 18:29        | 30.01.2010 | PORSCHE | PET | PORSCHE |
| 914   | 1976 | 9  | 03 | 903-10       |              | 248 | USA / CANADA |            |         |     |         |



| Pos | Part Number    | Description             | Remark | Qty | Model |
|-----|----------------|-------------------------|--------|-----|-------|
|     |                | steering column switch  |        |     | 914-6 |
| 1   | 914 613 303 10 | combined switch         |        | 1   |       |
| 2   | 914 613 302 10 | wiper switch            |        | 1   |       |
| 3   | 901 552 853 00 | handle<br>for<br>switch |        | 1   |       |
| 4   | 901 613 352 00 | tension spring          |        | 2   |       |
| 5   | 901 613 918 00 | tension spring          |        | 1   |       |
| 6   | 901 613 920 00 | clamping piece          |        | 3   |       |
| 7   | 901 613 919 00 | pan-head screw          |        | 6   |       |

|       |      |    |    |              |              |     |              |            |         |     |         |
|-------|------|----|----|--------------|--------------|-----|--------------|------------|---------|-----|---------|
| Model | Year | MG | SG | Illustration | Restrictions | UPD | 18:30        | 30.01.2010 | PORSCHE | PET | PORSCHE |
| 914   | 1976 | 9  | 03 | 903-15       |              | 248 | USA / CANADA |            |         |     |         |



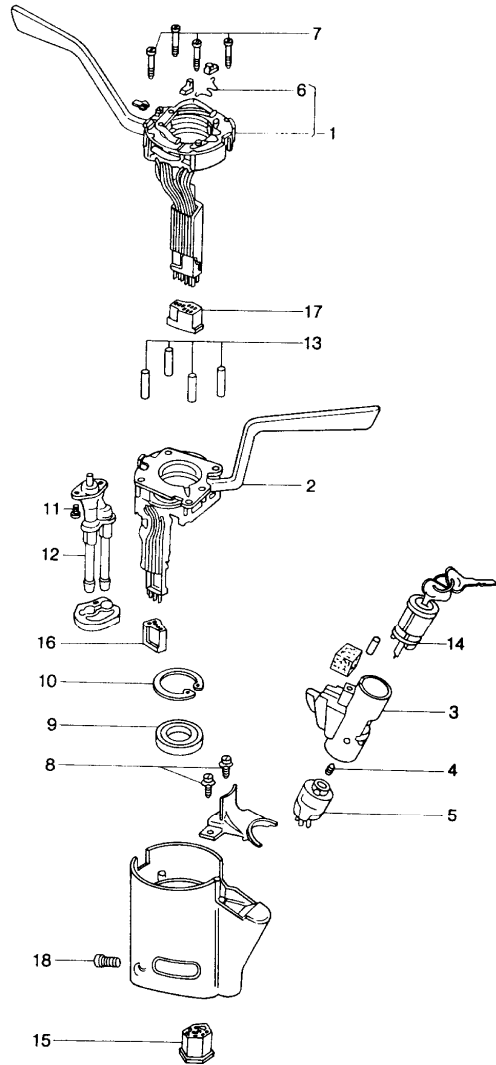
| Pos | Part Number    | Description   | Remark | Qty | Model |
|-----|----------------|---|--------|-----|-------|
|     |                | steering column switch  | -71    |     | 914-4 |
| -   | 914 613 305 10 | steering column switch  | -70    | 1   |       |
| -   | 914 613 306 12 | steering column switch<br>F 47129 11715>>                                     | 71-    | 1   |       |
| -   | 914 613 306 10 | steering column switch<br>with<br>buzzer contact                              | -70    | 1   |       |
| -   | 914 613 306 12 | steering column switch<br>with<br>buzzer contact<br>F 47129 09637>>           | 71-    | 1   |       |
| -   | 111 953 572    | spacer sleeve   |        | 2   |       |
| 1   | 311 905 865 A  | ignition starter switch   | -70    | 1   |       |
| (1) | 311 905 865 B  | ignition starter switch<br>with<br>buzzer contact<br>F 47129 09637>>          | 71-    | 1   |       |
| 2   | 914 613 927 12 | direction indicator switch<br>upper part                                      | -70    | 1   |       |
| (2) | 914 613 927 12 | switch<br>upper part<br>F 47129 09637>>                                       | 71-    | 1   |       |
| 3   | 113 905 887    | steering lock<br>with<br>buzzer contact<br>without<br>ignition starter switch | -70    | 1   |       |
| (3) | 111 905 851 N  | steering lock<br>without<br>ignition starter switch<br>F 47129 09637>>        | 71-    | 1   |       |
| -   | 914 613 929 12 | steering lock<br>with<br>ignition starter switch<br>F 47129 09637>>           | 71-    | 1   |       |
| 4   | 914 613 903 10 | rubber buffer   |        | 1   |       |
| 5   | 111 953 573    | screw<br>for<br>direction indicator switch<br>upper part                      |        | 4   |       |
| 6   | 914 613 904 10 | insulating piece  |        | 1   |       |

|       |      |    |    |              |              |     |              |            |         |     |         |
|-------|------|----|----|--------------|--------------|-----|--------------|------------|---------|-----|---------|
| Model | Year | MG | SG | Illustration | Restrictions | UPD | 18:30        | 30.01.2010 | PORSCHE | PET | PORSCHE |
| 914   | 1976 | 9  | 03 | 903-15       |              | 248 | USA / CANADA |            |         |     |         |

| Pos  | Part Number    | Description  | Remark | Qty | Model | Pos  | Part Number    | Description  | Remark | Qty | Model |
|------|----------------|--|--------|-----|-------|------|----------------|--|--------|-----|-------|
| 7    | 111 953 577    | slide  |        | 2   |       | (20) | 914 347 903 02 | lock cylinder<br>with keys   | 71-    | 1   |       |
| 8    | 111 953 575    | spring<br>for<br>direction indicator switch<br>upper part                        |        | 1   |       |      |                | w/o stipulated lock number<br>F 47129 09637>>                      |        |     |       |
| 9    | 111 953 563    | circlip<br>for<br>ball bearing   |        | 1   |       | (20) | 914 347 904 02 | lock cylinder<br>with keys<br>state lock number<br>F 47129 09637>> | 71-    | 1   |       |
| 10   | 914 347 168 00 | washer   |        | 1   |       |      |                |  |        |     |       |
| 11   | 900 052 202 00 | deep-groove ball bearing<br>6 1905   |        | 1   |       |      |                |  |        |     |       |
| 12   | N 010 811 1    | pan-head screw<br>AM 5 X 8   |        | 2   |       |      |                |  |        |     |       |
| 13   | N 014 709 1    | pan-head screw<br>M 8 X 22   |        | 1   |       |      |                |  |        |     |       |
| 14   | 911 612 121 03 | connector<br>12-pole   | -70    | 1   |       |      |                |  |        |     |       |
| (14) | 911 612 113 05 | connector housing<br>14-pole<br>F 47129 09637>>                                  | 71-    | 1   |       |      |                |  |        |     |       |
| 15   | 914 613 908 10 | slip ring  |        | 1   |       |      |                |  |        |     |       |
| 16   | 914 613 909 10 | screw<br>for<br>slip ring  |        | 4   |       |      |                |  |        |     |       |
| 17   | 914 613 910 10 | washer<br>for<br>slip ring   |        | 4   |       |      |                |  |        |     |       |
| 18   | 914 613 911 10 | cable  |        | 1   |       |      |                |  |        |     |       |
| 19   | 911 612 122 02 | connector housing<br>12-pole<br>for<br>steering column switch                    | -70    | 1   |       |      |                |  |        |     |       |
| (19) | 911 612 115 02 | connector housing<br>14-pole<br>for<br>steering column switch<br>F 47129 09637>> | 71-    | 1   |       |      |                |  |        |     |       |
| 20   | 914 347 903 00 | lock cylinder<br>with keys<br>w/o stipulated lock number                         | -70    | 1   |       |      |                |  |        |     |       |

|       |      |    |    |              |              |     |              |            |         |     |         |
|-------|------|----|----|--------------|--------------|-----|--------------|------------|---------|-----|---------|
| Model | Year | MG | SG | Illustration | Restrictions | UPD | 18:30        | 30.01.2010 | PORSCHE | PET | PORSCHE |
| 914   | 1976 | 9  | 03 | 903-20       |              | 248 | USA / CANADA |            |         |     |         |

Ab Mod. 72 bis Ende Mod. 74

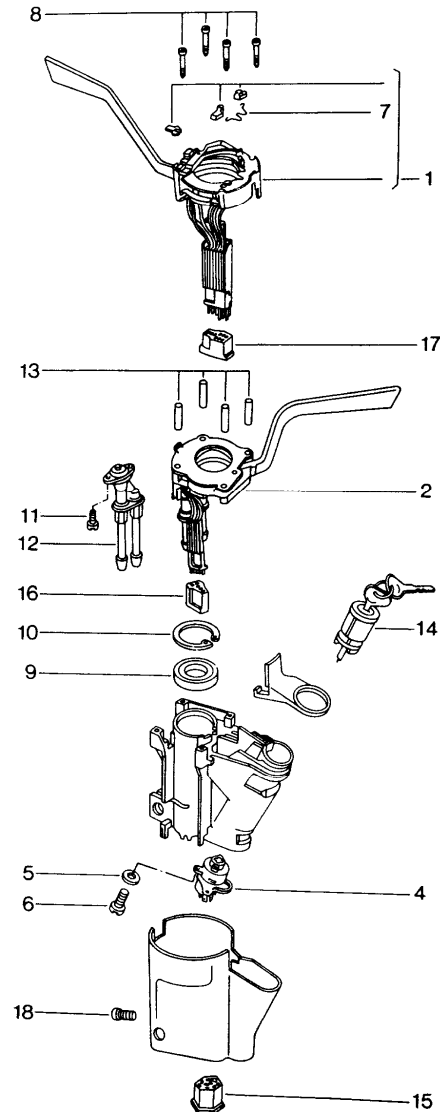


| Pos | Part Number    | Description  | Remark     | Qty | Model |
|-----|----------------|--|------------|-----|-------|
| -   | 914 613 306 17 | steering column switch   | 72-74      |     |       |
|     |                | steering column switch<br>combined switch<br>with<br>steering lock<br>ignition starter switch<br>without lock cylinder | 72-<br>-74 | 1   |       |
| 1   | 914 613 913 14 | direction indicator switch   |            | 1   |       |
| 2   | 914 613 915 14 | wiper switch   |            | 1   |       |
| 3   | 111 905 851 N  | steering lock  |            | 1   |       |
| 4   | N 013 042 2    | threaded pin   |            | 1   |       |
| 5   | 111 905 865 K  | ignition starter switch  |            | 1   |       |
| 6   | 111 953 575    | spring   |            | 1   |       |
| 7   | 111 953 573 A  | pan-head screw   |            | 4   |       |
| 8   | N 010 811 1    | pan-head screw   |            | 2   |       |
| (8) | N 012 005 3    | lock ring  |            | 2   |       |
| 9   | 111 953 559 A  | ball bearing   |            | 1   |       |
| 10  | 111 953 563 A  | circlip  |            | 1   |       |
| 11  | N 010 802 2    | oval-head screw  |            | 2   |       |
| 12  | 111 953 553    | valve<br>windscreen washer system  |            | 1   |       |
| 13  | 111 953 572 A  | spacer sleeve  |            | 4   |       |
| 14  | 914 347 903 02 | lock cylinder<br>with keys<br>w/o stipulated lock number   |            | 1   |       |
| 14  | 914 347 904 02 | lock cylinder<br>with keys<br>state lock number  |            | 1   |       |
| 15  | 111 953 631    | terminal sleeve housing<br>ignition starter switch   |            | 1   |       |
| 16  | 111 953 635    | terminal sleeve housing<br>wiper switch  |            | 1   |       |
| 17  | 111 953 633    | terminal sleeve housing<br>direction indicator switch  |            | 1   |       |
| 18  | N 014 707 4    | pan-head screw<br>M 8 X 16   |            | 2   |       |



|       |      |    |    |              |              |     |              |            |         |     |         |
|-------|------|----|----|--------------|--------------|-----|--------------|------------|---------|-----|---------|
| Model | Year | MG | SG | Illustration | Restrictions | UPD | 18:30        | 30.01.2010 | PORSCHE | PET | PORSCHE |
| 914   | 1976 | 9  | 03 | 903-25       |              | 248 | USA / CANADA |            |         |     |         |

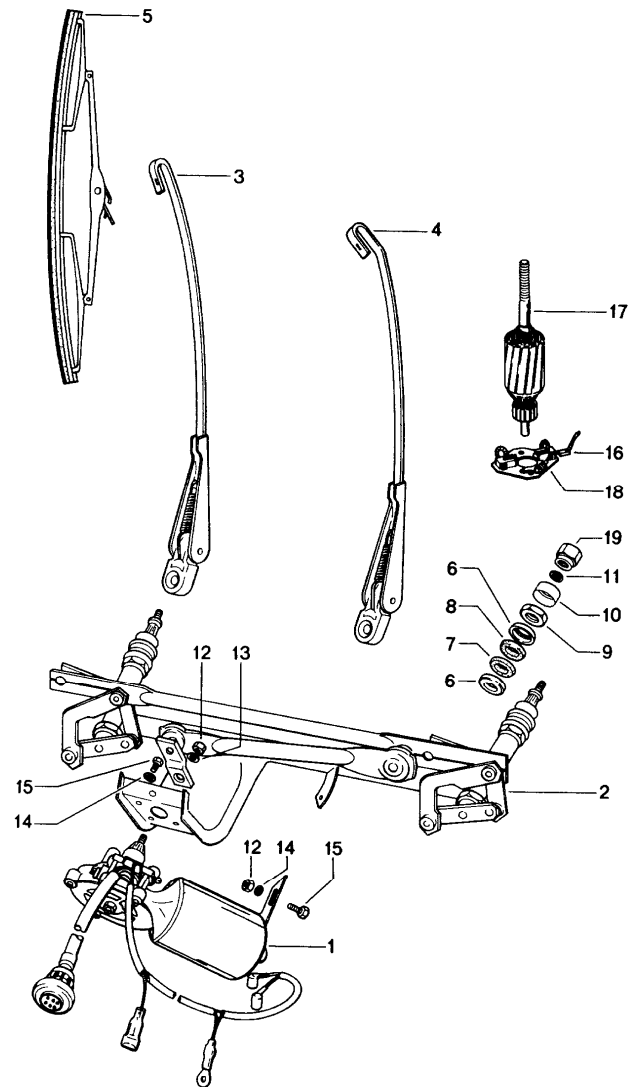
Ab Mod. 75



| Pos | Part Number    | Description   | Remark | Qty | Model |
|-----|----------------|---|--------|-----|-------|
|     |                | steering column switch  | 75-    |     |       |
| -   | 914 613 306 18 | steering column switch combined switch with steering lock ignition starter switch without lock cylinder | 75-    | 1   |       |
| 1   | 914 613 913 15 | direction indicator switch  |        | 1   |       |
| 2   | 914 613 915 15 | wiper switch  |        | 1   |       |
| 4   | 111 905 865 L  | ignition starter switch   |        | 1   |       |
| 5   | 914 613 932 00 | spring washer   |        | 1   |       |
| 6   | 914 613 931 00 | pan-head screw  |        | 1   |       |
| 7   | 111 953 575    | spring  |        | 1   |       |
| 8   | 111 953 573 A  | pan-head screw  |        | 4   |       |
| 9   | 911 347 771 02 | ball bearing  |        | 1   |       |
| 10  | 111 953 563 A  | circlip   |        | 1   |       |
| 11  | N 010 802 2    | oval-head screw   |        | 2   |       |
| 12  | 111 953 553    | valve windscreen washer system  |        | 1   |       |
| 13  | 111 953 572    | spacer sleeve   |        | 4   |       |
| 14  | 914 347 903 02 | lock cylinder with keys w/o stipulated lock number  |        | 1   |       |
| 14  | 914 347 904 02 | lock cylinder with keys state lock number   |        | 1   |       |
| 15  | 111 953 631    | terminal sleeve housing ignition starter switch   |        | 1   |       |
| 16  | 111 953 635    | terminal sleeve housing wiper switch  |        | 1   |       |
| 17  | 111 953 633    | terminal sleeve housing direction indicator switch  |        | 1   |       |
| 18  | N 014 707 4    | pan-head screw M 8 X 16   |        | 2   |       |

|       |      |    |    |              |              |     |              |            |         |     |         |
|-------|------|----|----|--------------|--------------|-----|--------------|------------|---------|-----|---------|
| Model | Year | MG | SG | Illustration | Restrictions | UPD | 18:30        | 30.01.2010 | PORSCHE | PET | PORSCHE |
| 914   | 1976 | 9  | 04 | 904-00       |              | 248 | USA / CANADA |            |         |     |         |

Bis Ende Mod. 71

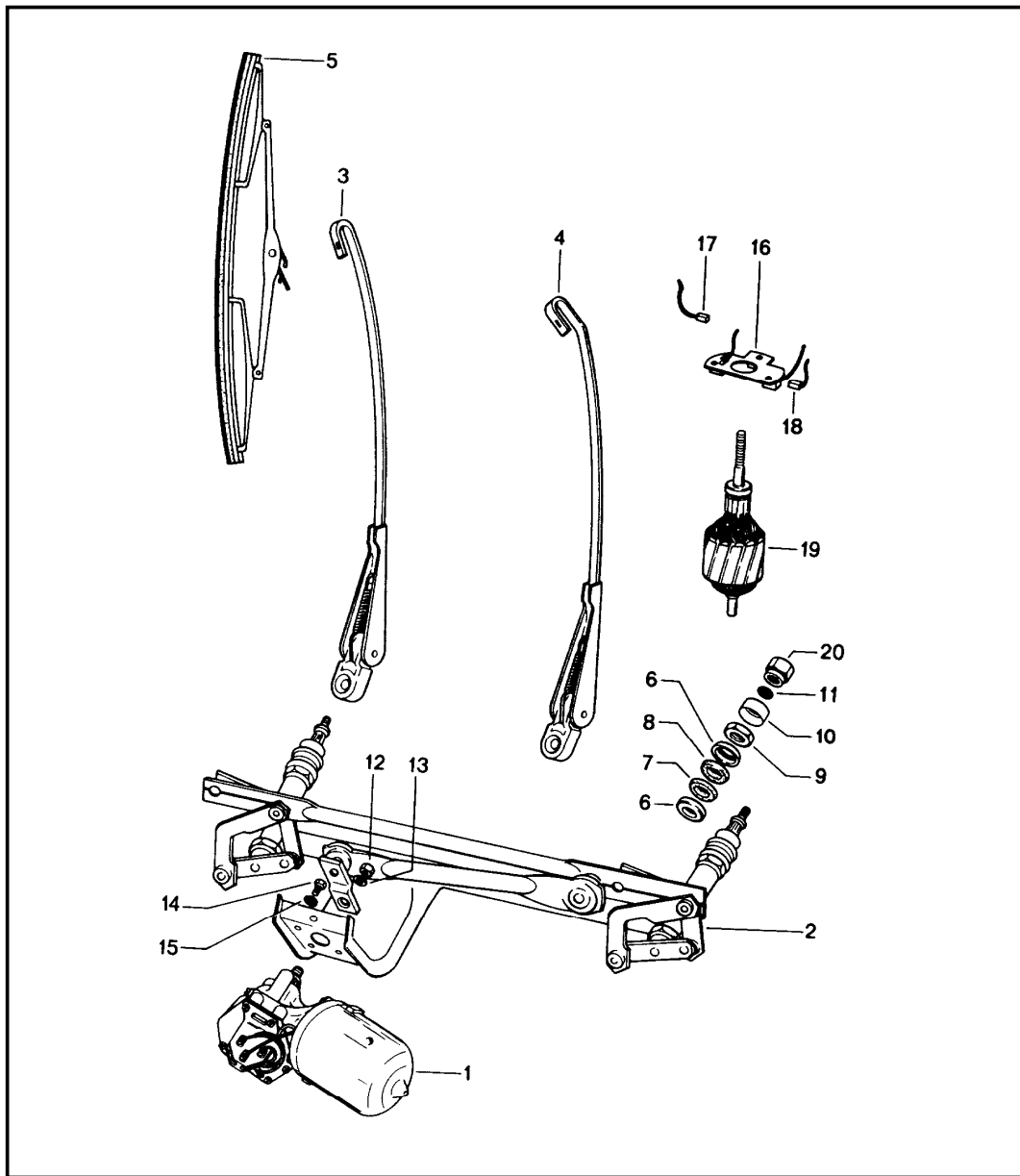


| Pos | Part Number    | Description  | Remark | Qty | Model |
|-----|----------------|--|--------|-----|-------|
| -   |                | windscreen wiper system  | -71    |     | 914-6 |
| -   | 914 628 011 01 | windscreen wiper system complete without wiper arm wiper blade switch      | -71    | 1   |       |
| 1   | 914 628 019 10 | engine   |        | 1   |       |
| 2   | 914 628 012 20 | crank drive without engine ready for installation with picture 6 - 11 + 19 |        | 1   |       |
| 3   | 914 628 313 10 | wiper arm - SWF -  | /L     | 1   |       |
| (3) | 914 628 313 10 | wiper arm - bosch -  | /L     | 1   |       |
| 4   | 914 628 314 10 | wiper arm - SWF -  | /R     | 1   |       |
| (4) | 914 628 314 10 | wiper arm - bosch -  | /R     | 1   |       |
| 5   | 914 628 311 10 | wiper blade - SWF -  |        | 2   |       |
| (5) | 914 628 311 10 | wiper blade - bosch -  |        | 2   |       |
| 6   | 901 628 922 00 | flange washer  |        | 4   |       |
| 7   | 901 628 923 01 | rubber bush  |        | 2   |       |
| 8   | 901 628 924 00 | rubber bush  |        | 2   |       |
| 9   | 901 628 925 00 | hexagon nut  |        | 2   |       |
| 10  | 901 628 926 00 | cap  |        | 2   |       |
| 11  | 901 628 927 00 | spring washer  |        | 2   |       |
| 12  | 900 076 010 02 | hexagon nut M 6  |        | 2   |       |
| 13  | 914 628 901 00 | lock ring  |        | 1   |       |
| 14  | N 042 121 1    | shake-proof washer J 6,4   |        | 2   |       |

|       |      |    |    |              |              |     |              |            |         |     |         |
|-------|------|----|----|--------------|--------------|-----|--------------|------------|---------|-----|---------|
| Model | Year | MG | SG | Illustration | Restrictions | UPD | 18:30        | 30.01.2010 | PORSCHE | PET | PORSCHE |
| 914   | 1976 | 9  | 04 | 904-00       |              | 248 | USA / CANADA |            |         |     |         |

| Pos | Part Number    | Description                          | Remark | Qty | Model | Pos | Part Number | Description | Remark | Qty | Model |
|-----|----------------|--------------------------------------|--------|-----|-------|-----|-------------|-------------|--------|-----|-------|
| 15  | 900 075 010 02 | hexagon-head bolt<br>M 6 X 12        |        | 2   |       |     |             |             |        |     |       |
| 16  | 914 628 906 00 | wiper contact                        |        | 2   |       |     |             |             |        |     |       |
| 17  | 914 628 908 00 | armature                             |        | 1   |       |     |             |             |        |     |       |
| 18  | 914 628 903 00 | retainer plate                       |        | 1   |       |     |             |             |        |     |       |
| 19  | 901 628 341 00 | cap nut<br>for<br>wiper arm<br>mount |        | 2   |       |     |             |             |        |     |       |
| -   | 914 628 113 00 | rubber buffer                        |        | 1   |       |     |             |             |        |     |       |
| -   | 900 028 008 01 | spring washer<br>B 6                 |        | 1   |       |     |             |             |        |     |       |
| -   | 900 076 010 02 | hexagon nut<br>M 6                   |        | 1   |       |     |             |             |        |     |       |

|       |      |    |    |              |              |     |              |            |         |     |         |
|-------|------|----|----|--------------|--------------|-----|--------------|------------|---------|-----|---------|
| Model | Year | MG | SG | Illustration | Restrictions | UPD | 18:30        | 30.01.2010 | PORSCHE | PET | PORSCHE |
| 914   | 1976 | 9  | 04 | 904-05       |              | 248 | USA / CANADA |            |         |     |         |



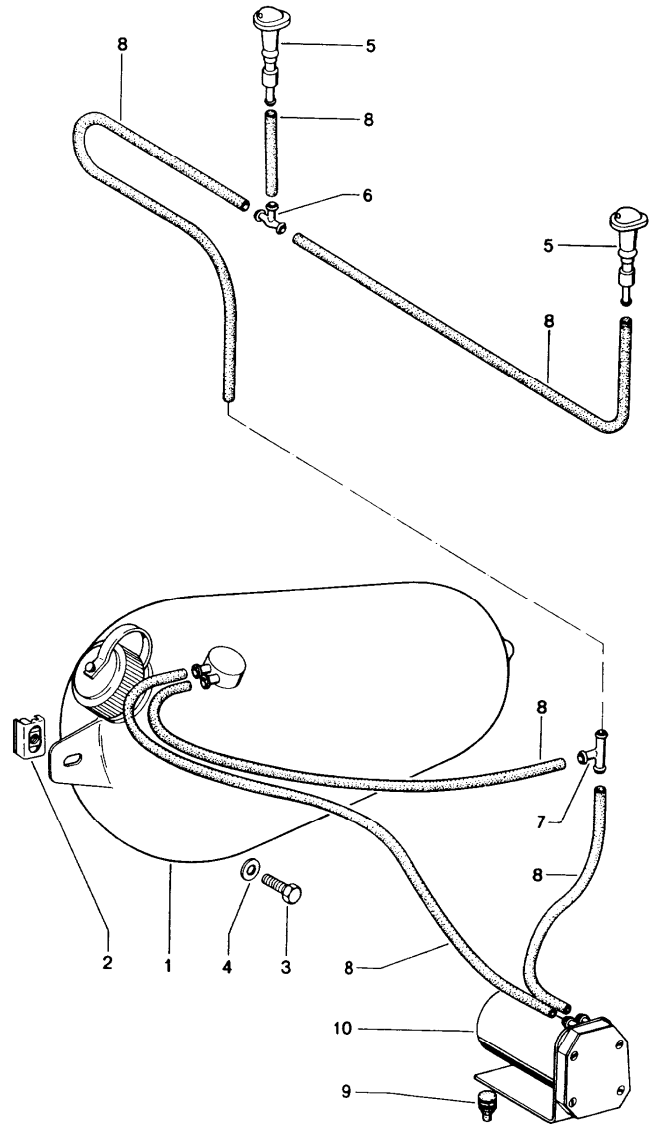
| Pos | Part Number    | Description  | Remark | Qty | Model        |
|-----|----------------|--|--------|-----|--------------|
|     |                | windscreen wiper system  |        |     | 914<br>914-6 |
| -   | 914 628 015 11 | windscreen wiper system complete without wiper arm wiper blade switch                | 72-    | 1   | 914-4        |
| -   | 914 628 015 13 | windscreen wiper system complete without wiper arm wiper blade switch                | 72-    | 1   |              |
| 1   | 914 628 020 10 | wiper motor  | -71    | 1   | 914-4        |
| (1) | 914 628 020 13 | wiper motor  | 72-    | 1   |              |
| 2   | 914 628 011 20 | windscreen wiper system crank drive without engine complete with picture 6 - 11 + 20 |        | 1   |              |
| 3   | 914 628 313 10 | wiper arm - SWF - installation instructions attention                                | /L     | 1   |              |
| 4   | 914 628 314 10 | wiper arm - SWF - installation instructions attention                                | /R     | 1   |              |
| 5   | 914 628 311 10 | wiper blade - SWF -  |        | 2   |              |
| 6   | 901 628 922 00 | flange washer  |        | 4   |              |
| 7   | 901 628 923 01 | rubber bush  |        | 2   |              |
| 8   | 901 628 924 00 | rubber bush  |        | 2   |              |
| 9   | 901 628 925 00 | hexagon nut  |        | 2   |              |
| 10  | 901 628 926 00 | cap  |        | 2   |              |
| 11  | 901 628 927 00 | spring washer  |        | 2   |              |
| 12  | 900 076 010 02 | hexagon nut M 6  |        | 1   |              |

|       |      |    |    |              |              |     |              |            |         |     |         |
|-------|------|----|----|--------------|--------------|-----|--------------|------------|---------|-----|---------|
| Model | Year | MG | SG | Illustration | Restrictions | UPD | 18:30        | 30.01.2010 | PORSCHE | PET | PORSCHE |
| 914   | 1976 | 9  | 04 | 904-05       |              | 248 | USA / CANADA |            |         |     |         |

| Pos | Part Number    | Description                   | Remark | Qty | Model | Pos | Part Number | Description | Remark | Qty | Model |
|-----|----------------|-------------------------------|--------|-----|-------|-----|-------------|-------------|--------|-----|-------|
| 13  | 914 628 901 00 | lock ring                     |        | 1   |       |     |             |             |        |     |       |
| 14  | 900 075 010 02 | hexagon-head bolt<br>M 6 X 12 |        | 1   |       |     |             |             |        |     |       |
| 15  | N 042 121 1    | shake-proof washer<br>J 6,4   |        | 1   |       |     |             |             |        |     |       |
| 20  | 901 628 341 00 | cap nut                       |        | 2   |       |     |             |             |        |     |       |
| -   | 914 628 113 00 | rubber buffer                 |        | 1   |       |     |             |             |        |     |       |
| -   | 900 028 008 01 | spring washer<br>B 6          |        | 1   |       |     |             |             |        |     |       |
| -   | 900 076 010 02 | hexagon nut<br>M 6            |        | 1   |       |     |             |             |        |     |       |

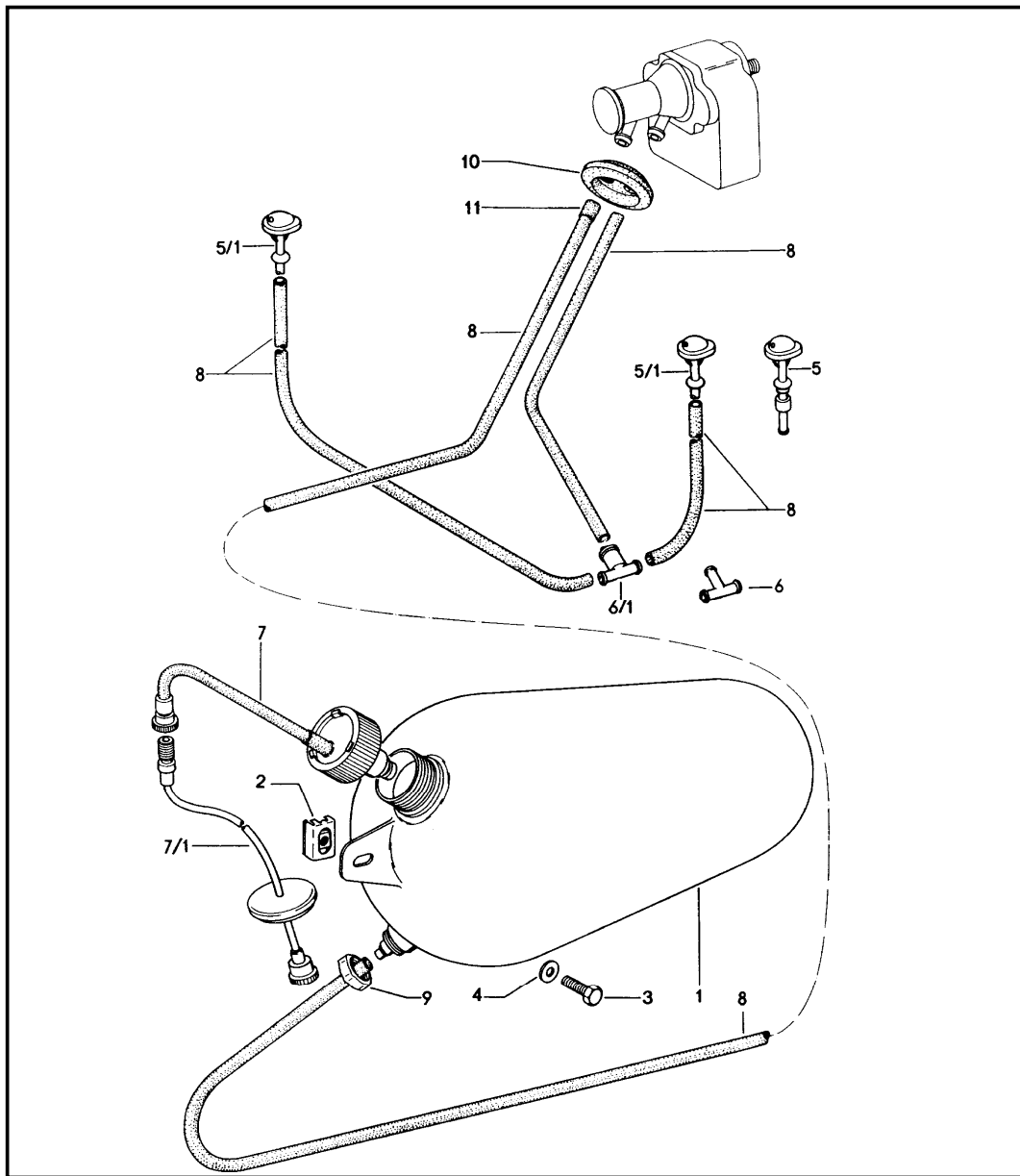
|       |      |    |    |              |              |     |              |            |         |     |         |
|-------|------|----|----|--------------|--------------|-----|--------------|------------|---------|-----|---------|
| Model | Year | MG | SG | Illustration | Restrictions | UPD | 18:31        | 30.01.2010 | PORSCHE | PET | PORSCHE |
| 914   | 1976 | 9  | 04 | 904-10       |              | 248 | USA / CANADA |            |         |     |         |

Bis Ende Mod. 71



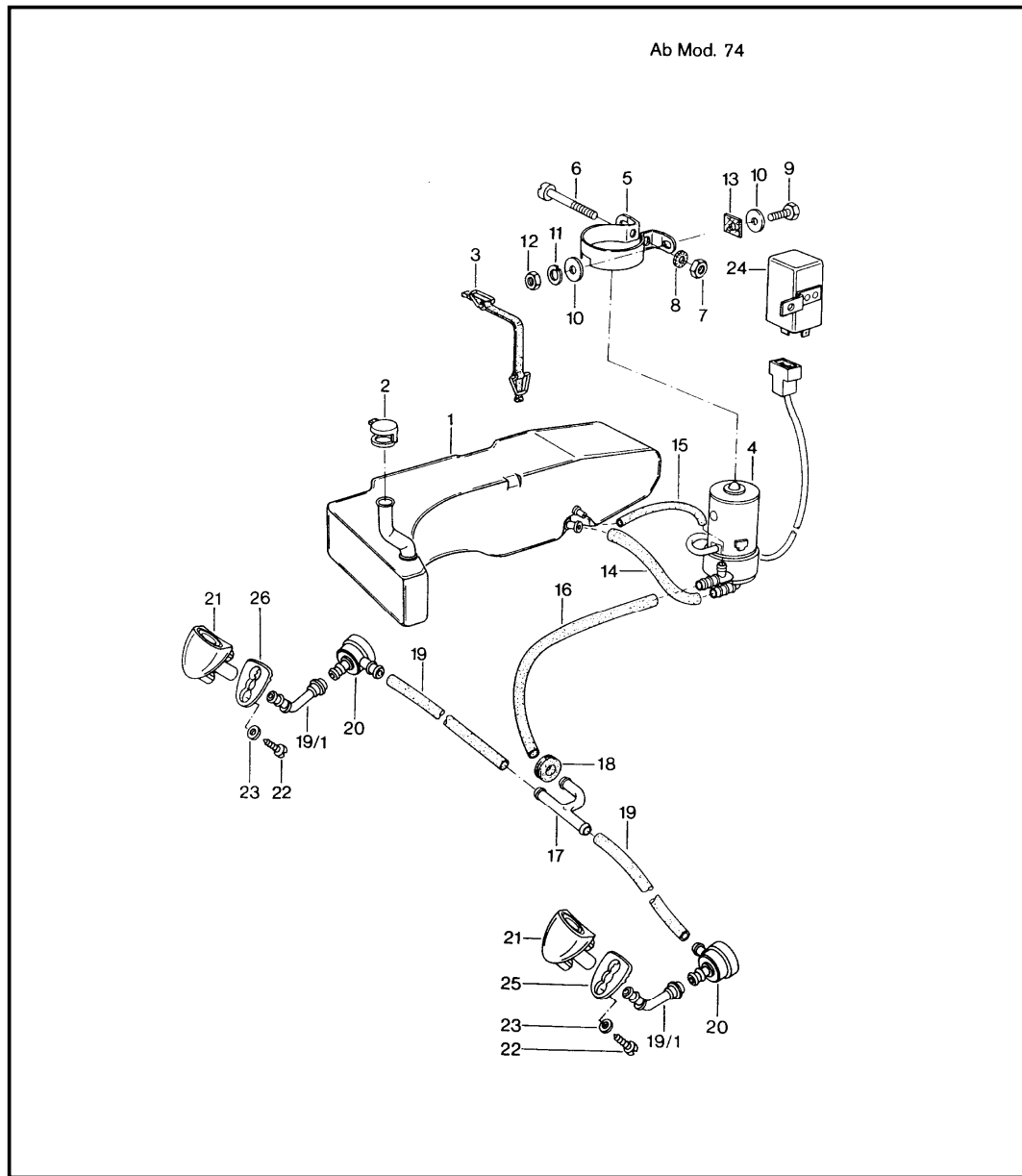
| Pos | Part Number    | Description                                     | Remark | Qty    | Model |
|-----|----------------|---|--------|--------|-------|
|     |                | windscreen washer system                        | -71    |        | 914-6 |
| 1   | 914 628 080 10 | container complete                              |        | 1      |       |
| 2   | 999 507 336 02 | captive nut M 6                                 |        | 1      |       |
| 3   | N 010 215 13   | hexagon-head bolt M 6 X 15                      |        | 1      |       |
| 4   | 900 151 006 09 | washer A 6,4                                    |        | 1      |       |
| 5   | 644 628 741 02 | spray nozzle                                    |        | 2      |       |
| 6   | 901 628 745 20 | t-socket  |        | 1      |       |
| 7   | 901 628 749 20 | t-piece   |        | 1      |       |
| 8   | 914 628 901 10 | hose plastic material                           |        | *<br>X |       |
| 8   | PCG 628 901 10 | hose 3000 mm                                    |        | 1      |       |
| 9   | 914 628 741 00 | stopper   |        | 3      |       |
| 10  | 928 628 074 01 | pump electric for windscreen washer system 10 V |        | 1      |       |

|       |      |    |    |              |              |     |              |            |         |     |         |
|-------|------|----|----|--------------|--------------|-----|--------------|------------|---------|-----|---------|
| Model | Year | MG | SG | Illustration | Restrictions | UPD | 18:31        | 30.01.2010 | PORSCHE | PET | PORSCHE |
| 914   | 1976 | 9  | 04 | 904-15       |              | 248 | USA / CANADA |            |         |     |         |



| Pos | Part Number    | Description   | Remark | Qty | Model                   |
|-----|----------------|---|--------|-----|-------------------------|
| (1) | 914 628 075 12 | windscreen washer system<br>container<br>complete                                 |        | 1   |                         |
| 2   | 999 507 336 02 | captive nut<br>M 6  |        | 1   |                         |
| 3   | N 010 215 13   | hexagon-head bolt<br>M 6 X 15   |        | 1   |                         |
| 4   | 900 151 006 09 | washer<br>A 6,4   |        | 1   |                         |
| 5   | 644 628 741 02 | spray nozzle<br>with<br>valve<br>F >>47429 02453                                  |        | 2   |                         |
| 5/1 | 914 628 203 11 | nozzle<br>black<br>F 47429 02454>>  |        | 2   | 914-1,8V/1,8<br>914-2,0 |
| 6   | 901 628 745 20 | t-socket<br>F >>47429 02453   |        | 1   |                         |
| 6/1 | 914 628 433 00 | valve<br>with<br>valve<br>F 47429 02454>>   |        | 1   | 914-1,8V/1,8<br>914-2,0 |
| 7   | 914 628 022 10 | hose<br>container   |        | 1   |                         |
| 7/1 | 914 628 021 10 | hose<br>connecting piece<br>emergency wheel                                       |        | 1   |                         |
| 8   | 914 628 901 11 | hose  |        | *   |                         |
| 9   | 113 955 481    | union nut<br>for<br>hose  |        | 1   |                         |
| 10  | 914 628 191 10 | rubber sleeve<br>switch<br>for<br>windscreen wiper system<br>see group<br>9/03/00 |        | 1   |                         |
| 11  | 111 971 521 A  | hose protecting sleeve  |        | X   |                         |

|       |      |    |    |              |              |     |              |            |         |     |         |
|-------|------|----|----|--------------|--------------|-----|--------------|------------|---------|-----|---------|
| Model | Year | MG | SG | Illustration | Restrictions | UPD | 18:31        | 30.01.2010 | PORSCHE | PET | PORSCHE |
| 914   | 1976 | 9  | 04 | 904-20       |              | 248 | USA / CANADA |            |         |     |         |



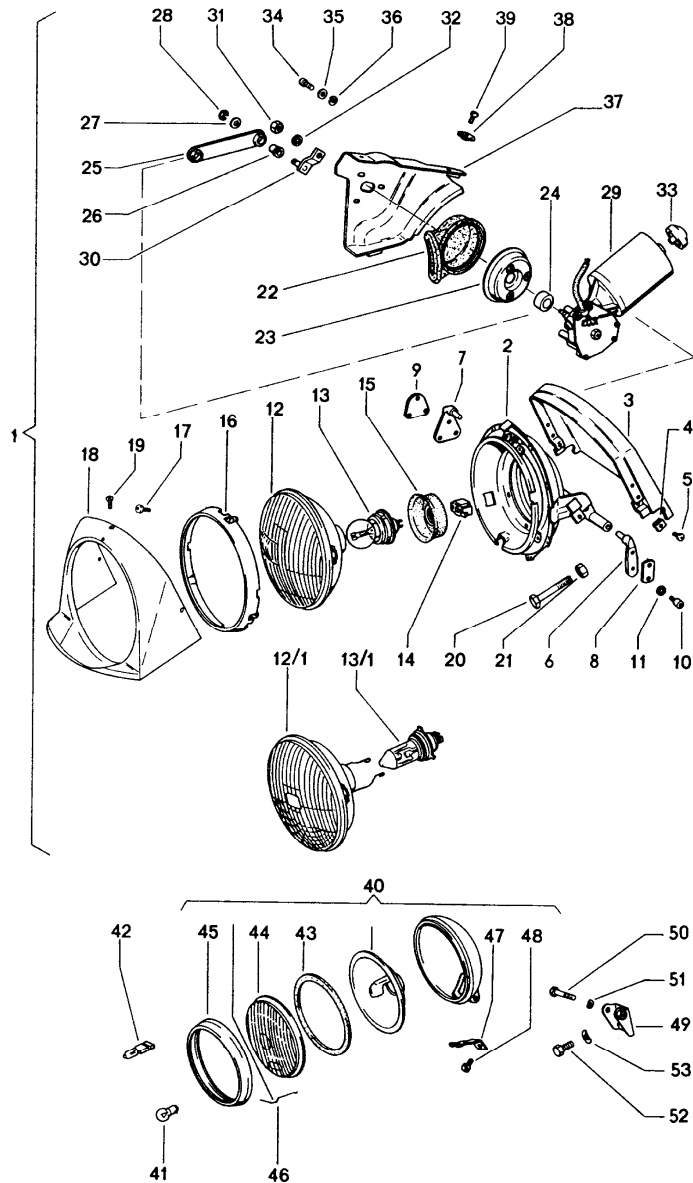
| Pos  | Part Number    | Description  | Remark | Qty | Model |
|------|----------------|--|--------|-----|-------|
|      |                | headlight washer system  | 74-    |     |       |
| 1    | 914 628 031 10 | water reservoir  |        | 1   |       |
| 2    | 911 628 167 00 | lid  |        | 1   |       |
| 3    | 914 628 035 10 | restraining strap  |        | 1   |       |
| 4    | 914 624 123 00 | motor pump   |        | 1   |       |
| 5    | 914 628 221 11 | clip   |        | 1   |       |
| 6    | N 010 724 2    | round head screw   |        | 1   |       |
| 7    | 900 076 027 02 | hexagon nut  |        | 1   |       |
| 8    | 900 114 014 01 | shake-proof washer   |        | 1   |       |
| 9    | N 010 215 13   | hexagon-head bolt<br>M 6 X 15                                  |        | 2   |       |
| 10   | 900 151 029 02 | washer<br>B 6,4  |        | 4   |       |
| 11   | N 012 006 4    | lock ring<br>B 6   |        | 2   |       |
| 12   | 900 076 010 02 | hexagon nut<br>M 6   |        | 2   |       |
| 13   | 000 043 129 00 | sealing strap<br>25 X 20 X 2                                   |        | 4   |       |
| 14   | 914 628 417 10 | hose<br>water reservoir<br>pump                                |        | 1   |       |
| 15   | 914 628 418 10 | breather hose<br>pump<br>water reservoir                       |        | 1   |       |
| 16   | 914 628 419 10 | hose<br>790 MM<br>distributing piece<br>pump                   |        | 1   |       |
| 17   | 914 628 413 10 | distributing piece   |        | 1   |       |
| 18   | 999 702 059 50 | rubber sleeve  |        | 1   |       |
| 19   | 914 628 421 12 | hose<br>525 MM<br>distributing piece<br>pressure control valve |        | 2   |       |
| 19/1 | 911 628 809 00 | connecting piece   | 75-    | 2   |       |



|       |      |    |    |              |              |     |              |            |         |     |         |
|-------|------|----|----|--------------|--------------|-----|--------------|------------|---------|-----|---------|
| Model | Year | MG | SG | Illustration | Restrictions | UPD | 18:31        | 30.01.2010 | PORSCHE | PET | PORSCHE |
| 914   | 1976 | 9  | 04 | 904-20       |              | 248 | USA / CANADA |            |         |     |         |

| Pos  | Part Number    | Description                           | Remark | Qty | Model | Pos | Part Number | Description | Remark | Qty | Model |
|------|----------------|---------------------------------------|--------|-----|-------|-----|-------------|-------------|--------|-----|-------|
| 20   | 113 955 187    | nozzle                                |        | 2   |       |     |             |             |        |     |       |
| 21   | 914 628 027 10 | jet carrier                           |        | 2   |       |     |             |             |        |     |       |
| (21) | 914 628 027 11 | jet carrier                           | 75-    | 2   |       |     |             |             |        |     |       |
| 22   | N 011 380 1    | pan-head tapping screw<br>B 4,2 X 9,5 |        | 4   |       |     |             |             |        |     |       |
| 23   | N 012 224 3    | spring washer<br>B 4                  |        | 4   |       |     |             |             |        |     |       |
| 24   | 928 618 111 00 | relay                                 |        | 1   |       |     |             |             |        |     |       |
| 25   | 914 628 435 10 | desk pad<br>for<br>jet carrier        | /L     | 75- | 1     |     |             |             |        |     |       |
| 26   | 914 628 436 10 | desk pad<br>for<br>jet carrier        | /R     | 75- | 1     |     |             |             |        |     |       |

|       |      |    |    |              |              |     |              |            |         |     |         |
|-------|------|----|----|--------------|--------------|-----|--------------|------------|---------|-----|---------|
| Model | Year | MG | SG | Illustration | Restrictions | UPD | 18:31        | 30.01.2010 | PORSCHE | PET | PORSCHE |
| 914   | 1976 | 9  | 05 | 905-00       |              | 248 | USA / CANADA |            |         |     |         |



| Pos | Part Number    | Description   | Remark | Qty | Model   |
|-----|----------------|---|--------|-----|---------|
| 1   | 914 750 903 11 | headlamp<br>pop-up headlight<br>complete<br>with<br>driving mechanism<br>without<br>picture<br>12, 13, 15, 12/1, 13/1 | /L     | 1   |         |
| (1) | 914 750 904 11 | pop-up headlight<br>complete<br>with<br>driving mechanism<br>without<br>picture<br>12, 13, 15, 12/1, 13/1             | /R     | 1   |         |
| (2) | 914 631 011 10 | mounting piece<br>complete  | /L     | 1   |         |
| (2) | 914 631 012 10 | mounting piece<br>complete  | /R     | 1   |         |
| -   | 914 631 901 10 | headlamp<br>adjusting screw<br>with<br>threaded piece   |        | 4   |         |
| 3   | 914 750 131 10 | housing<br>upper part   | /L     | 1   |         |
| (3) | 914 750 132 10 | housing<br>upper part   | /R     | 1   |         |
| 4   | 999 591 338 02 | speed nut   |        | 10  |         |
| 5   | N 013 958 7    | tapping screw<br>B 3,5 X 13   |        | 4   |         |
| 6   | 914 750 165 10 | bearing<br>outer  | -70    | 2   | 914-6/4 |
| 6   | 914 750 165 10 | bearing bracket<br>outer  | 71-    | 2   |         |
| 7   | 914 750 271 10 | bearing bracket<br>inner  | -70    | 2   | 914-6/4 |
| 7   | 914 750 271 10 | bearing bracket<br>inner  | 71-    | 2   |         |
| 8   | 914 750 167 10 | plate<br>outer  |        | 2   |         |
| 9   | 914 750 169 10 | plate<br>inner  |        | 2   |         |

|       |      |    |    |              |              |     |              |            |         |     |         |
|-------|------|----|----|--------------|--------------|-----|--------------|------------|---------|-----|---------|
| Model | Year | MG | SG | Illustration | Restrictions | UPD | 18:31        | 30.01.2010 | PORSCHE | PET | PORSCHE |
| 914   | 1976 | 9  | 05 | 905-00       |              | 248 | USA / CANADA |            |         |     |         |

| Pos  | Part Number    | Description  | Remark | Qty | Model                   | Pos  | Part Number    | Description                       | Remark | Qty | Model |
|------|----------------|--|--------|-----|-------------------------|------|----------------|-----------------------------------|--------|-----|-------|
| 10   | N 014 750 3    | pan-head screw<br>M 6 X 10                                 |        | 10  |                         | 21   | 900 076 025 02 | hexagon nut<br>M 8                |        | 2   |       |
| 11   | 900 114 002 02 | shake-proof washer<br>J 6,4                                |        | 10  |                         | 22   | 914 750 265 10 | sealing cap                       | /L     | 72- | 1     |
| (12) | 914 631 164 00 | insert<br>asymmetrical<br>not for<br>914-1,8               | /RL    | 2   |                         | (22) | 914 750 266 10 | sealing cap                       | /R     | 72- | 1     |
| (12) | 999 631 108 90 | headlamp unit<br>sealed-beam<br>50/40 W<br>F >>47329 08291 | -73    | 2   | 914-6/4/1,7<br>914-2,0  | 23   | 914 750 267 10 | seal                              |        | 72- | 2     |
| (12) | 111 941 261 B  | headlamp unit<br>sealed-beam<br>60/50 W<br>F 47329 08292>> | 73-    | 2   | 914-1,7/1,8<br>914-2,0  | 24   | 914 750 277 10 | sealing washer                    |        |     | 2     |
| 12/1 | 914 631 164 00 | headlamp<br>H 4  | /RL    | 2   | 914-1,7/1,8V<br>914-2,0 | 25   | 914 750 185 11 | push rod                          |        |     | 2     |
| 13   | 900 631 109 90 | bulb<br>A 12 V - 45/40 ES<br>white<br>not for<br>914-1,8   |        | 2   |                         | 26   | 914 750 189 10 | bearing sleeve                    |        |     | 4     |
| 13/1 | 999 631 202 90 | halogen bulb<br>H 4  |        | 2   | 914-1,7/1,8V<br>914-2,0 | 27   | 914 750 191 10 | washer                            |        |     | 4     |
| 14   | 911 631 108 00 | terminal sleeve housing<br>3-pole                          |        | 2   |                         | 28   | 900 116 007 01 | lock washer<br>8                  |        |     | 2     |
| 15   | 901 631 123 01 | rubber cap   |        | 2   |                         | 29   | 914 624 113 11 | engine<br>for<br>pop-up headlight | /R     |     | 1     |
| 16   | 914 031 107 20 | retaining ring   | -74    | 2   |                         | (29) | 914 624 114 11 | engine<br>for<br>pop-up headlight | /L     |     | 1     |
| (16) | 914 631 107 20 | retaining ring<br>black mat                                | 75-    | 2   | 914-1,8V/1,8<br>914-2,0 | 30   | 914 624 115 00 | lever<br>for<br>engine            |        |     | 2     |
| 17   | 341 941 183 A  | screw  |        | 6   |                         | 31   | 914 624 118 00 | hexagon nut<br>M 6                |        |     | 2     |
| 17   | 341 941 183 A  | oval-head screw<br>AM 4 - 8                                |        | 6   |                         | 32   | 914 624 119 00 | shake-proof washer                |        |     | 2     |
| 18   | 914 750 225 11 | cap  | /L     | 1   |                         | 33   | 914 624 117 00 | knob<br>for<br>engine             |        |     | 2     |
| (18) | 914 750 226 11 | cap  | /R     | 1   |                         | 34   | 900 067 008 02 | pan-head screw<br>M 6 X 12        |        |     | 6     |
| 19   | 900 145 004 02 | rais. counters. h. tap. s.<br>B 3,5 X 13                   |        | 6   |                         | 35   | N 011 524 7    | washer<br>B 6,4                   |        |     | 6     |
| 20   | 914 750 193 10 | stop screw   |        | 2   |                         | 36   | N 012 007 2    | lock ring<br>A 6                  |        |     | 6     |
|      |                |  |        |     |                         | 37   | 914 750 195 10 | protection cap                    | /L     |     | 1     |
|      |                |  |        |     |                         | (37) | 914 750 196 10 | protection cap                    | /R     |     | 1     |
|      |                |  |        |     |                         | 38   | 999 591 331 02 | speed nut<br>B 4,2                |        |     | 4     |

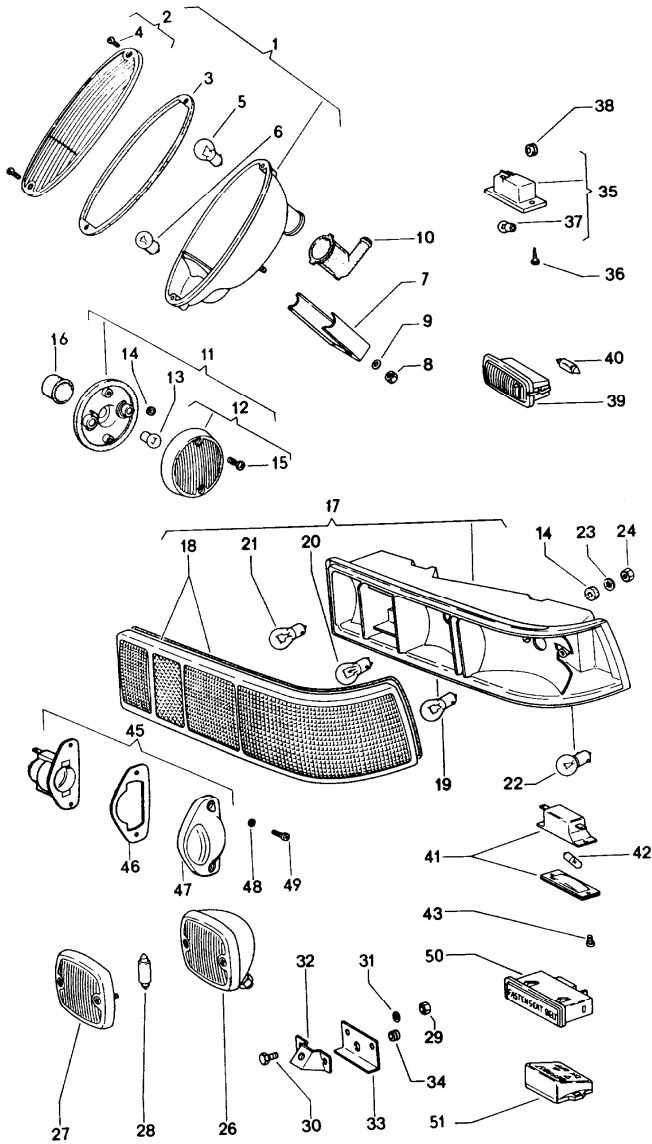
|       |      |    |    |              |              |     |              |            |         |     |         |
|-------|------|----|----|--------------|--------------|-----|--------------|------------|---------|-----|---------|
| Model | Year | MG | SG | Illustration | Restrictions | UPD | 18:31        | 30.01.2010 | PORSCHE | PET | PORSCHE |
| 914   | 1976 | 9  | 05 | 905-00       |              | 248 | USA / CANADA |            |         |     |         |

| Pos  | Part Number    | Description   | Remark | Qty | Model | Pos  | Part Number    | Description   | Remark | Qty | Model |
|------|----------------|---|--------|-----|-------|------|----------------|---|--------|-----|-------|
| 39   | 900 143 007 02 | tapping screw<br>B 4,2 X 13   |        | 4   |       | (44) | 914 631 922 10 | light-diffusing lens<br>white<br>for<br>H 3 + H 1   |        | 2   |       |
| 40   | 914 631 131 10 | high-beam headlight<br>H 3<br>white<br>without<br>bulb<br>not for<br>914-1,8      | -74    | 2   |       | (44) | 914 631 930 10 | light-diffusing lens<br>yellow<br>for<br>H 3<br>high-beam headlight<br>not for<br>914-1,8                       |        | 2   |       |
| (40) | 914 631 134 11 | fog headlamp<br>light-diffusing lens<br>white<br>without<br>bulb                  | -74    | 2   |       | (44) | 914 631 952 10 | light-diffusing lens<br>white<br>for<br>H 3 + H 1<br>fog headlamp<br>not for<br>914-1,8                         |        | 2   |       |
| 41   | 900 631 130 90 | bulb<br>D 12 V - 35 W<br>for<br>fog headlamp                                      |        | 2   |       | -    | 914 631 976 00 | reflector<br>with<br>light-diffusing lens<br>for<br>high-beam headlight<br>914.631.131.10<br>not for<br>914-1,8 |        | 2   |       |
| 42   | 900 631 126 90 | halogen bulb<br>H 3<br>YC 6/12 V - 55 W<br>not for<br>914-1,8                     |        | 2   |       | -    | 914 631 977 00 | reflector<br>with<br>light-diffusing lens<br>for<br>fog headlamp<br>914.631.136.10<br>not for<br>914-1,8        |        | 2   |       |
| (42) | 900 631 125 90 | halogen bulb<br>H 1<br>VA 12 V - 55 W<br>not for<br>914-1,8                       |        | 2   |       | 45   | 914 631 925 10 | retaining ring  |        | 2   |       |
| 43   | 914 631 914 10 | gasket<br>for<br>fog headlamp   |        | 2   |       | (45) | 914 631 917 10 | retaining ring  |        | 2   |       |
| (43) | 914 631 923 10 | gasket<br>for<br>high-beam headlight<br>and<br>fog headlamp<br>not for<br>914-1,8 |        | 2   |       | 46   | 914 631 924 10 | tensioning spring   |        | 8   |       |
| 44   | 914 631 913 11 | light-diffusing lens<br>white<br>for<br>additional headlamp                       |        | 2   |       | 47   | 914 631 961 10 | retainer spring   |        | 2   |       |
|      |                |   |        |     |       | 48   | 914 631 920 10 | oval-head screw<br>AM 4 X 10  |        | 2   |       |
|      |                |   |        |     |       | 49   | 914 631 029 10 | support   | /L M   | 1   |       |
|      |                |   |        |     |       | (49) | 914 631 030 10 | support   | /R M   | 1   |       |

|       |      |    |    |              |              |     |              |            |         |     |         |
|-------|------|----|----|--------------|--------------|-----|--------------|------------|---------|-----|---------|
| Model | Year | MG | SG | Illustration | Restrictions | UPD | 18:31        | 30.01.2010 | PORSCHE | PET | PORSCHE |
| 914   | 1976 | 9  | 05 | 905-00       |              | 248 | USA / CANADA |            |         |     |         |

| Pos | Part Number      | Description  | Remark | Qty | Model                   | Pos | Part Number    | Description                           | Remark | Qty | Model                   |
|-----|------------------|--|--------|-----|-------------------------|-----|----------------|---------------------------------------|--------|-----|-------------------------|
| 50  | 900 074 134 02   | hexagon-head bolt<br>M 8 X 45  |        | 2   |                         | -   | 481 941 715    | gasket                                |        | 2   | 914-1,8V/1,8<br>914-2,0 |
| 51  | N 012 241 1      | spring washer<br>B 8 X 15  |        | 2   |                         | -   | 900 631 126 90 | halogen bulb<br>H 3<br>YC 12 V - 55 W |        | 2   | 914-1,8V/1,8<br>914-2,0 |
| 52  | 900 186 125 02   | pan-head screw<br>M 10 X 16  |        | 2   |                         | -   | 914 631 188 00 | hexagon nut<br>M 8                    |        | 2   | 914-1,8V/1,8<br>914-2,0 |
| 53  | N 012 230 1      | spring washer<br>B 10<br>additional headlamp<br>bumper<br>front      | 75-    | 2   |                         | -   | 914 631 187 00 | threaded bolt                         |        | 2   | 914-1,8V/1,8<br>914-2,0 |
| -   | 914 631 184 00   | high-beam headlight  |        | 2   | 914-1,8V/1,8<br>914-2,0 | -   | 914 631 186 00 | retaining bar                         |        | 2   | 914-1,8V/1,8<br>914-2,0 |
| -   | 914 631 969 00   | light-diffusing lens<br>for<br>high-beam headlight<br>914.631.184.00 |        | 2   | 914-1,8V/1,8<br>914-2,0 | -   | 914 631 195 00 | threaded bolt                         |        | 2   | 914-1,8V/1,8<br>914-2,0 |
| -   | 914 631 974 00   | retaining ring<br>with<br>screw                                      |        | 2   | 914-1,8V/1,8<br>914-2,0 | -   | N 011 010 6    | hexagon nut<br>M 10                   |        | 2   | 914-1,8V/1,8<br>914-2,0 |
| -   | 481 941 713      | retaining ring<br>with<br>screw                                      |        | 2   | 914-1,8V/1,8<br>914-2,0 | -   | 900 025 008 02 | washer<br>A 10,5                      |        | 2   | 914-1,8V/1,8<br>914-2,0 |
| -   | A 914 631 975 00 | gasket   |        | 2   | 914-1,8V/1,8<br>914-2,0 | -   | 900 027 016 02 | lock ring<br>B 10                     |        | 2   | 914-1,8V/1,8<br>914-2,0 |
| -   | 481 941 715      | gasket   |        | 2   | 914-1,8V/1,8<br>914-2,0 |     |                |                                       |        |     |                         |
| -   | 914 631 181 00   | fog headlamp   |        | 2   | 914-1,8V/1,8<br>914-2,0 |     |                |                                       |        |     |                         |
| -   | A 481 941 719    | washer<br>for<br>fog headlamp<br>914.631.181.00                      |        | 2   | 914-1,8V/1,8<br>914-2,0 |     |                |                                       |        |     |                         |
| -   | 481 941 719      | light-diffusing lens<br>for<br>fog headlamp<br>914.631.181.00        |        | 2   | 914-1,8V/1,8<br>914-2,0 |     |                |                                       |        |     |                         |
| -   | 914 631 974 00   | retaining ring<br>with<br>screw                                      |        | 2   | 914-1,8V/1,8<br>914-2,0 |     |                |                                       |        |     |                         |
| -   | 481 941 713      | retaining ring<br>with<br>screw                                      |        | 2   | 914-1,8V/1,8<br>914-2,0 |     |                |                                       |        |     |                         |

|       |      |    |    |              |              |     |              |            |         |     |         |
|-------|------|----|----|--------------|--------------|-----|--------------|------------|---------|-----|---------|
| Model | Year | MG | SG | Illustration | Restrictions | UPD | 18:31        | 30.01.2010 | PORSCHE | PET | PORSCHE |
| 914   | 1976 | 9  | 05 | 905-05       |              | 248 | USA / CANADA |            |         |     |         |



| Pos  | Part Number    | Description                      | Remark       | Qty | Model |
|------|----------------|----------------------------------|--------------|-----|-------|
|      |                | lights                           |              |     |       |
| (1)  | 914 631 401 11 | direction indicator light        |              | 2   |       |
| (2)  | 914 631 934 11 | lens                             |              | 2   |       |
| 3    | 914 631 957 10 | rubber seal                      |              | 2   |       |
| 4    | 914 631 958 10 | oval-head screw                  |              | 4   |       |
| 5    | 900 631 127 90 | bulb<br>RL 12 V - 21 W           |              | 2   |       |
| (5)  | 900 631 128 90 | bulb<br>SL 12 V - 21 W / 5 W     | (I) (USA)    | 2   |       |
| (5)  | 999 631 115 90 | bulb<br>12 V, 32/3 CP            | WW (I) (USA) | 2   |       |
| 6    | 900 631 104 90 | bulb<br>G 12 V, 5 W              |              | 2   |       |
| 7    | 914 631 215 10 | clamp                            |              | 2   |       |
| 8    | 900 045 005 02 | hexagon nut<br>M 6               |              | 2   |       |
| 9    | N 042 121 1    | shake-proof washer<br>J 6,4      |              | 2   |       |
| 10   | 914 631 217 10 | grommet                          |              | 2   |       |
| 11   | 914 631 405 00 | side marker light                | /L           | 1   |       |
| (11) | 914 631 408 00 | side marker light                | /R           | 1   |       |
| 12   | -              | lens                             | /L           | 1   |       |
| (12) | 914 631 946 00 | lens                             | /R           | 1   |       |
| (13) | 999 631 104 91 | bulb<br>12 V, 2 CP               |              | 2   |       |
| 14   | 914 631 910 00 | rubber washer<br>3,5             |              | 4   |       |
| 15   | 914 631 909 00 | oval-head screw<br>BM 4 X 17 X 8 |              | 4   |       |
| 16   | 914 631 218 10 | protection cap                   |              | 2   |       |
| (17) | 914 631 403 14 | rear light                       | /L           | 1   |       |
| (17) | 914 631 404 14 | rear light                       | /R           | 1   |       |
| (18) | 914 631 939 11 | lens                             | /L           | 1   |       |

|       |      |    |    |              |              |     |              |            |         |     |         |
|-------|------|----|----|--------------|--------------|-----|--------------|------------|---------|-----|---------|
| Model | Year | MG | SG | Illustration | Restrictions | UPD | 18:31        | 30.01.2010 | PORSCHE | PET | PORSCHE |
| 914   | 1976 | 9  | 05 | 905-05       |              | 248 | USA / CANADA |            |         |     |         |

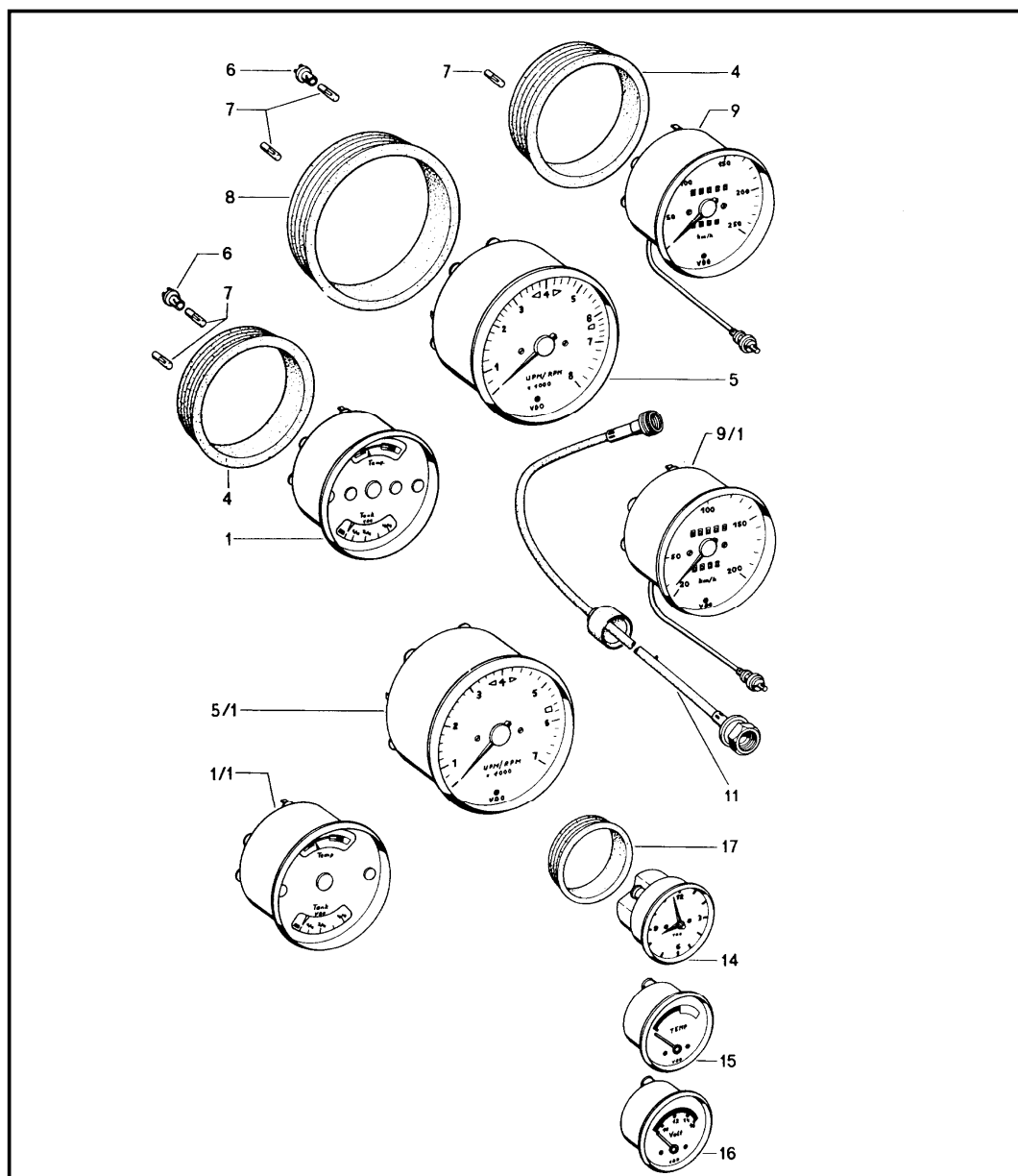
| Pos  | Part Number    | Description  | Remark | Qty | Model                       | Pos  | Part Number    | Description                              | Remark | Qty | Model                    |
|------|----------------|--|--------|-----|-----------------------------|------|----------------|--|--------|-----|--------------------------|
| (18) | 914 631 940 11 | lens   | /R     | 1   |                             | 31   | N 042 121 1    | shake-proof washer<br>J 6,4              |        | 2   |                          |
| 19   | 900 631 127 90 | bulb<br>RL 12 V, 21 W                                      |        | 2   |                             | 32   | 914 631 161 10 | support                                  |        | 1   |                          |
| (19) | 900 631 127 90 | bulb<br>12 V, 32 CP  | WW     | 2   |                             | 33   | 914 631 162 10 | desk pad                                 |        | 1   |                          |
| 20   | 900 631 128 90 | bulb<br>SL 12 V, 21 / 5 W                                  |        | 2   |                             | 34   | 999 702 011 50 | rubber sleeve                            |        | 1   |                          |
| (20) | 999 631 115 90 | bulb<br>12 V, 32 / 3 CP                                    | WW     | 2   |                             | 35   | 914 631 601 00 | license plate light<br>complete          | -74    | 2   |                          |
| 21   | 900 631 110 90 | bulb<br>E 12 V, 25 W                                       |        | 2   | 914-6/4                     | 36   | 900 143 016 02 | oval-head sheetmetal screw<br>B 3,5 X 16 | -74    | 4   |                          |
| (21) | 900 631 127 90 | bulb<br>RL 12 V, 21 W<br>not for<br>(F)                    |        | 2   | 914-1,7/1,8V<br>914-1,8/2,0 | 37   | 900 631 103 90 | bulb<br>HL 12 V, 4 W                     | -74    | 2   |                          |
| (21) | 900 631 127 90 | bulb<br>12 V, 32 CP  | WW     | 2   |                             | 38   | 111 971 911 A  | rubber sleeve                            | -74    | 2   |                          |
| 22   | 900 631 103 90 | bulb<br>HL 12 V, 4 W                                       |        | 2   |                             | 39   | 111 947 111 D  | interior light                           |        | 1   |                          |
| (22) | 999 631 104 91 | bulb<br>12 V, 2 CP   | WW     | 2   |                             | 40   | 900 631 106 90 | linolite lamp<br>K 12 V, 10 W            |        | 1   |                          |
| 23   | N 042 121 1    | shake-proof washer<br>J 6,4                                |        | 8   |                             | 41   | 901 631 601 00 | luggage compartment lamp                 |        | 1   |                          |
| 24   | 900 045 005 02 | hexagon nut<br>M 6   |        | 8   |                             | 42   | 900 631 103 90 | bulb<br>HL 12 V, 4 W                     |        | 1   |                          |
| 25   | 999 704 107 50 | shim   |        | 8   |                             | 43   | 900 146 011 02 | oval-head screw<br>AM 4 X 10             |        | 2   |                          |
| 26   | 901 631 251 00 | rear fog light<br>picture<br>26 - 34<br>not for<br>914-1,8 |        | 1   |                             | 45   | 911 631 620 04 | license plate light                      | 75-    | 2   |                          |
| 27   | 911 631 251 29 | rear fog light   |        | 1   |                             | 46   | 911 631 608 00 | gasket                                   | 75-    | 2   |                          |
| 28   | 900 631 123 90 | linolite lamp<br>K 12 V, 18 W                              |        | 1   |                             | -    | 900 631 104 90 | bulb<br>G 12 V - 5 W                     | 75-    | 2   |                          |
| 29   | 900 076 010 02 | hexagon nut<br>M 6   |        | 2   |                             | 47   | 911 631 606 00 | lens                                     | 75-    | 2   |                          |
| 30   | 900 075 159 02 | hexagon-head bolt<br>M 6 X 12                              |        | 2   |                             | 48   | 911 631 604 00 | sealing washer                           | 75-    | 4   |                          |
|      |                |  |        |     |                             | 49   | N 013 944 3    | tapping screw<br>BZ 2,9 X 19             | 75-    | 4   |                          |
|      |                |  |        |     |                             | 50   | 911 632 012 00 | indicator light<br>FASTEN SEAT BELT      | 72-    | 1   | 914-4/1,7<br>914-2,0     |
|      |                |  |        |     |                             | (50) | 911 632 012 01 | indicator light<br>FASTEN SEAT BELT      | 74-    | 1   |                          |
|      |                |  |        |     |                             | -    | 900 631 129 90 | bulb<br>W 2 X 4,6 D 12 V - 1,2 W         |        | 1   | 914-4/1,7<br>914-1,8/2,0 |

|       |      |    |    |              |              |     |              |            |         |     |         |
|-------|------|----|----|--------------|--------------|-----|--------------|------------|---------|-----|---------|
| Model | Year | MG | SG | Illustration | Restrictions | UPD | 18:31        | 30.01.2010 | PORSCHE | PET | PORSCHE |
| 914   | 1976 | 9  | 05 | 905-05       |              | 248 | USA / CANADA |            |         |     |         |

| Pos | Part Number    | Description                              | Remark | Qty | Model                    | Pos | Part Number | Description | Remark | Qty | Model |
|-----|----------------|--|--------|-----|--------------------------|-----|-------------|-------------|--------|-----|-------|
| 51  | 914 632 107 00 | light<br>logo<br>heating                 |        | 1   | 914-4/1,7<br>914-1,8/2,0 |     |             |             |        |     |       |
| -   | 900 631 129 90 | bulb<br>W 2 X 4,6 D 12 V - 1,2 W         |        | 1   | 914-4/1,7<br>914-1,8/2,0 |     |             |             |        |     |       |
| -   | N 043 931 1    | oval-head sheetmetal screw<br>B 2,9 X 16 |        | 2   | 914-4/1,7<br>914-1,8/2,0 |     |             |             |        |     |       |



|       |      |    |    |              |              |     |              |            |         |     |         |
|-------|------|----|----|--------------|--------------|-----|--------------|------------|---------|-----|---------|
| Model | Year | MG | SG | Illustration | Restrictions | UPD | 18:31        | 30.01.2010 | PORSCHE | PET | PORSCHE |
| 914   | 1976 | 9  | 06 | 906-00       |              | 248 | USA / CANADA |            |         |     |         |



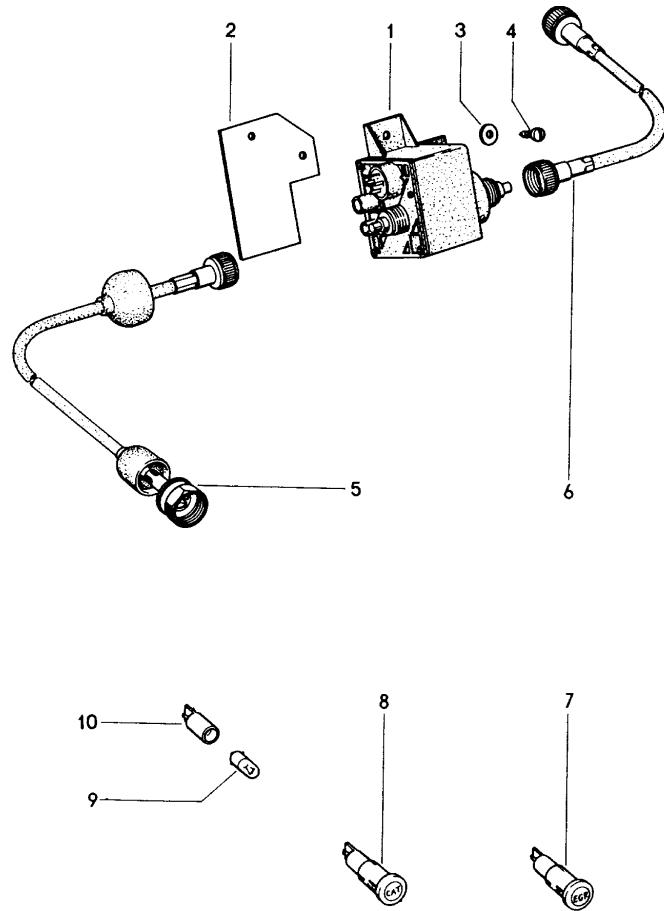
| Pos   | Part Number    | Description  | Remark | Qty | Model                   |
|-------|----------------|--|--------|-----|-------------------------|
|       |                | instruments  |        |     |                         |
| 1     | 914 641 101 20 | instrument cluster                                       |        | 1   | 914-6                   |
| (1)   | 914 641 101 30 | instrument cluster<br>for cars without<br>centre console |        | 1   | 914-2,0                 |
| (1)   | 914 641 101 50 | instrument cluster<br>for cars without<br>centre console | 74-    | 1   | 914-2,0                 |
| 1/1   | 914 641 102 40 | instrument cluster                                       | -73    | 1   | 914-4/1,7               |
| 1/1   | 914 641 102 40 | instrument cluster                                       | -73    | 1   | 914-2,0                 |
| (1/1) | 914 641 102 50 | instrument cluster                                       | 74-    | 1   | 914-1,8V/1,8            |
| (1/1) | 914 641 102 50 | instrument cluster                                       | 74-    | 1   | 914-2,0                 |
| -     | 914 631 179 10 | bulb socket<br>2-pole<br>for<br>instrument cluster       |        | 3   | 914-1,8V/1,8<br>914-2,0 |
| 4     | 911 641 902 00 | rubber ring<br>\$ 100                                    |        | 2   |                         |
| 5     | 914 641 301 10 | tachometer   |        | 1   | 914-6                   |
| 5/1   | 914 641 302 10 | tachometer   | -73    | 1   | 914-4/1,7<br>914-2,0    |
| (5/1) | 914 641 302 12 | tachometer   | 74-    | 1   | 914-1,8V/1,8<br>914-2,0 |
| 6     | 999 632 009 10 | bulb socket<br>2-pole<br>for<br>instrument cluster       |        | 4   |                         |
| 7     | 900 631 102 90 | bulb<br>12 V - 2 W                                       |        | 13  |                         |
| 8     | 911 641 903 00 | rubber ring<br>\$ 115                                    |        | 1   |                         |
| 9     | 911 641 501 00 | speedometer<br>KM/H<br>for<br>tyre<br>165 X 15           |        | 1   | 914-6                   |
| (9)   | 911 641 506 00 | speedometer<br>MPH                                       |        | 1   | 914-6                   |

|       |      |    |    |              |              |     |              |            |         |     |         |
|-------|------|----|----|--------------|--------------|-----|--------------|------------|---------|-----|---------|
| Model | Year | MG | SG | Illustration | Restrictions | UPD | 18:31        | 30.01.2010 | PORSCHE | PET | PORSCHE |
| 914   | 1976 | 9  | 06 | 906-00       |              | 248 | USA / CANADA |            |         |     |         |

| Pos   | Part Number    | Description  | Remark | Qty | Model                   | Pos  | Part Number    | Description               | Remark | Qty | Model                       |
|-------|----------------|--|--------|-----|-------------------------|------|----------------|---------------------------|--------|-----|-----------------------------|
| 9/1   | 914 641 502 10 | speedometer<br>KM/H<br>for<br>tyre<br>155 X 15                     |        | 1   | 914-1,7                 | 14   | 914 641 119 10 | clock                     |        | 1   | 914-1,7/1,8V<br>914-1,8/2,0 |
| (9/1) | 914 641 503 11 | speedometer<br>MPH<br>for<br>tyre<br>155 X 15                      |        | 1   | 914-1,7                 | 15   | 914 641 118 20 | oil temperature gauge     | -73    | 1   | 914-1,7/2,0                 |
| (9/1) | 914 641 504 10 | speedometer<br>KM/H<br>for<br>tyre<br>165 X 15                     |        | 1   | 914-4/1,7               | (15) | 914 641 118 30 | oil temperature gauge     | 74-    | 1   | 914-1,8V/1,8<br>914-2,0     |
| (9)   | 914 641 504 20 | speedometer<br>KM/H  | -73    | 1   | 914-2,0                 | 16   | 914 641 115 10 | indicator<br>battery      |        | 1   | 914-1,7/1,8V<br>914-1,8/2,0 |
| (9)   | 914 641 504 30 | speedometer<br>KM/H<br>not for                                     | 74-    | 1   | 914-1,8V/2,0            | 17   | 911 641 909 00 | rubber ring<br>\$ 60      |        | 3   | 914-1,7/1,8V<br>914-1,8/2,0 |
| -     | 999 632 017 02 | bulb socket<br>single pole<br>for<br>speedometer<br>position light | (J)    | 1   | 914-1,8V/1,8<br>914-2,0 | -    | 914 641 121 00 | knob<br>for<br>trip meter |        | 1   |                             |
| -     | 111 957 397    | bulb socket<br>for<br>speedometer                                  |        | 2   | 914-1,8V/1,8<br>914-2,0 |      |                |                           |        |     |                             |
| -     | 900 631 102 90 | bulb<br>for<br>speedometer   |        | 2   | 914-1,8V/1,8<br>914-2,0 |      |                |                           |        |     |                             |
| (9/1) | 914 641 505 20 | speedometer<br>MPH<br>for<br>tyre<br>165 X 15                      |        | 1   | 914-4                   |      |                |                           |        |     |                             |
| (9/1) | 914 641 505 20 | speedometer<br>MPH   | -73    | 1   | 914-4/1,7<br>914-2,0    |      |                |                           |        |     |                             |
| (9)   | 914 641 505 30 | speedometer<br>MPH   | 74-    | 1   | 914-1,8/2,0             |      |                |                           |        |     |                             |
| 11    | 914 641 111 00 | drive shaft<br>3530 MM   |        | 1   |                         |      |                |                           |        |     |                             |
| -     | 999 513 008 40 | tie-wrap<br>100  |        | 1   |                         |      |                |                           |        |     |                             |

|       |      |    |    |              |              |     |              |            |         |     |         |
|-------|------|----|----|--------------|--------------|-----|--------------|------------|---------|-----|---------|
| Model | Year | MG | SG | Illustration | Restrictions | UPD | 18:32        | 30.01.2010 | PORSCHE | PET | PORSCHE |
| 914   | 1976 | 9  | 09 | 909-00       |              | 248 | USA / CANADA |            |         |     |         |

Ab Mod. 75



| Pos | Part Number    | Description  | Remark | Qty | Model       |
|-----|----------------|--|--------|-----|-------------|
|     |                | catalytic converter<br>counter switch<br>indicator light     | 75-    |     | 914-1,8/2,0 |
| 1   | 914 641 123 10 | counter switch   |        | 1   | (CAL)       |
| 2   | 914 641 124 10 | desk pad   |        | 1   |             |
| 3   | N 011 692 1    | washer<br>5,1  |        | 2   |             |
| 4   | N 013 968 3    | tapping screw<br>B 4,8 X 13                                  |        | 2   |             |
| 5   | 914 641 111 10 | drive shaft<br>2620 MM<br>transmission<br>counter switch     |        | 1   |             |
| 6   | 914 641 111 20 | drive shaft<br>1350 MM<br>speedometer<br>counter switch      |        | 1   |             |
| 7   | 914 632 113 10 | indicator light<br>(EGR)<br>for<br>exhaust gas recirculation |        | 1   |             |
| 8   | 914 632 113 20 | indicator light<br>(CAT)<br>for<br>catalytic converter       |        | 1   |             |
| 9   | 900 631 129 90 | bulb<br>W 12 V - 1,2 W                                       |        | 2   |             |
| 10  | 111 919 243    | bulb socket  |        | 2   |             |
| -   | 043 906 086    | switch unit<br>for<br>catalytic converter                    |        | 1   |             |
| -   | 473 867 471    | sealing ring   |        | 1   |             |
| -   | N 013 970 5    | tapping screw<br>B 4,8 X 9,5                                 |        | 1   |             |
| -   | N 106 568 02   | tapping screw<br>B 4,8 X 9,5                                 |        | 1   |             |
| -   | 914 612 109 20 | wiring harness<br>with<br>relay carrier                      |        | 1   |             |

|       |      |    |    |              |              |     |              |            |         |     |         |
|-------|------|----|----|--------------|--------------|-----|--------------|------------|---------|-----|---------|
| Model | Year | MG | SG | Illustration | Restrictions | UPD | 18:32        | 30.01.2010 | PORSCHE | PET | PORSCHE |
| 914   | 1976 | 9  | 09 | 909-00       |              | 248 | USA / CANADA |            |         |     |         |

| Pos | Part Number    | Description                                      | Remark | Qty | Model | Pos | Part Number | Description | Remark | Qty | Model |
|-----|----------------|--|--------|-----|-------|-----|-------------|-------------|--------|-----|-------|
| -   | 914 618 109 10 | temperature sensor<br>for<br>catalytic converter |        | 1   |       |     |             |             |        |     |       |

|       |      |    |    |              |              |     |              |            |
|-------|------|----|----|--------------|--------------|-----|--------------|------------|
| Model | Year | MG | SG | Illustration | Restrictions | UPD | 18:32        | 30.01.2010 |
| 914   | 1976 | 9  | 98 | 998-00R      |              | 248 | USA / CANADA |            |

| Pos | Part Number      | Description  | Remark | Qty | Model |
|-----|------------------|--|--------|-----|-------|
| >>  | >>914 645 909 10 | accessories<br>radio<br>fog headlamp<br>headlamp<br>H 4<br><br>installation set<br>for<br>- BLAUPUNKT -<br>radio<br>without<br>radio<br>antenna<br>suppression set |        | 1   | 914-6 |
| -   | 914 645 911 00   | suppression set<br>for<br>- BLAUPUNKT -<br>radio   |        | 1   | 914-6 |
| -   | 914 645 503 10   | loudspeaker<br>8 OHM   |        | 2   | 914-6 |
| >>  | >>473 035 605    | accessories<br>for<br>- VW -<br>car radio<br>not for<br>TYP 914-6<br>installation set<br>comprising:   |        | 1   |       |
| -   | 914 645 503 10   | loudspeaker<br>8 OHM   |        | 2   |       |
| -   | 914 612 055 10   | cable for loudspeaker<br>NR. 22  |        | 1   |       |
| -   | 900 189 011 02   | half-round screw<br>AM 4 X 8   |        | 8   |       |
| -   | 900 025 002 02   | washer<br>4,3  |        | 8   |       |
| -   | 999 025 106 50   | rubber washer<br>10 X 3,8 X 4  |        | 8   |       |
| -   | N 010 205 6      | hexagon-head bolt<br>M 5 X 10  |        | 1   |       |
| -   | N 012 225 2      | spring washer<br>B 5   |        | 1   |       |
| -   | 999 507 320 02   | nut lock clip<br>M 5   |        | 1   |       |
| -   | N 021 196 1      | lock nut<br>M 5  |        | 1   |       |

PORSCHE

PET

PORSCHE

|       |      |    |    |              |              |     |              |            |
|-------|------|----|----|--------------|--------------|-----|--------------|------------|
| Model | Year | MG | SG | Illustration | Restrictions | UPD | 18:32        | 30.01.2010 |
| 914   | 1976 | 9  | 98 | 998-00R      |              | 248 | USA / CANADA |            |

| Pos | Part Number      | Description  | Remark | Qty | Model |
|-----|------------------|--|--------|-----|-------|
| -   | 900 025 003 02   | washer<br>A 5,3  |        | 1   |       |
| -   | 914 645 159 10   | support<br>for<br>radio  |        | 1   |       |
| -   | 914 612 053 10   | wiring harness<br>NR. 21   |        | 1   |       |
| -   | 914 552 040 10   | cover  |        | 1   |       |
| -   | 111 971 911 A    | rubber sleeve  |        | 2   |       |
| >>  | >>473 035 655    | suppression set<br>for<br>car radio<br>WOLFSBURG<br>EMDEN<br>BRAUNSCHWEIG<br>HANNOVER<br>not for<br>TYP 914-6<br>comprising: |        | 1   |       |
| -   | 111 035 267 A    | suppressor condenser<br>for<br>ignition coil   |        | 1   |       |
| -   | 411 035 265      | suppressor condenser   |        | 1   |       |
| -   | 036 035 281      | suppression connector  |        | 5   |       |
| -   | 043 903 803 B    | regulator switch<br>shielded   |        | 1   |       |
| -   | 914 612 141 10   | ground strap<br>engine<br>lid hinge  |        | 1   |       |
| >>  | >>914 631 959 10 | fog headlamp<br>set<br>for subsequent installation<br>comprising:  |        | 1   |       |
| -   | 914 631 134 11   | fog headlamp   |        | 2   |       |
| -   | 900 631 130 90   | bulb<br>D 12 V - 35 W  |        | 2   |       |
| -   | 914 631 029 10   | support  | /L     | 1   |       |
| -   | 914 631 030 10   | support  | /R     | 1   |       |
| -   | 900 074 134 02   | hexagon-head bolt<br>M 8 X 45  |        | 2   |       |
| -   | N 012 241 1      | spring washer<br>B 8 X 15  |        | 2   |       |

PORSCHE

PET

PORSCHE

|       |      |    |    |              |              |     |              |            |
|-------|------|----|----|--------------|--------------|-----|--------------|------------|
| Model | Year | MG | SG | Illustration | Restrictions | UPD | 18:32        | 30.01.2010 |
| 914   | 1976 | 9  | 98 | 998-00R      |              | 248 | USA / CANADA |            |

| Pos | Part Number      | Description  | Remark | Qty | Model |
|-----|------------------|--|--------|-----|-------|
| -   | 900 075 035 02   | hexagon-head bolt<br>M 10 X 15   |        | 2   |       |
| -   | N 012 230 1      | spring washer<br>B 10  |        | 2   |       |
| -   | A 914 613 030 10 | switch for rear fog light<br>complete                                      |        | 1   |       |
| -   | 914 613 030 15   | switch for rear fog light<br>complete                                      |        | 1   |       |
| -   | 911 615 109 01   | standard type relay  |        | 1   |       |
| -   | 914 559 235 10   | grille   | /L     | 1   |       |
| -   | 914 559 236 10   | grille   | /R     | 1   |       |
| -   | N 900 488 01     | speed nut<br>B 3,5   |        | 8   |       |
| -   | 900 143 033 02   | oval-head sheetmetal screw<br>B 3,5 X 13                                   |        | 8   |       |
| >>  | >>914 631 963 00 | headlamp<br>H 4<br>conversion set<br>not for<br>TYP 914-1,8<br>comprising: | /LL M  | 1   |       |
| -   | 914 631 163 00   | insert   |        | 2   |       |
| -   | 999 631 202 90   | halogen bulb<br>white  |        | 2   |       |
| -   | 911 631 108 00   | terminal sleeve housing<br>triple  |        | 2   |       |
| -   | 901 631 123 02   | rubber cap   |        | 2   |       |

|       |      |    |    |              |         |        |       |            |
|-------|------|----|----|--------------|---------|--------|-------|------------|
| Model | Year | MG | SG | Illustration | VIN No. | Update | 14:43 | 01.08.2008 |
| 914   | 76   |    |    |              |         | 229    |       |            |

EQUIPMENT BY COUNTRY REGULATIONS

=====

- (A) AUSTRIA
- (AUS) AUSTRALIA
- (B) BELGIUM
- (CDN) CANADA
- (CH) SWITZERLAND
- (D) FEDERAL REPUBLIC OF GERMANY
- (DK) DENMARK
- (E) SPAIN
- (F) FRANCE
- (GB) GREAT BRITAIN
- (GR) GREECE
- (HK) HONGKONG
- (I) ITALY
- (J) JAPAN
- (L) LUXEMBURG



| Model | Year | MG | SG | Illustration | VIN No. | Update |       |            |
|-------|------|----|----|--------------|---------|--------|-------|------------|
| 914   | 76   |    |    |              |         | 229    | 14:43 | 01.08.2008 |

(N) NORWAY

(NL) NETHERLANDS

(NZ) NEW ZEALAND

(P) PORTUGAL

(RC) TAIWAN

(S) SWEDEN

(SA) SAUDI ARABIA

(SF) FINLAND

(USA) UNITED STATES OF AMERICA

(ZA) SOUTH AFRICA

|              |            |    |    |              |         |               |       |            |
|--------------|------------|----|----|--------------|---------|---------------|-------|------------|
| Model<br>914 | Year<br>76 | MG | SG | Illustration | VIN No. | Update<br>229 | 14:43 | 01.08.2008 |
|--------------|------------|----|----|--------------|---------|---------------|-------|------------|

IN COLUMN - A -

-----

IDENTIFICATION LETTER FOR PERIOD OF INSTALLATION  
THAT IS REPEATED SEVERAL TIMES IN THE CATALOG GROUP.

EXPLANATION PLEASE FIND IN TEXT COLUMN OF THE CATALOG GROUP

IN COLUMN - QU - = NO. OF PIECES

-----

- 1 NUMBER PER APPLICATION
- X NUMBER AS NEEDED
- \* AVAILABLE ONLY IN RUNNING LENGTHS 1 = 1 METRE

IN COLUMN - MODEL/SYMBOL -

-----

-76 LIMITATION OF MODEL YEAR FOR INSTANCE: VALID UP TO  
END OF MODEL YEAR 1976

- /LL LHD
- /RL RHD
- +
- /V FRONT I
- I
- /H REAR I

|       |      |    |    |              |         |        |       |            |
|-------|------|----|----|--------------|---------|--------|-------|------------|
| Model | Year | MG | SG | Illustration | VIN No. | Update | 14:43 | 01.08.2008 |
| 914   | 76   |    |    |              |         | 229    |       |            |

I---> APPLIES TO

/L            LEFT    I        DIRECTION OF TRAVEL

I

/R            RIGHT   I

-----+

SPM           SPORTOMATIC

M             SUMMARY OF OPTIONAL EXTRAS

| Model | Year | MG | SG | Illustration | VIN No. | Update |       |            |
|-------|------|----|----|--------------|---------|--------|-------|------------|
| 914   | 76   |    |    |              |         | 229    | 14:43 | 01.08.2008 |

## LEGENDS AND NOTICES

=====

## IN COLUMN -S- STATUS

-----

- N NEW ADDITION
- P PART ALREADY IN PROGRAMME, BUT NEW  
AT THIS APPLICATION
- E THIS PART NO. IS NO LONGER AVAILABLE FROM PORSCHÉ
- W DELETED AT THIS APPLICATION, BUT CONTINUED, TO BE CARRIED
- A STOCK TO BE USED UP
- U DELETED WITHOUT REPLACEMENT
- \* PART ALSO OR ONLY AVAILABLE  
IN REPAIR KIT
- > ALSO AVAILABLE IN EXCHANGE

## IN COLUMN - ILL. -

-----

- 1 IDENTIFICATION NO. IN ILLUSTRATION
- (1) PART ONLY SIMILAR AS ILLUSTRATED

|       |      |    |    |              |         |        |       |            |
|-------|------|----|----|--------------|---------|--------|-------|------------|
| Model | Year | MG | SG | Illustration | VIN No. | Update | 14:43 | 01.08.2008 |
| 914   | 76   |    |    |              |         | 229    |       |            |

- PART IS NOT ILLUSTRATED

FIG.-NUMBERS FOR WHICH THERE IS SHOWN NO TEXT ARE  
NOT VALID FOR THIS EDITION OF CATALOGUE

IN COLUMN -PART NUMBER/CODE-

-----

000 000 000 00 PART NUMBER EQUALS ORDERING NO., IF A CODE IS  
SHOWN, IT WILL HAVE TO BE PART OF ORDERING  
NUMBER

01C COLOUR CODE

IN COLUMN -TEXT

-----

INSTALLATION WITH ENGINE OR CHASSIS  
NUMBER-RANGE

EXAMPLE:

M 640 0391 >> FROM ENGINE NO.

F >> 914043 0391 UP TO CHASSIS NO.

|       |      |    |    |              |         |        |       |            |
|-------|------|----|----|--------------|---------|--------|-------|------------|
| Model | Year | MG | SG | Illustration | VIN No. | Update |       |            |
| 914   | 76   |    |    |              |         | 229    | 14:42 | 01.08.2008 |

|                  |             | TRANSM. |                  |                |  |  |  |
|------------------|-------------|---------|------------------|----------------|--|--|--|
| VEHICLE TYPE     | TYPE        | MY      | TRANSMISSION NO. | TECHNICAL DATA |  |  |  |
| 914              | 914. 300.11 | 70 0    | HA0 000 001>>    | 5-SPEED        |  |  |  |
| 914              | 914. 300.11 | 70 0    | HBO 000 001>>    | 5-SPEED        |  |  |  |
|                  |             |         |                  | (LIM. SLIP     |  |  |  |
|                  |             |         |                  | DIFFERENTIAL)  |  |  |  |
| 914-6            | 914. 300.01 | 70 0    | 750 0001 >>      | 5-SPEED        |  |  |  |
| 914-6            | 914. 300.05 | 70 0    | 780 0001 >>      | 4-SPEED        |  |  |  |
|                  |             |         |                  | (SPORTOMATIC)  |  |  |  |
| 914              | 914. 300.11 | 70 0    | HA0 014 826>>    | 5-SPEED        |  |  |  |
| 914              | 914. 300.11 | 70 0    | HBO 000 004>>    | 5-SPEED        |  |  |  |
|                  |             |         |                  | (LIM. SLIP     |  |  |  |
|                  |             |         |                  | DIFFERENTIAL)  |  |  |  |
| 914-6            | 914. 300.01 | 71 1    | 751 0001 >>      | 5-SPEED        |  |  |  |
| 914-6            | 914. 300.05 | 71 1    | 761 0001 >>      | 4-SPEED        |  |  |  |
|                  |             |         |                  | (SPORTOMATIC)  |  |  |  |
| 914              | 914. 300.11 | 72 2    | HA0 030 094>>    | 5-SPEED        |  |  |  |
| 914-6            | 914. 300.01 | 72 2    | 752 0001 >>      | 5-SPEED        |  |  |  |
| 914-1,7/2,0      | 914. 300.12 | 73 3    | HA0 051 316>>    | 5-SPEED        |  |  |  |
| 914-1,8/1,8V/2,0 | 914. 300.12 | 74 4    | HA 13 08 3 >>    | 5-SPEED        |  |  |  |
| 914-1,8/1,8V/2,0 | 914. 300.12 | 75 5    | HA 05 08 4 >>    | 5-SPEED        |  |  |  |
| 914-1,8/1,8V/2,0 | 914. 300.12 | 76 6    | HA 05 08 5 >>    | 5-SPEED        |  |  |  |

|       |      |    |    |              |         |        |       |            |
|-------|------|----|----|--------------|---------|--------|-------|------------|
| Model | Year | MG | SG | Illustration | VIN No. | Update |       |            |
| 914   | 76   |    |    |              |         | 229    | 14:42 | 01.08.2008 |

EXPLANATION OF THE TRANSMISSION-NUMBERS USED IN THE CATALOGUE TYPE 914

=====

UP TO MODEL YEAR 1973

=====

DIGIT: 1 2 3 4 5 6 7 8 9

EXAMPLE: H A 0 0 0 0 3 9 1

= = =====

! ! !

TRANSMISSION TYPE-----+ ! !

! !

TRANSMISSION VERSION-----+ !

!

SERIAL NUMBER-----+

EXPLANATION OF THE TRANSMISSION-NUMBERS USED IN THE CATALOGUE TYPE 914

=====

FROM MODEL YEAR 1974

=====

DIGIT: 1 2 3 4 5 6 7

EXAMPLE: H A 0 8 1 2 4

= = === == =

! ! ! ! !

TRANSMISSION TYPE-----+ ! ! ! !

! ! ! !

TRANSMISSION VERSION-----+ ! ! !

! ! !

MANUFACTURING DAY-----+ ! !

|       |      |    |    |              |         |        |       |            |
|-------|------|----|----|--------------|---------|--------|-------|------------|
| Model | Year | MG | SG | Illustration | VIN No. | Update | 14:42 | 01.08.2008 |
| 914   | 76   |    |    |              |         | 229    |       |            |

MANUFACTURING MONTH-----+ ! !

MANUFACTURING YEAR-----+ !

EXPLANATION OF THE TRANSMISSION-NUMBERS USED IN THE CATALOGUE TYPE 914/6

=====

DIGIT: 1 2 3 4 5 6 7

EXAMPLE: 7 5 0 0 3 9 1

= = = =====  
! ! ! !

TRANSMISSION TYPE-----+ ! ! !

! ! !

TRANSMISSION VERSION-----+ ! !

! !

MODEL YEAR-----+ !

!

SERIAL NUMBER-----+ !



|              |            |    |    |              |         |               |       |            |
|--------------|------------|----|----|--------------|---------|---------------|-------|------------|
| Model<br>914 | Year<br>76 | MG | SG | Illustration | VIN No. | Update<br>229 | 14:42 | 01.08.2008 |
|--------------|------------|----|----|--------------|---------|---------------|-------|------------|

|              |             | ENGINE |      |               |  |                |
|--------------|-------------|--------|------|---------------|--|----------------|
| VEHICLE TYPE |             | TYPE   | MY   | ENGINE NO.    |  | TECHNICAL DATA |
| 914          |             | 022    | 70 0 | W0 000 001 >> |  | 4CYL/1,7L/59KW |
| 914-6        |             | 901.36 | 70 0 | 640 0001 >>   |  | 6CYL/2,0L/81KW |
| 914-6        | SPM         | 901.37 | 70 0 | 640 3001 >>   |  | 6CYL/2,0L/81KW |
| 914-6        | (USA)       | 901.38 | 70 0 | 640 4001 >>   |  | 6CYL/2,0L/81KW |
| 914-6        | (USA) SPM   | 901.39 | 70 0 | 640 7001 >>   |  | 6CYL/2,0L/81KW |
| 914          |             | 022    | 71 1 | W 057461 >>   |  | 4CYL/1,7L/59KW |
| 914-6        |             | 901.36 | 71 1 | 641 0001 >>   |  | 6CYL/2,0L/81KW |
| 914-6        | SPM         | 901.37 | 71 1 | 641 3001 >>   |  | 6CYL/2,0L/81KW |
| 914-6        | (USA)       | 901.38 | 71 1 | 641 4001 >>   |  | 6CYL/2,0L/81KW |
| 914-6        | (USA) SPM   | 901.39 | 71 1 | 641 7001 >>   |  | 6CYL/2,0L/81KW |
| 914          |             | 022    | 72 2 | W0 129 582 >> |  | 4CYL/1,7L/59KW |
| 914          |             | 022    | 72 2 | EA0 000 001>> |  | 4CYL/1,7L/59KW |
| 914-6        | (USA)       | 901.38 | 72 2 | 642 0001 >>   |  | 6CYL/2,0L/81KW |
| 914          |             | 022    | 73 3 | W0 170 001 >> |  | 4CYL/1,7L/59KW |
| 914          | (USA)       | 022    | 73 3 | EA0 057001 >> |  | 4CYL/1,7L/59KW |
| 914          | (CAL)       | 022    | 73 3 | EB0 000 001>> |  | 4CYL/1,7L/53KW |
| 914-2,0      | (USA)       | 039    | 73 3 | GA0 000 001>> |  | 4CYL/2,0L/70KW |
| 914-2,0      |             | 039    | 73 3 | GB0 000 001>> |  | 4CYL/2,0L/74KW |
| 914-1,8V     |             | 021    | 74 4 | AN0 000 001>> |  | 4CYL/1,8L/63KW |
| 914-1.8      | (USA) (CAL) | 022    | 74 4 | EC0 000 001>> |  | 4CYL/1.8L/56KW |
| 914-2,0      | (USA)       | 039    | 74 4 | GA0 006 766>> |  | 4CYL/2,0L/70KW |
| 914-2,0      |             | 039    | 74 4 | GB0 007 402>> |  | 4CYL/2,0L/74KW |

|              |            |    |    |              |         |               |       |            |
|--------------|------------|----|----|--------------|---------|---------------|-------|------------|
| Model<br>914 | Year<br>76 | MG | SG | Illustration | VIN No. | Update<br>229 | 14:42 | 01.08.2008 |
|--------------|------------|----|----|--------------|---------|---------------|-------|------------|

|                     |  |  |  |     |                    |                |  |  |
|---------------------|--|--|--|-----|--------------------|----------------|--|--|
| 914-1,8V            |  |  |  | 021 | 75 5 AN0 008 798>> | 4CYL/1,8L/63KW |  |  |
| 914-1,8 (USA) (CAL) |  |  |  | 022 | 75 5 EC0 037 552>> | 4CYL/1,8L/56KW |  |  |
| 914-2,0             |  |  |  | 039 | 75 5 GB0 009 822>> | 4CYL/2,0L/74KW |  |  |
| 914-2,0 (USA) (CAL) |  |  |  | 039 | 75 5 GC0 000 001>> | 4CYL/2,0L/65KW |  |  |
| 914-1,8V            |  |  |  | 021 | 76 6 AN0 008 899>> | 4CYL/1,8L/63KW |  |  |
| 914-1,8 (USA) (CAL) |  |  |  | 022 | 76 6 EC0 045 073>> | 4CYL/1,8L/56KW |  |  |
| 914-2,0             |  |  |  | 039 | 76 6 GB0 010 779>> | 4CYL/2,0L/74KW |  |  |
| 914-2,0             |  |  |  | 039 | 76 6 GC0 002 915>> | 4CYL/2,0L/65KW |  |  |

|       |      |    |    |              |         |        |       |            |
|-------|------|----|----|--------------|---------|--------|-------|------------|
| Model | Year | MG | SG | Illustration | VIN No. | Update | 14:42 | 01.08.2008 |
| 914   | 76   |    |    |              |         | 229    |       |            |

EXPLANATION OF THE MOTOR-NUMBERS USED IN THE CATALOGUE TYPE 914

=====

DIGIT: 1 2 3 4 5 6 7 8 9

EXAMPLE: E A 0 0 0 0 3 9 1

=== =====

! !

IDENTIFICATION LETTERS-----+ !

!

SERIAL NUMBER-----+

EXPLANATION OF THE MOTOR-NUMBERS USED IN THE CATALOGUE 914/6

=====

DIGIT: 1 2 3 4 5 6 7

EXAMPLE: 6 4 0 0 3 9 1

= = = =====

! ! ! !

ENGINE TYPE (6 = 6-CYL.-ENGINE)-----+ ! ! !

! ! !

ENGINE VERSION-----+ ! !

! !

MODEL YEAR-----+ !

!

SERIAL NUMBER-----+

|              |            |    |    |              |         |               |       |            |
|--------------|------------|----|----|--------------|---------|---------------|-------|------------|
| Model<br>914 | Year<br>76 | MG | SG | Illustration | VIN No. | Update<br>229 | 14:42 | 01.08.2008 |
|--------------|------------|----|----|--------------|---------|---------------|-------|------------|

| VEHICLE TYPE | MY   | VEHICLE IDENT NR. | ENGINE TYPE |
|--------------|------|-------------------|-------------|
| 914          | 70 0 | 47029 00001>>     | 022         |
| 914-6        | 70 0 | 91404 30001>>     | 901.36/37   |
| 914-6 (USA)  | 70 0 | 91404 30001>>     | 901.38/39   |
| 914          | 71 1 | 47129 00001>>     | 022         |
| 914-6        | 71 1 | 91414 30001>>     | 901.36/37   |
| 914-6 (USA)  | 71 1 | 91414 30001>>     | 901.38/39   |
| 914          | 72 2 | 47229 00001>>     | 022         |
| 914-6 (USA)  | 72 2 | 91424 30001>>     | 901.38      |
| 914-1.7      | 73 3 | 47329 00001>>     | 022         |
| 914-2.0      | 73 3 | 47329 00001>>     | 039         |
| 914-1.8      | 74 4 | 47429 00001>>     | 022         |
| 914-1.8V     | 74 4 | 47429 00001>>     | 021         |
| 914-2.0      | 74 4 | 47429 00001>>     | 039         |
| 914-1.8      | 75 5 | 47529 00001>>     | 022         |
| 914-1.8V     | 75 5 | 47529 00001>>     | 021         |
| 914-2.0      | 75 5 | 47529 00001>>     | 039         |
| 914-1.8      | 76 6 | 47629 00001>>     | 022         |
| 914-1.8V     | 76 6 | 47629 00001>>     | 021         |
| 914-2.0      | 76 6 | 47629 00001>>     | 039         |

|              |            |    |    |              |         |               |       |            |
|--------------|------------|----|----|--------------|---------|---------------|-------|------------|
| Model<br>914 | Year<br>76 | MG | SG | Illustration | VIN No. | Update<br>229 | 14:42 | 01.08.2008 |
|--------------|------------|----|----|--------------|---------|---------------|-------|------------|

EXPLANATION OF THE ABRIDGED VERSION OF THE VEHICLE IDENT. NUMBERS (VIN)

=====

USED IN THE CATALOGUE TYPE 914

=====

DIGIT:                                   1 2 3 4 5 6 7 8 9 10

EXAMPLE:                               4 7 0 2 9 0 0 0 0 1

==== = == =====

! ! ! !

VEHICLE TYPE-----+ ! ! !

! ! !

MODEL YEAR-----+ ! !

! !

INDEX OF VARIANTS-----+ !

!

SERIAL NUMBER-----+

EXPLANATION OF THE ABRIDGED VERSION OF THE VEHICLE IDENT. NUMBERS (VIN)

=====

USED IN THE CATALOGUE TYPE 914/6

=====

DIGIT:                                   1 2 3 4 5 6 7 8 9 10

EXAMPLE:                               9 1 4 0 4 3 0 0 0 1

===== = = =====

! ! ! !

VEHICLE TYPE-----+ ! ! !

! ! !

|       |      |    |    |              |         |        |       |            |
|-------|------|----|----|--------------|---------|--------|-------|------------|
| Model | Year | MG | SG | Illustration | VIN No. | Update |       |            |
| 914   | 76   |    |    |              |         | 229    | 14:42 | 01.08.2008 |

MODEL YEAR-----+ ! !  
! !  
BODY AND ENGINE VERSION-----+ !  
!  
SERIAL NUMBER-----+

| Model | Year | MG | SG | Illustration | VIN No. | Update |       |            |
|-------|------|----|----|--------------|---------|--------|-------|------------|
| 914   | 76   |    |    |              |         | 229    | 14:42 | 01.08.2008 |

THIS PARTS CATALOGUE CONTAINS ALL ORDER INFORMATION OF  
TYPES 914 FROM MODEL YEAR 1970 - 1976  
914-6 FROM MODEL YEAR 1972 - 1972

IT IS AVAILABLE IN TWO EDITIONS IN THE FOLLOWING LANGUAGES:

EDITION

USA, CANADA - \*

EDITION

ALL OTHER COUNTRIES - GERMAN

\* - ENGLISH

- FRENCH

- ITALIAN

- SPANISH

UPDATING IS BEING PERFORMED BY CHANGING OF UPDATE.

THE EDITION CAN BE RECOGNIZED BY THE CURRENT NO.  
IN THE BOTTOM LINE OF SUBJECT UPDATE.

THE PREVIOUS UPDATE SHOULD NO LONGER BE USED.

ALL ILLUSTRATIONS ARE SUBJECT TO CHANGE WITHOUT OBLIGATION.

WE RESERVE THE RIGHT TO SUPPLY A SUBSEQUENTLY

| Model | Year | MG | SG | Illustration | VIN No. | Update |       |            |
|-------|------|----|----|--------------|---------|--------|-------|------------|
| 914   | 76   |    |    |              |         | 229    | 14:42 | 01.08.2008 |

PRODUCED COMPONENT, ON WHICH ADDITIONAL WORK  
 IS NECESSARY, INSTEAD OF THE COMPONENT LISTED IN  
 THE CATALOGUE